



US00D880329S

(12) **United States Design Patent**  
**O'Reilly**

(10) **Patent No.:** **US D880,329 S**

(45) **Date of Patent:** **\*\* Apr. 7, 2020**

(54) **CONSTRUCTION SITE SECURITY POLE**

(71) Applicant: **Lawrence O'Reilly**, Ocala, FL (US)

(72) Inventor: **Lawrence O'Reilly**, Ocala, FL (US)

(\*\*) Term: **15 Years**

(21) Appl. No.: **29/663,129**

(22) Filed: **Sep. 12, 2018**

(51) **LOC (12) Cl.** ..... **10-05**

(52) **U.S. Cl.**  
USPC ..... **D10/121**

(58) **Field of Classification Search**  
USPC ..... D10/115, 113.4, 109.1, 109.2, 121  
CPC .... H01Q 1/246; F21V 23/0464; G08B 5/006;  
G08B 5/36; G08G 1/095; G08G 1/07;  
G09F 21/04; G09F 15/0062; E04H  
12/2238; E01F 9/65

See application file for complete search history.

(56) **References Cited**

**U.S. PATENT DOCUMENTS**

D265,468 S *	7/1982	Yeager	.....	D10/115
D275,188 S *	8/1984	McNaughton, Jr.	.....	D10/115
5,422,638 A *	6/1995	Singer	.....	G08G 1/095 116/63 P
6,104,313 A *	8/2000	Boyd, II	.....	E01F 9/65 116/63 R
6,474,617 B1 *	11/2002	Sahertian	.....	E04H 12/2238 248/519
6,622,408 B2 *	9/2003	Dicke	.....	G09F 15/0062 40/608
D487,406 S *	3/2004	Anderson	.....	D10/109.1
D490,336 S *	5/2004	Stoughton	.....	D10/115
7,006,792 B2 *	2/2006	Wilson	.....	G08B 5/36 340/300
D518,401 S *	4/2006	Hilton	.....	D10/115

D596,064 S *	7/2009	Marzette, Jr.	.....	D10/115
D598,317 S *	8/2009	Marzette, Jr.	.....	D10/115
D704,586 S *	5/2014	Williams	.....	D10/113.4
8,887,423 B1 *	11/2014	Morgan	.....	G08B 5/006 116/63 P
9,305,475 B2 *	4/2016	White	.....	G09F 21/04
9,601,012 B2 *	3/2017	Williams	.....	G08G 1/07
10,403,176 B1 *	9/2019	Ycedo	.....	F21V 23/0464
10,411,336 B1 *	9/2019	Schwartz	.....	H01Q 1/246

\* cited by examiner

*Primary Examiner* — George D. Kirschbaum

(74) *Attorney, Agent, or Firm* — The Rapacke Law Group, P.A.

(57) **CLAIM**

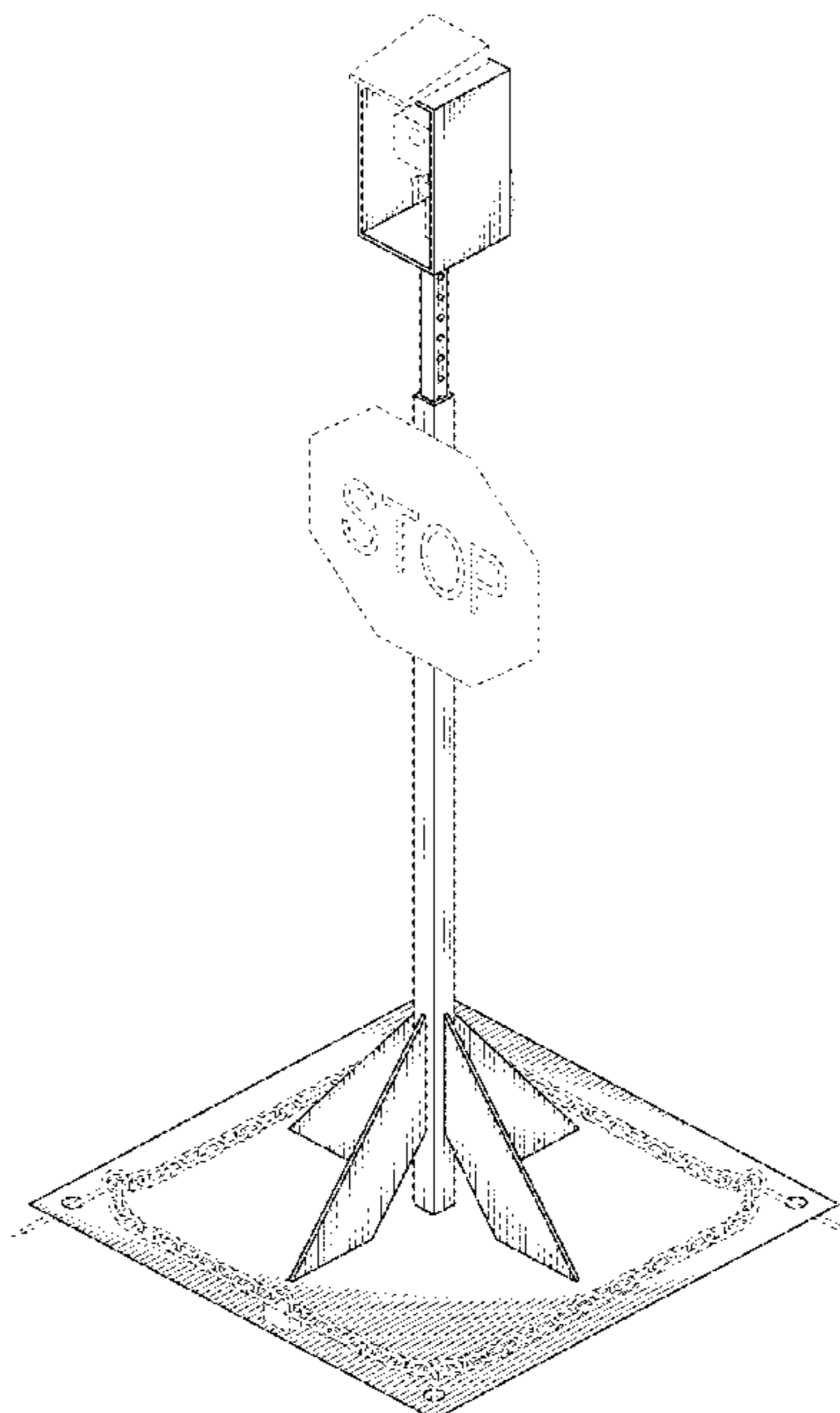
The ornamental design for a construction site security pole, as shown and described.

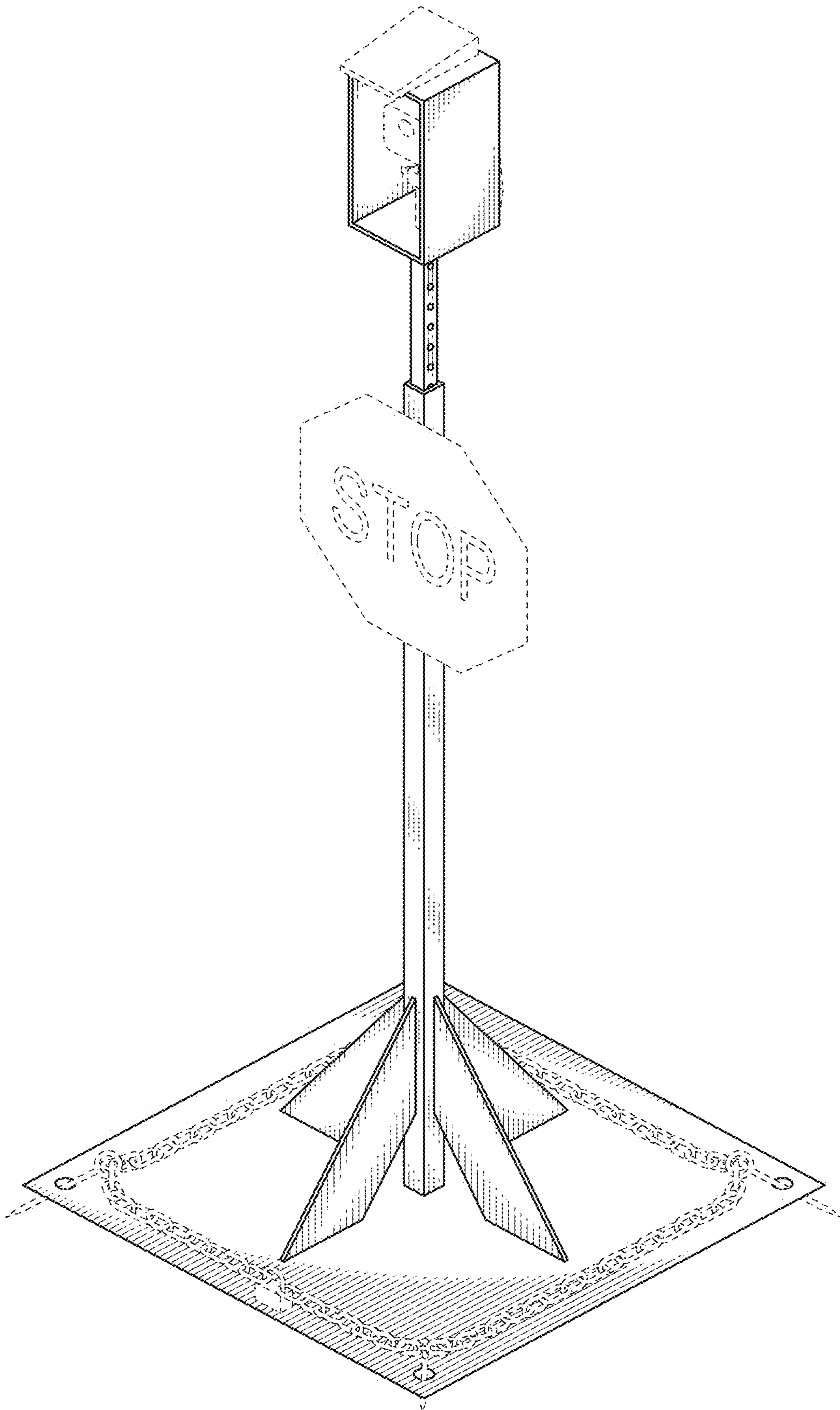
**DESCRIPTION**

FIG. 1 is a perspective view of the Construction Site Security Pole showing the new design;  
 FIG. 2 is a front elevational view of the construction site security pole thereof;  
 FIG. 3 is a rear elevational view of the construction site security pole thereof;  
 FIG. 4 is a left side elevational view of the construction site security pole thereof;  
 FIG. 5 is a right side elevational view of the construction site security pole thereof;  
 FIG. 6 is a top plan view of the construction site security pole thereof; and,  
 FIG. 7 is a bottom plan view of the construction site security pole thereof.

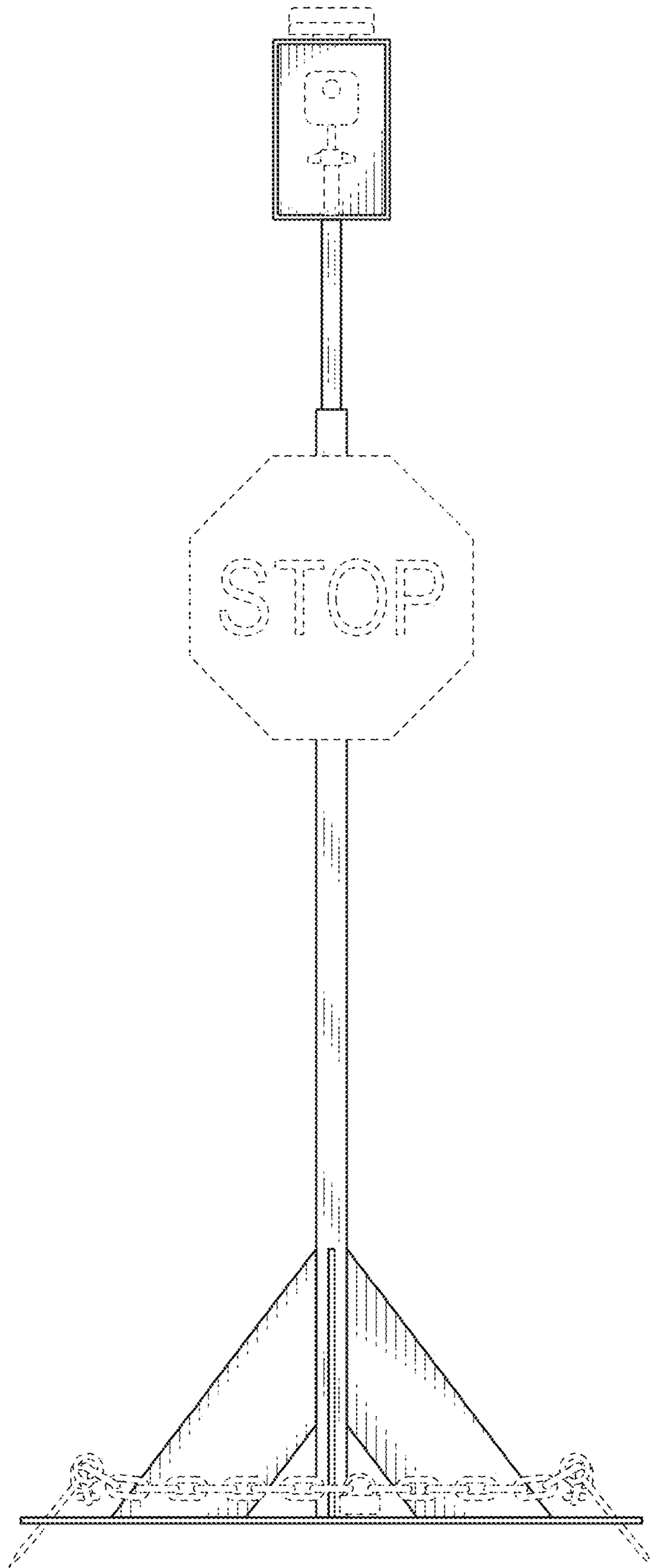
The broken lines in the drawings illustrate environmental subject matter and form no part of the claimed design.

**1 Claim, 7 Drawing Sheets**

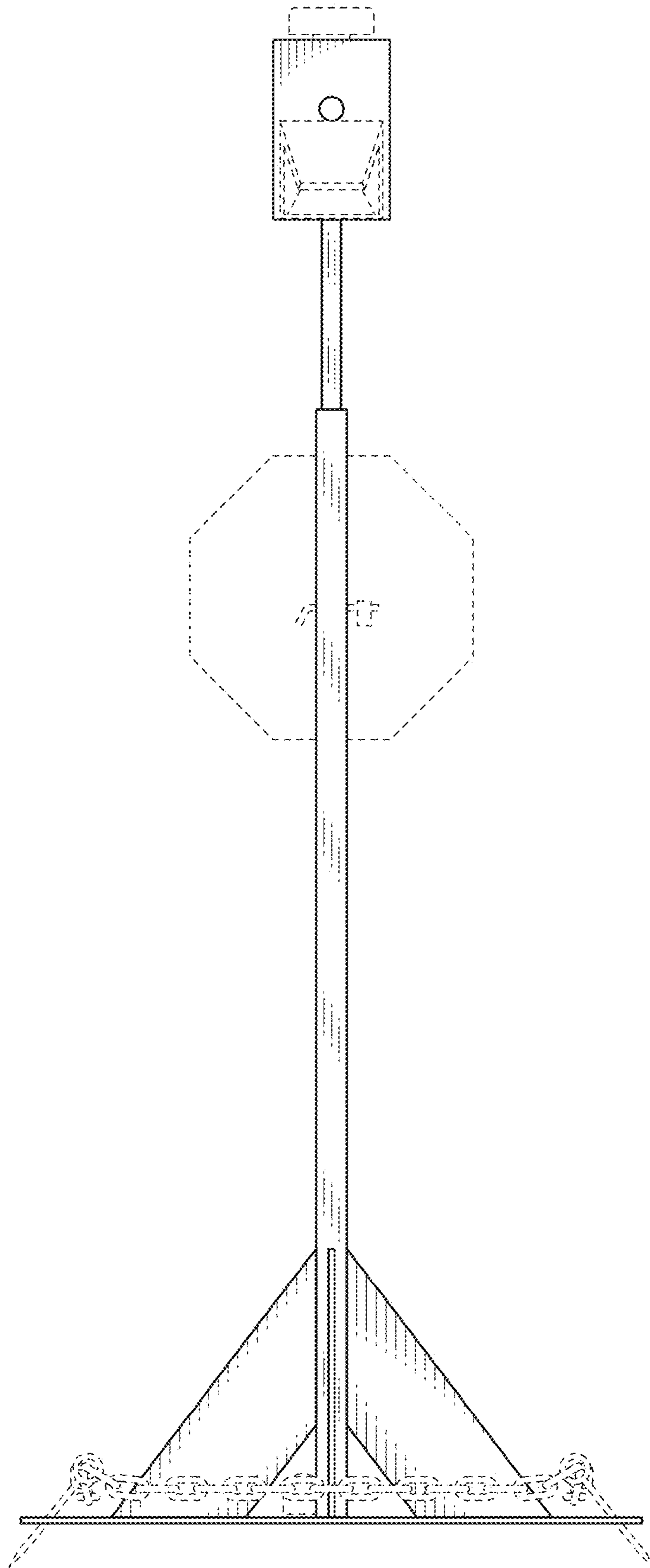




**FIG. 1**



**FIG. 2**



**FIG. 3**

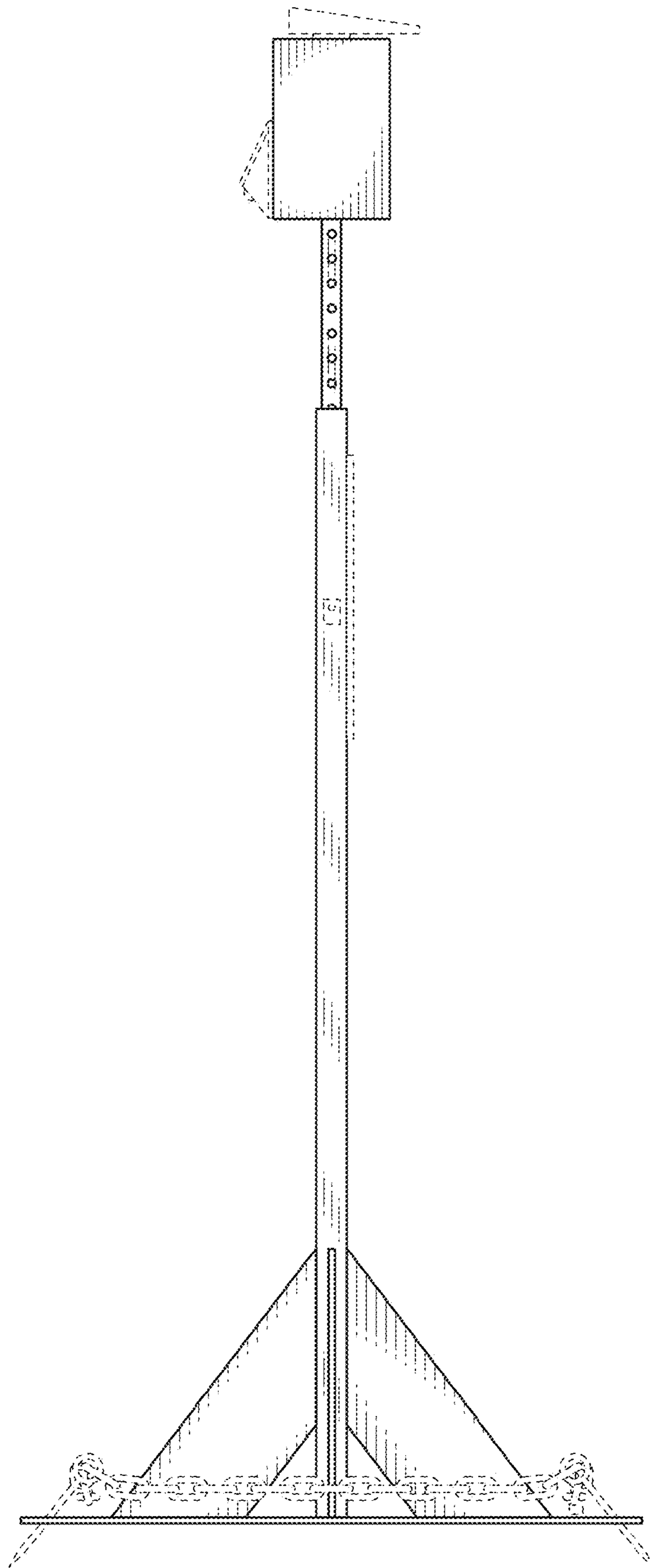


FIG. 4



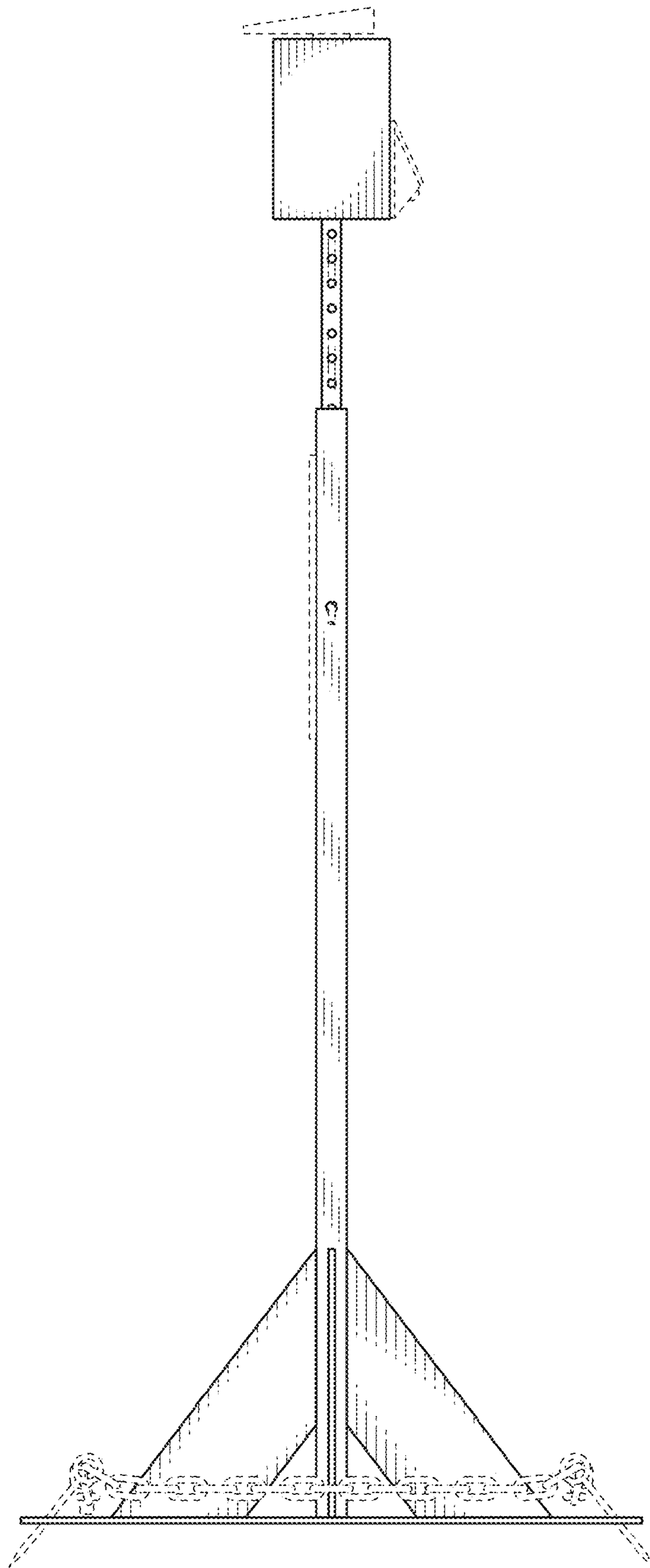
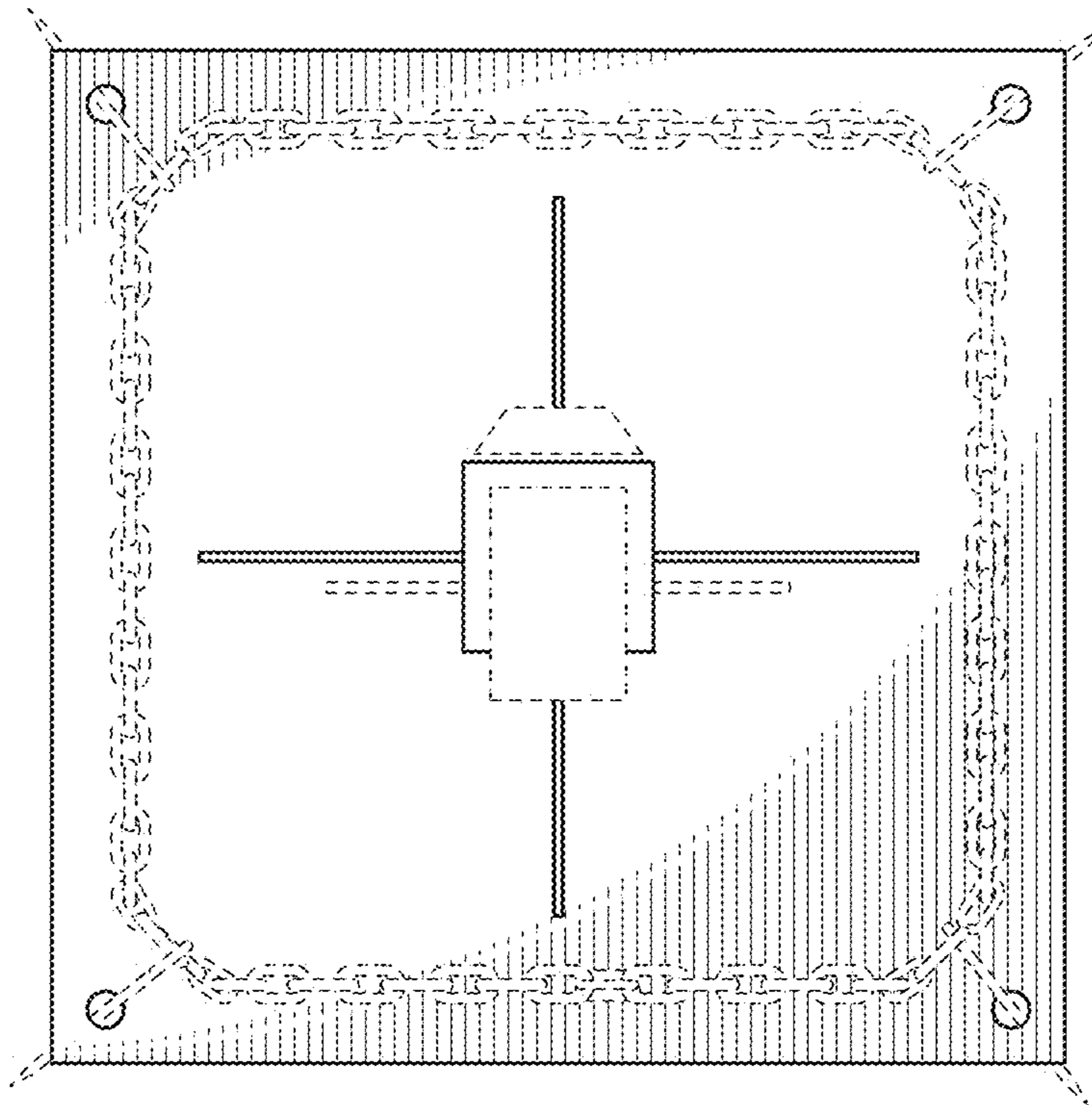
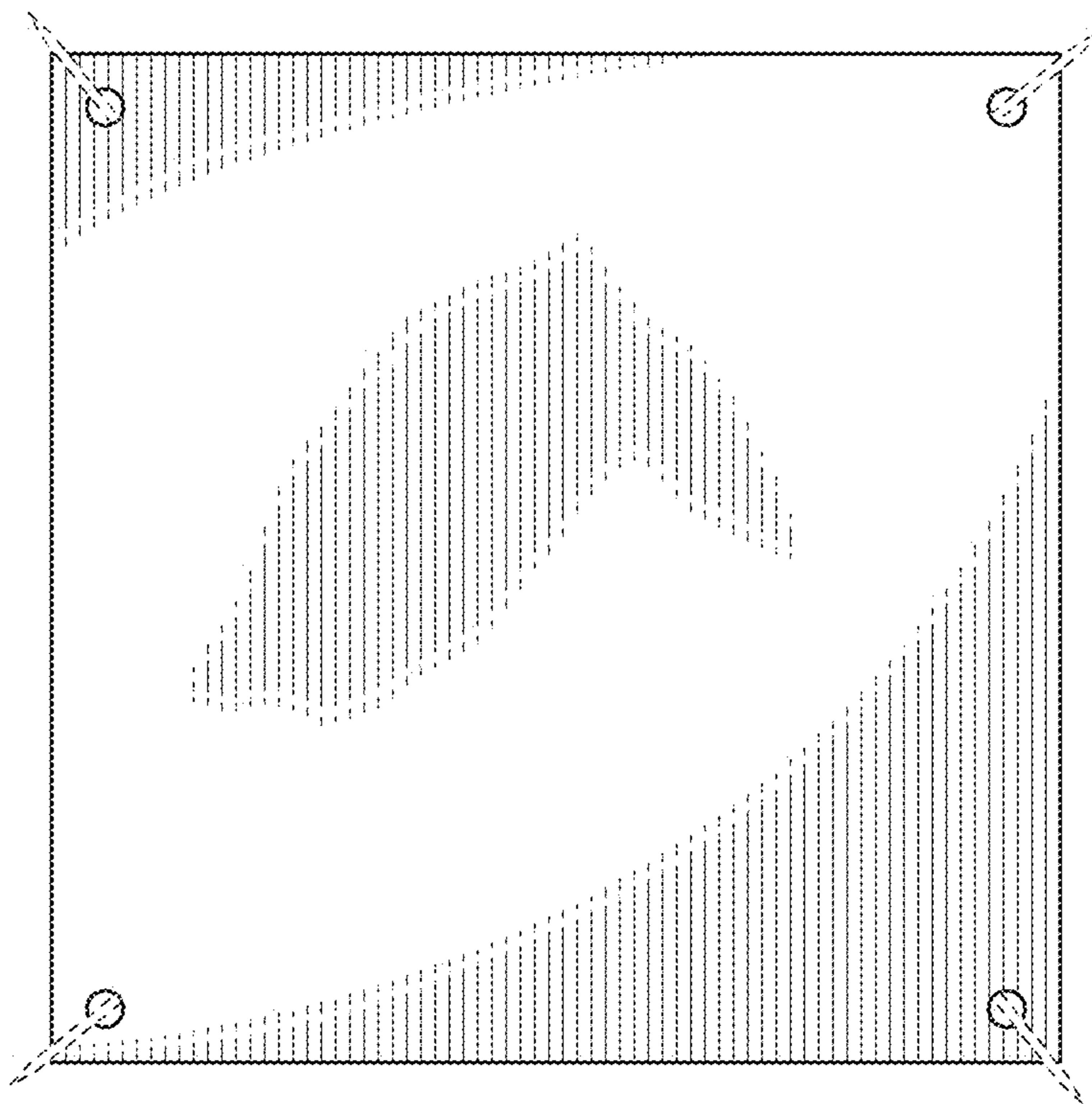


FIG. 5



**FIG. 6**



**FIG. 7**