



US00D880328S

(12) **United States Design Patent** (10) **Patent No.:** **US D880,328 S**
Covelli et al. (45) **Date of Patent:** **** Apr. 7, 2020**

(54) LIGHT SIGNAL DEVICE	4,077,076 A *	3/1978	Masters	B63B 51/02 116/107
(71) Applicant: Sirius Signal, LLC , Encinitas, CA (US)	4,099,282 A *	7/1978	Townsend	B63C 9/21 441/16
(72) Inventors: Anthony W. Covelli , La Costa, CA (US); Robert B. Simons, Jr. , San Diego, CA (US)	4,464,129 A 4,560,356 A 4,628,420 A 4,896,620 A D318,817 S	8/1984 12/1985 12/1986 1/1990 8/1991	Vancheri et al. Burr McArthur Jones Sinrod	
(73) Assignee: SIRIUS SIGNAL, LLC , Encinitas, CA (US)	D320,950 S D451,044 S 6,712,560 B1 7,393,254 B1 D608,232 S 7,859,425 B2 D826,762 S *	10/1991 11/2001 3/2004 7/2008 1/2010 12/2010 8/2018	Bressler et al. Campman Cottrell Young et al. Neira et al. Glasa et al. Smith	D10/107
(**) Term: 15 Years				
(21) Appl. No.: 29/679,524				
(22) Filed: Feb. 7, 2019				

(Continued)

Related U.S. Application Data

- (63) Continuation of application No. 29/638,591, filed on Feb. 28, 2018, now Pat. No. Des. 844,477, which is a continuation of application No. 29/595,834, filed on Mar. 2, 2017, now Pat. No. Des. 811,920, which is a continuation of application No. 29/557,241, filed on Mar. 7, 2016, now Pat. No. Des. 784,175.
- (51) **LOC (12) Cl.** **10-05**
- (52) **U.S. Cl.**
USPC **D10/114.1**
- (58) **Field of Classification Search**
USPC D10/107, 114.1
CPC B63B 22/16; B63B 45/02; B63B 51/04; B63B 51/02; A47G 19/2227; F21L 7/00; B63C 9/0005
See application file for complete search history.

(56) **References Cited**

U.S. PATENT DOCUMENTS

1,669,055 A	5/1928	Hogg
2,366,929 A	1/1945	Pfeil
2,765,481 A	10/1956	Manhart et al.
3,818,208 A	6/1974	Kahl

OTHER PUBLICATIONS

References cited in office action of corresponding U.S. Appl. No. 16/004,987, dated Sep. 20, 2018.

Primary Examiner — George D. Kirschbaum
(74) *Attorney, Agent, or Firm* — The Belles Group, P.C

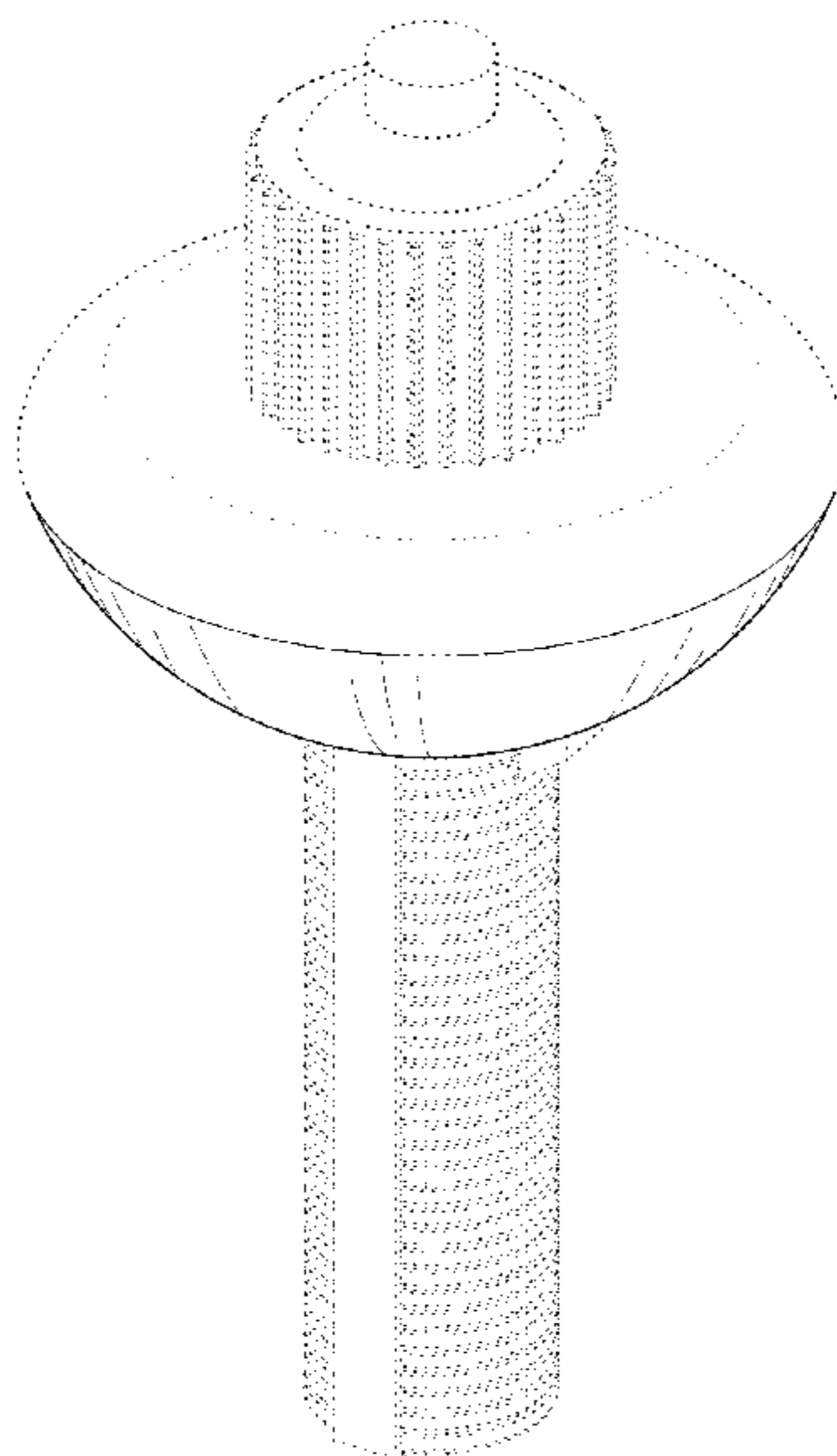
(57) **CLAIM**

We claim the ornamental design for a light signal device, as shown and described.

DESCRIPTION

FIG. 1 is a top perspective view of a light signal device; FIG. 2 is a bottom perspective view thereof; FIG. 3 is a front plan view thereof; FIG. 4 is a rear plan view thereof; FIG. 5 is a right-side plan view thereof, the left-side plan view being a mirror-image of the right-side plan view; FIG. 6 is a top plan view thereof; and, FIG. 7 is a bottom plan view thereof. The broken lines illustrate portions of the article that form no part of the claimed design.

1 Claim, 6 Drawing Sheets



(56)

References Cited

U.S. PATENT DOCUMENTS

D845,809 S * 4/2019 Knapp D10/107
2004/0012962 A1 1/2004 Wolf
2005/0237740 A1 10/2005 Watanabe et al.
2007/0241887 A1 10/2007 Bertagna et al.
2008/0247161 A1 10/2008 Hulsey et al.
2010/0026571 A1 2/2010 Batty
2011/0075409 A1 3/2011 Zheng
2011/0089696 A1 4/2011 Davis et al.

* cited by examiner

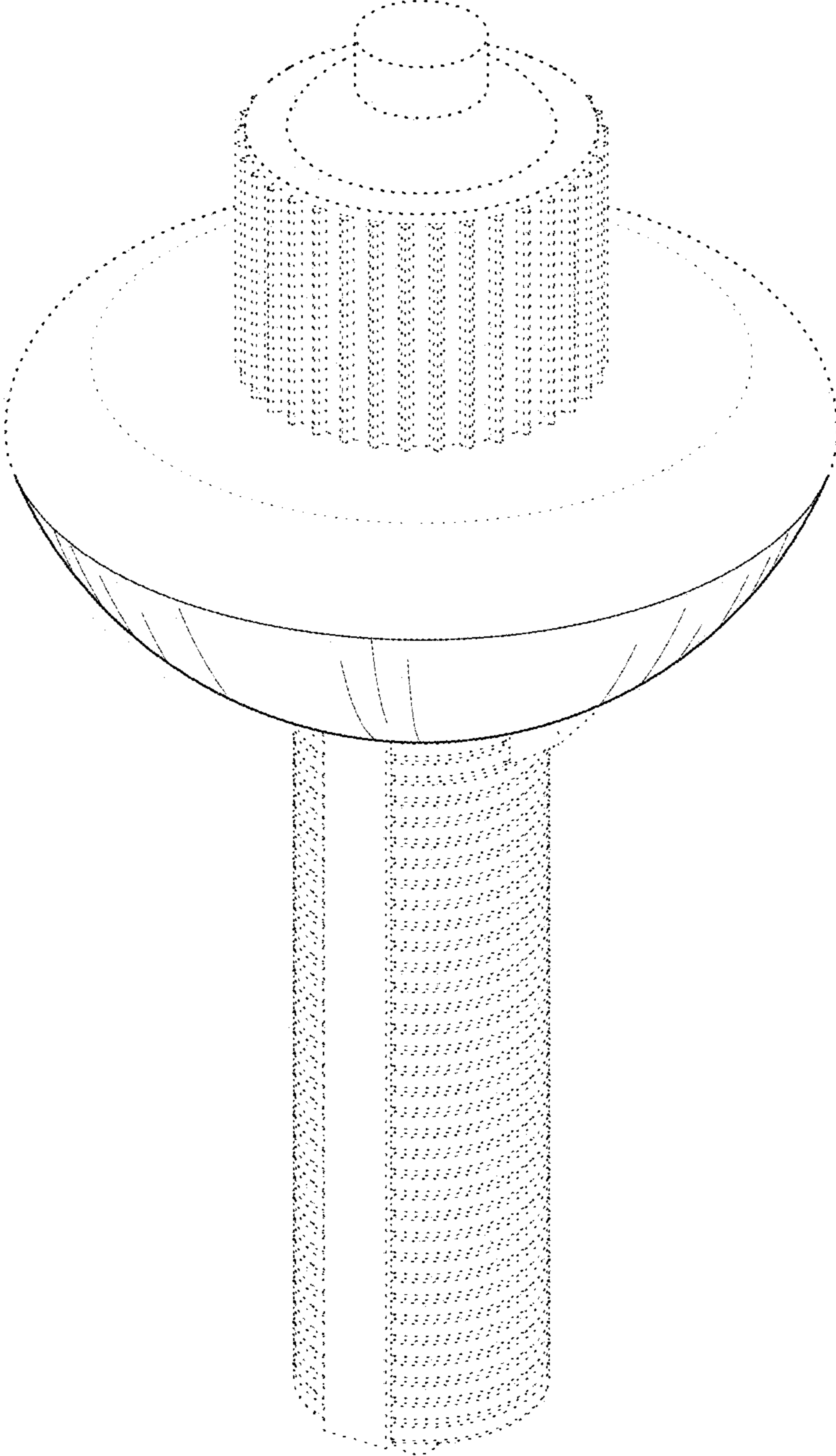


FIG. 1

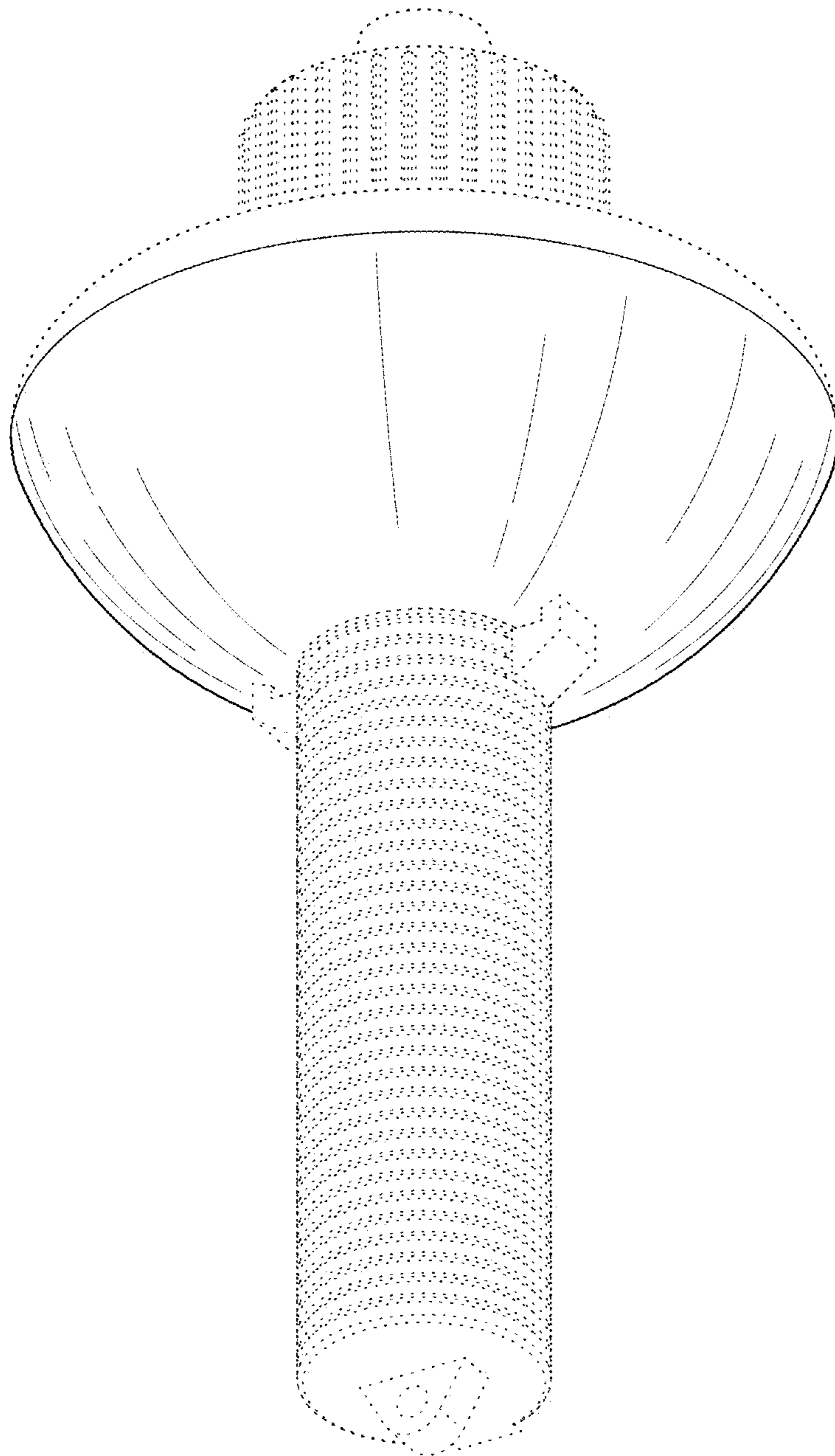


FIG. 2

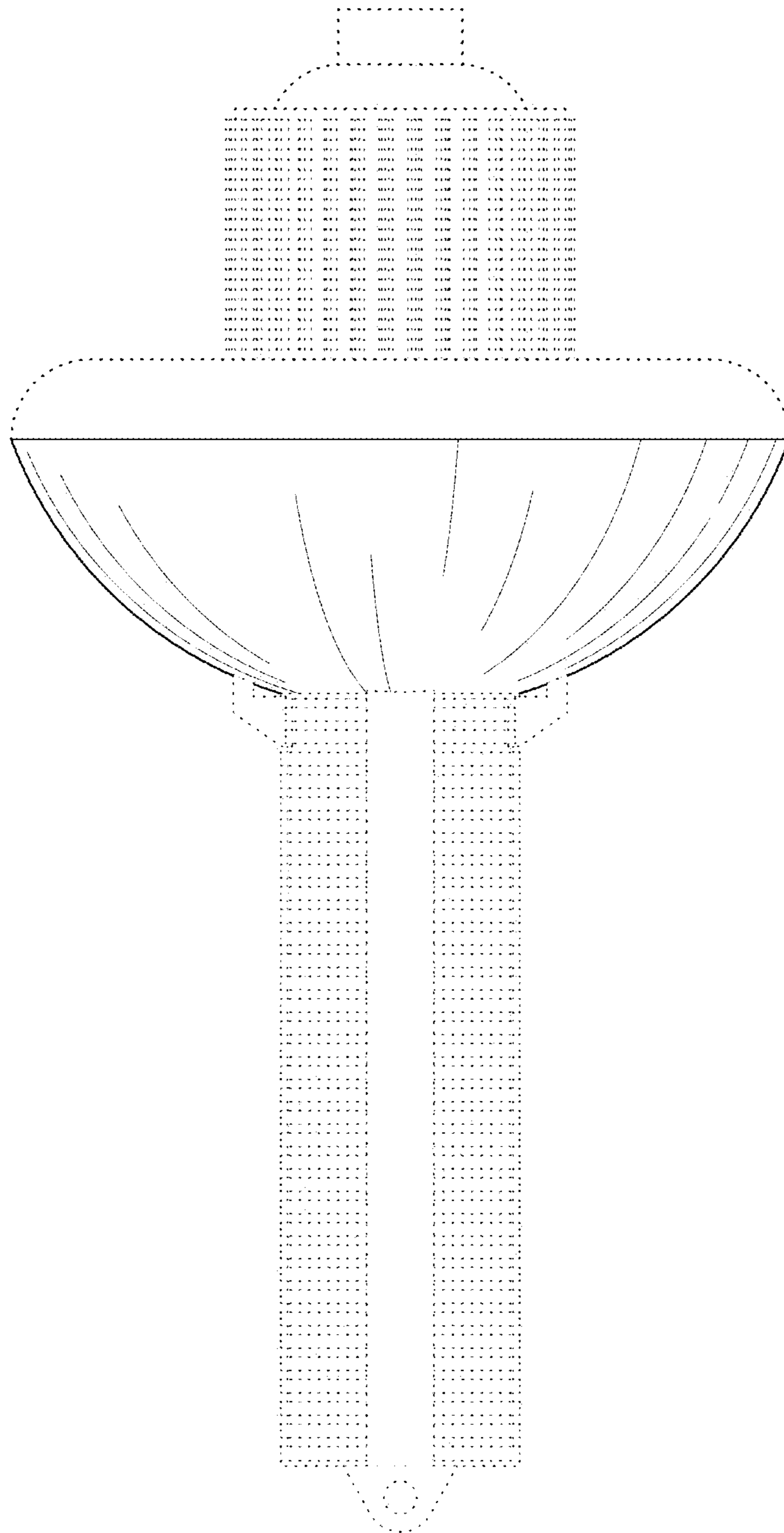


FIG. 3

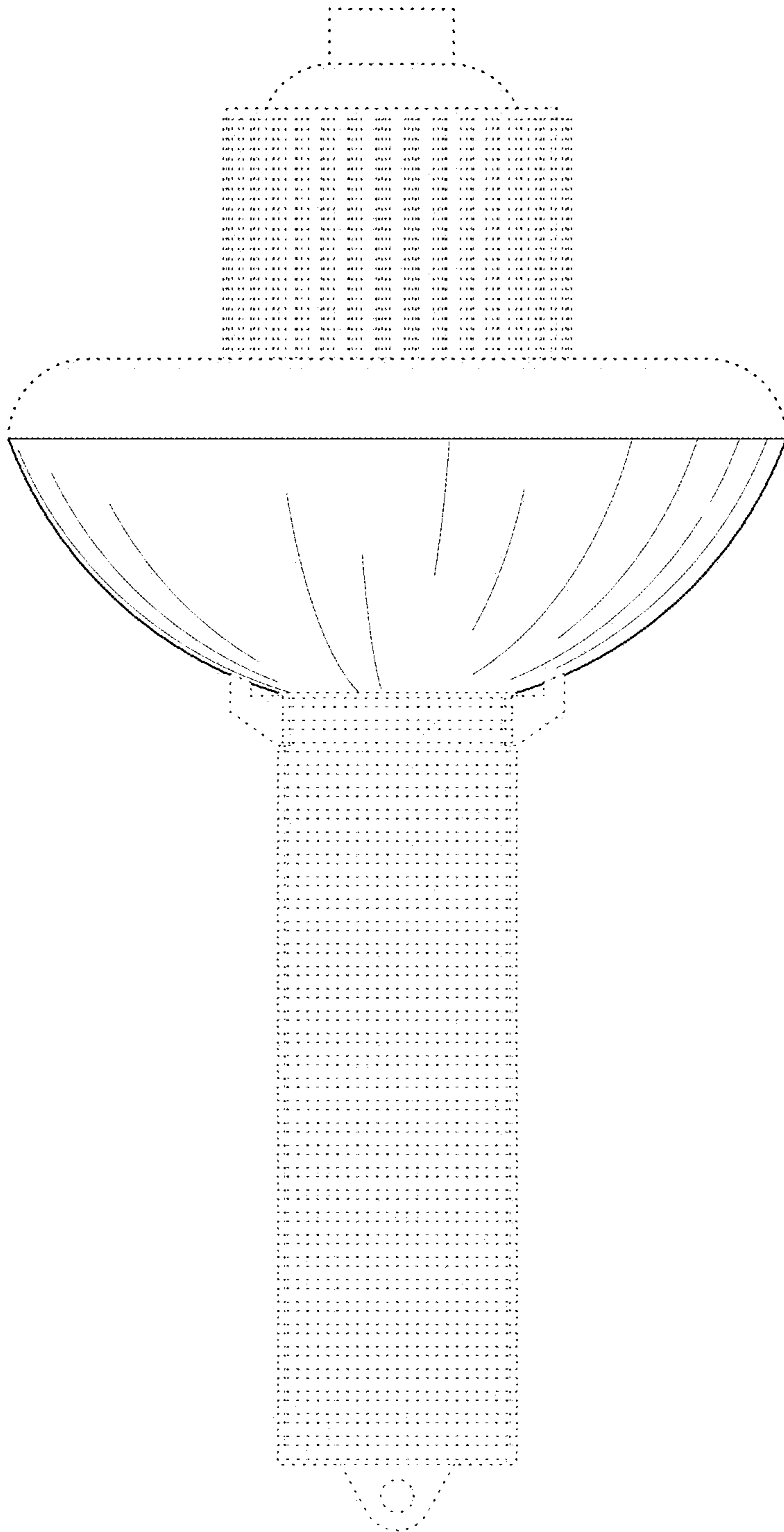


FIG. 4

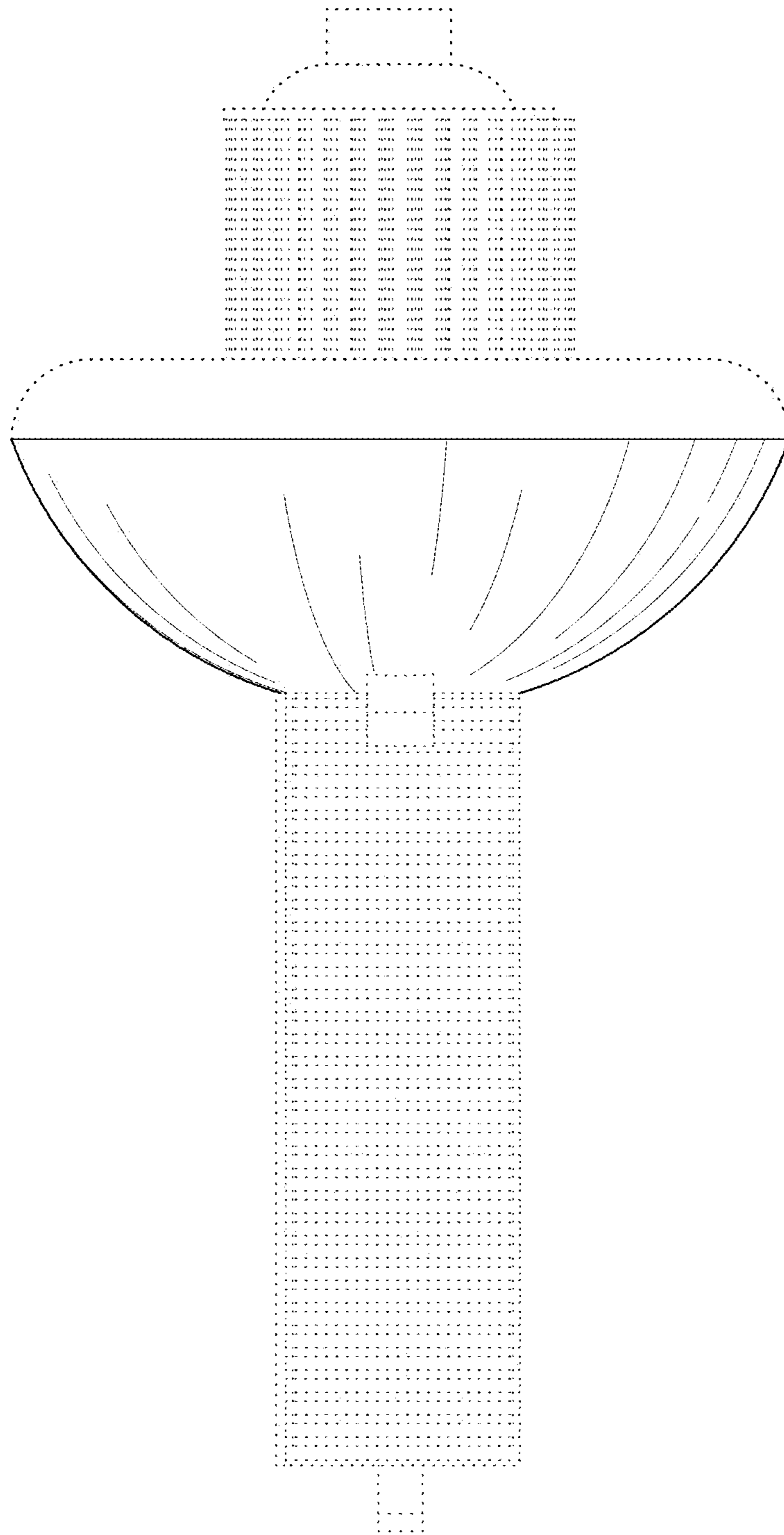


FIG. 5

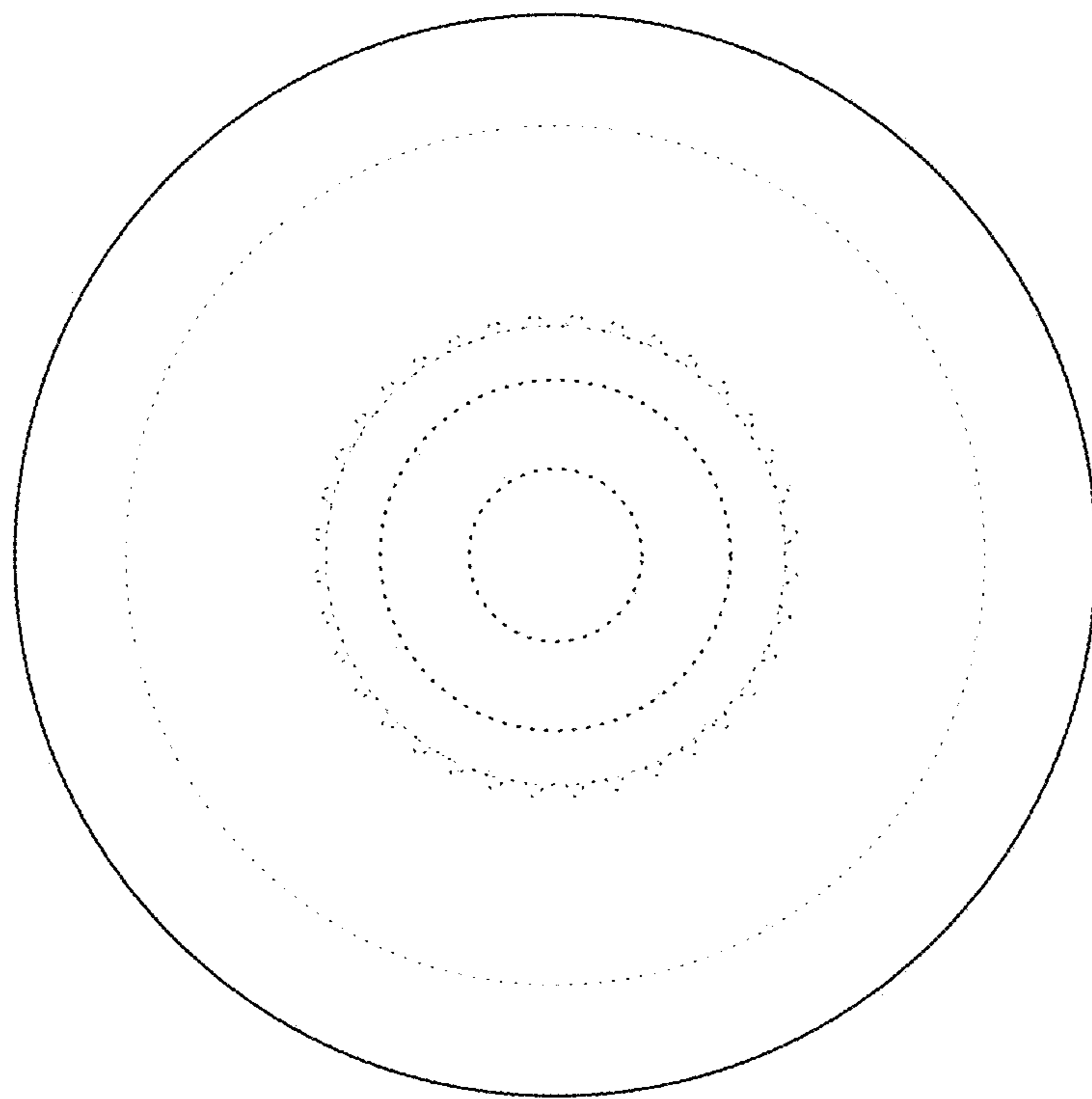


FIG. 6

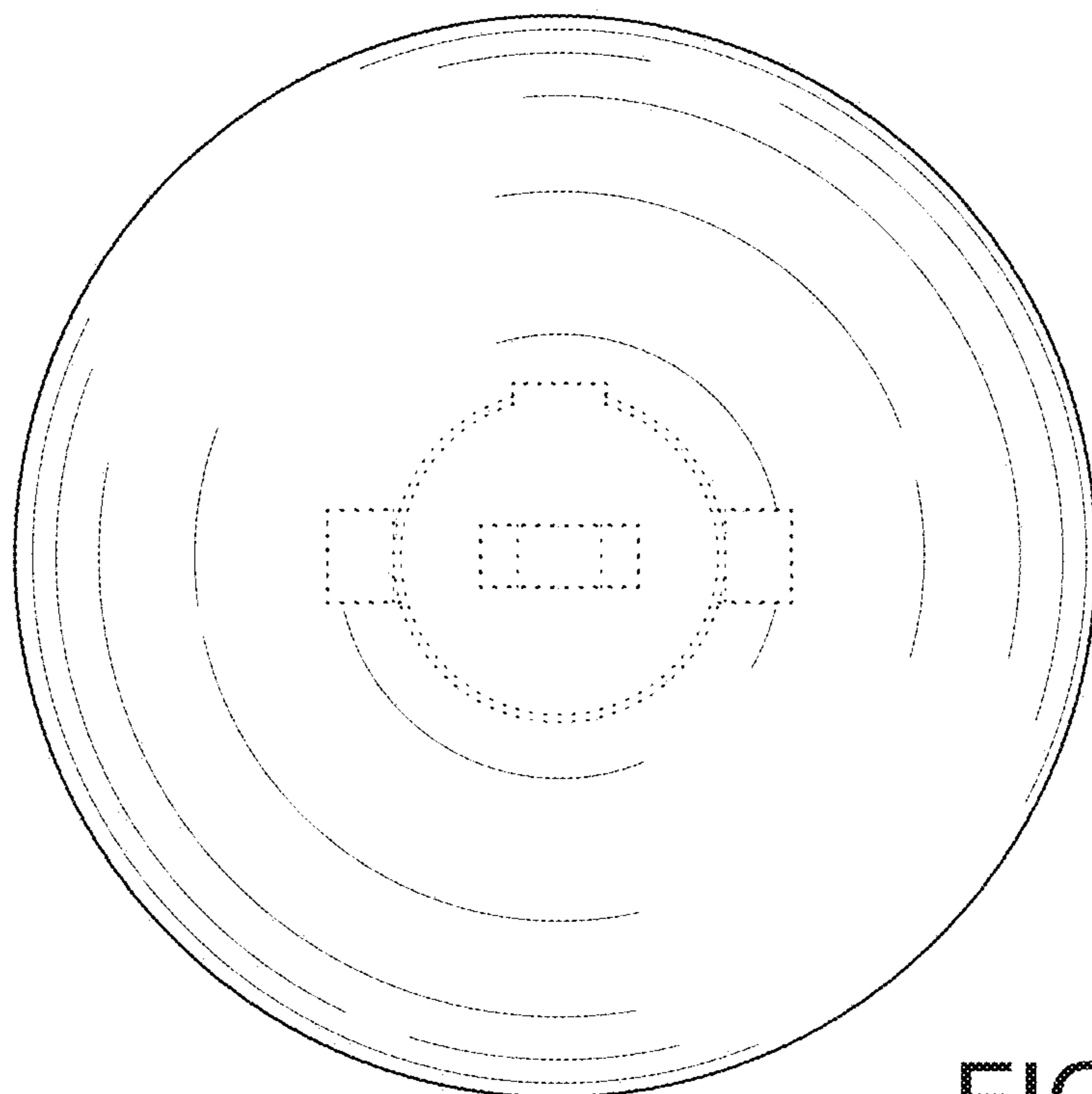


FIG. 7