



US00D880327S

(12) **United States Design Patent** (10) **Patent No.:** **US D880,327 S**
Costabile et al. (45) **Date of Patent:** **** Apr. 7, 2020**

(54) **OPERATING/DISPLAY PANEL**

CPC B66B 1/00; B66B 3/00
See application file for complete search history.

(71) Applicant: **OTIS ELEVATOR COMPANY,**
Farmington, CT (US)

(56) **References Cited**

(72) Inventors: **Robert Costabile,** Hamden, CT (US);
Harold Terry, New Hartford, CT (US);
Danny Seheon Lee, Gunpo (KR); **Hak**
Cheol Kim, Seoul (KR); **Bruce F.**
Gallo, Farmington, CT (US); **Andrew**
Zielke, Plainville, CT (US)

U.S. PATENT DOCUMENTS

D589,833 S 4/2009 Kim
D610,031 S * 2/2010 Beland D10/118
D693,803 S 11/2013 Colley et al.
D702,578 S * 4/2014 Joyce D10/108

(Continued)

(73) Assignee: **OTIS ELEVATOR COMPANY,**
Farmington, CT (US)

OTHER PUBLICATIONS
Available Mar. 17, 2015, [online], [site visited Mar. 7, 2019].
Available from Internet, <URL:https://medium.com/interactive-mind/
a-story-of-ux-obsession-and-elevators-bae156462943> (Year: 2015).*

(Continued)

(**) Term: **15 Years**

Primary Examiner — Michael C Stout

Assistant Examiner — Katrina N Gonzalez

(21) Appl. No.: **29/624,633**

(74) *Attorney, Agent, or Firm* — Cantor Colburn LLP

(22) Filed: **Nov. 2, 2017**

(51) **LOC (12) Cl.** **10-05**

(57) **CLAIM**

(52) **U.S. Cl.**

We claim, the ornamental design for an operating/display panel, as shown and described.

USPC **D10/108**

(58) **Field of Classification Search**

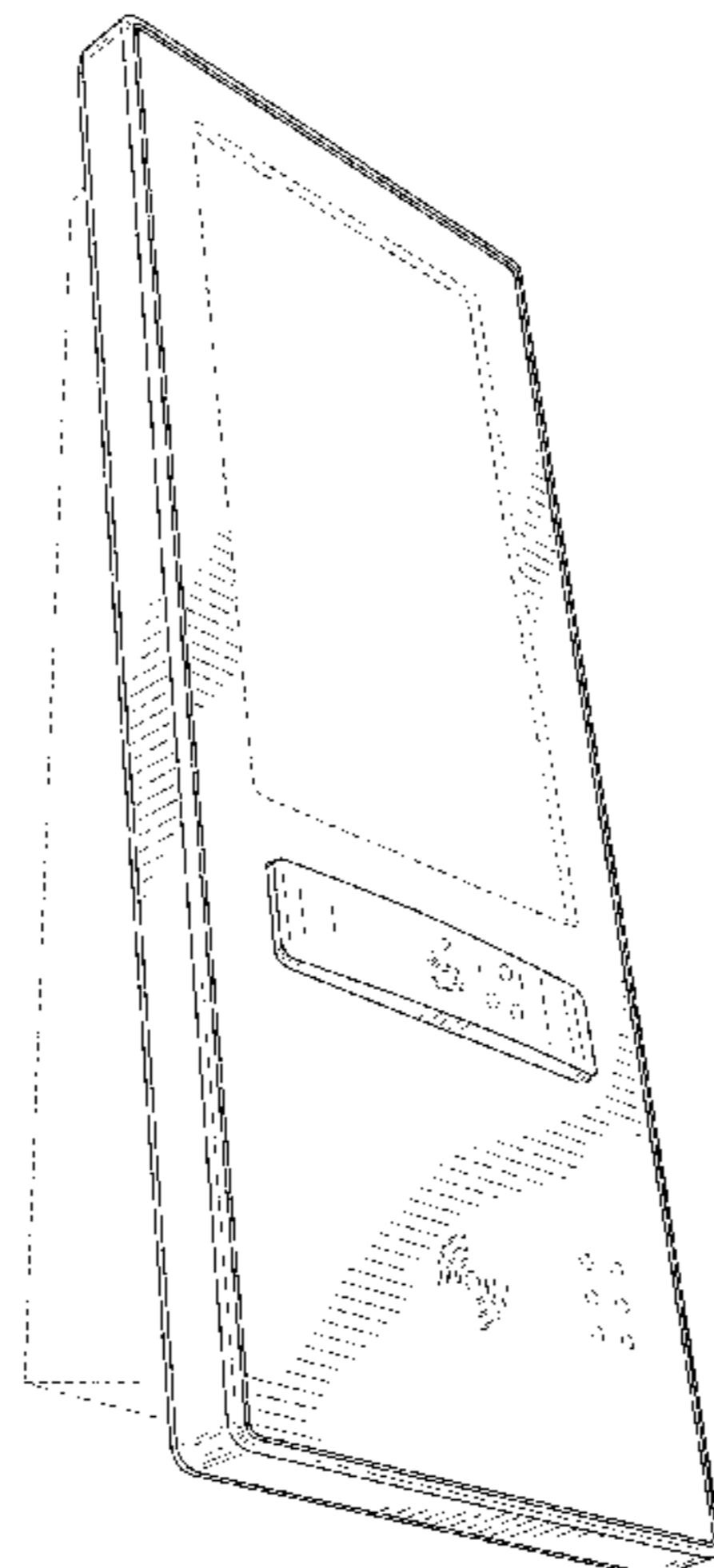
DESCRIPTION

USPC D10/46, 46.1, 49, 50, 51, 52, 53, 55, 57,
D10/104, 106, 160.1, 106.6, 106.95, 108,
D10/109.1, 109.2, 113.4, 114.1, 114.2,
D10/118, 118.1, 118.2, 121, 123, 125;
D6/310, 466; D13/162, 162.1, 163, 168;
D14/138 G, 146, 149, 150, 198, 218, 245,
D14/247, 302, 303, 304, 305, 306, 307,
D14/371, 383, 388, 389, 390, 485, 486,
D14/900, 902; D18/6, 7; D20/10, 43;
D21/332, 325, 369, 370; D99/28;
187/380, 389, 390, 391, 396, 397, 395;
194/206; 361/679.01, 679.02, 679.04,
361/679.21, 679.57, 725

FIG. 1 is a perspective view of an operating/display panel, showing our new design;
FIG. 2 is a front view thereof;
FIG. 3 is a rear view thereof;
FIG. 4 is a side view thereof;
FIG. 5 is another side view thereof;
FIG. 6 is a top view thereof;
FIG. 7 is a bottom view thereof;
FIG. 8 is another perspective view thereof, as shown mounted to a wall in a user environment; and,
FIG. 9 is another side view thereof, as shown mounted to a wall in a user environment.

The broken-lines illustrate portions of the operating/display panel that form no part of the claimed design. The broken

(Continued)



lines, showing the wall portions in FIGS. 8 and 9, illustrate environmental structure that forms no part of the claimed design.

1 Claim, 7 Drawing Sheets

(56)

References Cited

U.S. PATENT DOCUMENTS

D702,579 S	4/2014	Lee et al.	
D703,079 S *	4/2014	Joyce	D10/108
D705,108 S	5/2014	Lee et al.	
D708,084 S *	7/2014	Lee	D10/108
D717,785 S	11/2014	Winston et al.	
D747,990 S *	1/2016	Lee	D10/108
D748,515 S *	2/2016	Matsuyama	D10/108
D754,013 S *	4/2016	Choi	D10/108
D760,611 S *	7/2016	Saari	D10/108
D761,783 S	7/2016	Kulkarni et al.	
D763,112 S *	8/2016	Choi	D10/108
D763,247 S	8/2016	Yepez et al.	
D777,722 S	1/2017	Murphy	
D781,736 S *	3/2017	Friedli	D10/108
D781,843 S	3/2017	Horn, II	
D782,466 S	3/2017	Yepez et al.	
D782,467 S	3/2017	Bladwell	
D807,763 S *	1/2018	Jacoby	D10/50
D816,077 S	4/2018	Benic et al.	
D820,793 S *	6/2018	Arai	D13/168

D830,868 S *	10/2018	Kress	D10/87
D831,639 S *	10/2018	Terry	D14/307
D838,618 S *	1/2019	Nagaki	D10/104.1

OTHER PUBLICATIONS

Available Nov. 1, 2018, [online], [site visited Mar. 7, 2019]. Available from Internet, <URL:http://gd.kidp.or.kr/eng/product/eng_product_view.asp?idx=9438> (Year: 2018).*

Available Mar. 1, 2016, [online], [site visited Mar. 7, 2019]. Available from Internet, <URL:https://medium.com/ux-for-india/interface-for-1000-floors-elevator-30a38863162b> (Year: 2016).*

Available Mar. 7, 2019, [online], [site visited Mar. 7, 2019]. Available from Internet, <URL:https://continuingeducation.bnppmedia.com/courses/otis-elevator-company/destination-dispatch-elevator-systems-benefit-passengers-building-owners-and-design-professionals/7/> (Year: 2019).*

Available Mar. 7, 2019, [online], [site visited Mar. 7, 2019]. Available from Internet, <URL:https://files.otis.com/otis/en/us/contentimages/TouchpadFactsheet_WHQ_01132017.pdf> (Year: 2019).*

Available Mar. 7, 2019, [online], [site visited Mar. 7, 2019]. Available from Internet, <URL:https://files.otis.com/otis/en/us/contentimages/TouchScreenFactsheet_WHQ_01132017.pdf> (Year: 2019).*

Available Mar. 7, 2019, [online], [site visited Mar. 7, 2019]. Available from Internet, <URL:https://files.otis.com/otis/en/us/contentimages/10265_CompassPlus_v2.pdf> (Year: 2019).*

Notice of Allowance; U.S. Appl. No. 29/614,598; filed Aug. 21, 2017; Operating/Display Panel; Notification Date: Jul. 6, 2018; 1-6 Pages.

* cited by examiner

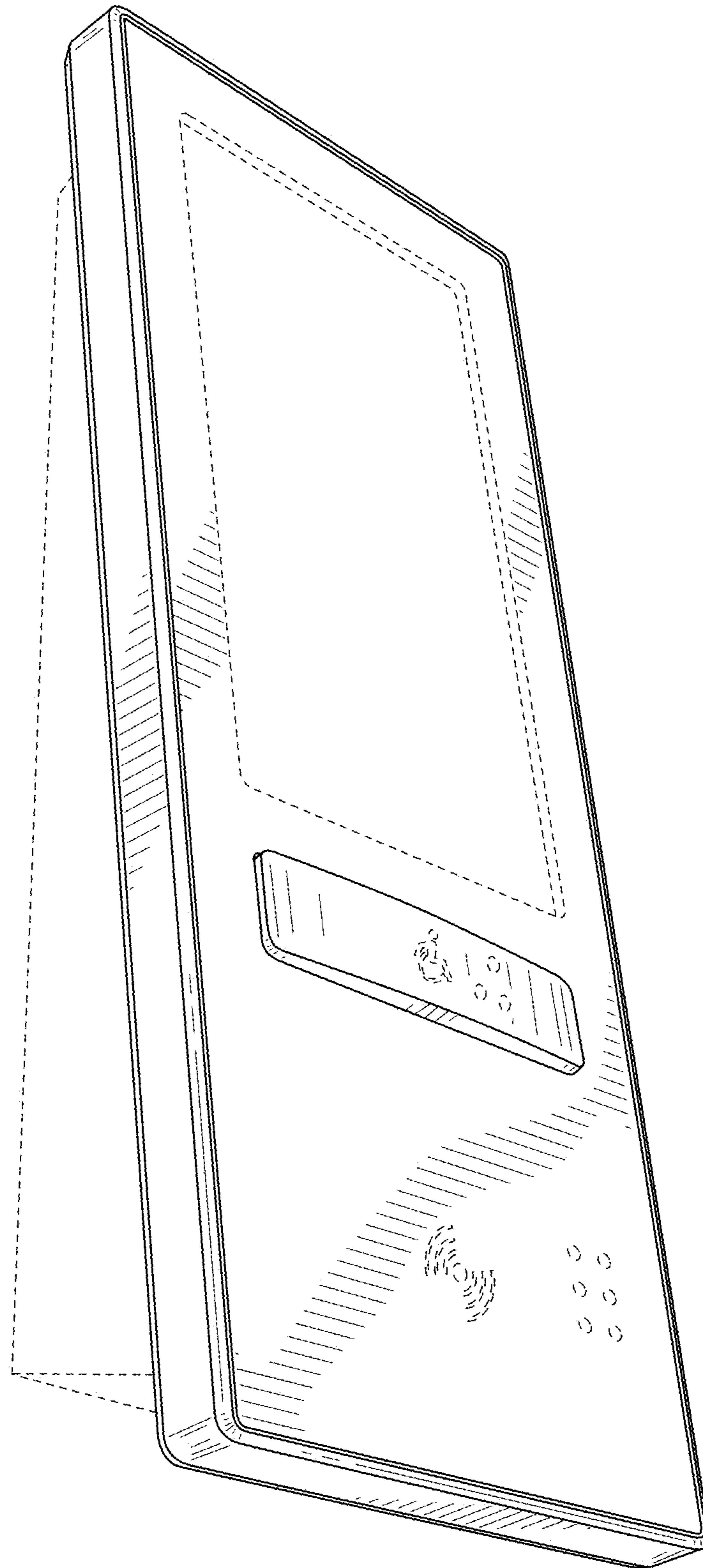


FIG. 1

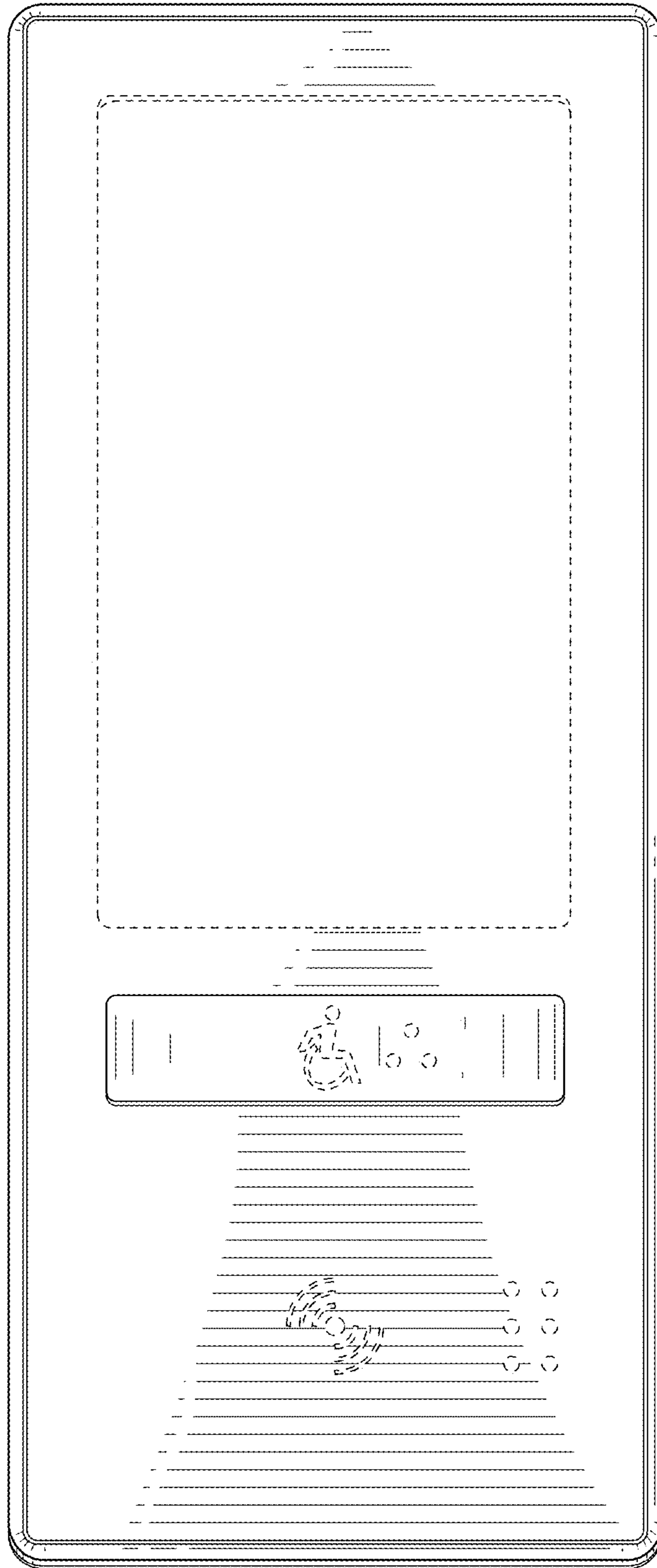


FIG. 2

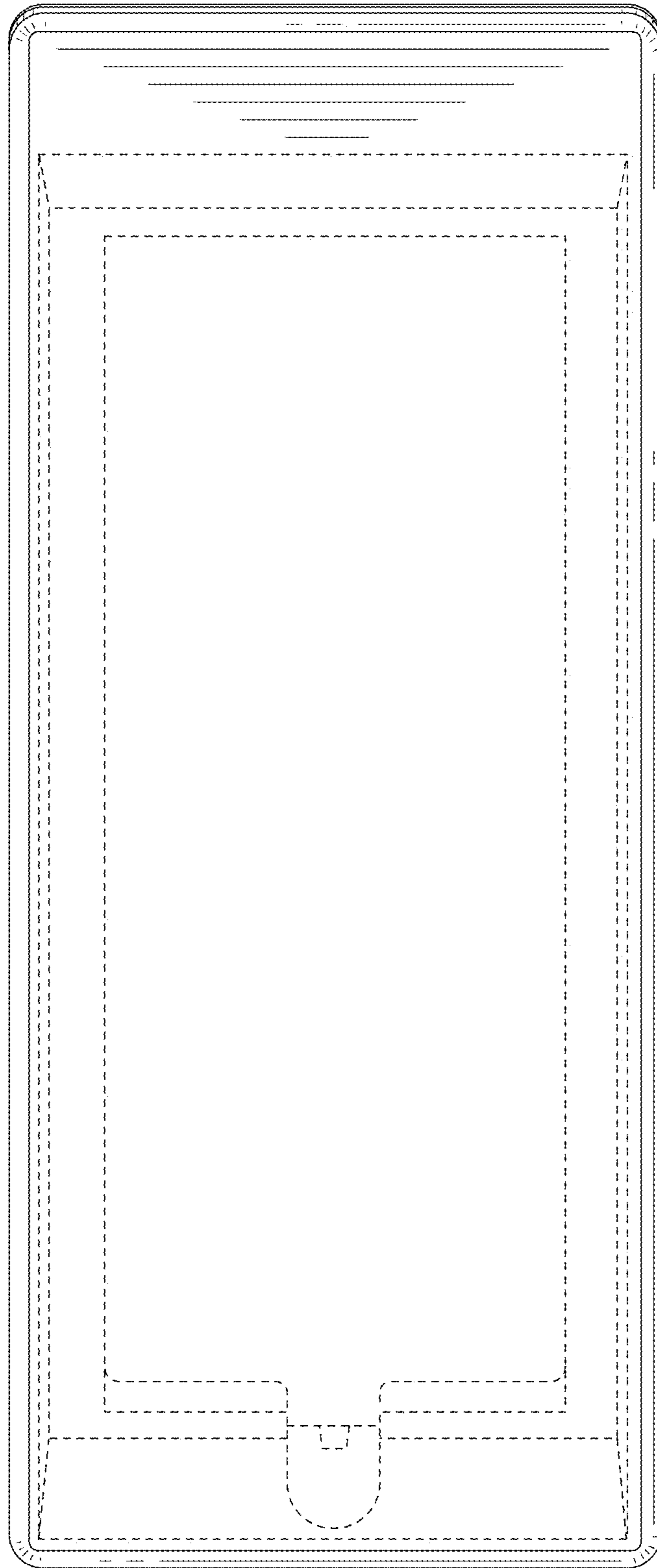


FIG. 3

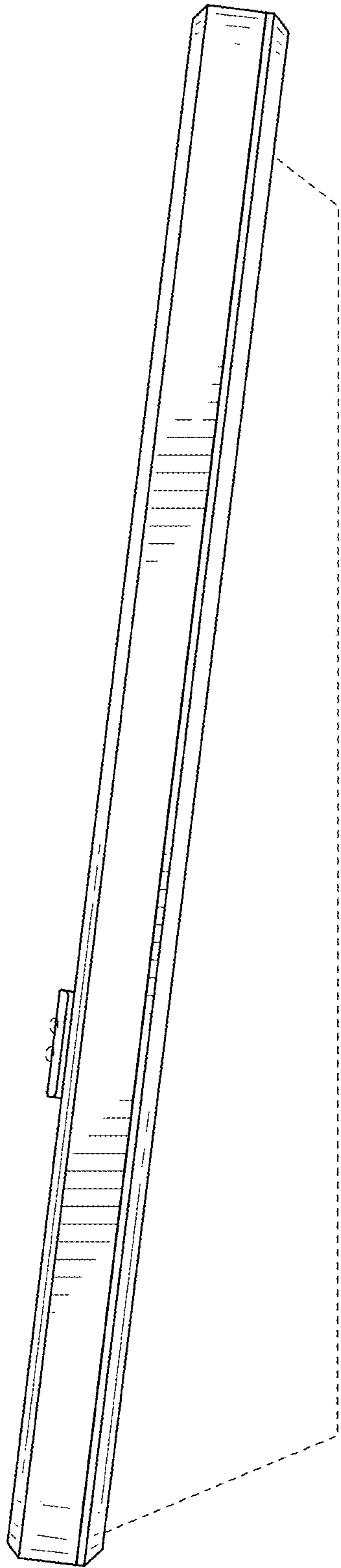


FIG. 4

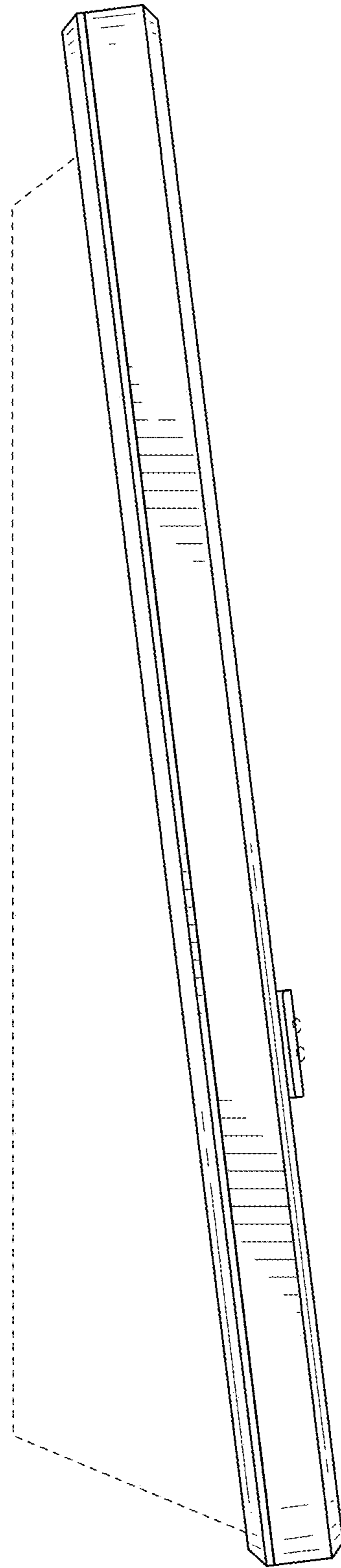


FIG. 5

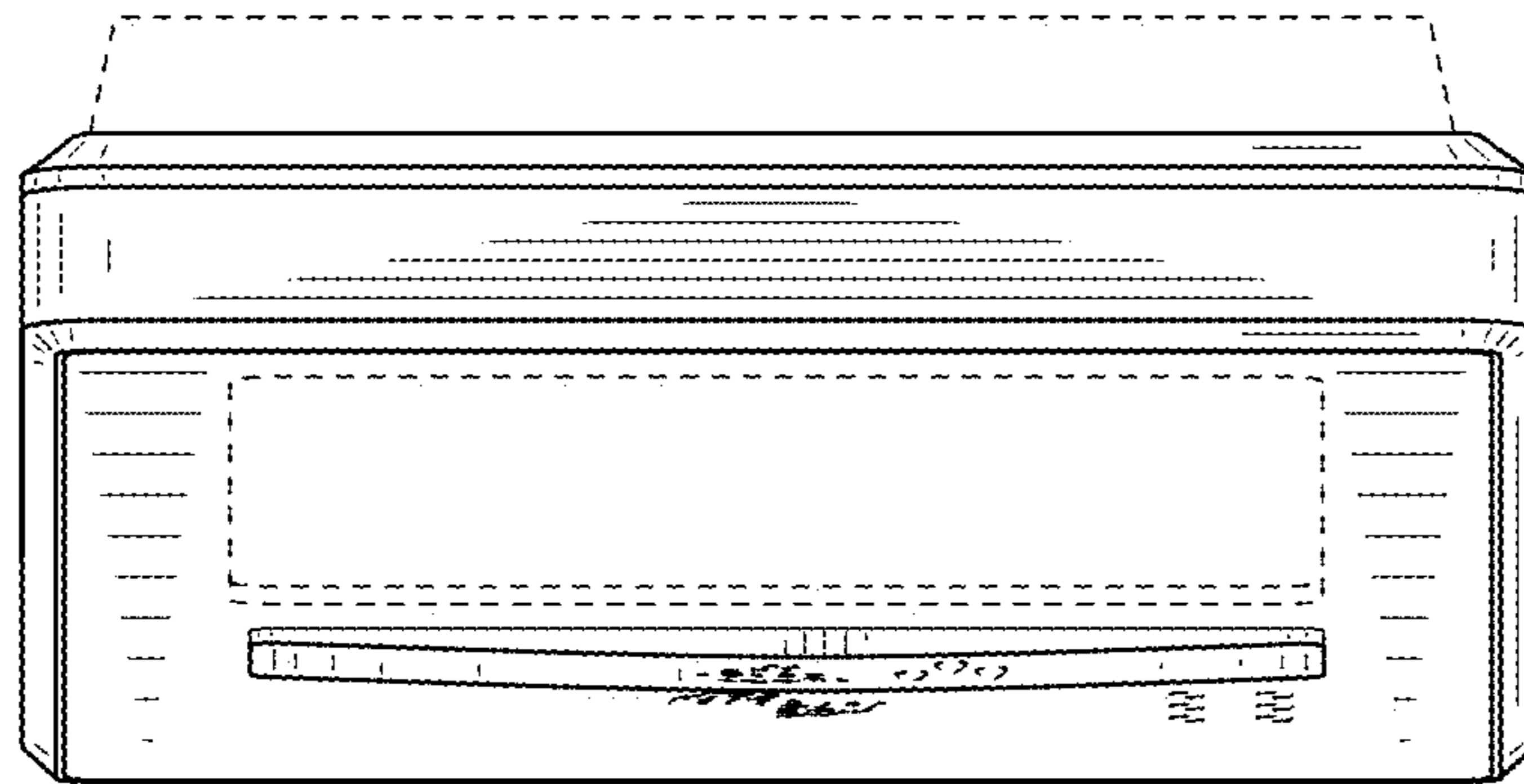


FIG. 6

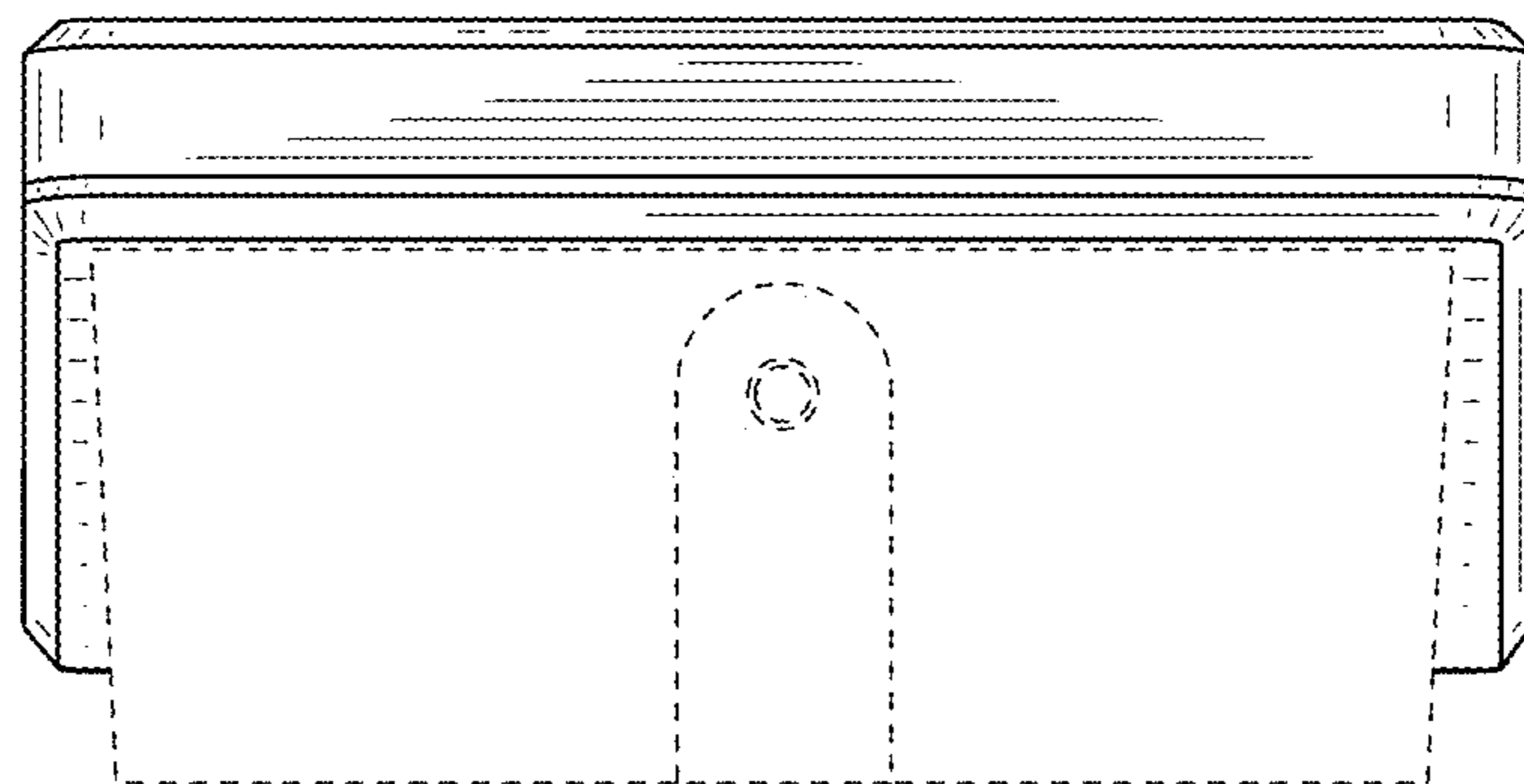


FIG. 7

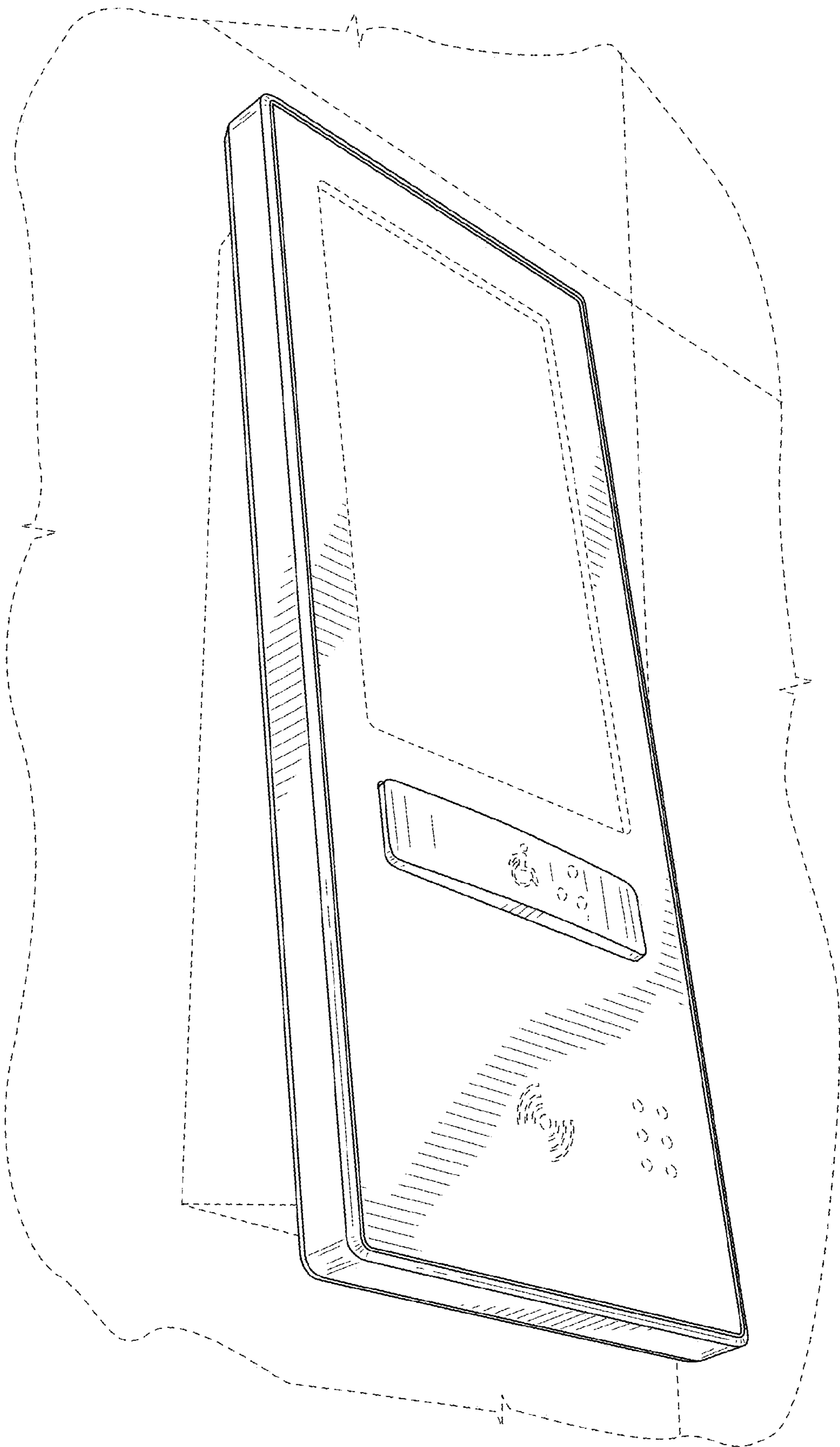


FIG. 8

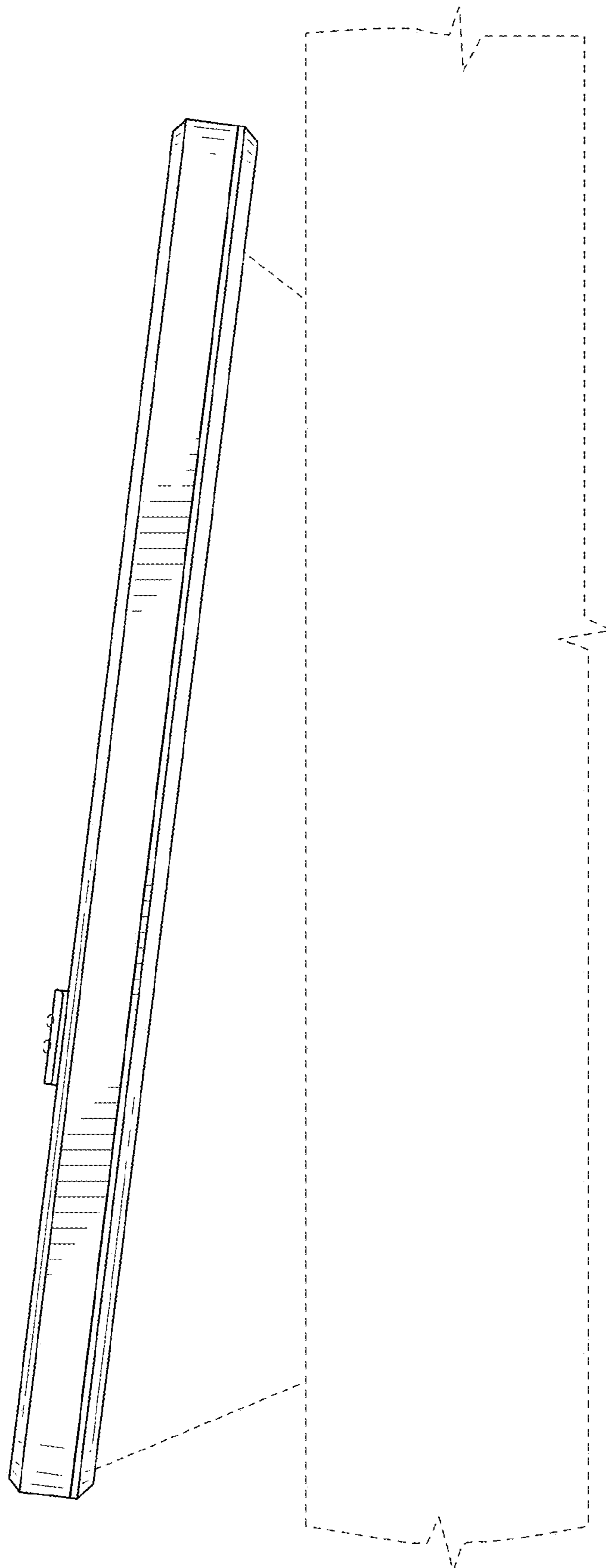


FIG. 9