



US00D880325S

(12) **United States Design Patent**
Xu

(10) **Patent No.:** **US D880,325 S**

(45) **Date of Patent:** **** Apr. 7, 2020**

(54) **ELECTRONIC TAG**

(71) Applicant: **SHANGHAI ADELANTE CO., LTD,**
Shanghai (CN)

(72) Inventor: **Qinwu Xu,** Shanghai (CN)

(73) Assignee: **SHANGHAI ADELANTE CO., LTD,**
Shanghai (CN)

(**) Term: **15 Years**

(21) Appl. No.: **29/685,168**

(22) Filed: **Mar. 27, 2019**

(30) **Foreign Application Priority Data**

Dec. 26, 2018 (CN) 2018 3 0759297

(51) **LOC (12) Cl.** **10-05**

(52) **U.S. Cl.**
USPC **D10/106.94**

(58) **Field of Classification Search**

USPC D10/106.9, 106.94

CPC E05B 45/005; E05B 73/0041; E05B
73/0017; E05B 67/006; G08B 13/08;
G06K 19/07749

See application file for complete search history.

(56) **References Cited**

U.S. PATENT DOCUMENTS

5,097,253 A * 3/1992 Eschbach G06K 19/07749
340/545.1

6,831,559 B2 * 12/2004 Chen G08B 13/08
340/545.2

D606,440 S * 12/2009 Sayegh D10/106.94
2005/0116827 A1 * 6/2005 Feibelman E05B 73/0017
340/572.9
2005/0128089 A1 * 6/2005 Feibelman E05B 73/0041
340/572.9
2006/0170550 A1 * 8/2006 Marsilio E05B 45/005
340/568.2
2007/0120669 A1 * 5/2007 Belden, Jr. E05B 67/006
340/568.2

* cited by examiner

Primary Examiner — George D. Kirschbaum

(74) *Attorney, Agent, or Firm* — Bayramoglu Law Offices
LLC

(57) **CLAIM**

The ornamental design for an electronic tag, as shown and
described.

DESCRIPTION

FIG. 1 is a perspective view of an electronic tag showing the
new design;

FIG. 2 is a front elevation view thereof;

FIG. 3 is a rear elevation view thereof;

FIG. 4 is a left side view thereof;

FIG. 5 is a right side view thereof;

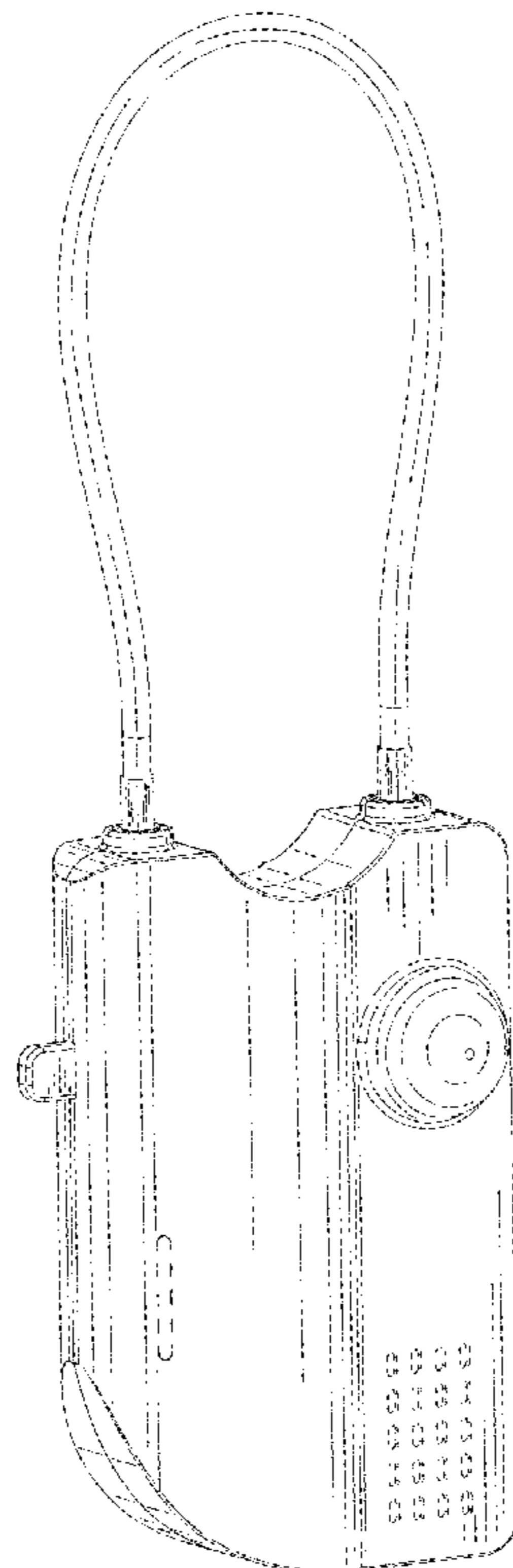
FIG. 6 is a top plan view thereof;

FIG. 7 is a bottom plan view thereof; and,

FIG. 8 is another perspective view thereof.

The broken lines shown in the drawings depict parts of the
electronic tag that form no part of the claimed design.

1 Claim, 8 Drawing Sheets



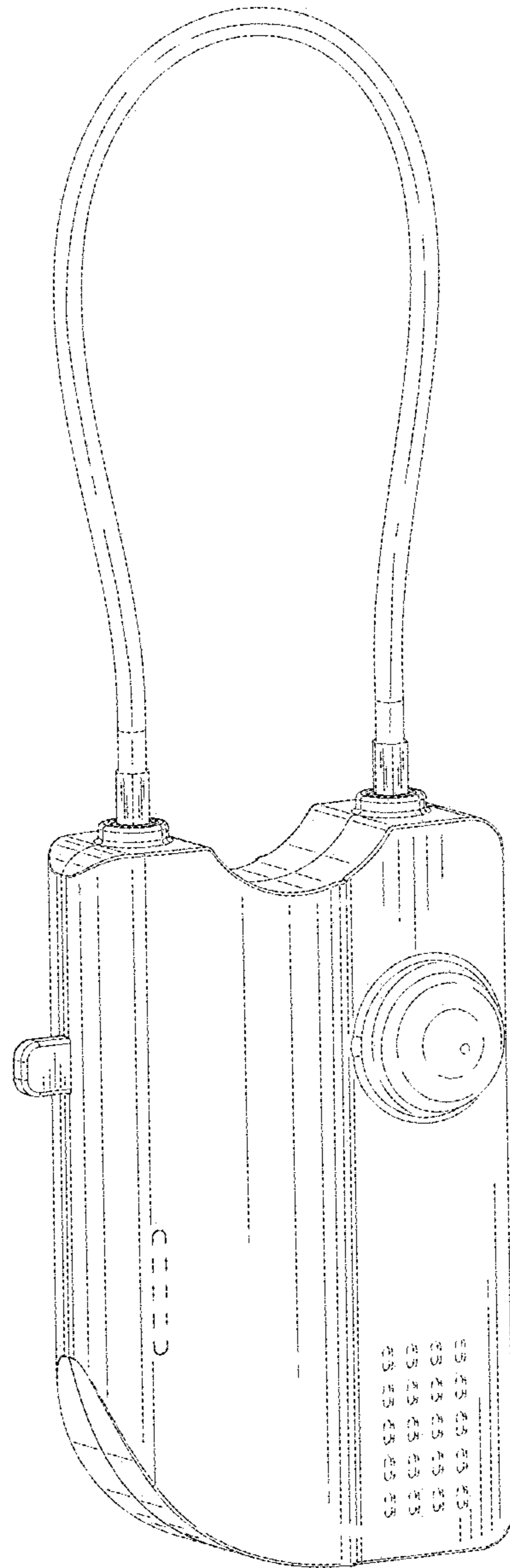


FIG. 1

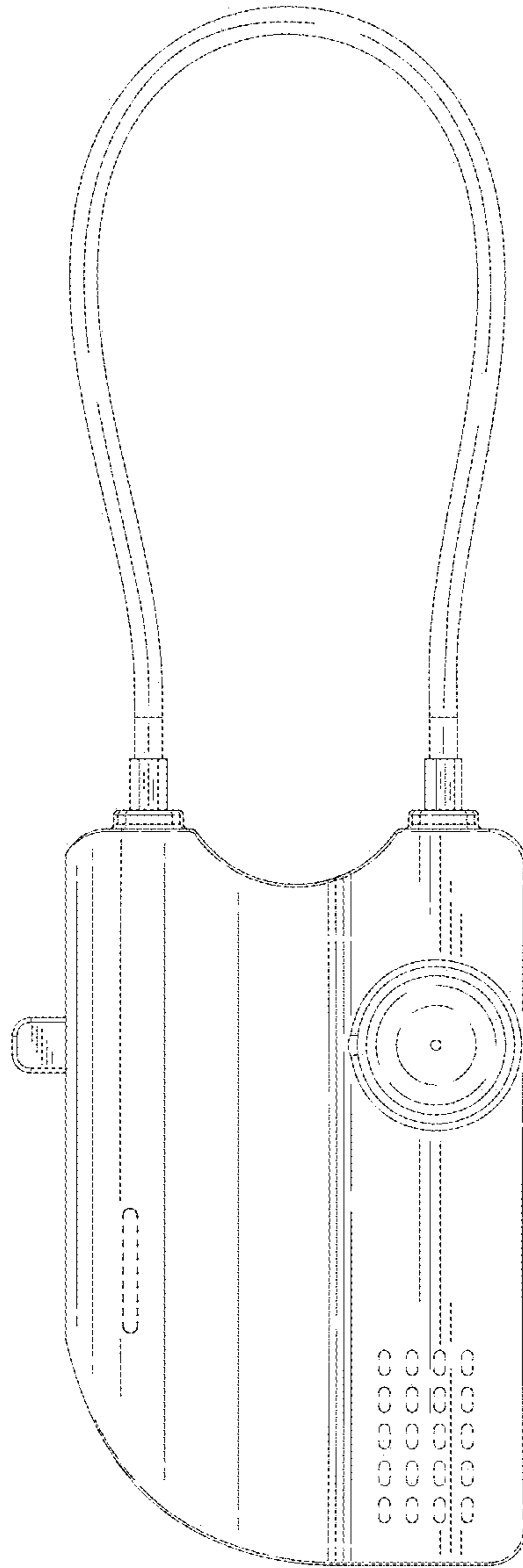


FIG. 2

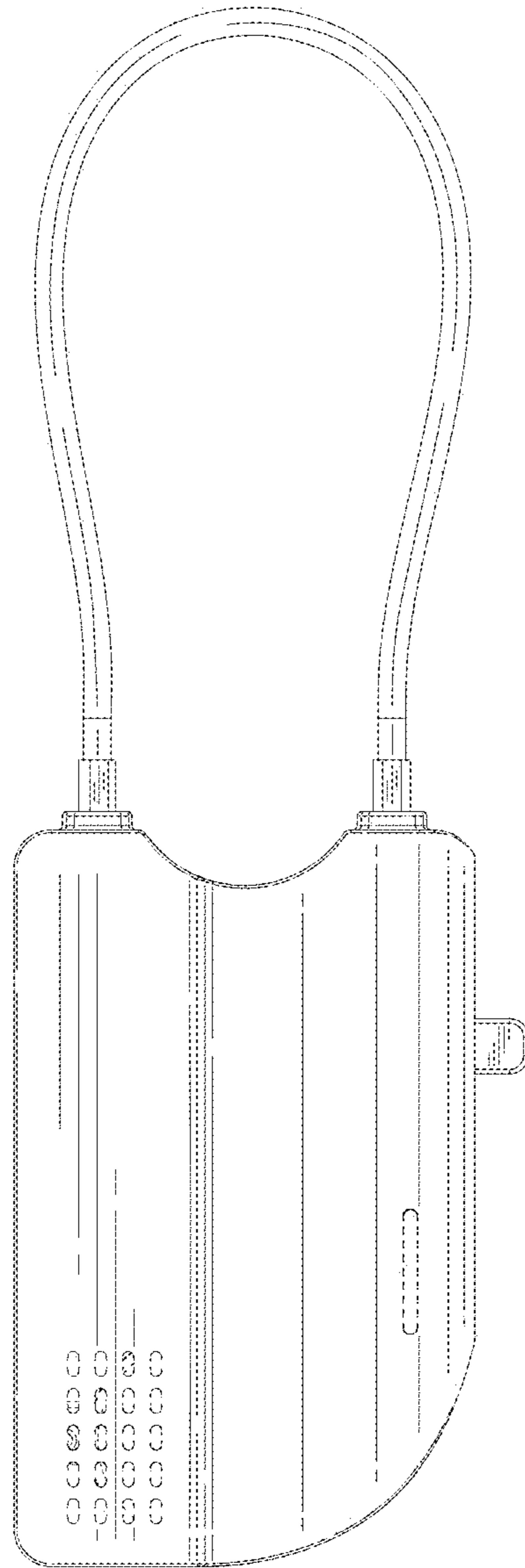


FIG. 3

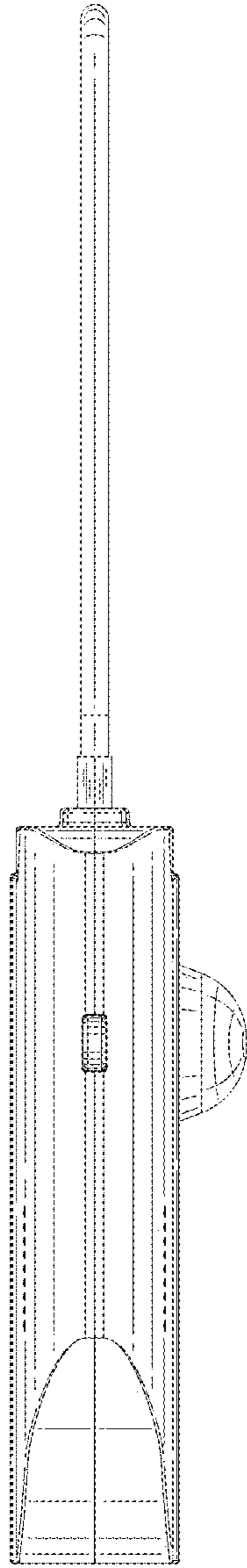


FIG. 4

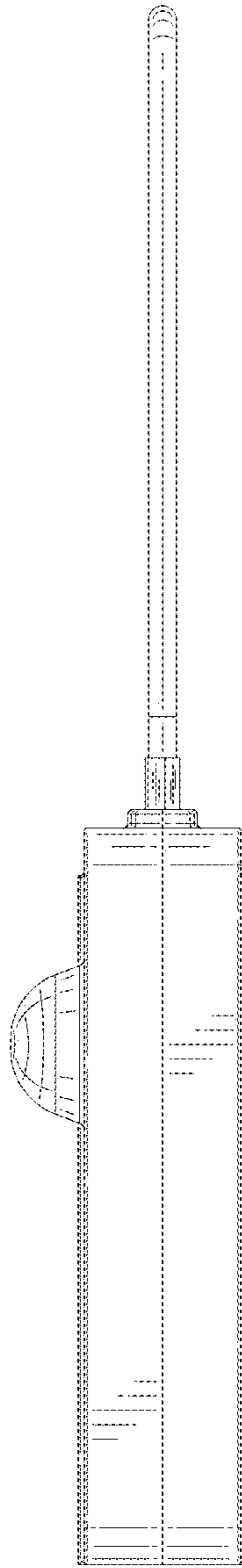


FIG. 5

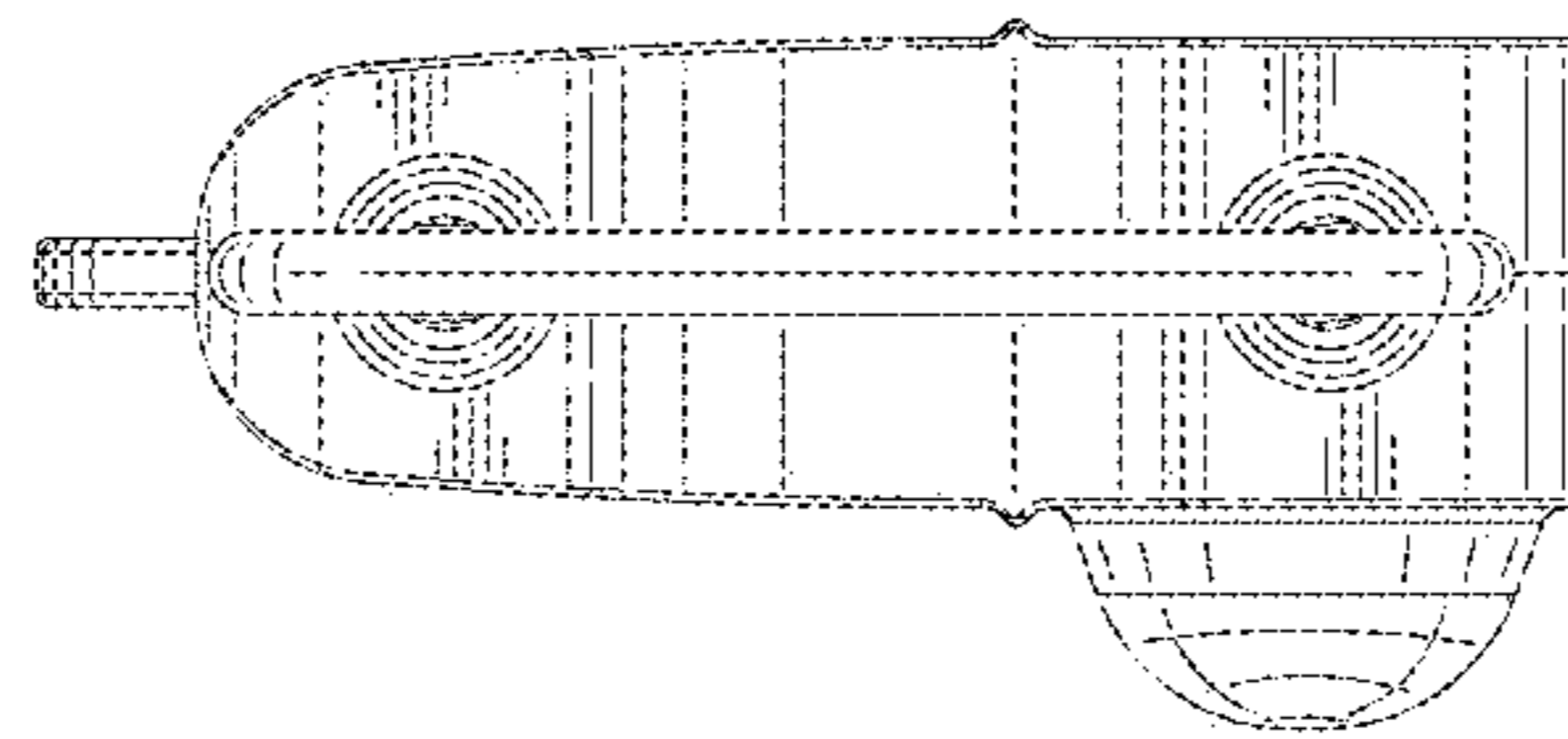


FIG. 6

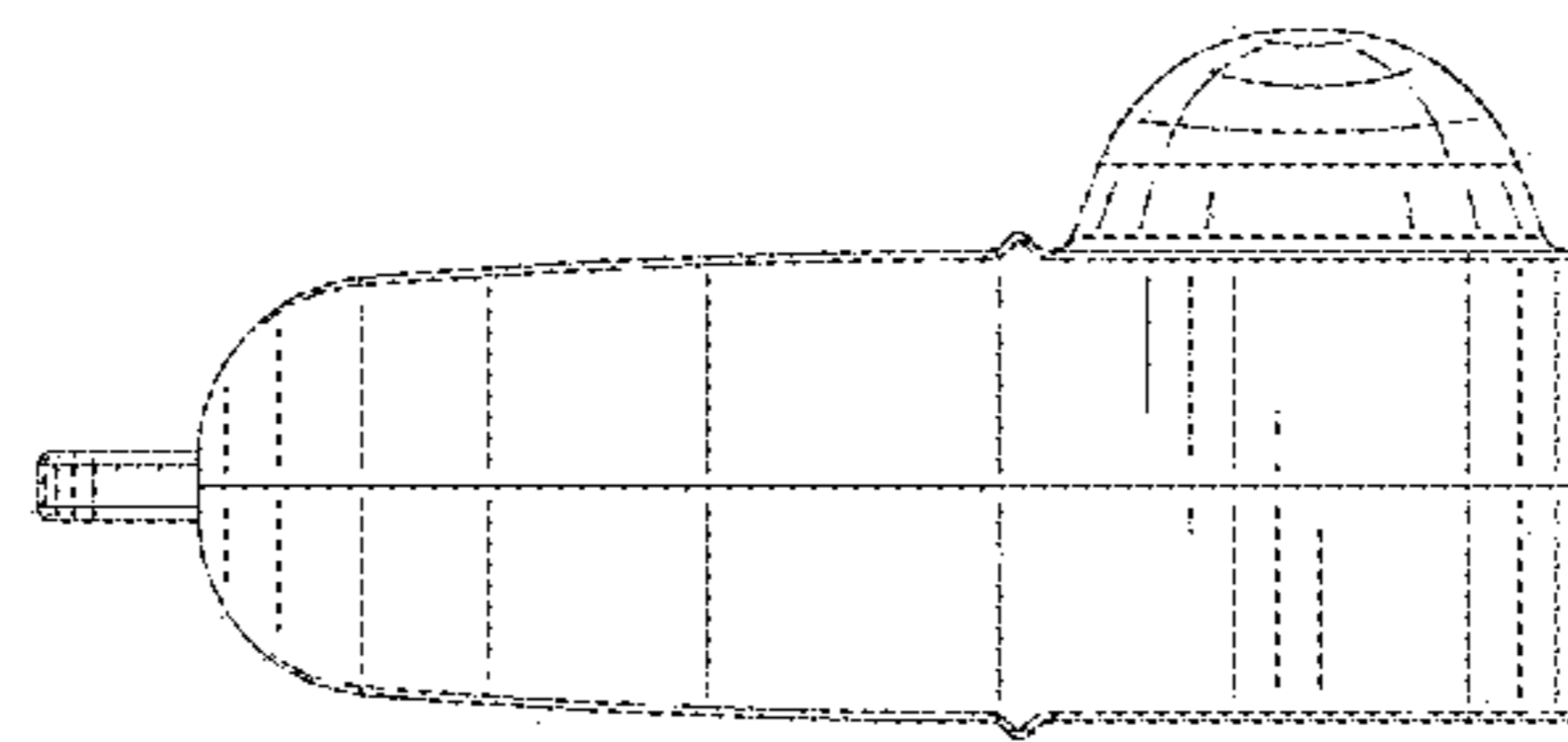


FIG. 7

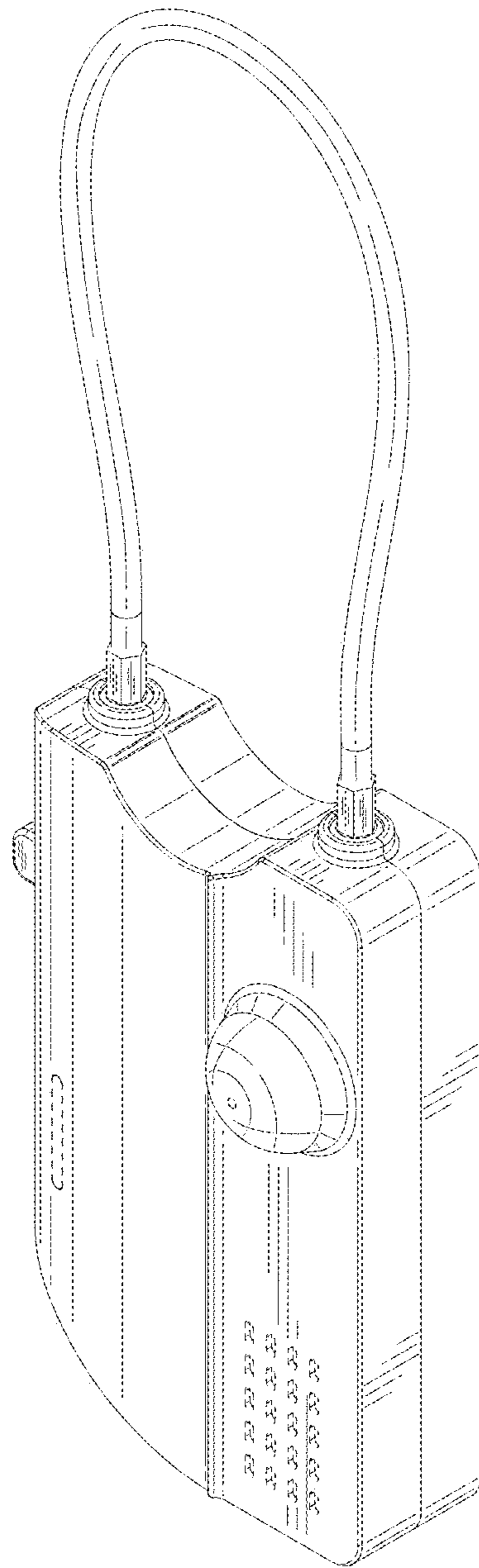


FIG. 8