



US00D880322S

(12) **United States Design Patent**
Goodman

(10) **Patent No.:** **US D880,322 S**

(45) **Date of Patent:** **** Apr. 7, 2020**

(54) **TAPE MEASURE HOLDER**

(71) Applicant: **Keith B. Goodman**, Pierre, SD (US)

(72) Inventor: **Keith B. Goodman**, Pierre, SD (US)

(**) Term: **15 Years**

(21) Appl. No.: **29/661,564**

(22) Filed: **Aug. 29, 2018**

(51) **LOC (12) Cl.** **10-08**

(52) **U.S. Cl.**
USPC **D10/74**

(58) **Field of Classification Search**
USPC D10/74
CPC A45F 5/021; A45F 2200/0575; A45F 5/00;
A45F 5/02; G01B 3/1071; G01B
2003/1074; G01B 3/10; Y10S 224/904
See application file for complete search history.

(56) **References Cited**

U.S. PATENT DOCUMENTS

D390,795 S * 2/1998 LaFrance D10/74
D559,714 S * 1/2008 Liao D10/74

* cited by examiner

Primary Examiner — Antoine Duval Davis

(74) *Attorney, Agent, or Firm* — The Iwashko Law Firm, PLLC; Lev Ivan Gabriel Iwashko

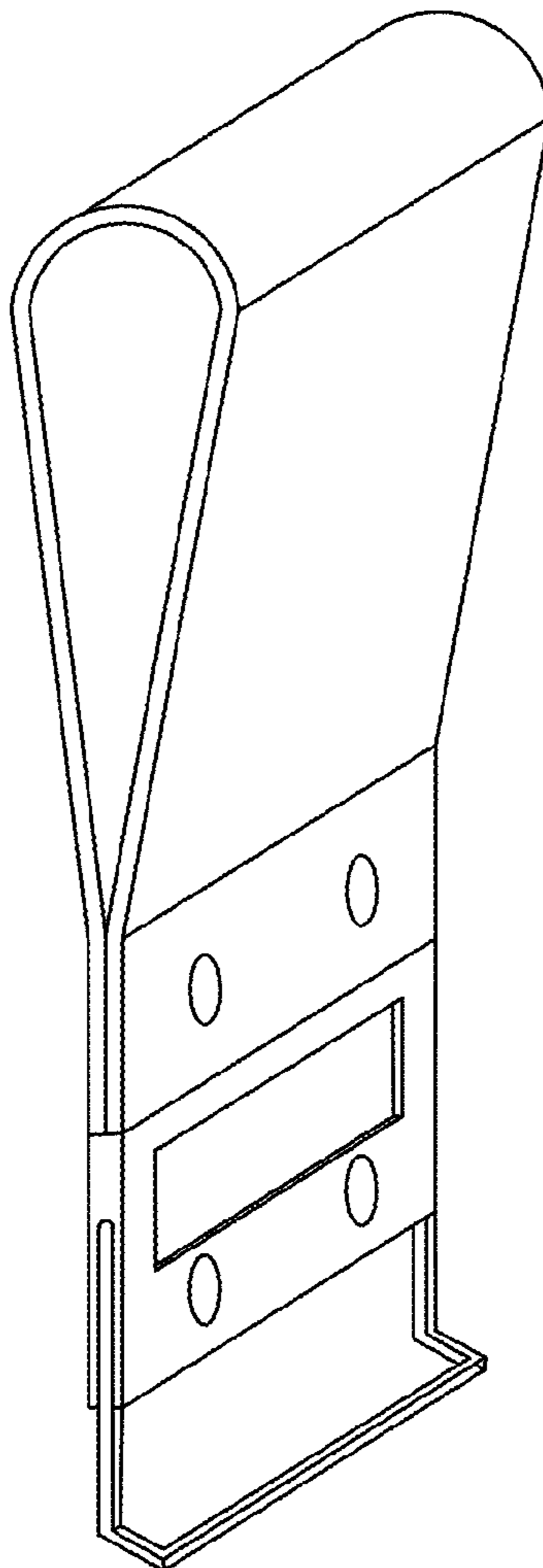
(57) **CLAIM**

The ornamental design for a tape measure holder, as shown and described.

DESCRIPTION

FIG. 1 is a side perspective view of a tape measure holder showing my new design; and, FIG. 2 is a side perspective view of the tape measure holder with a tape measure attached. The broken lines showing of the tape measure in FIG. 2 is for the purpose of depicting the tape measure holder with the tape measure attached and forms no part of the claimed design.

1 Claim, 2 Drawing Sheets



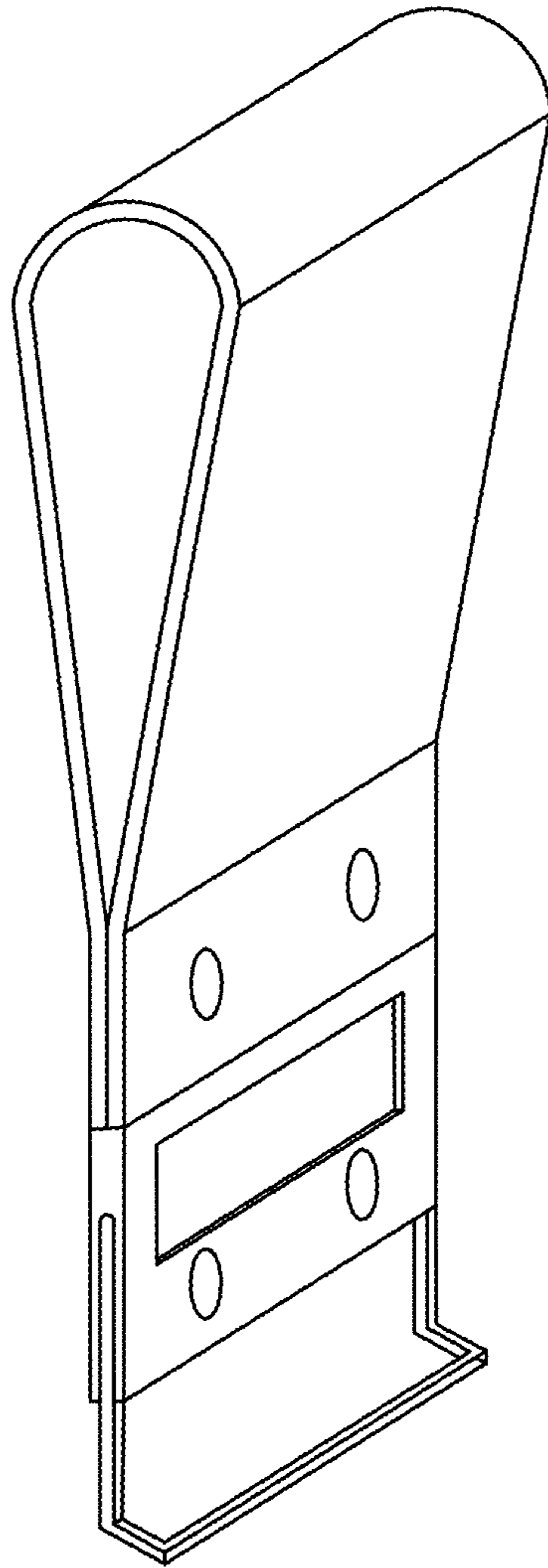


FIG. 1

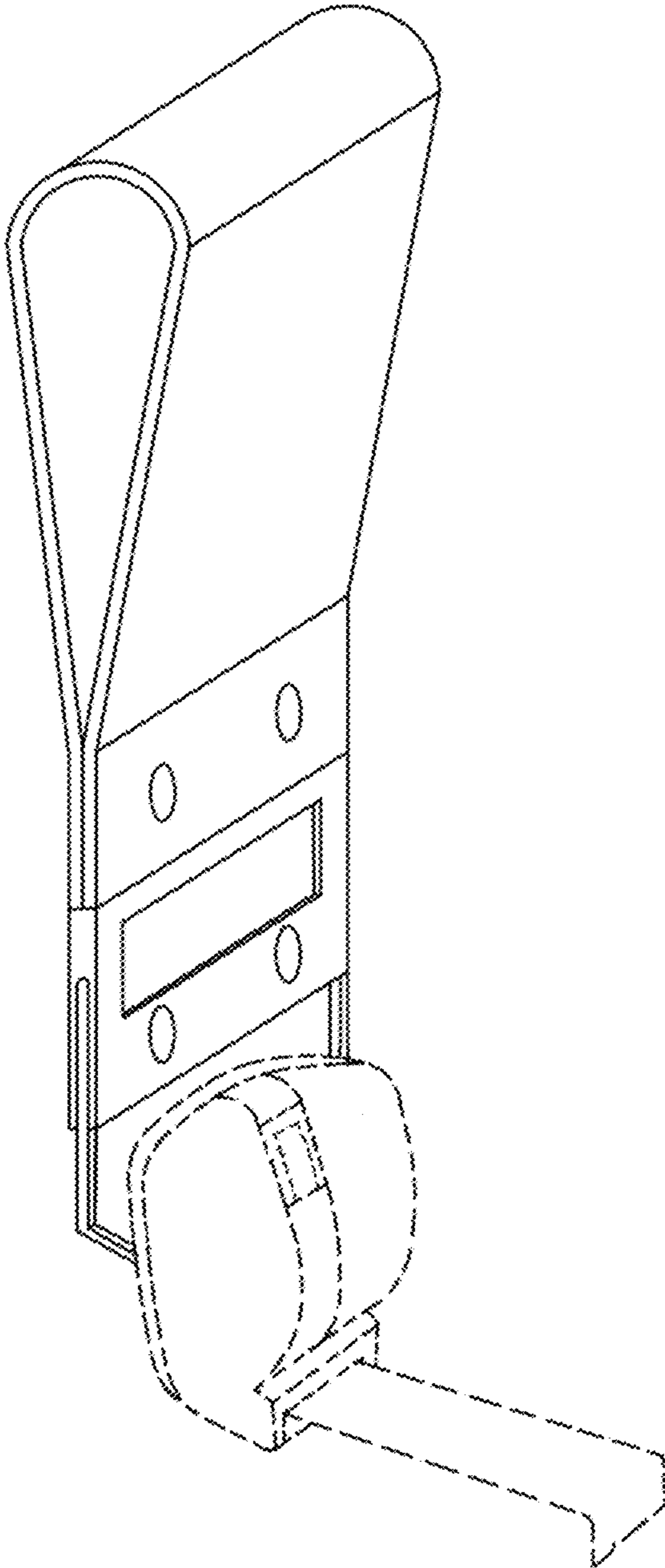


FIG. 2