



US00D880317S

(12) **United States Design Patent**
De Castellane

(10) **Patent No.: US D880,317 S**

(45) **Date of Patent: ** Apr. 7, 2020**

(54) **WATCH**

(56) **References Cited**

(71) Applicant: **CHRISTIAN DIOR COUTURE**, Paris (FR)

U.S. PATENT DOCUMENTS

(72) Inventor: **Victoire De Castellane**, Paris (FR)

D313,187 S	*	12/1990	Muller	D10/39
D646,184 S	*	10/2011	Duport	D10/39
D737,694 S	*	9/2015	Engelbrecht	D10/126
D835,522 S	*	12/2018	Dietrich	D10/32
D848,290 S	*	5/2019	Janzen	D10/39
D858,315 S	*	9/2019	Monachon	D10/39

(**) Term: **15 Years**

* cited by examiner

(21) Appl. No.: **35/506,106**

Primary Examiner — George D. Kirschbaum

(22) Filed: **Sep. 21, 2018**

(57) **CLAIM**

(80) **Hague Agreement Data**

The ornamental design for a watch, as shown and described.

Int. Filing Date: **Sep. 21, 2018**

DESCRIPTION

Int. Reg. No.: **DM/103744**

Int. Reg. Date: **Sep. 21, 2018**

Int. Reg. Pub. Date: **Nov. 30, 2018**

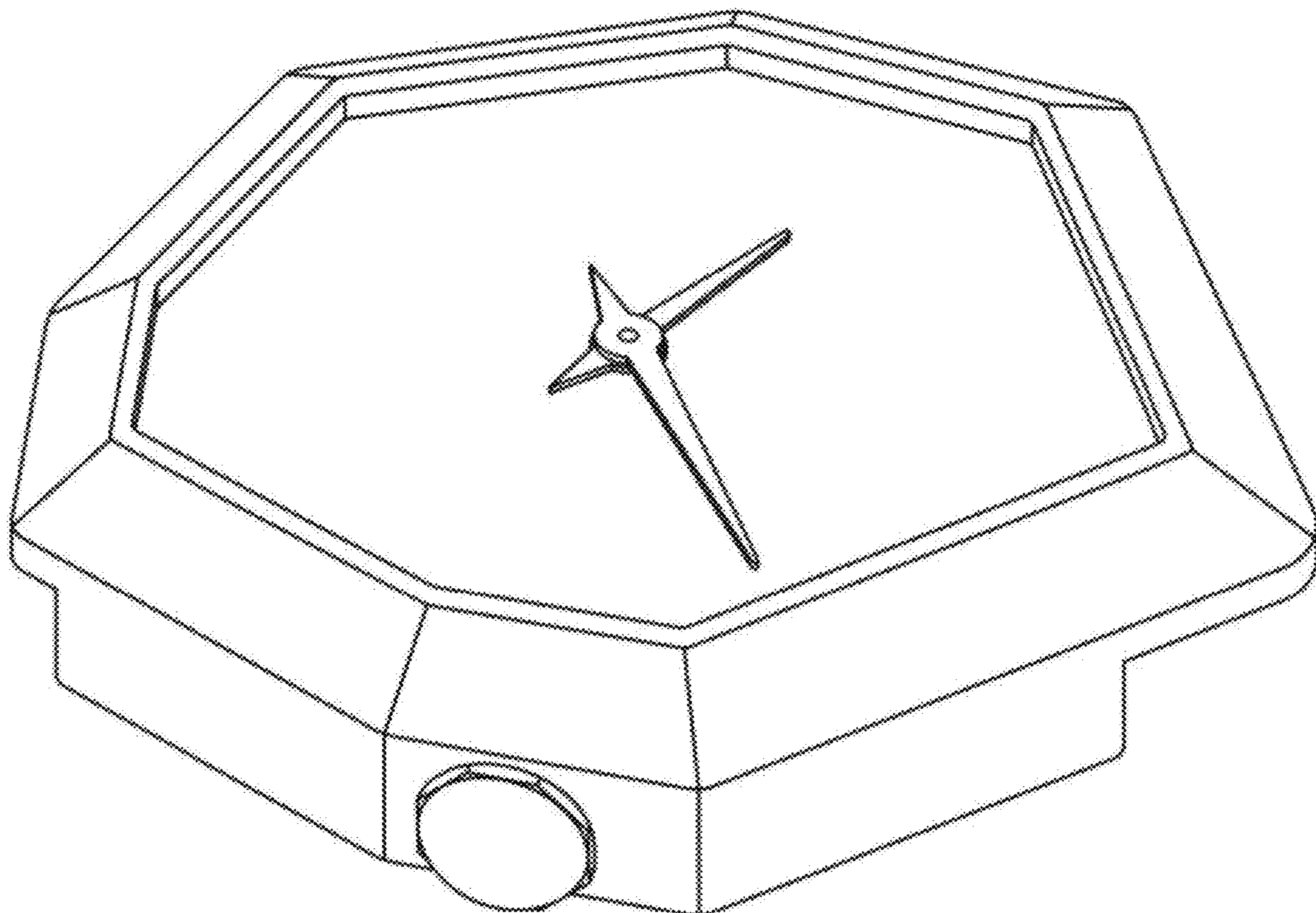
- 1.1 is a front view of a watch showing my new design;
- 1.2 is a bottom view thereof;
- 1.3 is a top view thereof;
- 1.4 is a left view thereof;
- 1.5 is a right side view thereof;
- 1.6 is a right, perspective view thereof;
- 1.7 is a second perspective view thereof; and
- 1.8 is a back view thereof.

(51) **LOC (12) Cl.** **10-02**

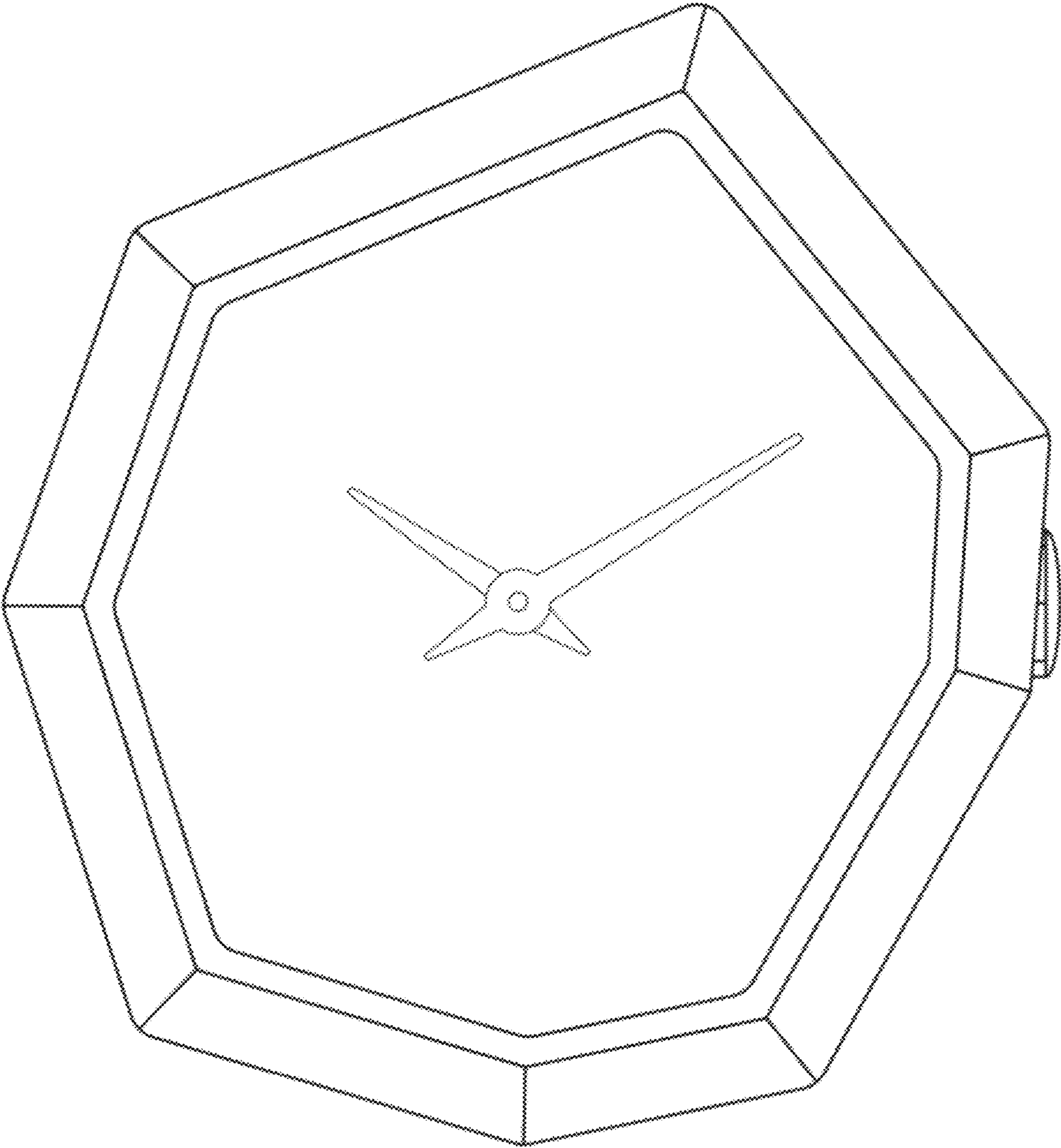
(52) **U.S. Cl.**
USPC **D10/39**

(58) **Field of Classification Search**
USPC D10/30, 32, 39, 126
See application file for complete search history.

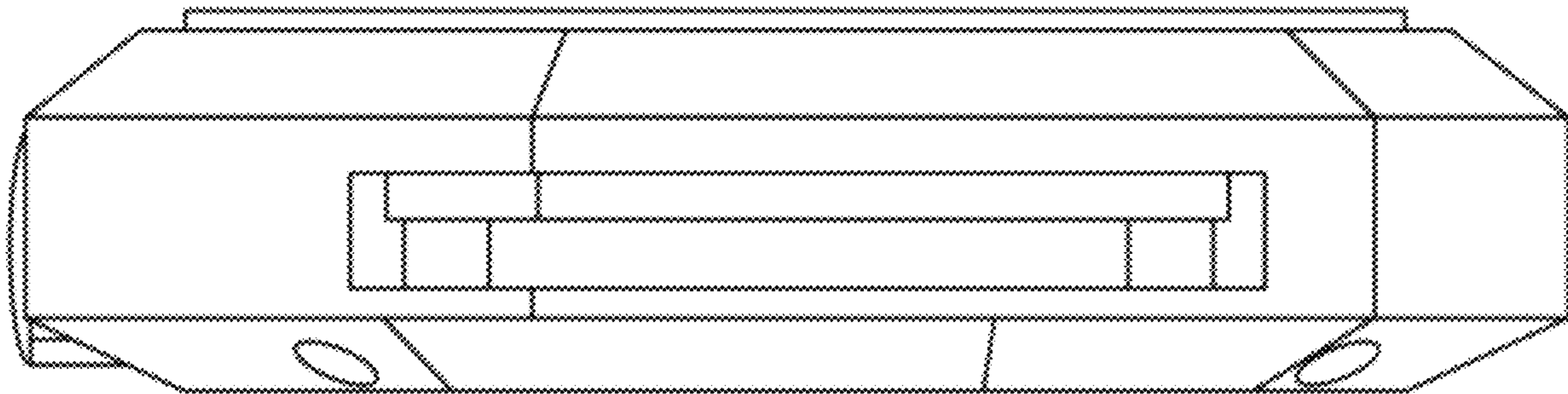
1 Claim, 8 Drawing Sheets



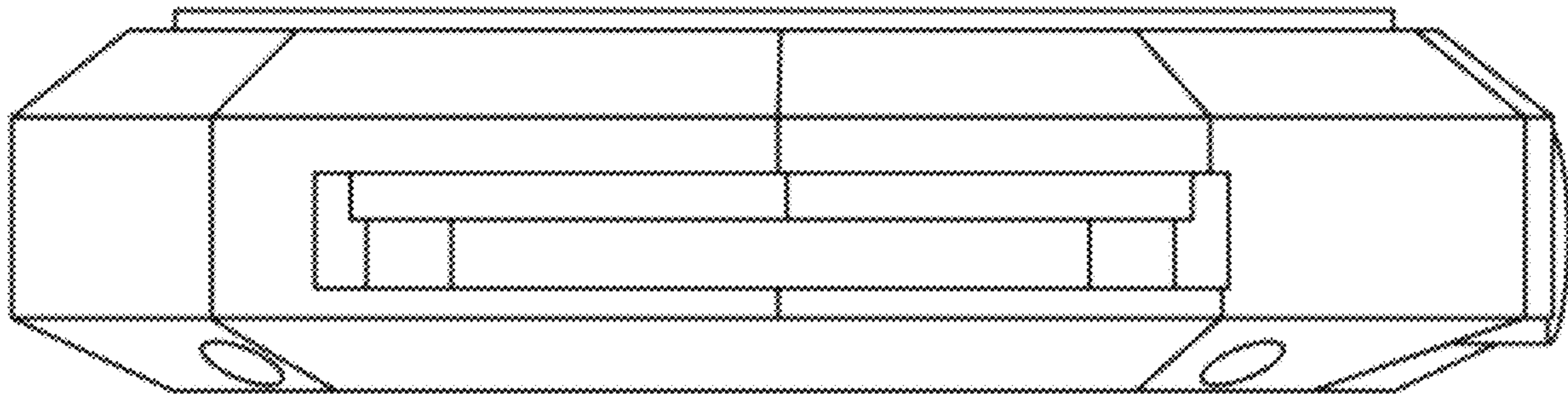
1.1



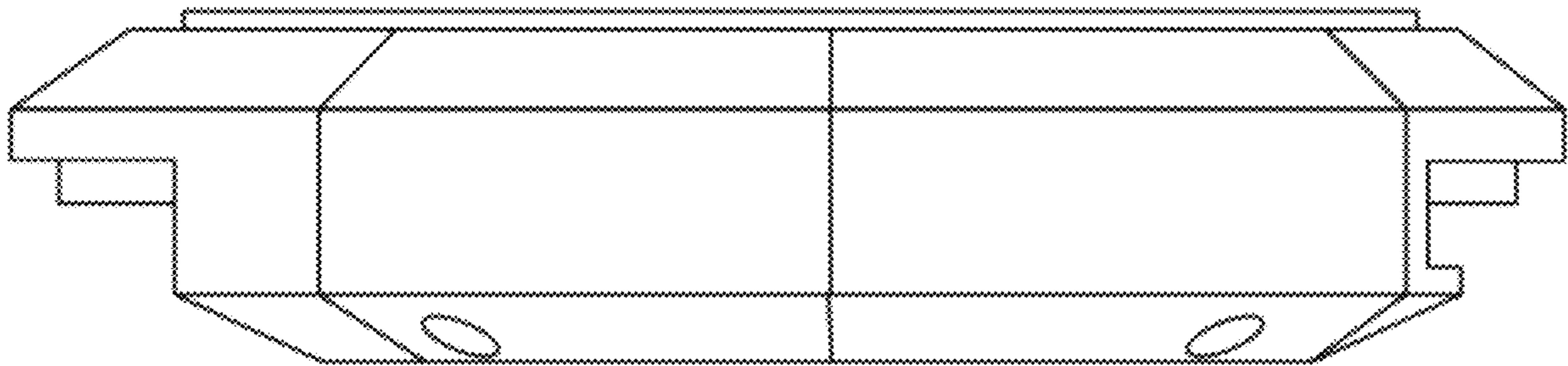
1.2



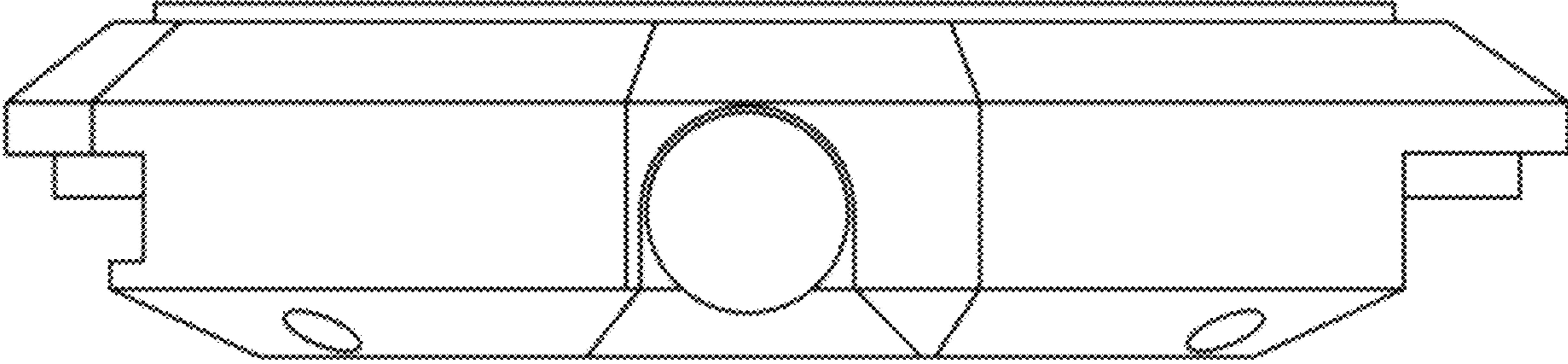
1.3



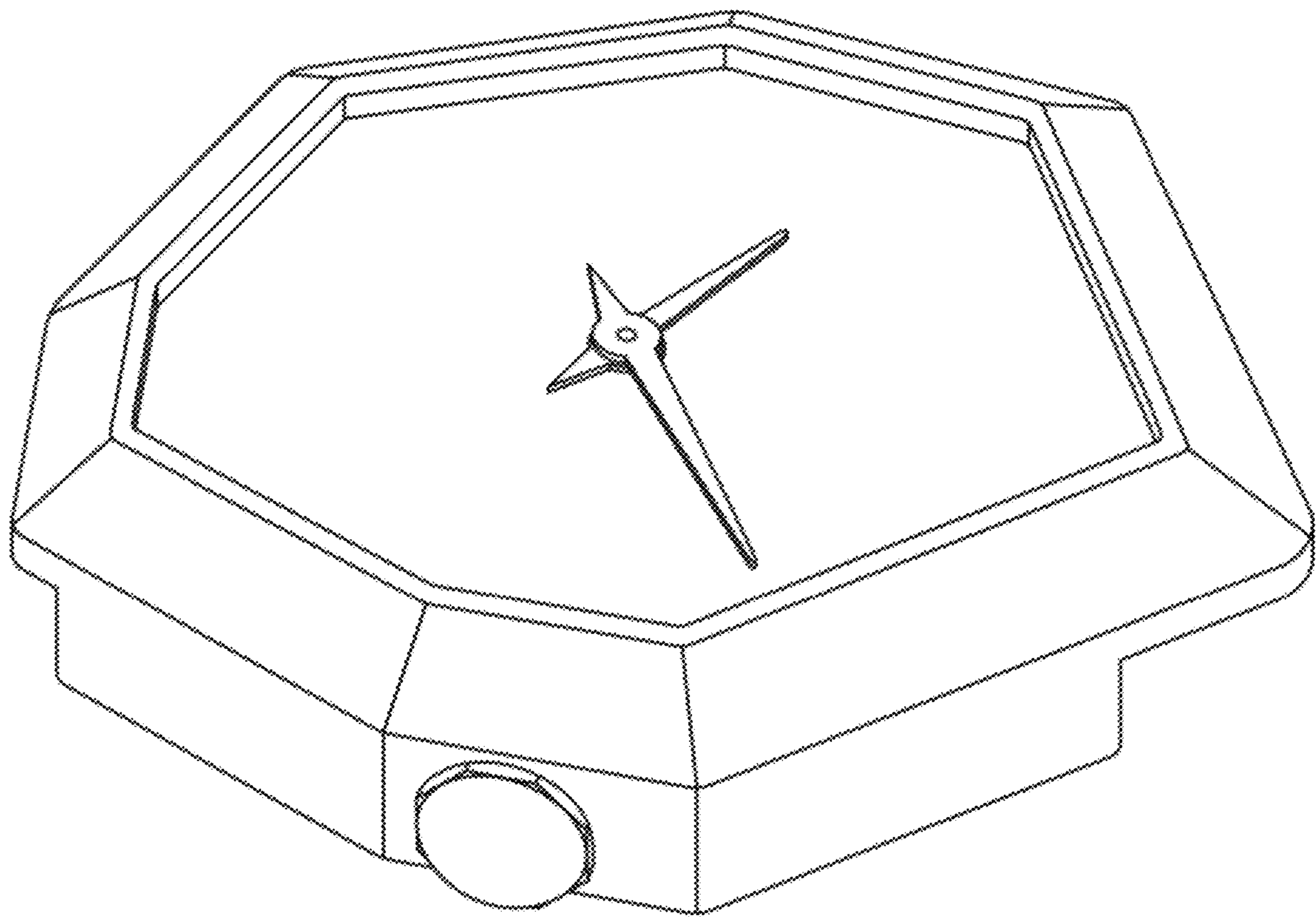
1.4



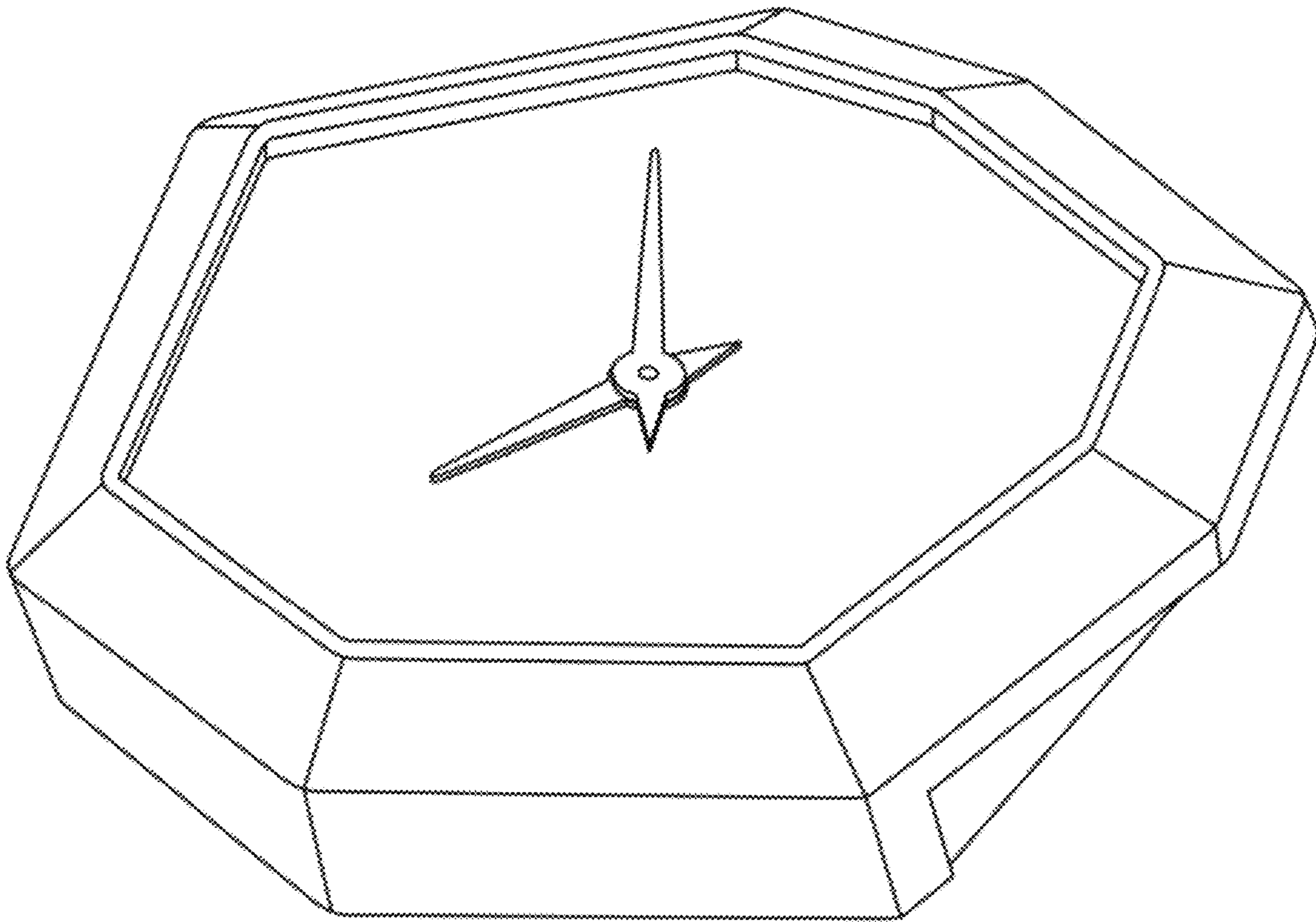
1.5



1.6



1.7



1.8

