



US00D880313S

(12) **United States Design Patent** (10) **Patent No.:** **US D880,313 S**
Fletcher et al. (45) **Date of Patent:** **** *Apr. 7, 2020**

(54) **CONTAINER**

CPC B65D 1/04; B65D 1/06; B65D 81/3205;
B65D 11/04; B65D 21/0201; B65D
21/0204; B65D 21/0205; B65D 21/0209;
(Continued)

(71) Applicant: **IDEXX Laboratories, Inc.**, Westbrook,
ME (US)

(72) Inventors: **Michael Fletcher**, Portland, ME (US);
David L. Connolly, Eliot, ME (US);
Anne Leavitt, Gorham, ME (US);
Matthew M. Furtney, Freeport, ME
(US); **Daniel O'Sullivan**, Mont Vernon,
NH (US); **Christopher Labak**,
Brookline, NH (US); **Christopher**
Aiston, Mont Vernon, NH (US)

(56) **References Cited**

U.S. PATENT DOCUMENTS

2,753,990 A 7/1956 Chalfin et al.
4,592,478 A 6/1986 Laconis
(Continued)

FOREIGN PATENT DOCUMENTS

EP 2194385 A1 6/2010
WO 2013173524 A2 11/2013

(73) Assignee: **IDEXX LABORATORIES, INC.**,
Westbrook, ME (US)

(*) Notice: This patent is subject to a terminal dis-
claimer.

(**) Term: **15 Years**

(21) Appl. No.: **29/708,888**

(22) Filed: **Oct. 10, 2019**

OTHER PUBLICATIONS

Partial International Search Report issued by the European Patent
Office acting as the International Searching Authority on May 21,
2019 in corresponding International Application No. PCT/US2019/
026405.

Primary Examiner — W. A. Teddy Falloway
(74) *Attorney, Agent, or Firm* — Carter, Deluca & Farrell
LLP

Related U.S. Application Data

(60) Division of application No. 29/686,044, filed on Apr.
2, 2019, now Pat. No. Des. 876,961, which is a
(Continued)

(51) **LOC (12) Cl.** **09-01**

(52) **U.S. Cl.**
USPC **D9/741; D9/743; D9/524**

(58) **Field of Classification Search**
USPC D9/737, 738, 739, 740, 741, 742, 743,
D9/744, 745, 746, 747, 516, 524–528,
D9/549, 684, 719, 573–575;
D7/509–511, 563, 573, 590, 513, 300,
D7/308, 312, 315, 601, 602, 619.1, 622;
D3/202; 220/505, 504, 288, 709, 23.4,
220/23.8, 23.88, 633, 916, 660, 669;
264/532; 222/129, 94, 135; 215/6, 10,
215/216

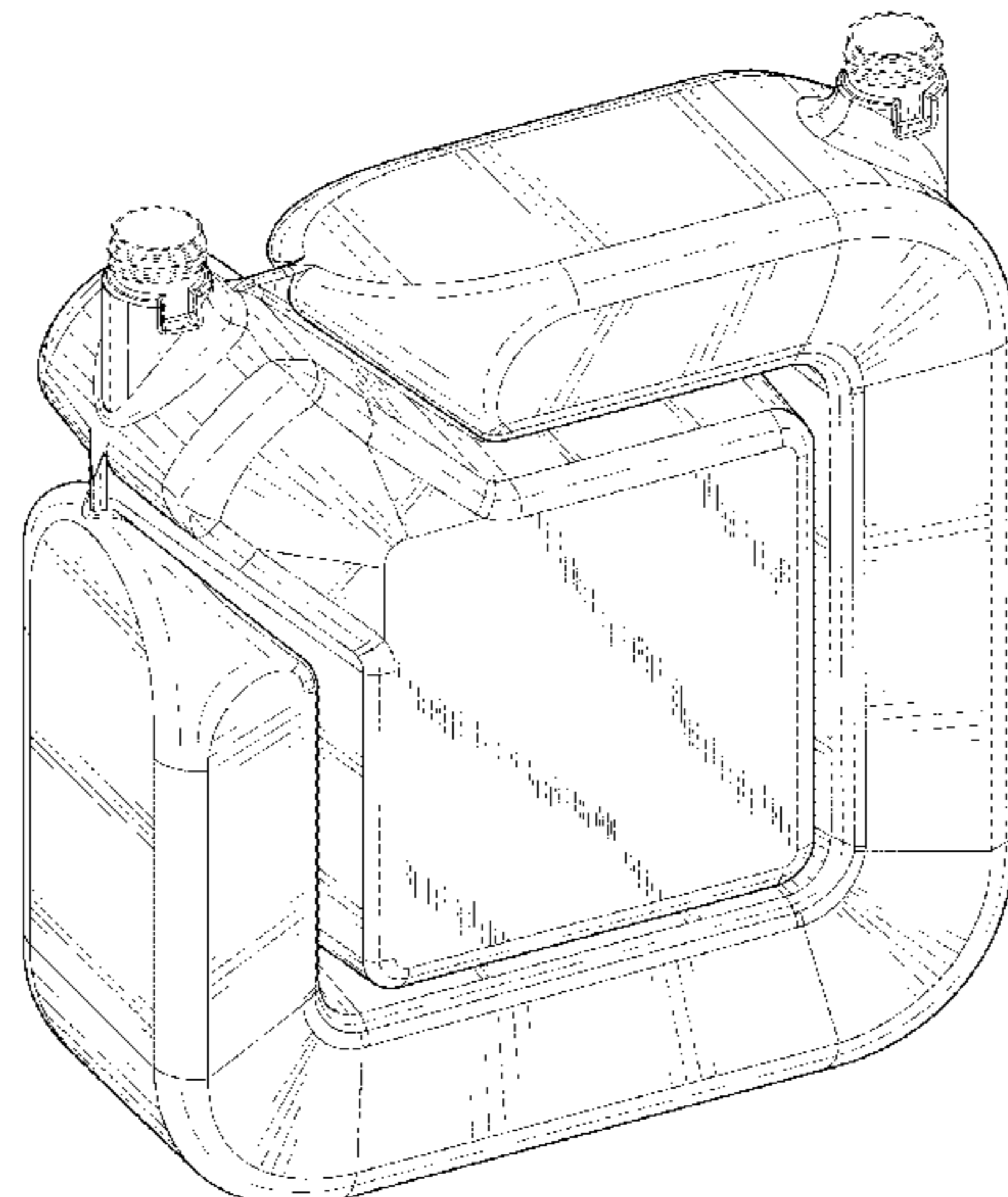
(57) **CLAIM**

The ornamental design for a container, as shown and
described.

DESCRIPTION

FIG. 1 is a perspective view of a container in accordance
with the present design;
FIG. 2 is a bottom plan view thereof;
FIG. 3 is a top plan view thereof;
FIG. 4 is a left side elevational view thereof;
FIG. 5 is a right side elevational view thereof;
FIG. 6 is a front elevational view thereof; and,
FIG. 7 is a rear elevational view thereof.

(Continued)



The broken lines shown in the drawings illustrate portions of the container that form no part of the claimed design. (56)

1 Claim, 5 Drawing Sheets

Related U.S. Application Data

continuation-in-part of application No. 29/642,606, filed on Mar. 30, 2018, now Pat. No. Des. 876,960.

(58) **Field of Classification Search**

CPC .. B65D 25/04; B65D 51/249; B65D 81/3288; B65D 1/02; B65D 2501/0081; B65D 81/3244; B65D 83/40; B65D 83/68; B65D 81/3222; B65D 23/001; B65D 35/22; B65D 47/06; B65D 83/682; B65D 15/08; B65D 1/16; B65D 1/48; B65D 25/20; B05B 11/0081; B05B 11/30; B05B 11/0037; B05B 11/0056; B05B 11/3081; A47G 2019/122; A61J 1/2093; A45F 3/20
See application file for complete search history.

References Cited

U.S. PATENT DOCUMENTS

D292,267 S	10/1987	Costa
D292,268 S	10/1987	Costa
D302,521 S	8/1989	Grinde
D302,658 S	8/1989	Grinde
4,881,652 A	11/1989	Schiemann
4,889,255 A	12/1989	Schiemann
D315,867 S	4/1991	Hestehave et al.
D361,509 S	8/1995	Dull et al.
D378,191 S	2/1997	Wehrle et al.
5,692,626 A	12/1997	Wehrle et al.
D536,989 S	2/2007	Reyes et al.
D541,175 S	4/2007	Burns et al.
D559,119 S	1/2008	Stengel
D617,659 S	6/2010	Renz et al.
8,641,891 B1	2/2014	Crowder
D706,645 S	6/2014	Jennings et al.
D795,082 S	8/2017	Gonzalez
D829,568 S	10/2018	Vlahakis et al.
2003/0173364 A1	9/2003	Eva et al.
2005/0074361 A1	4/2005	Tanoshima et al.
2011/0014095 A1	1/2011	Ueda et al.

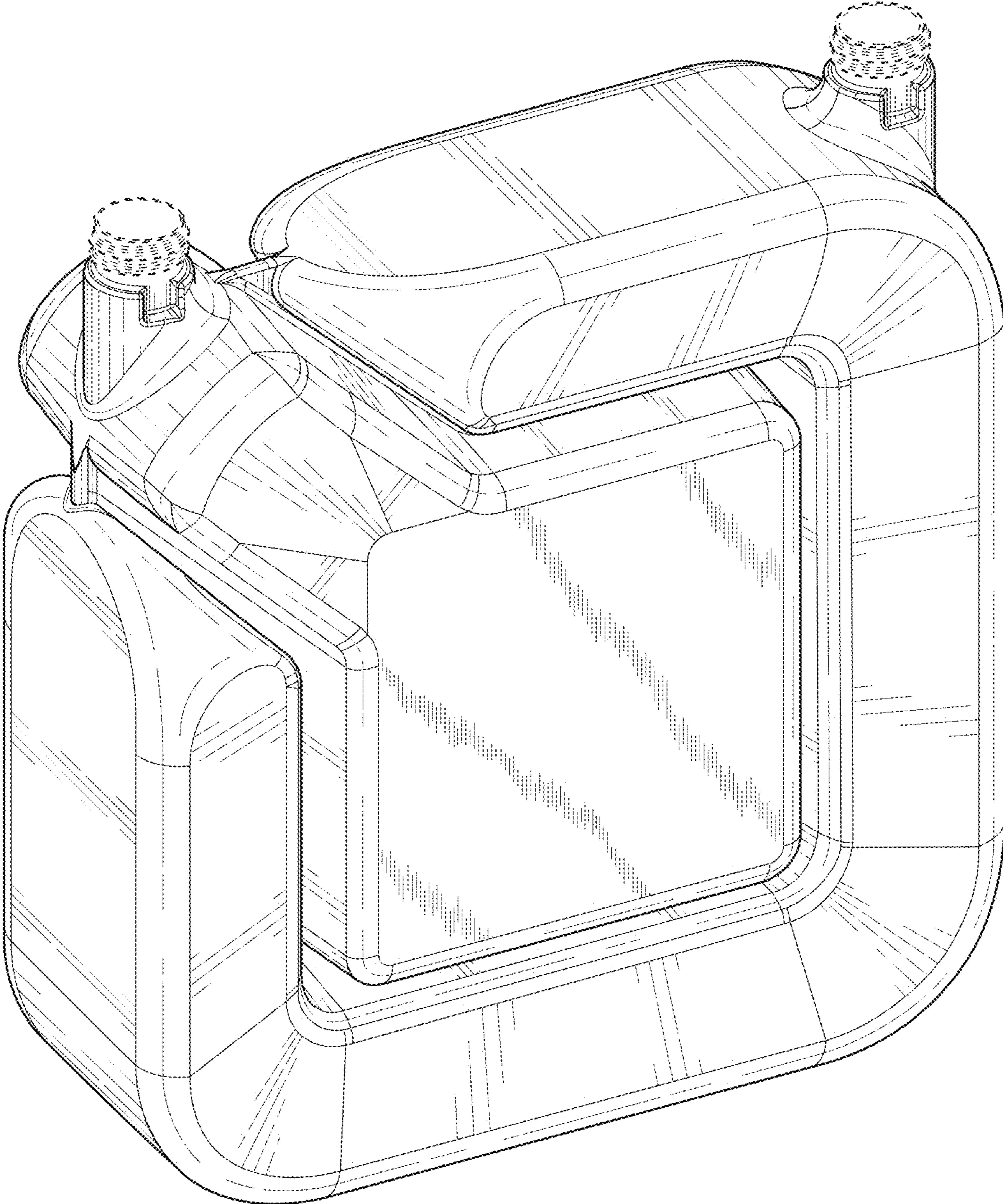


FIG. 1

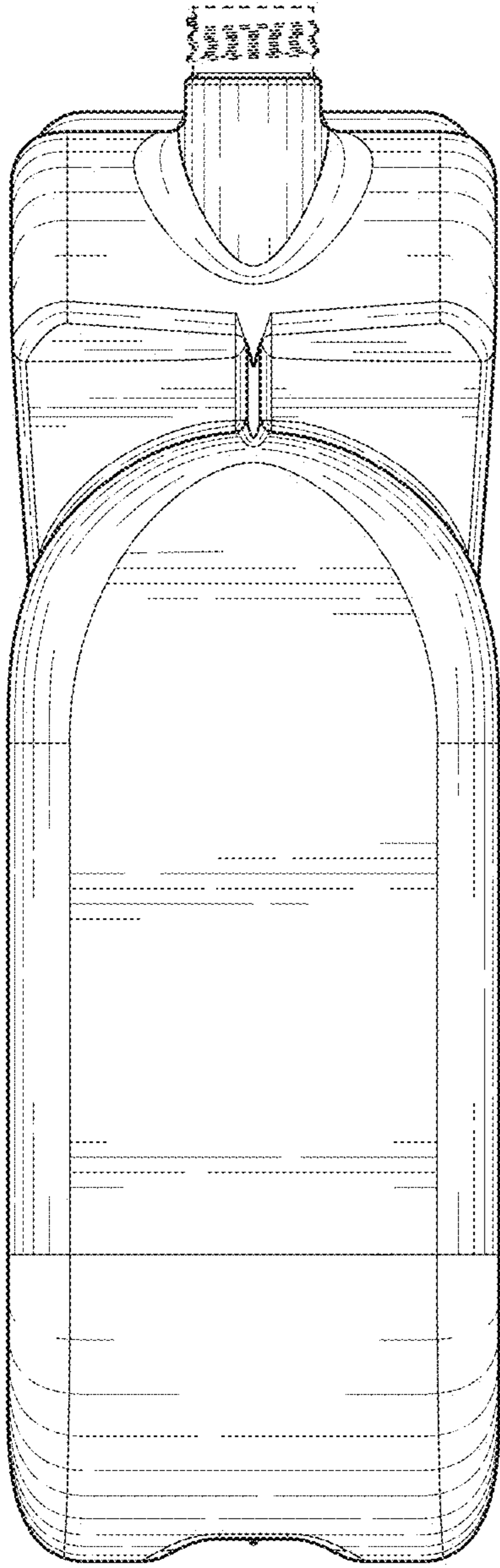


FIG. 2

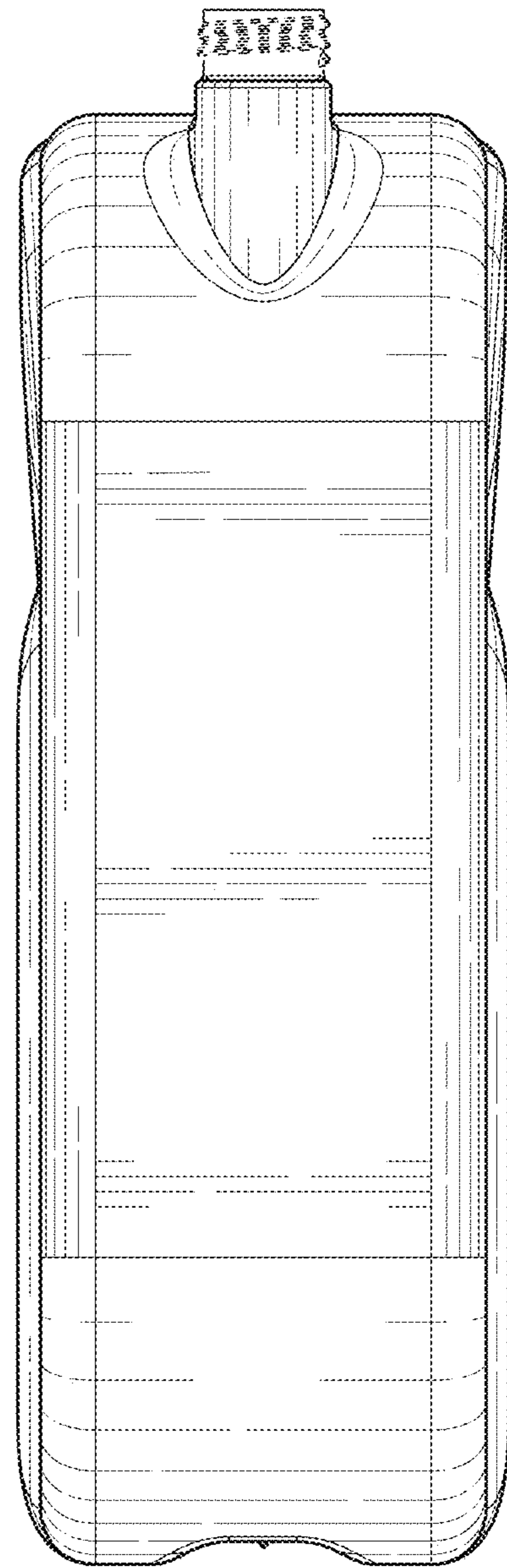


FIG. 3

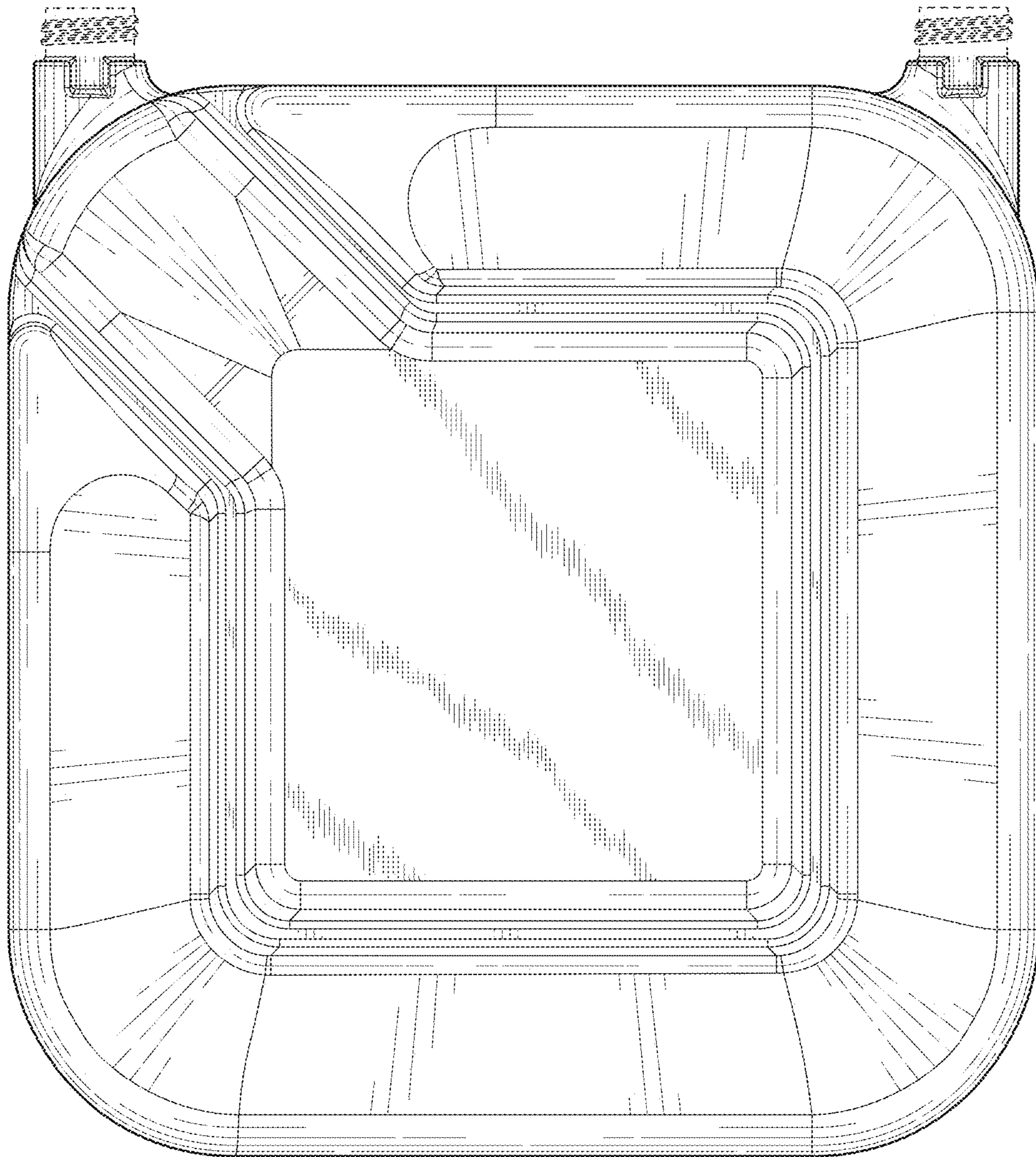


FIG. 4

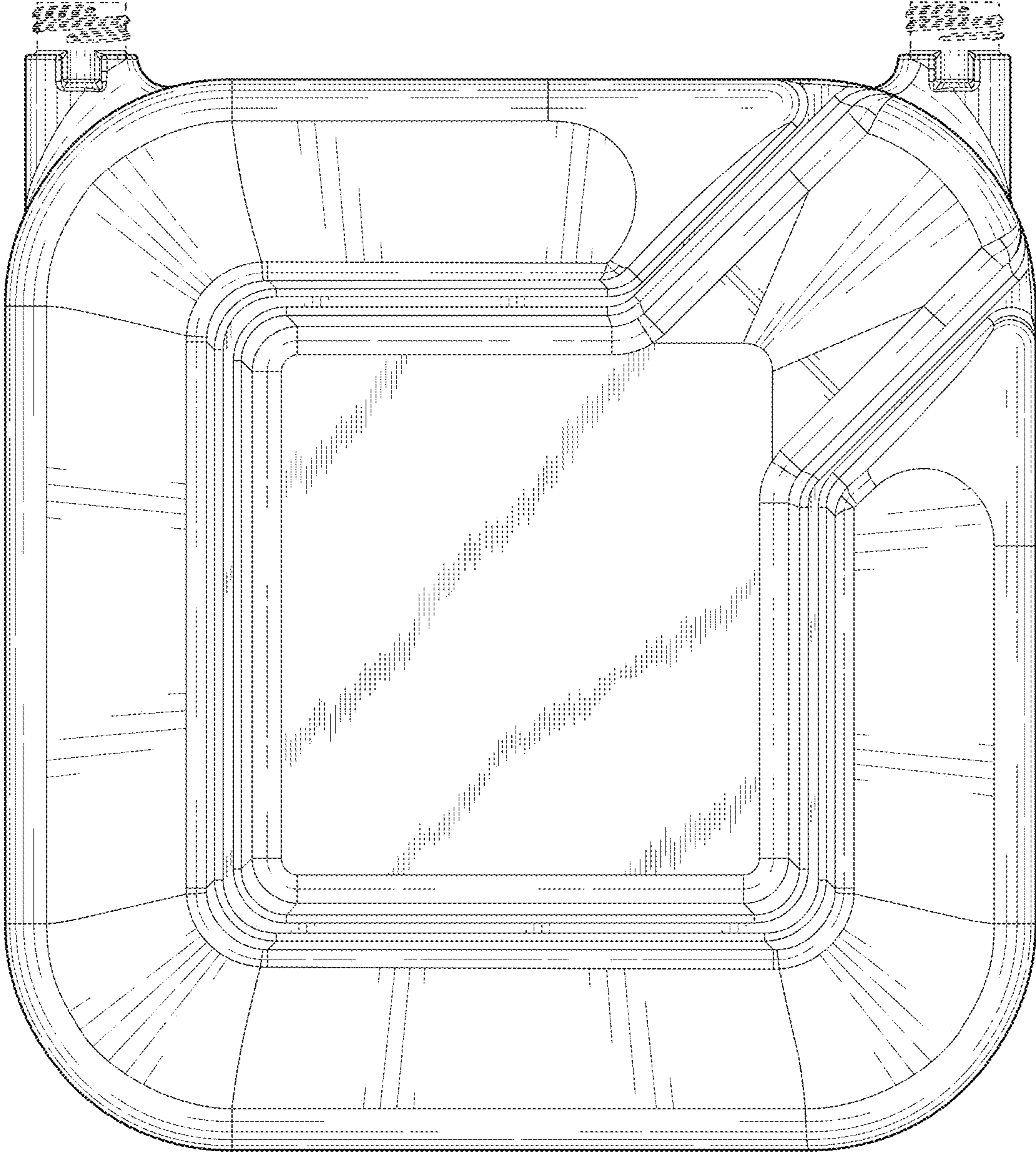


FIG. 5

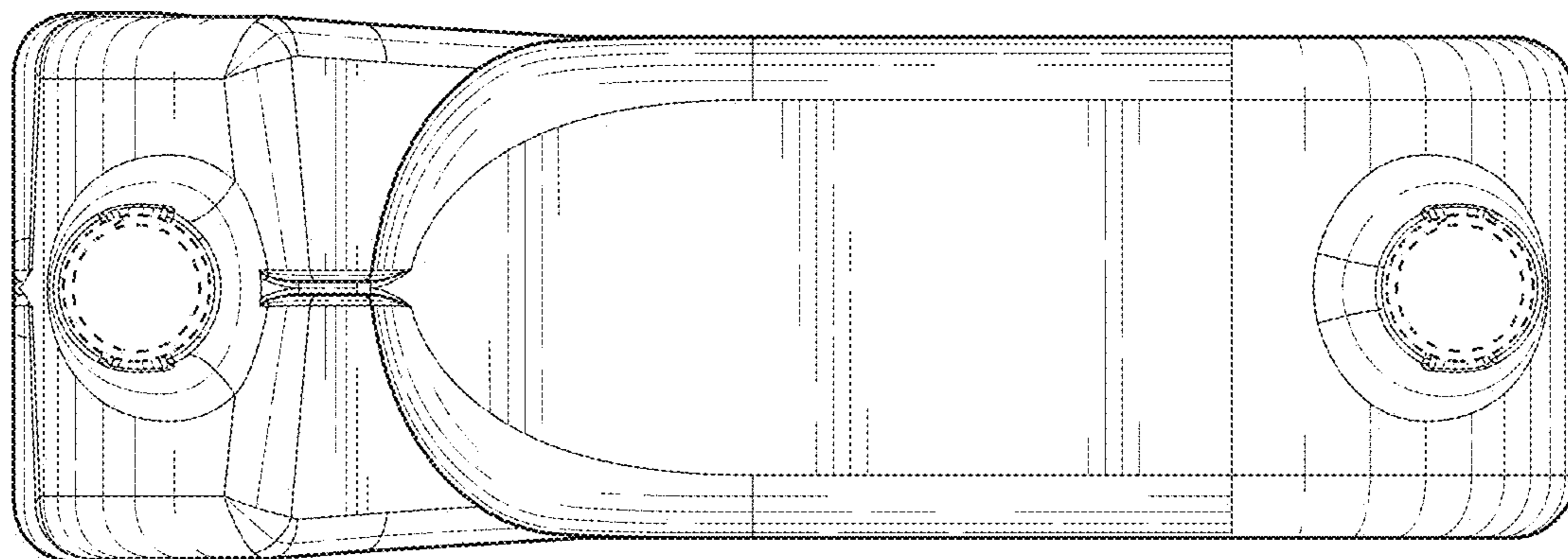


FIG. 6

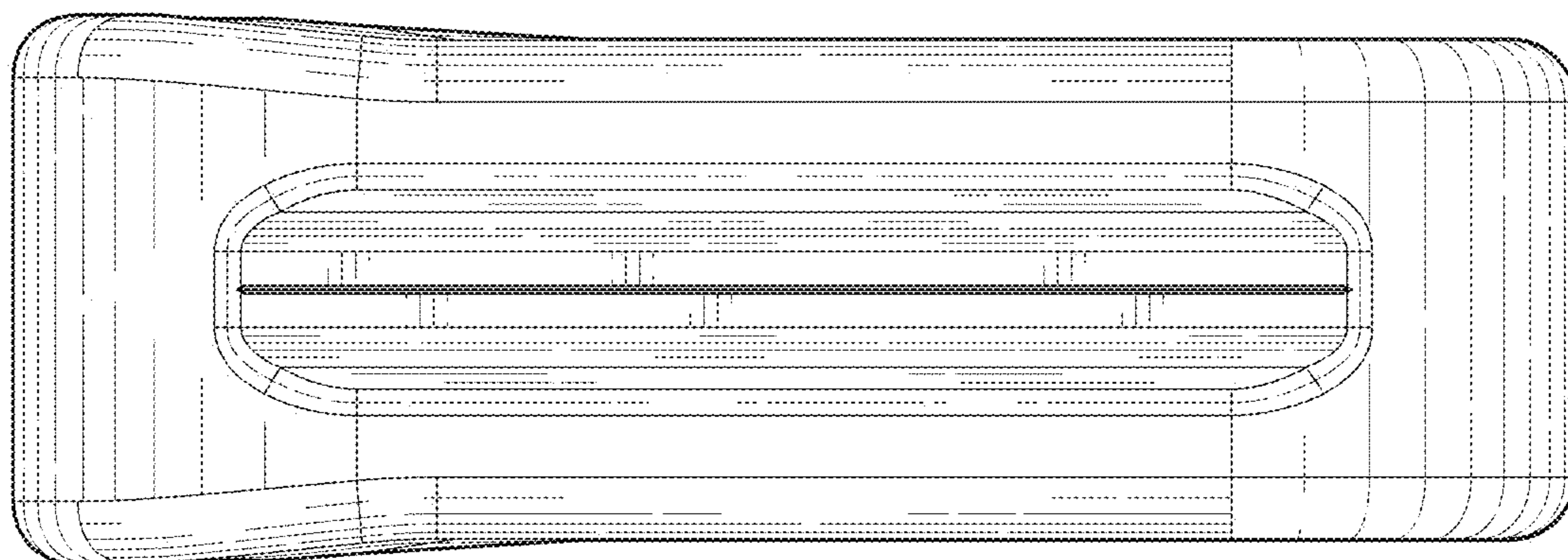


FIG. 7