

US00D880312S

(12) **United States Design Patent** (10) **Patent No.:** **US D880,312 S**  
**Kuwa et al.** (45) **Date of Patent:** **\*\* Apr. 7, 2020**

- (54) **BLISTER PACKAGE**
- (71) Applicant: **Maxell Holdings, Ltd.**, Otokuni-gun, Kyoto (JP)
- (72) Inventors: **Tadahiro Kuwa**, Kyoto (JP); **Keiko Yamanaka**, Kyoto (JP)
- (73) Assignee: **Maxell Holdings, Ltd.**, Kyoto (JP)
- (\*\*) Term: **15 Years**
- (21) Appl. No.: **29/714,435**
- (22) Filed: **Nov. 22, 2019**

5,537,389 A	7/1996	Kuwa	
D485,491 S *	1/2004	Kyne	D9/415
D496,268 S *	9/2004	Stamm, Jr.	D9/415
D503,334 S *	3/2005	Keating	D9/415
D534,795 S *	1/2007	Manuel	D9/424
D548,110 S *	8/2007	Pugh	D9/732
D548,617 S *	8/2007	Ferguson	D9/715
D565,403 S *	4/2008	Caine	D9/415
D579,347 S *	10/2008	Kohring	D9/735
D606,392 S *	12/2009	Prevost	D9/415
D608,221 S *	1/2010	Marchetti	D9/732
D615,190 S *	5/2010	McGill	D24/111
D627,217 S *	11/2010	Marcinkowski	D9/415
D642,482 S *	8/2011	Stuiber	D9/732

(Continued)

**Related U.S. Application Data**

- (62) Division of application No. 35/505,501, filed on Feb. 14, 2018 (U.S. filing date under 35 U.S.C. 384), and having an international filing date of Feb. 14, 2018.

**Foreign Application Priority Data**

- Aug. 15, 2017 (JP) ..... 2017-017529
- Aug. 15, 2017 (JP) ..... 2017-017530
- Aug. 15, 2017 (JP) ..... 2017-017531
- Aug. 15, 2017 (JP) ..... 2017-017532

- (51) **LOC (12) Cl.** ..... **09-01**
- (52) **U.S. Cl.**  
USPC ..... **D9/732**

- (58) **Field of Classification Search**  
USPC ..... D9/732, 414-418, 715, 424, 735, 722,  
D9/456, 705; D19/86; D24/111; D28/8  
CPC ..... A01C 1/04; G11B 17/0436; B65B 63/08  
See application file for complete search history.

**References Cited**

**U.S. PATENT DOCUMENTS**

- 4,168,002 A \* 9/1979 Crosby ..... A01C 1/04  
206/459.5
- D342,025 S 12/1993 Abraben et al.

**OTHER PUBLICATIONS**

Co-pending U.S. Appl. No. 29/714,365, filed Nov. 22, 2019, titled Blister package.

(Continued)

*Primary Examiner* — Rhea Shields

(74) *Attorney, Agent, or Firm* — Crowell & Moring LLP

(57) **CLAIM**

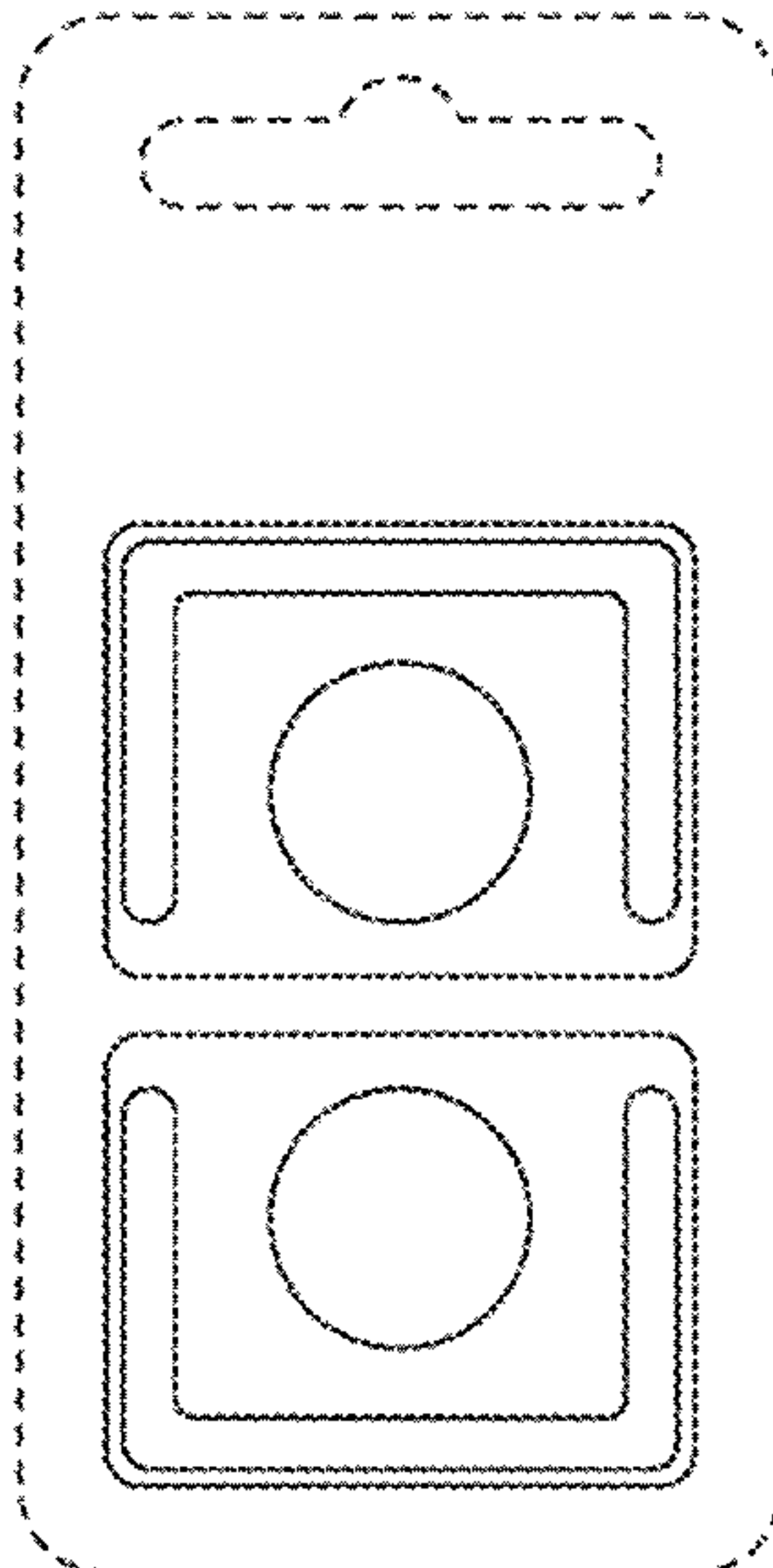
The ornamental design for a blister package, as shown and described.

**DESCRIPTION**

FIG. 1 is a front view of the blister package, according to our new design;  
 FIG. 2 is a back view thereof;  
 FIG. 3 is a right view thereof;  
 FIG. 4 is a left side view thereof;  
 FIG. 5 is a top view thereof; and,  
 FIG. 6 is a bottom view thereof.

In the drawings, the broken lines are for the purpose of illustrating environment only and form no part of the claimed design.

**1 Claim, 6 Drawing Sheets**



(56)

**References Cited**

## U.S. PATENT DOCUMENTS

D655,623	S	*	3/2012	Mehren	.....	D9/732
D704,570	S	*	5/2014	Tsai	.....	D19/86
D733,552	S	*	7/2015	Whalen, Jr.	.....	D9/415
D735,055	S	*	7/2015	Fisher	.....	D9/722
D739,227	S	*	9/2015	Mitchell	.....	D9/416
D748,494	S	*	2/2016	DeMaere	.....	D9/732
D760,599	S	*	7/2016	Jayakaran	.....	D9/732
D761,124	S	*	7/2016	Taylor	.....	D9/732
D782,922	S	*	4/2017	Wooten	.....	D9/732
D813,028	S	*	3/2018	Saito	.....	D9/415
D818,817	S	*	5/2018	Baker	.....	D9/415
D821,865	S	*	7/2018	Shaffer	.....	D9/418
D822,479	S	*	7/2018	Baker	.....	D9/415
D827,423	S	*	9/2018	DeMaere	.....	D9/415
D829,985	S	*	10/2018	Eggemeyer	.....	D28/8.1
D833,269	S	*	11/2018	Bayer	.....	D9/415
D833,861	S	*	11/2018	Stadelmaier	.....	D9/415
D834,934	S	*	12/2018	Hiep	.....	D9/415
D840,800	S	*	2/2019	Farrell	.....	D9/415
D844,428	S	*	4/2019	Stadelmaier	.....	D9/415
D844,450	S	*	4/2019	Witzke	.....	D9/705
D854,408	S	*	7/2019	Farrell	.....	D9/415
D856,146	S	*	8/2019	McKenzie	.....	D9/456
D859,141	S	*	9/2019	Baker	.....	D9/415
10,456,327	B2	*	10/2019	Robertson	.....	B65B 63/08

## OTHER PUBLICATIONS

Co-pending U.S. Appl. No. 29/714,350, filed Nov. 22, 2019, titled Blister package.

\* cited by examiner

FIG. 1

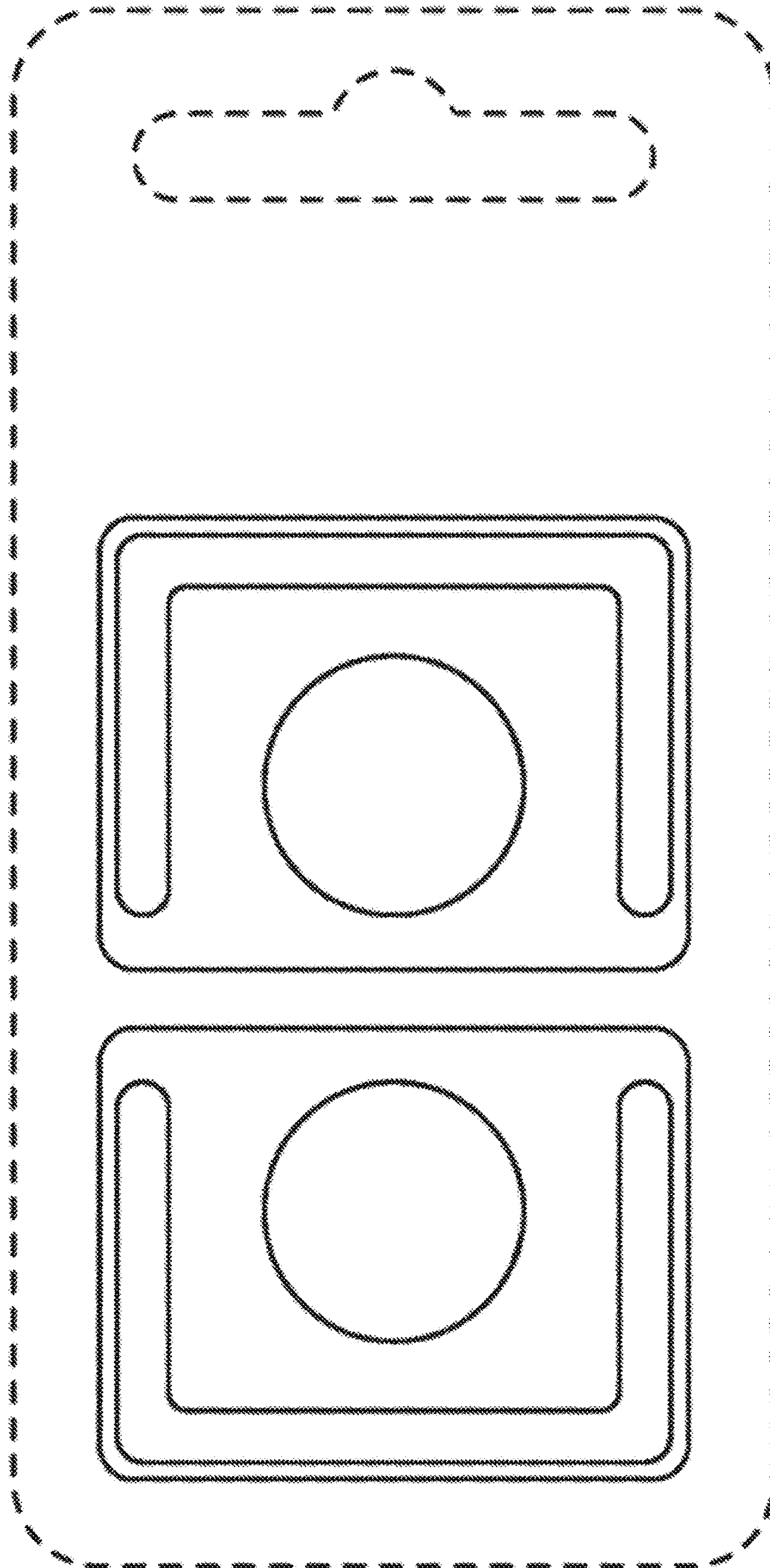


FIG. 2

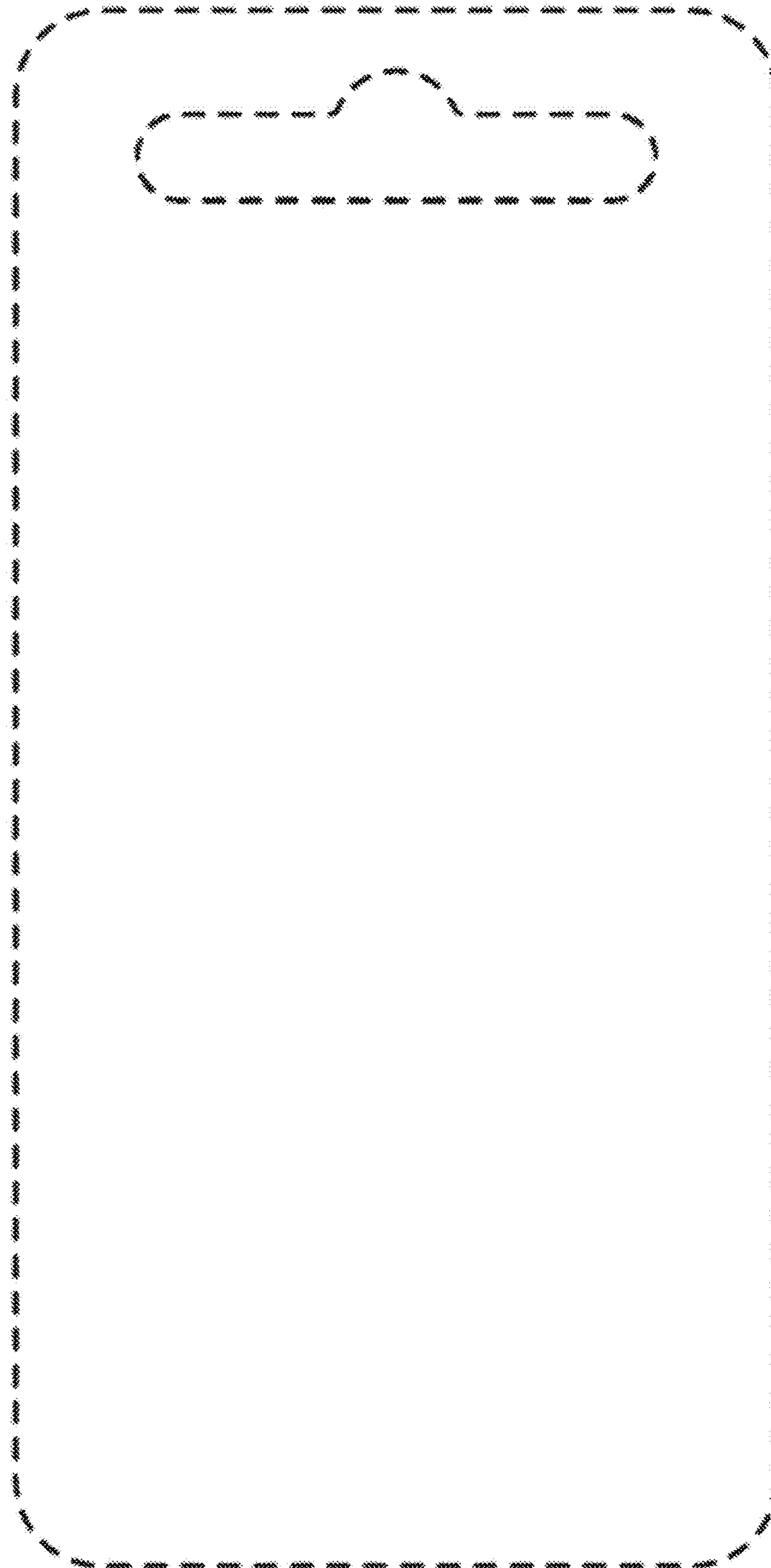




FIG. 3

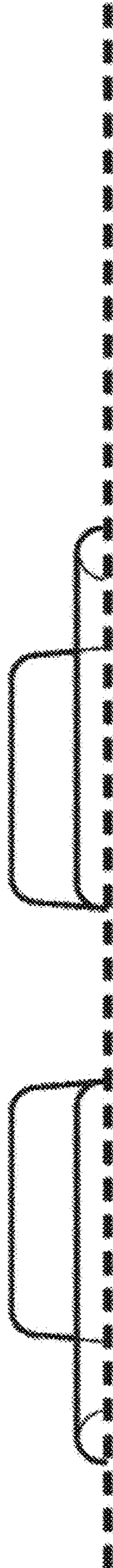


FIG. 4

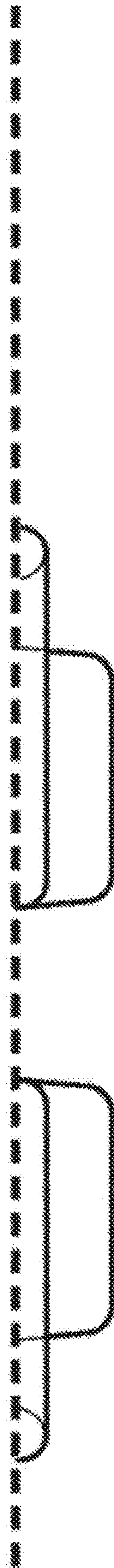


FIG. 5



FIG. 6

