



US00D880311S

(12) **United States Design Patent** (10) **Patent No.:** **US D880,311 S**
Kuwa et al. (45) **Date of Patent:** **** Apr. 7, 2020**

(54) **BLISTER PACKAGE**

(71) Applicant: **Maxell Holdings, Ltd.**, Otokuni-gun, Kyoto (JP)

(72) Inventors: **Tadahiro Kuwa**, Kyoto (JP); **Keiko Yamanaka**, Kyoto (JP)

(73) Assignee: **Maxell Holdings, Ltd.**, Kyoto (JP)

(**) Term: **15 Years**

(21) Appl. No.: **29/714,365**

(22) Filed: **Nov. 22, 2019**

Related U.S. Application Data

(62) Division of application No. 35/505,501, filed on Feb. 14, 2018 (U.S. filing date under 35 U.S.C. 384), and having an international filing date of Feb. 14, 2018.

(30) **Foreign Application Priority Data**

Aug. 15, 2017 (JP) 2017-017529
Aug. 15, 2017 (JP) 2017-017530
Aug. 15, 2017 (JP) 2017-017531
Aug. 15, 2017 (JP) 2017-017532

(51) **LOC (12) Cl.** **09-01**

(52) **U.S. Cl.**
USPC **D9/732**

(58) **Field of Classification Search**
USPC D9/732, 414-418, 715, 424, 735, 722,
D9/456, 705; D19/86; D24/111; D28/8
CPC A01C 1/04; G11B 17/0436; B65B 63/08
See application file for complete search history.

(56) **References Cited**

U.S. PATENT DOCUMENTS

4,168,002 A * 9/1979 Crosby A01C 1/04
206/459.5
D342,025 S 12/1993 Abraben

5,537,389 A 7/1996 Kuwa
D485,491 S * 1/2004 Kyne D9/415
D496,268 S * 9/2004 Stamm, Jr. D9/415
D503,334 S * 3/2005 Keating D9/415
D534,795 S * 1/2007 Manuel D9/424
D548,110 S * 8/2007 Pugh D9/732
D548,617 S * 8/2007 Ferguson D9/715
D565,403 S * 4/2008 Caine D9/415
D579,347 S * 10/2008 Kohring D9/735
D606,392 S * 12/2009 Prevost D9/415
D608,221 S * 1/2010 Marchetti D9/732

(Continued)

OTHER PUBLICATIONS

Co-pending U.S. Appl. No. 29/714,350, filed Nov. 22, 2019, titled Blister package.

(Continued)

Primary Examiner — Rhea Shields

(74) *Attorney, Agent, or Firm* — Crowell & Moring LLP

(57) **CLAIM**

The ornamental design for a blister package, as shown and described.

DESCRIPTION

Cross-reference to commonly assigned U.S. Ser. No. 29/714,350, titled Blister Package and U.S. Ser. No. 29/714,435, titled Blister Package, is hereby made.

FIG. 1 is a front view of the blister package, according to our new design;

FIG. 2 is a back view thereof;

FIG. 3 is a right view thereof;

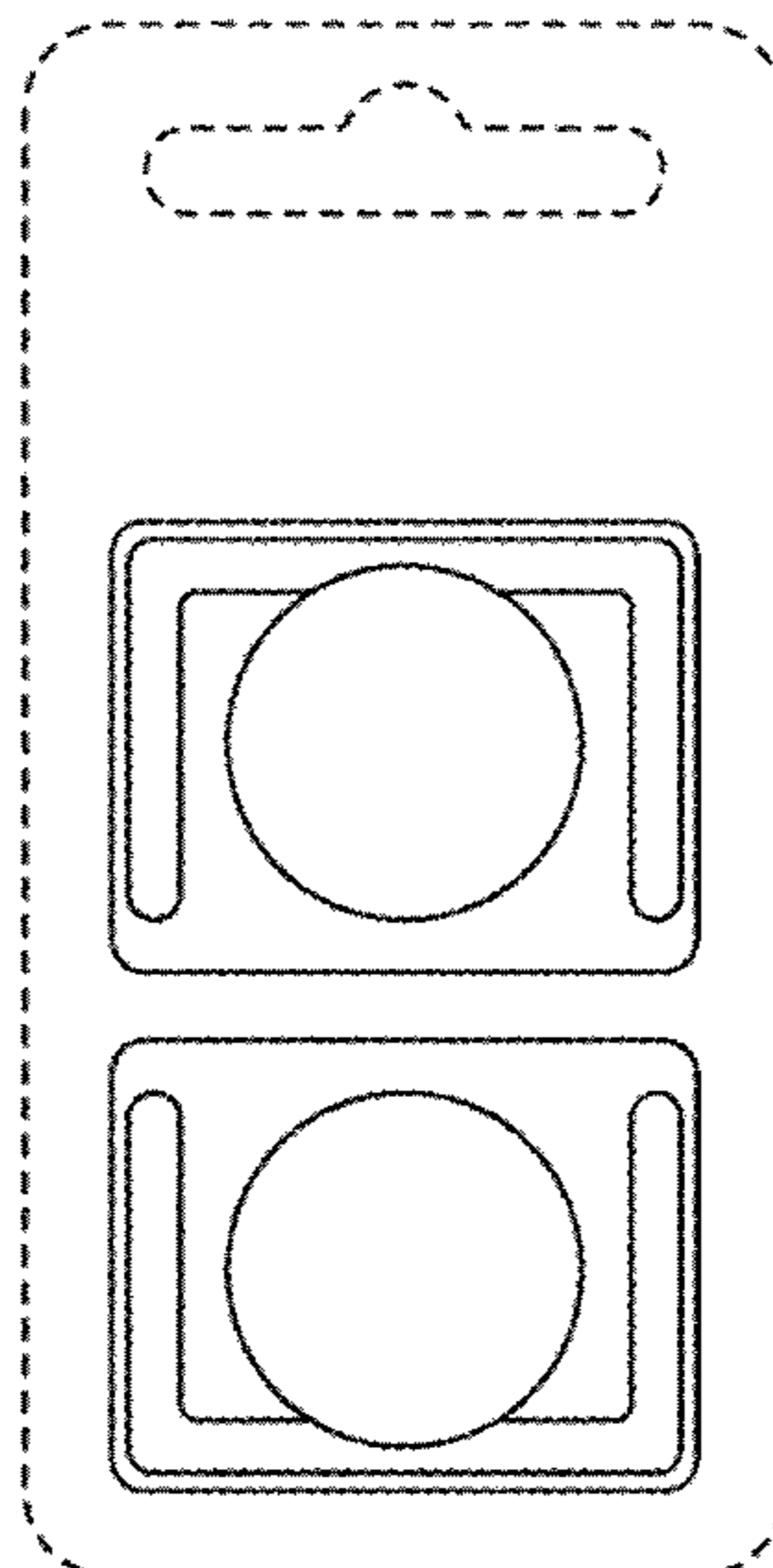
FIG. 4 is a left side view thereof;

FIG. 5 is a top view thereof; and,

FIG. 6 is a bottom view thereof.

In the drawings, the broken lines are for the purpose of illustrating environment only and form no part of the claimed design.

1 Claim, 6 Drawing Sheets



(56)

References Cited

U.S. PATENT DOCUMENTS

D615,190 S * 5/2010 McGill D24/111
 D627,217 S * 11/2010 Marcinkowski D9/415
 D642,482 S * 8/2011 Stuibler D9/732
 D655,623 S * 3/2012 Mehren D9/732
 D704,570 S * 5/2014 Tsai D19/86
 D733,552 S * 7/2015 Whalen, Jr. D9/415
 D735,055 S * 7/2015 Fisher D9/722
 D739,227 S * 9/2015 Mitchell D9/416
 D748,494 S * 2/2016 DeMaere D9/732
 D760,599 S * 7/2016 Jayakaran D9/732
 D761,124 S * 7/2016 Taylor D9/732
 D782,922 S * 4/2017 Wooten D9/732
 D813,028 S * 3/2018 Saito D9/415
 D818,817 S * 5/2018 Baker D9/415
 D821,865 S * 7/2018 Shaffer D9/418
 D822,479 S * 7/2018 Baker D9/415

D827,423 S * 9/2018 DeMaere D9/415
 D829,985 S * 10/2018 Eggemeyer D28/8.1
 D833,269 S * 11/2018 Bayer D9/415
 D833,861 S * 11/2018 Stadelmaier D9/415
 D834,934 S * 12/2018 Hiep D9/415
 D840,800 S * 2/2019 Farrell D9/415
 D844,428 S * 4/2019 Stadelmaier D9/415
 D844,450 S * 4/2019 Witzke D9/705
 D854,408 S * 7/2019 Farrell D9/415
 D856,146 S * 8/2019 McKenzie D9/456
 D859,141 S * 9/2019 Baker D9/415
 10,456,327 B2 * 10/2019 Robertson B65B 63/08

OTHER PUBLICATIONS

Co-pending U.S. Appl. No. 29/714,435, filed Nov. 22, 2019, titled Blister package.

* cited by examiner

FIG. 1

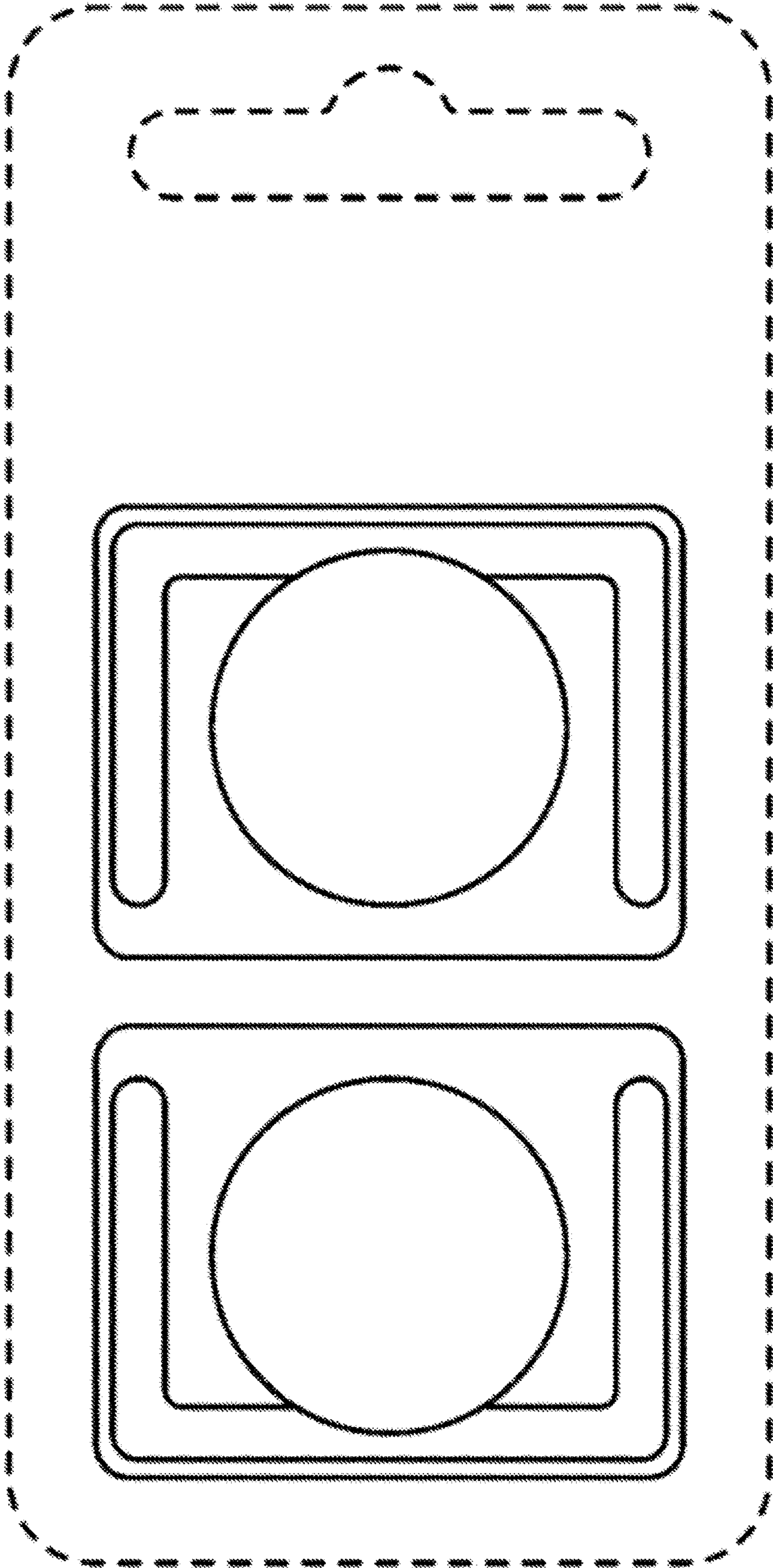


FIG. 2

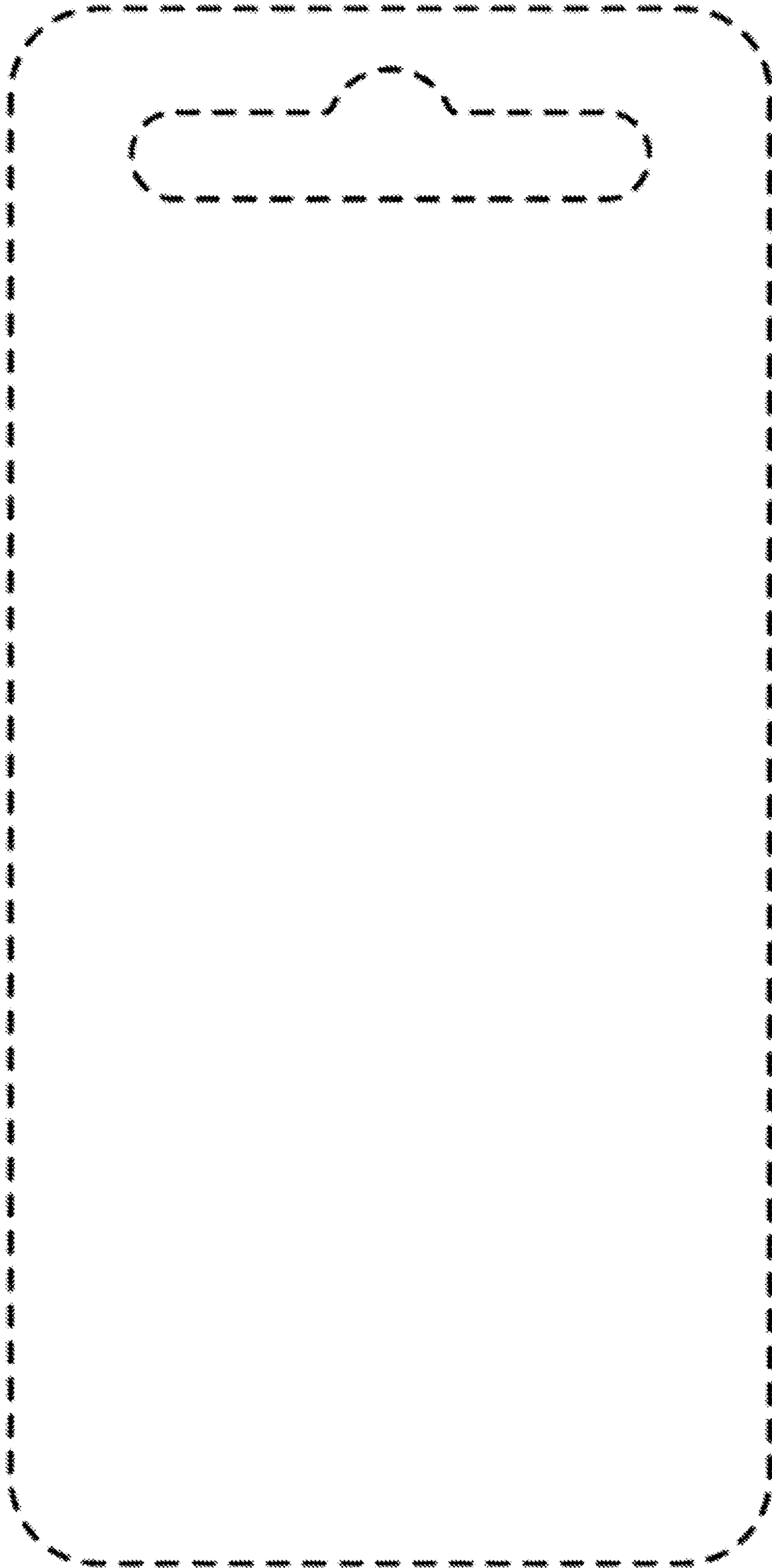


FIG. 3

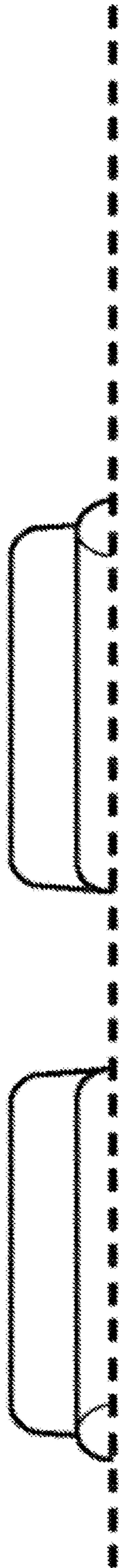


FIG. 4

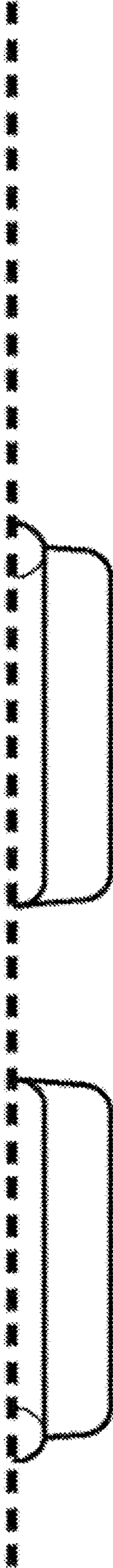


FIG. 5

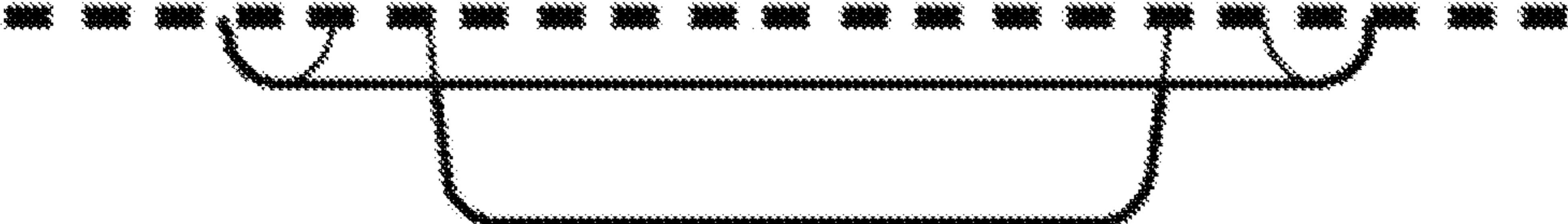


FIG. 6

