



US00D880306S

(12) **United States Design Patent**  
**Le Luheme**

(10) **Patent No.:** **US D880,306 S**

(45) **Date of Patent:** **\*\* Apr. 7, 2020**

(54) **BOTTLE**

(71) Applicant: **Ardagh MP Group Netherlands B.V.**,  
Deventer (NL)

(72) Inventor: **Patrick Le Luheme**, La Fleche (FR)

(73) Assignee: **Ardagh MP Group Netherlands B.V.**  
(NL)

(\*\*) Term: **15 Years**

(21) Appl. No.: **29/612,499**

(22) Filed: **Aug. 1, 2017**

(51) **LOC (12) Cl.** ..... **09-01**

(52) **U.S. Cl.**  
USPC ..... **D9/556; D9/537**

(58) **Field of Classification Search**  
USPC ..... D4/116; D6/515–516, 542–545;  
D7/300–322, 391–396.2, 509–511, 523,  
D7/589, 598, 612, 615, 619.1; D9/435,  
D9/436, 439, 440, 443, 447, 454, 500,  
D9/503–505, 516–575, 763–783;  
D24/197; D28/7, 57, 73, 76–91.1;  
215/40–55, 316–354, 370–385;  
220/574–575

CPC ..... B65D 1/00; B65D 1/02; B65D 1/0223;  
B65D 1/023; B65D 1/0276

See application file for complete search history.

(56) **References Cited**

**U.S. PATENT DOCUMENTS**

D60,555 S *	3/1922	Marble	.....	D9/502
D63,240 S *	11/1923	Root	.....	D9/500
D73,226 S *	8/1927	Fox	.....	D9/538
D73,234 S *	8/1927	Miller	.....	D9/553
D74,459 S *	2/1928	Suarez, Jr.	.....	D9/550
D124,939 S *	1/1941	Noble	.....	D9/556
D176,487 S *	12/1955	Sherman	.....	D9/556

D198,511 S *	6/1964	Fuerst	.....	D9/556
D257,427 S *	10/1980	Cooke	.....	D9/538
D290,686 S *	7/1987	Board	.....	D9/500
D316,813 S *	5/1991	Cannon	.....	D9/520
D417,155 S *	11/1999	Wacker	.....	D9/545
D422,490 S *	4/2000	Nemeth	.....	D9/649
D447,957 S *	9/2001	Lichtman	.....	D9/556
D450,589 S *	11/2001	Haake	.....	D9/502
D452,436 S *	12/2001	Darr	.....	D9/500
D459,655 S *	7/2002	Darr	.....	D9/502
D469,360 S *	1/2003	Moore	.....	D9/538
D475,926 S *	6/2003	Rusnock	.....	D9/502
D476,896 S *	7/2003	Cheng	.....	D9/520
D477,533 S *	7/2003	Kornick	.....	D9/500
D543,462 S *	5/2007	Pedmo	.....	D9/520
D546,686 S *	7/2007	Warner	.....	D9/502
D555,494 S *	11/2007	Darr	.....	D9/550
D555,495 S *	11/2007	Dunman, Jr.	.....	D9/549
D568,746 S *	5/2008	Goldsmith	.....	D9/500
D569,729 S *	5/2008	Pedmo	.....	D9/502

(Continued)

*Primary Examiner* — Cathron C Brooks

*Assistant Examiner* — Christian P. McLean

(74) *Attorney, Agent, or Firm* — Cook Alex Ltd.

(57) **CLAIM**

The ornamental design for a bottle, as shown and described.

**DESCRIPTION**

FIG. 1 is a perspective view from the bottom of a bottle showing the new design;

FIG. 2 is a perspective view from the top of the bottle of FIG. 1;

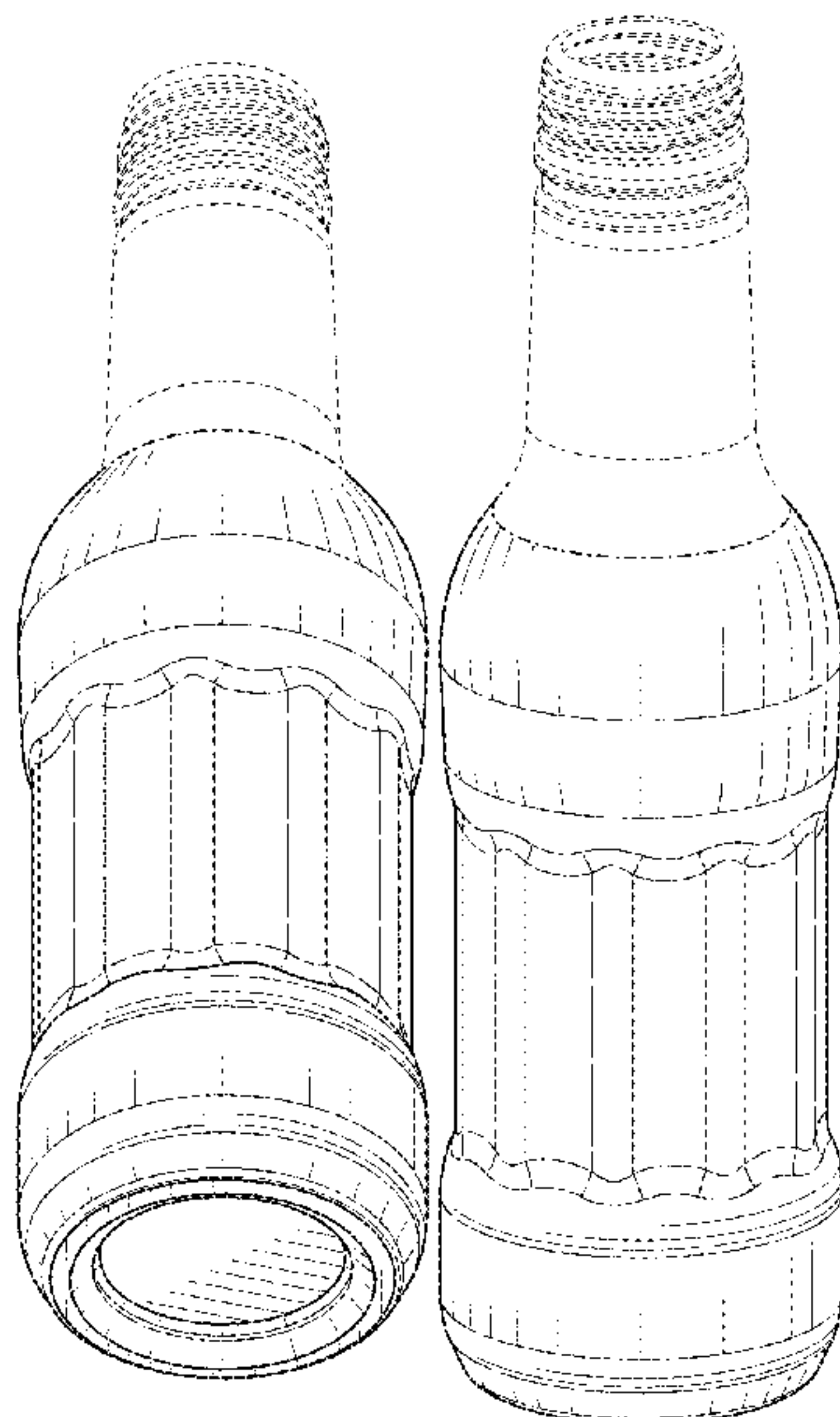
FIG. 3 is a side elevational view of the bottle of FIG. 1;

FIG. 4 is a top plan view of the bottle of FIG. 1; and,

FIG. 5 is a bottom plan view of the bottle of FIG. 1.

The dot-dash broken line illustrates the boundary of the design and forms no part of the claim. The remaining evenly dashed broken lines illustrate portions of the bottle that form no part of the claimed design.

**1 Claim, 4 Drawing Sheets**



(56)

**References Cited**

U.S. PATENT DOCUMENTS

D572,590	S *	7/2008	Coulis .....	D9/500
D682,703	S *	5/2013	Martin .....	D9/540
D694,626	S *	12/2013	Barsoumian .....	D9/500
D697,804	S *	1/2014	Hanson .....	D9/500
D706,633	S *	6/2014	Reisig .....	D9/500
D706,634	S *	6/2014	Herman .....	D9/500
D710,206	S *	8/2014	Rajesh .....	D9/538
D731,316	S *	6/2015	Joblonska .....	D9/538
D736,091	S *	8/2015	Toms .....	D9/551
9,150,331	B2 *	10/2015	Kisela .....	B65D 23/14
D765,509	S *	9/2016	Laib .....	D9/500
D809,394	S *	2/2018	Steward .....	D9/516
D818,368	S *	5/2018	Hanan .....	D9/550
D826,722	S *	8/2018	Mahajan .....	D9/550
D833,882	S *	11/2018	Le Luherne .....	D9/600
D850,267	S *	6/2019	Paredes .....	D9/516
D850,915	S *	6/2019	Pietrasanta .....	D9/500
D871,223	S *	12/2019	Khetarpaul .....	D9/538
2012/0111824	A1 *	5/2012	Ungrady .....	B65D 1/0223
				215/281
2018/0265242	A1 *	9/2018	Okuyama .....	B65D 1/0223
2019/0337662	A1 *	11/2019	Pedmo .....	B65D 1/0246

\* cited by examiner

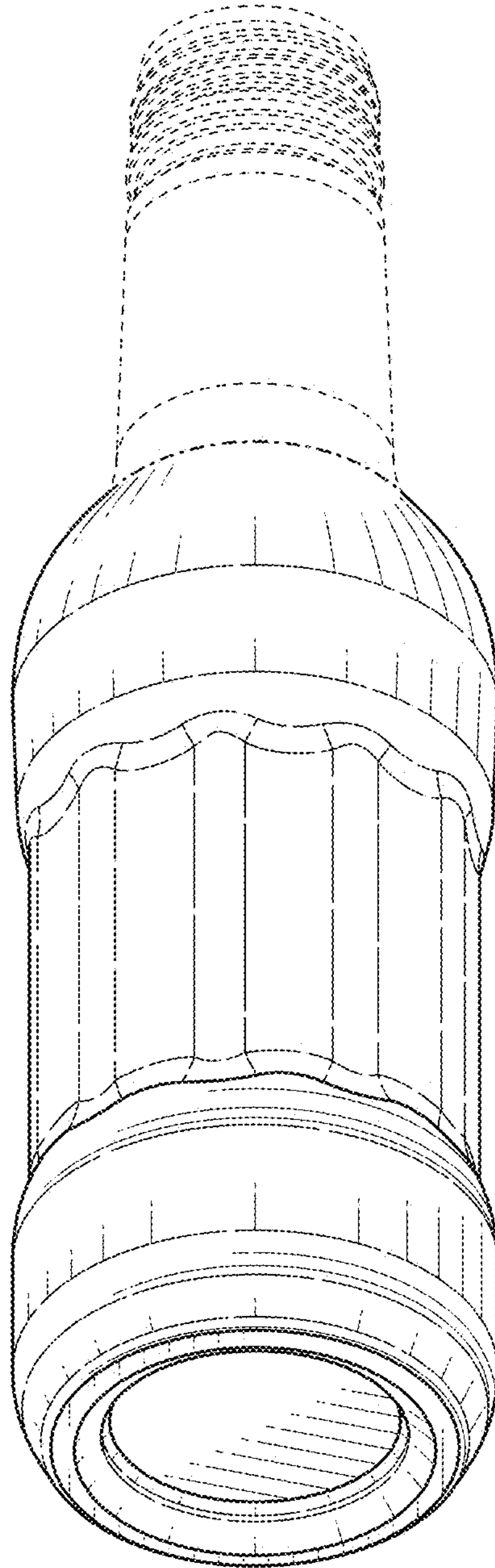


FIG. 1

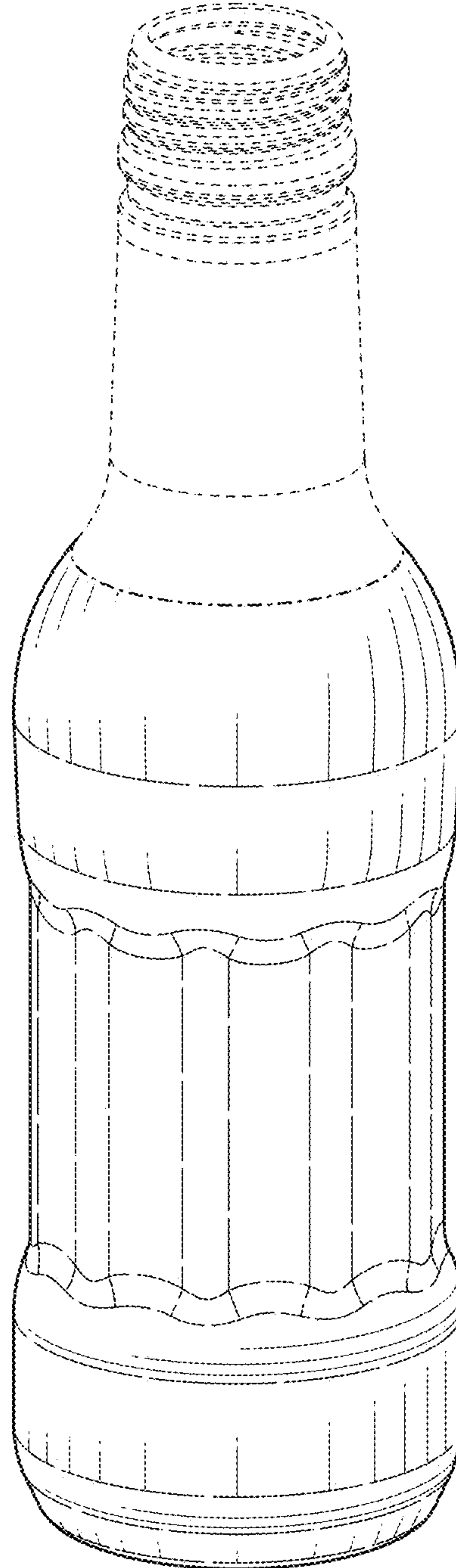


FIG. 2

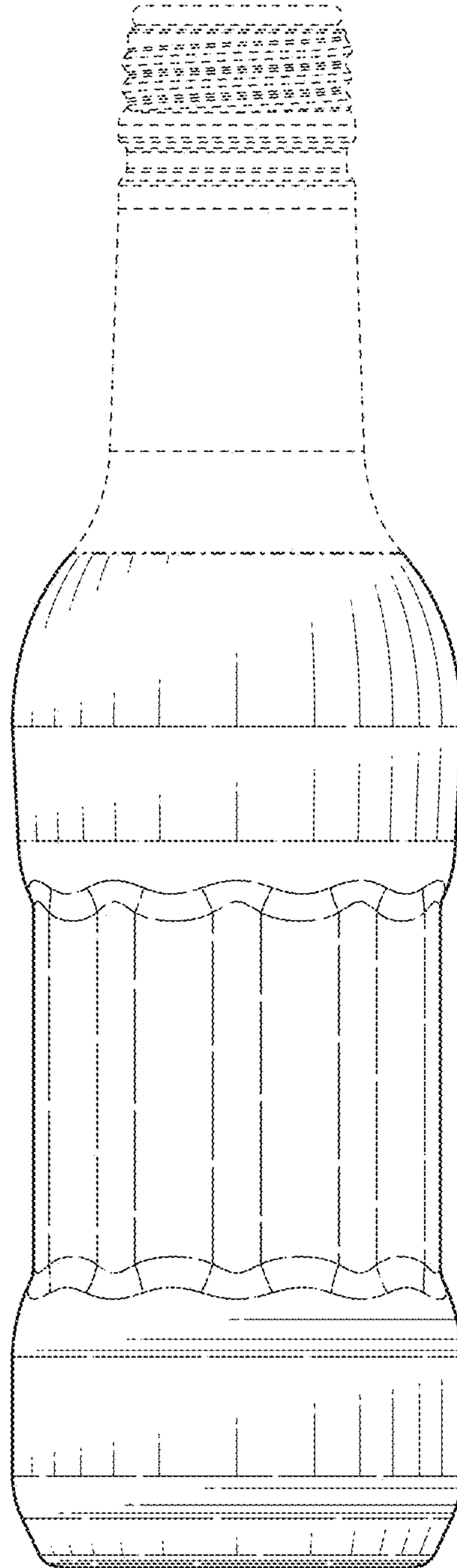


FIG. 3



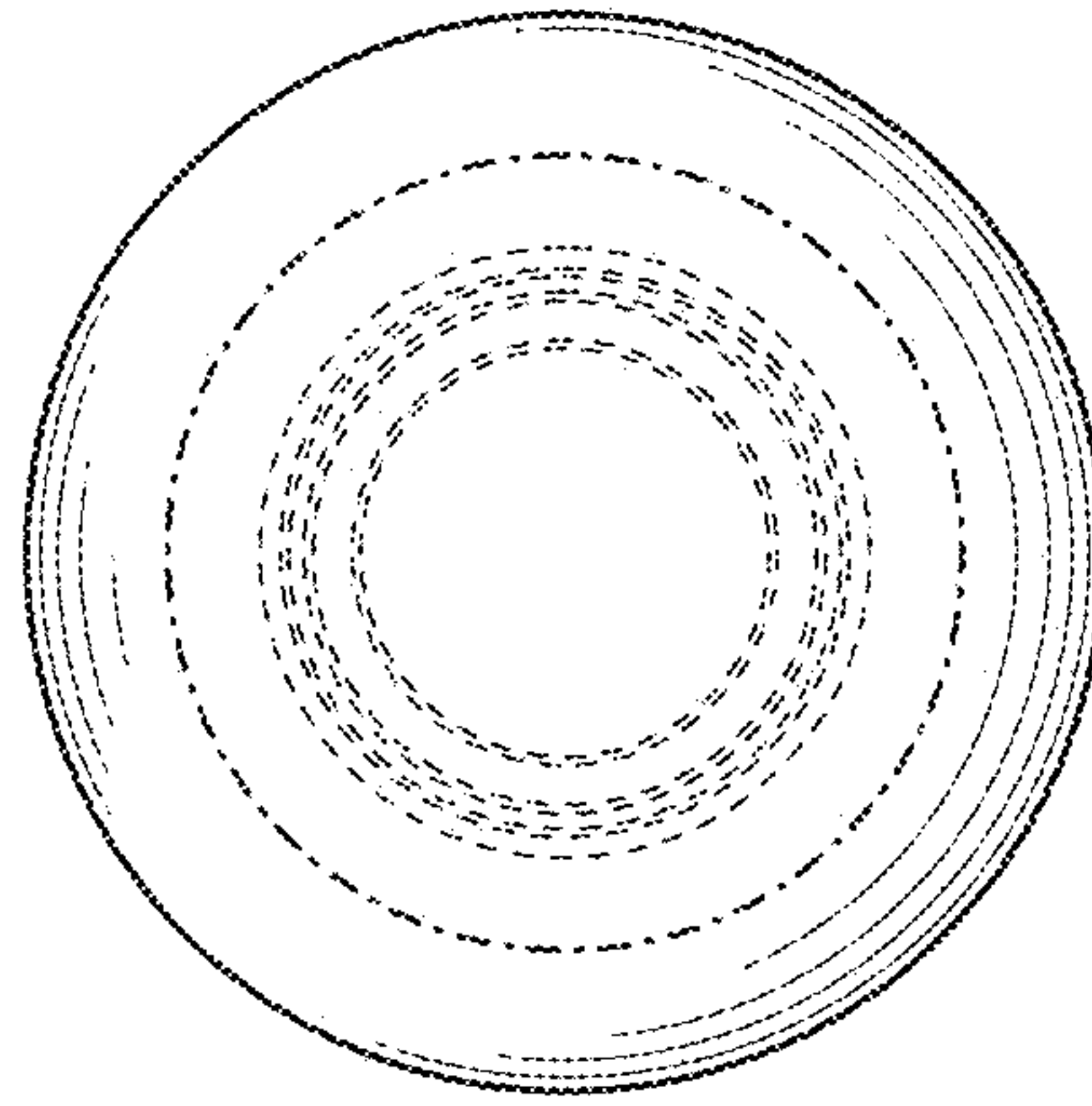


FIG. 4

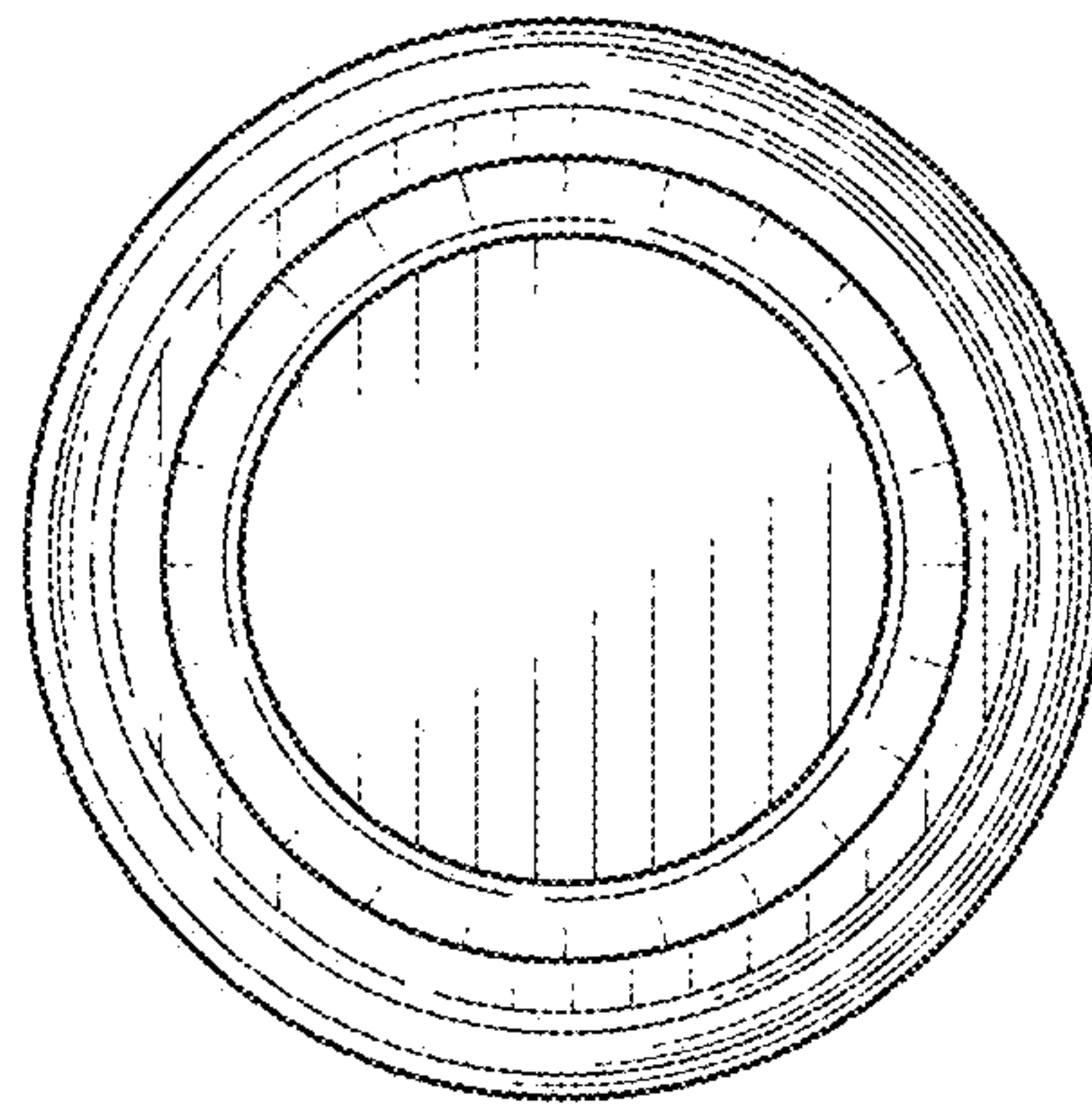


FIG. 5