



US00D880305S

(12) **United States Design Patent**
Young et al.

(10) **Patent No.:** **US D880,305 S**

(45) **Date of Patent:** **** Apr. 7, 2020**

(54) **SPRAY BOTTLE**

(71) Applicants: **Tyler F. Young**, East Longmeadow, MA (US); **James E. McCay**, Fairfield, CT (US); **Peter B. Clarke**, Newtown, CT (US)

(72) Inventors: **Tyler F. Young**, East Longmeadow, MA (US); **James E. McCay**, Fairfield, CT (US); **Peter B. Clarke**, Newtown, CT (US)

(73) Assignee: **W.F. YOUNG, INCORPORATED**, East Longmeadow, MA (US)

(**) Term: **15 Years**

(21) Appl. No.: **29/639,242**

(22) Filed: **Mar. 5, 2018**

(51) **LOC (12) Cl.** **09-01**

(52) **U.S. Cl.**
USPC **D9/542; D9/682**

(58) **Field of Classification Search**
USPC D9/516, 530, 542, 549, 550, 558, 563, D9/571, 574, 715, 719, 682, 685; D7/300, 300.1, 313, 590
CPC . B65D 1/00; B65D 1/02; B65D 1/023; B65D 1/0223; B65D 1/0276
See application file for complete search history.

(56) **References Cited**

U.S. PATENT DOCUMENTS

D244,991 S *	7/1977	Weckman	222/383.1
D287,227 S	12/1986	Turnbull	
D329,802 S	9/1992	Foster et al.	
D334,714 S *	4/1993	Maginnis, Jr.	D9/569
D369,979 S *	5/1996	Krampe	D9/542
D378,665 S	4/1997	Fenton et al.	

D419,887 S	2/2000	Dugan	
D427,519 S *	7/2000	Bracone	D9/574
D449,002 S	10/2001	Valente	
D528,431 S	9/2006	Brandt et al.	
D547,660 S *	7/2007	Lepoitevin	D9/516
D589,349 S	3/2009	Prater et al.	
D609,109 S *	2/2010	Gieske	D9/558
D609,576 S *	2/2010	Kuzma	D9/557
D642,066 S	7/2011	Kuzma et al.	
D663,626 S	7/2012	Berger et al.	
D664,441 S *	7/2012	Schultz	D9/563
D708,070 S *	7/2014	Lesinigo	D9/548
D747,204 S *	1/2016	Robledo Gama	D9/522
D760,089 S *	6/2016	Collier	D9/516
D770,290 S	11/2016	Yourist	
D790,981 S *	7/2017	Collier	D9/543
D834,944 S *	12/2018	Holbrook	D9/685

* cited by examiner

Primary Examiner — Shannon W Morgan

Assistant Examiner — Keith Frank

(74) *Attorney, Agent, or Firm* — Grogan, Tuccillo & Vanderleeden, LLP

(57) **CLAIM**

The ornamental design for a spray bottle, as shown and described.

DESCRIPTION

FIG. 1 is perspective view thereof of a spray bottle showing a new design;

FIG. 2 is a left side elevational view thereof;

FIG. 3 is a right side elevational view thereof;

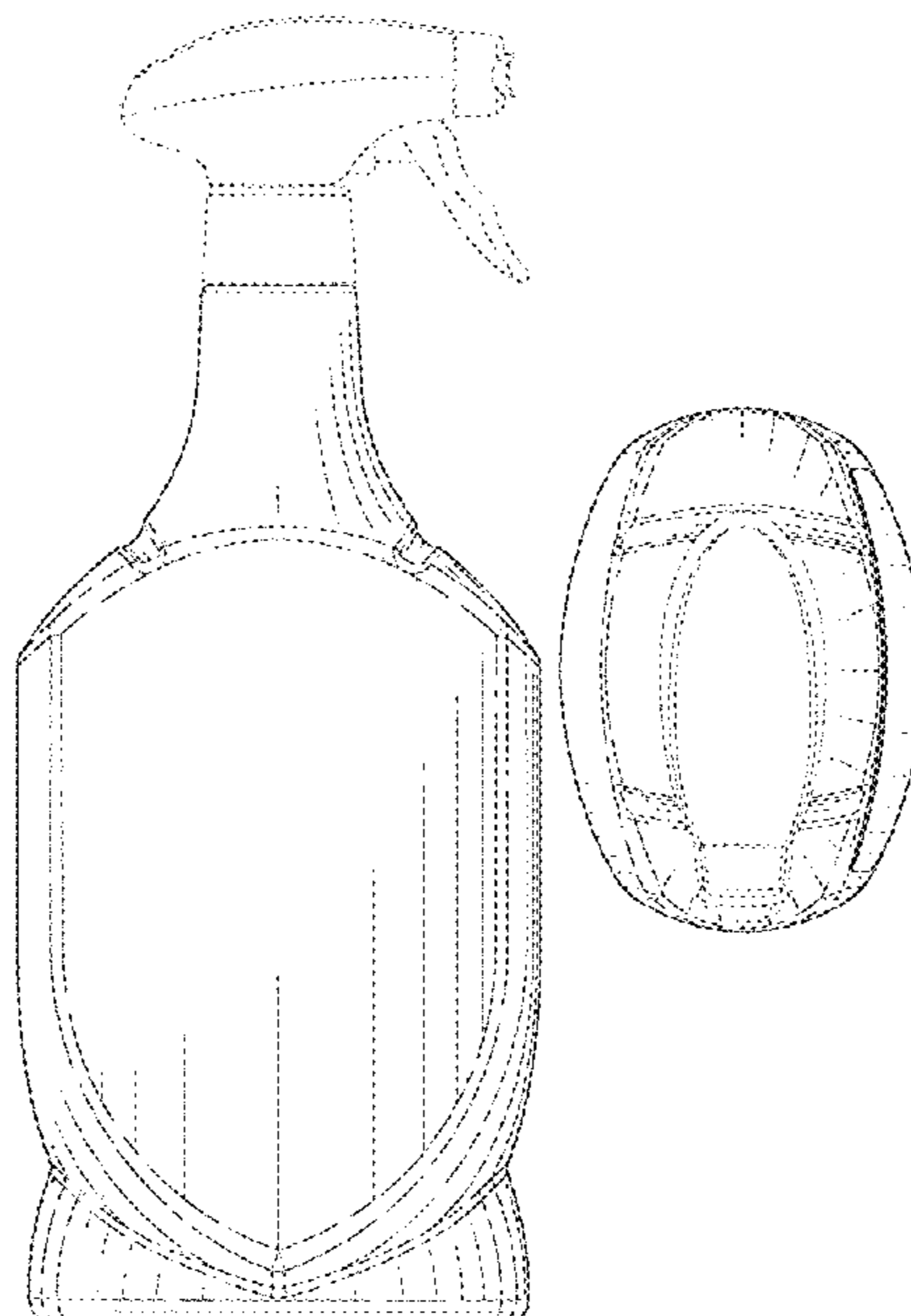
FIG. 4 is a rear elevational view thereof;

FIG. 5 is a front elevational view thereof; and,

FIG. 6 is a top plan view thereof.

The broken lines in the drawings showing the spray bottle illustrate the portions of the spray bottle that form no part of the claimed design.

1 Claim, 5 Drawing Sheets



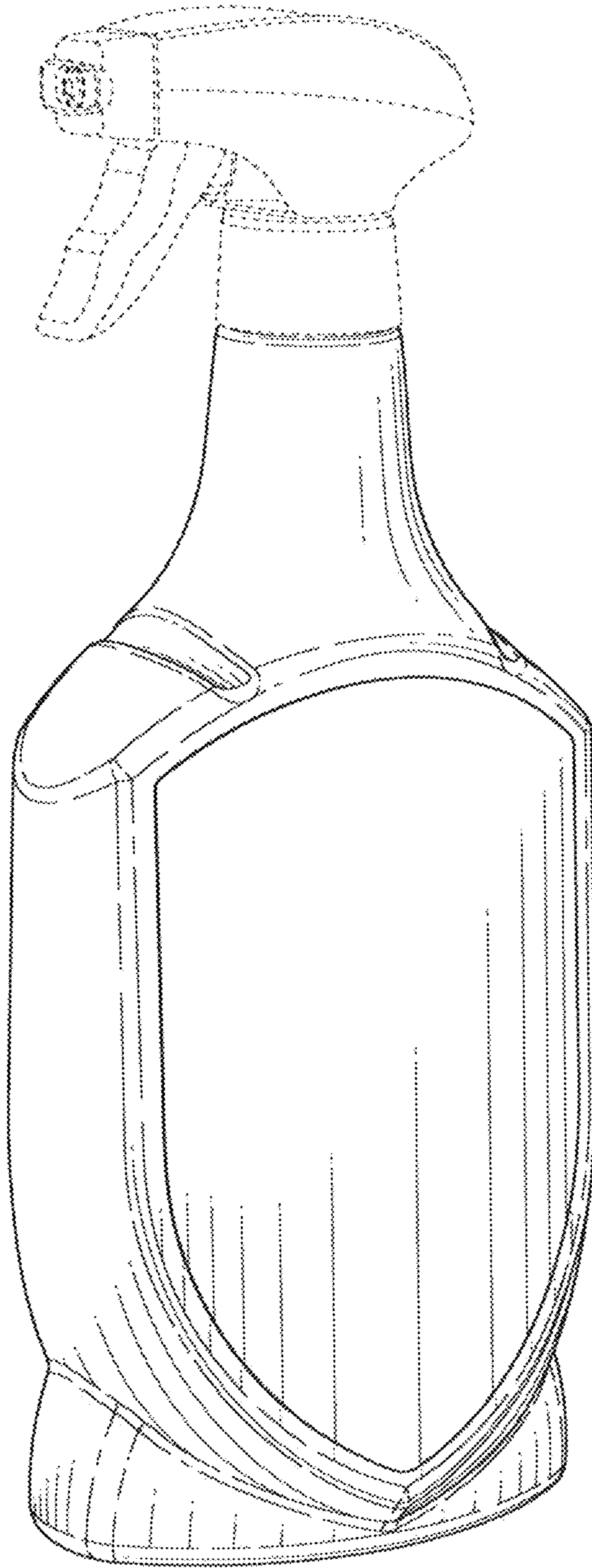


FIG. 1

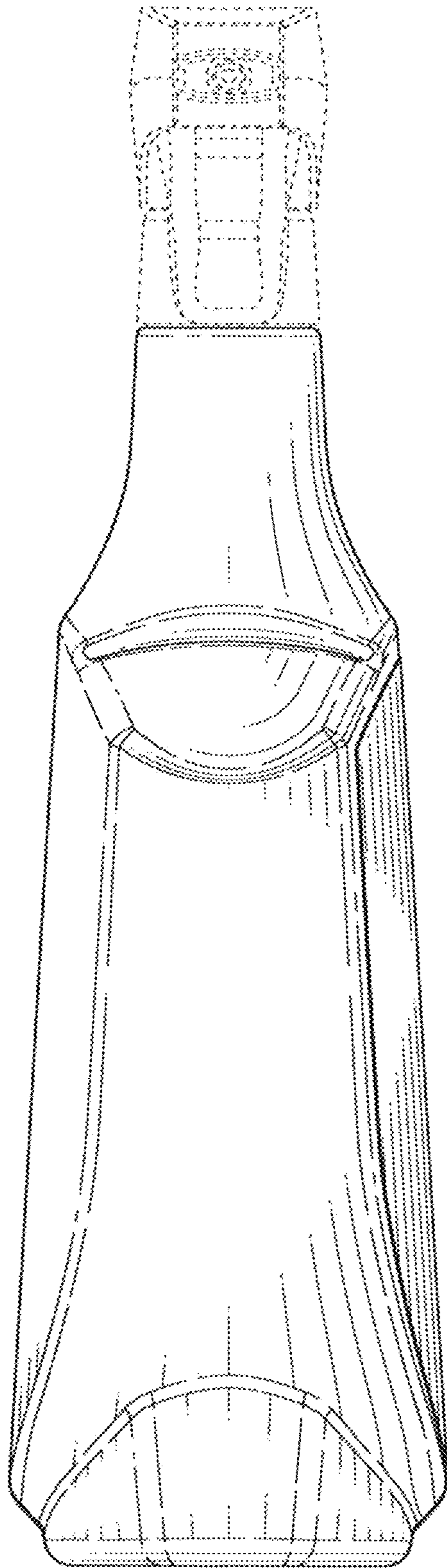


FIG. 2

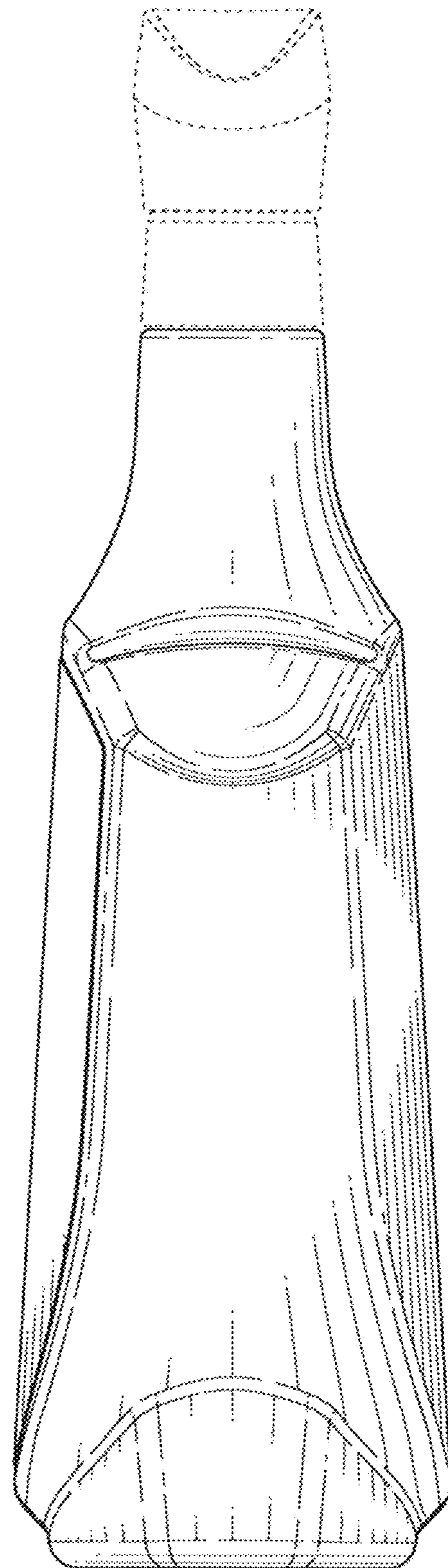


FIG. 3

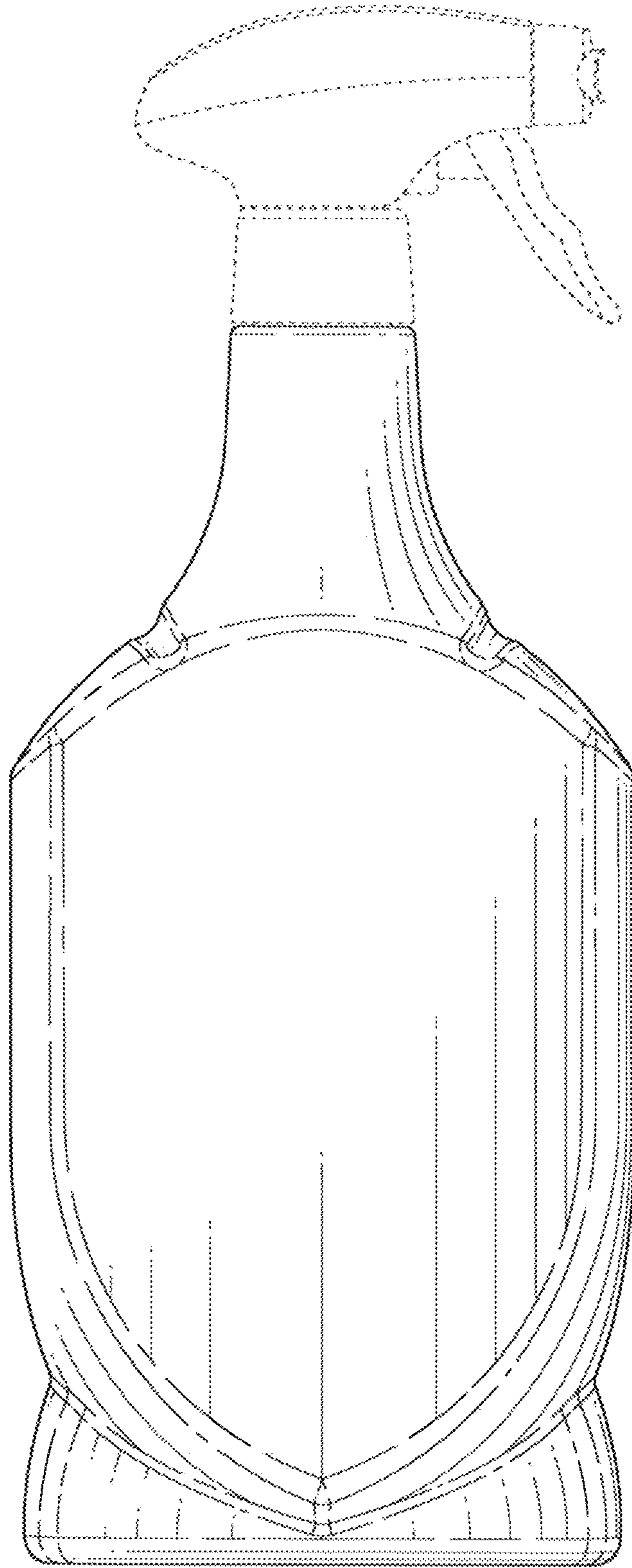


FIG. 4

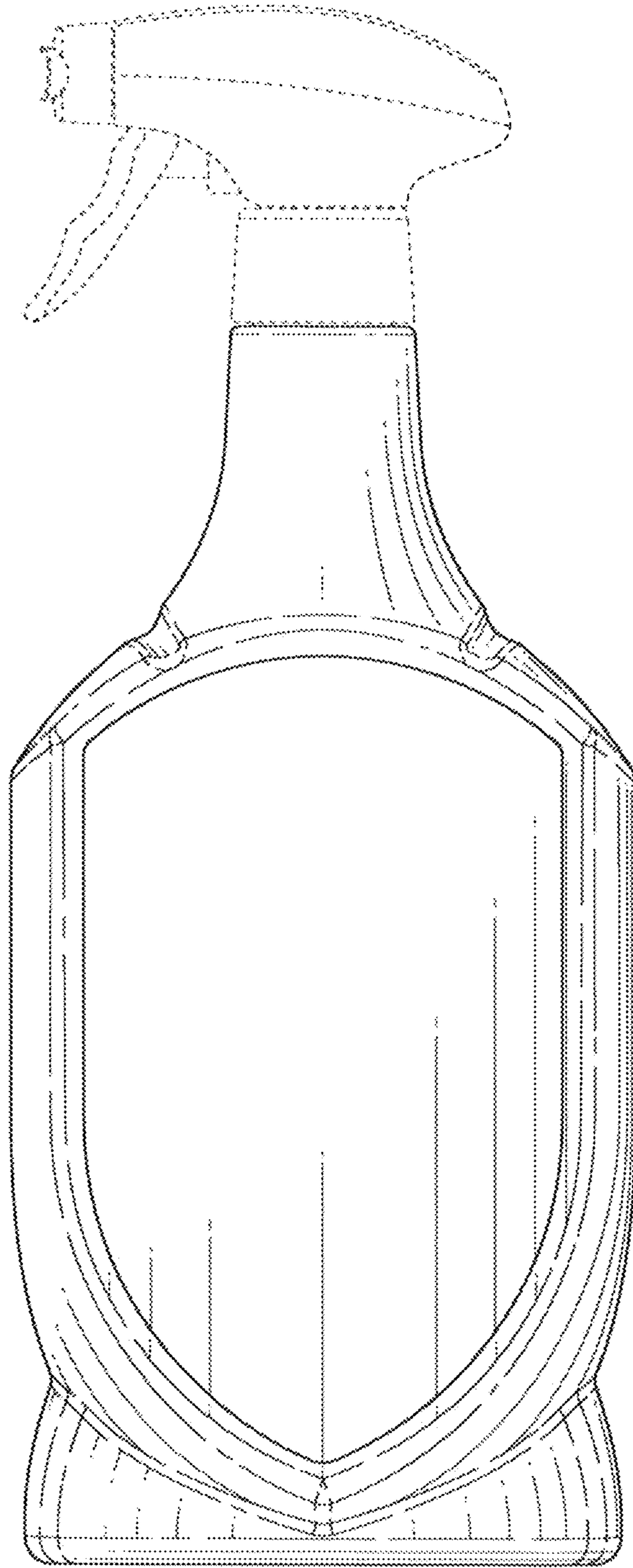


FIG. 5

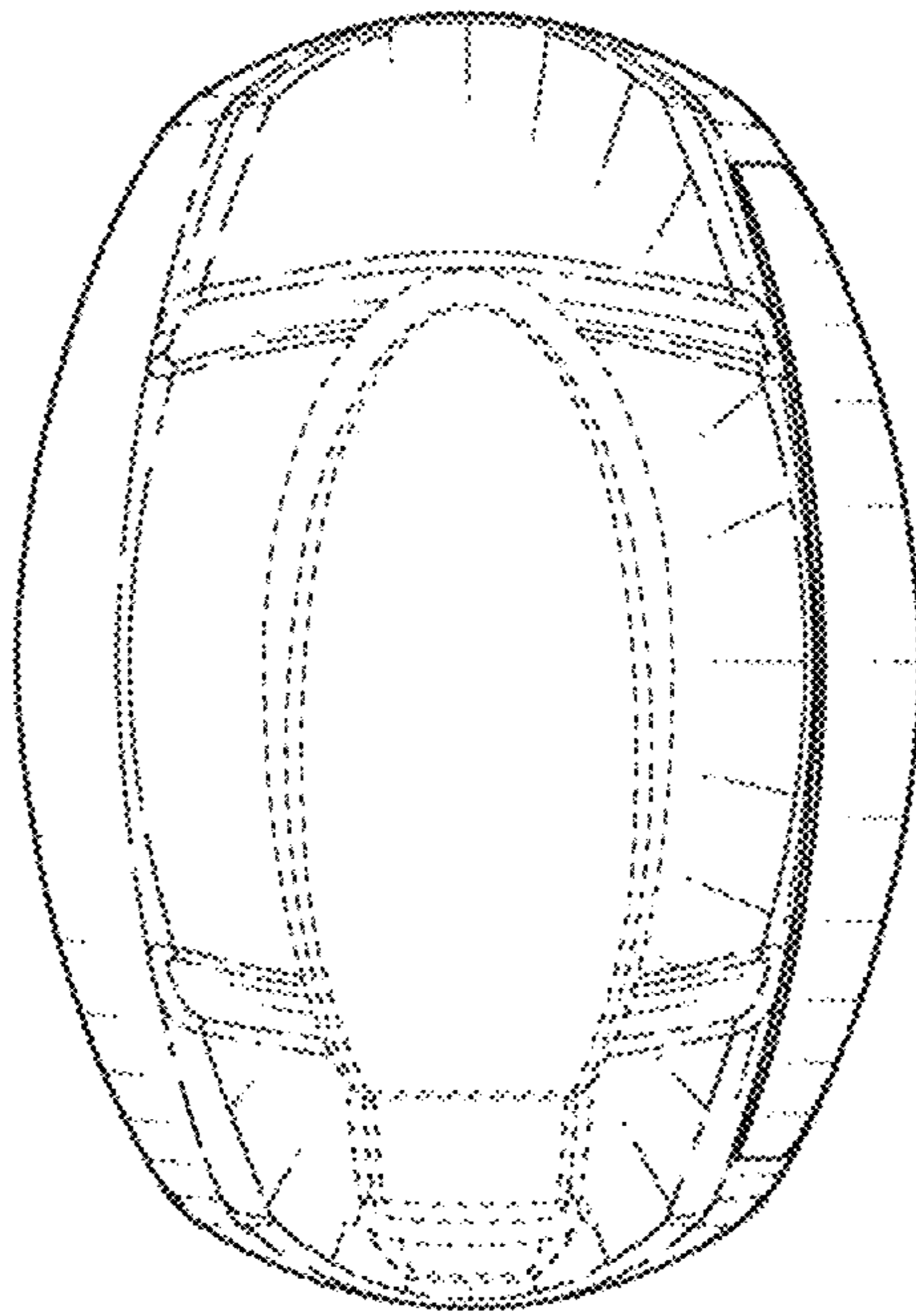


FIG. 6