



US00D880303S

(12) **United States Design Patent**
Butcher

(10) **Patent No.:** **US D880,303 S**

(45) **Date of Patent:** **** Apr. 7, 2020**

(54) **CONTAINER WITH CONVEX BASE**

(71) Applicant: **Butcher Design, LLC**, Cable, OH (US)

(72) Inventor: **Gregory H. Butcher**, Cable, OH (US)

(73) Assignee: **Stolle Machinery Company, LLC**,
Centennial, CO (US)

(**) Term: **15 Years**

(21) Appl. No.: **29/654,571**

(22) Filed: **Jun. 26, 2018**

(51) **LOC (12) Cl.** **09-01**

(52) **U.S. Cl.**
USPC **D9/519; D9/772**

(58) **Field of Classification Search**

USPC D9/500, 502, 516, 518, 530, 537, 539,
D9/542, 549, 763-783, 519-521
CPC ... B65D 1/00; B65D 1/02; B65D 1/12; B65D
1/14; B65D 1/40; B65D 1/44; B65D
1/023; B65D 1/0223; B65D 1/165; B65D
1/238; B65D 1/246; B65D 1/253; B65D
7/04; B65D 21/0209; B65D 21/0233;
B65D 25/00; B65D 25/28; B65D
41/0457; B65D 41/17; B65D 53/06;
B65D 75/56; B65D 79/005; B65D
2501/0036; B65D 2543/00064; B65D
2543/00074; B65D 2543/00083; B65D
2543/00092; B65D 2543/00101; B65D
2543/00111

See application file for complete search history.

(56) **References Cited**

U.S. PATENT DOCUMENTS

4,426,013 A 1/1984 Cherchian et al.
D517,412 S * 3/2006 Walters D9/521

D517,919 S * 3/2006 Walters D9/521
D518,384 S * 4/2006 Walters D9/520
D615,362 S * 5/2010 Handel D7/510
D698,651 S * 2/2014 Sommer D9/453
D715,162 S * 10/2014 Farrow D9/772
D830,178 S * 10/2018 Prater D9/503
D857,506 S * 8/2019 Christianson D9/503

* cited by examiner

Primary Examiner — Keli L Hill

(74) *Attorney, Agent, or Firm* — Eckert Seamans Cherin
& Mellott, LLC

(57) **CLAIM**

The ornamental design for a container with convex base, as
shown and described.

DESCRIPTION

FIG. 1 is a top right perspective view of the container with
convex base;

FIG. 2 is a top left perspective view of the container with
convex base;

FIG. 3 is a top plan view of the container with convex base;

FIG. 4 is a bottom plan view of the container with convex
base;

FIG. 5 is a bottom right perspective view of the container
with convex base;

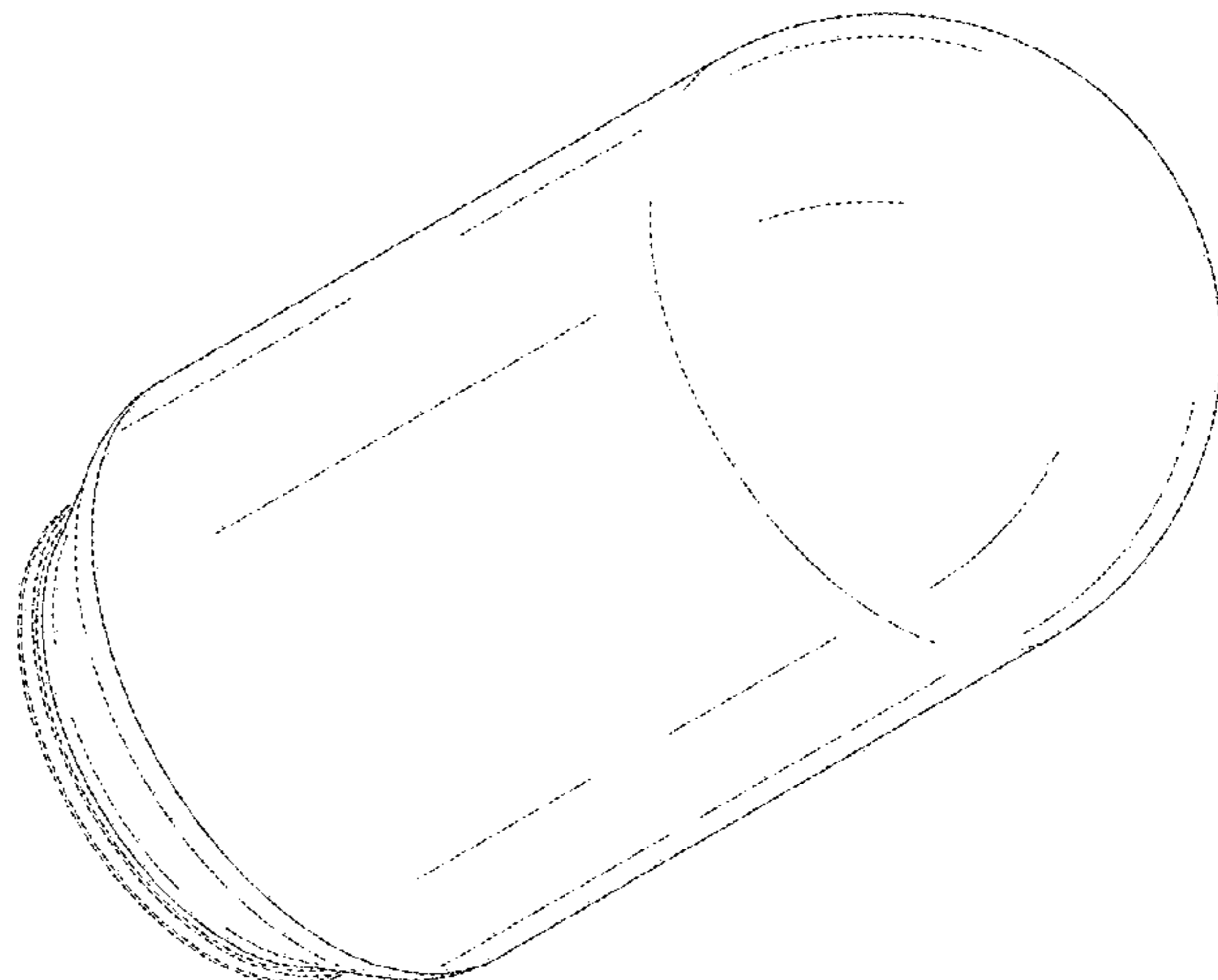
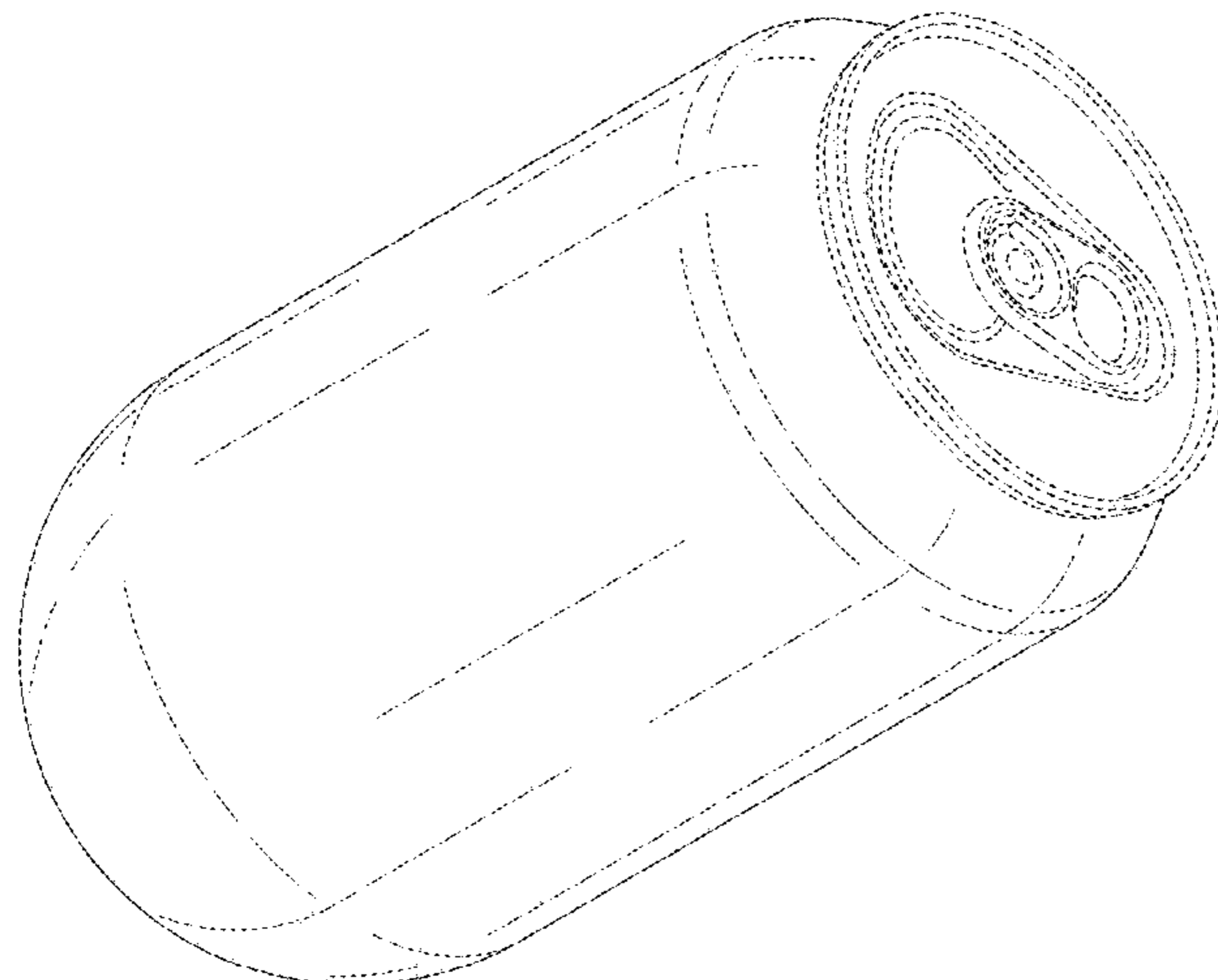
FIG. 6 is a bottom left perspective view of the container with
convex base;

FIG. 7 is a side elevational view of the container with
convex base; and,

FIG. 8 is a section view of the container with convex base
taken along line 8-8 of FIG. 3.

The dashed lines are for the purpose of illustrating environ-
mental subject matter that forms no part of the claimed
design.

1 Claim, 7 Drawing Sheets



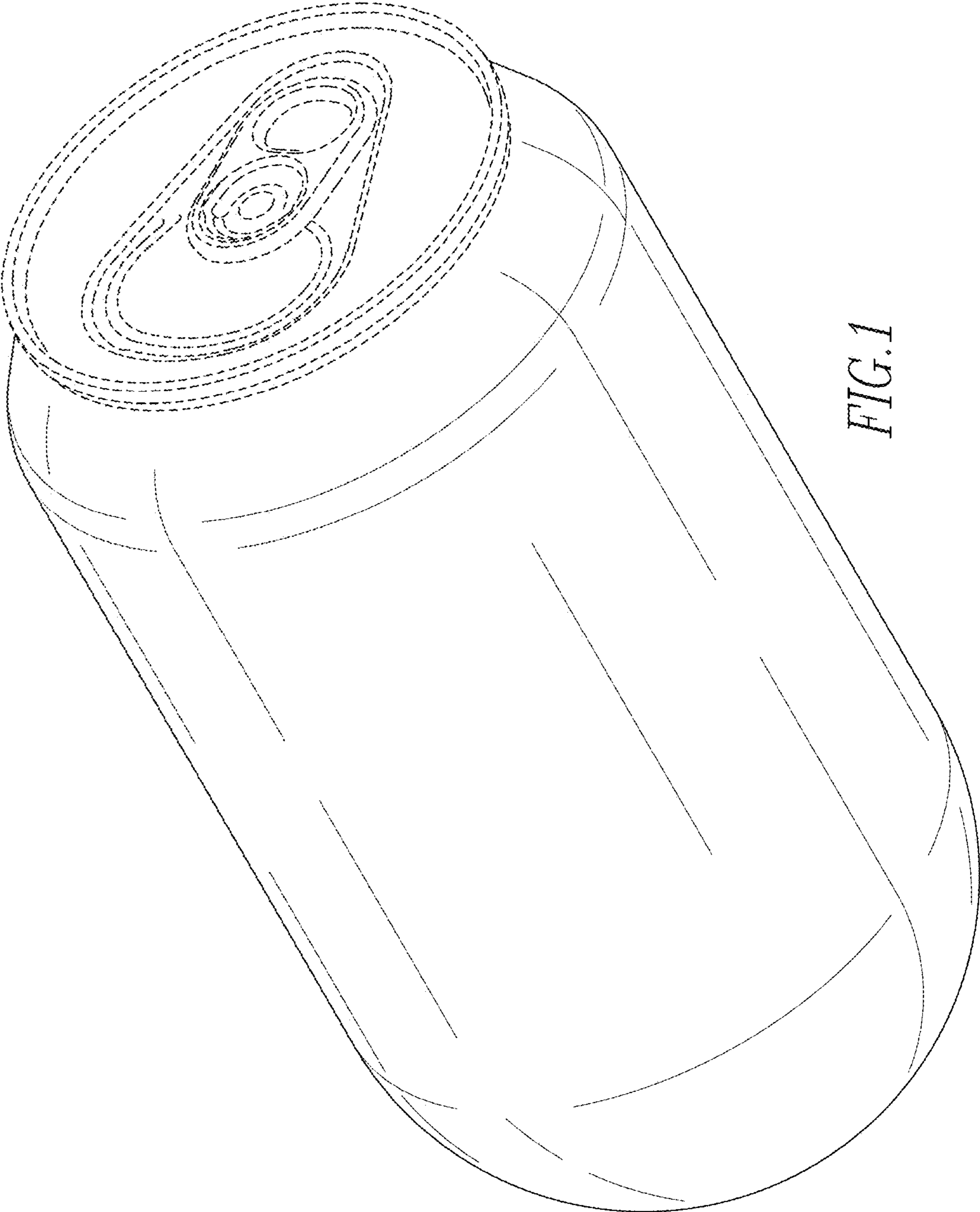
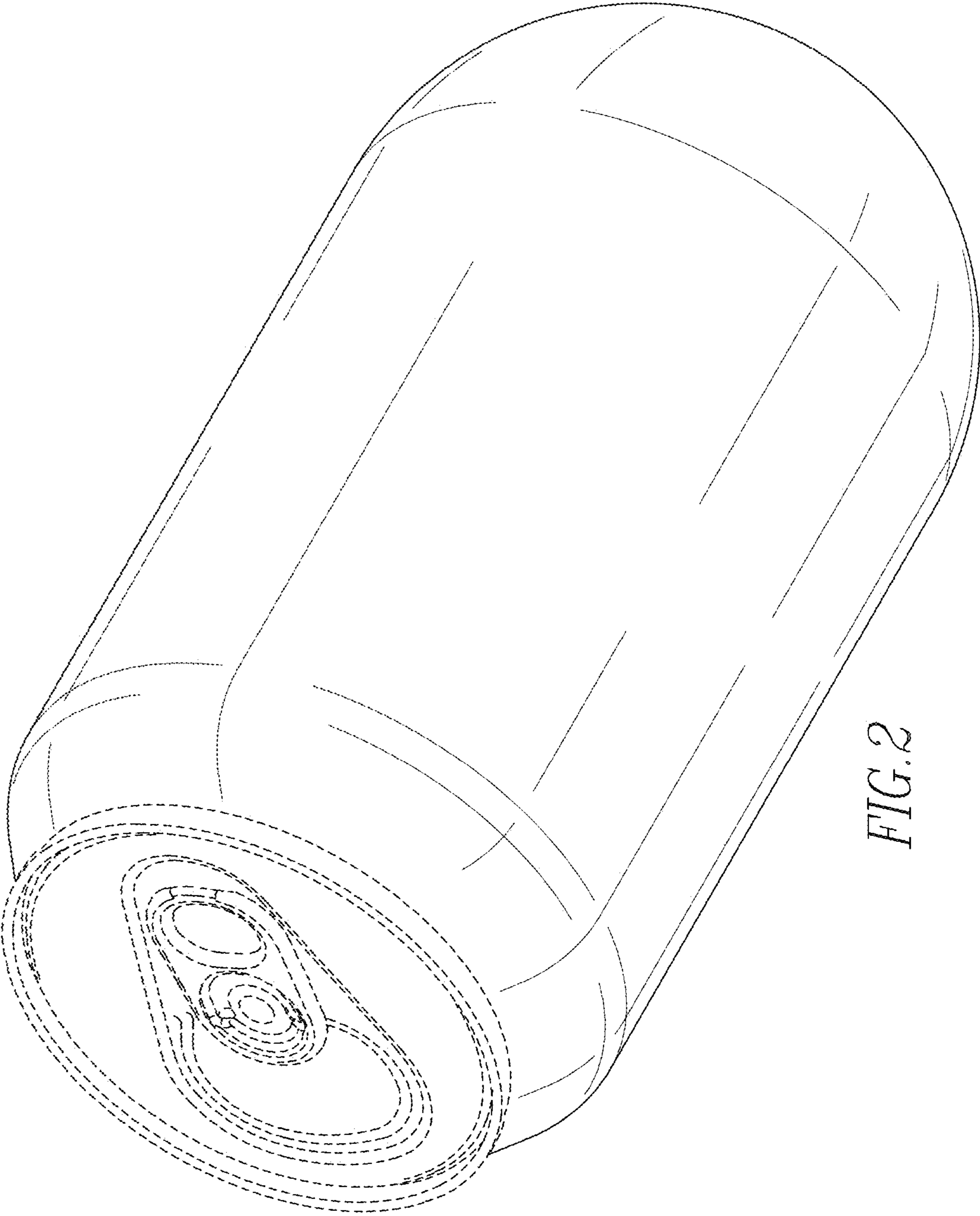
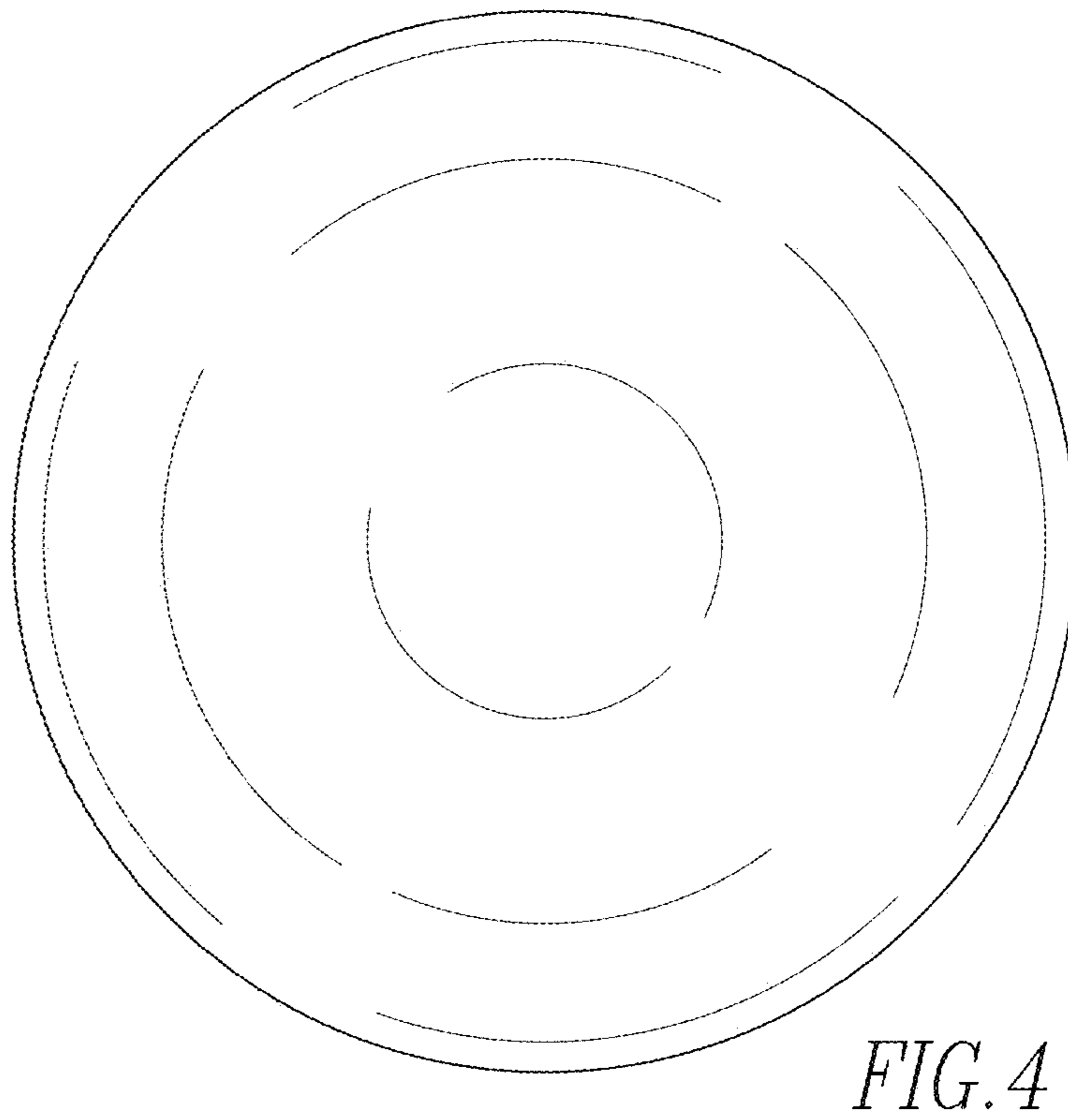
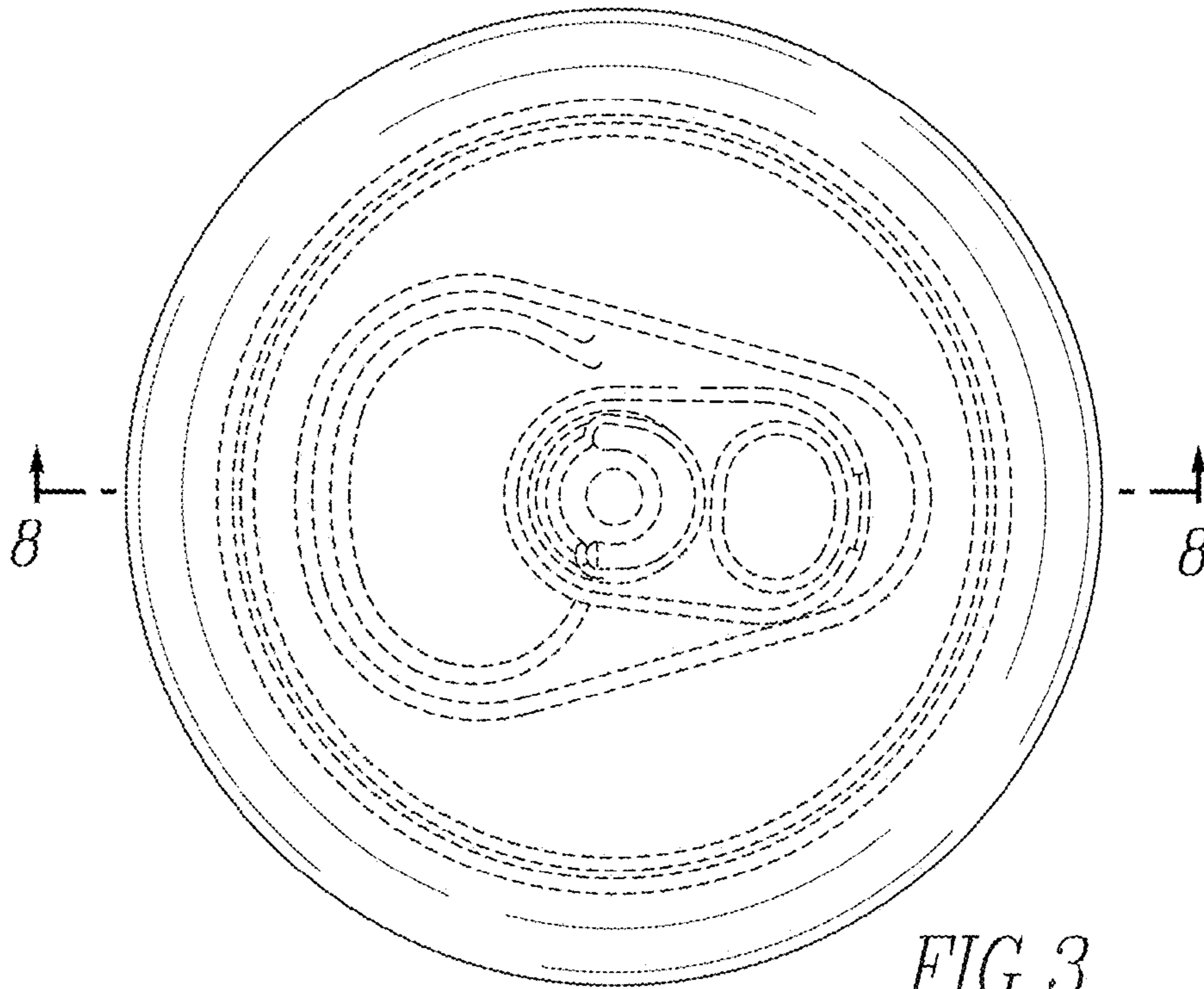


FIG. 1





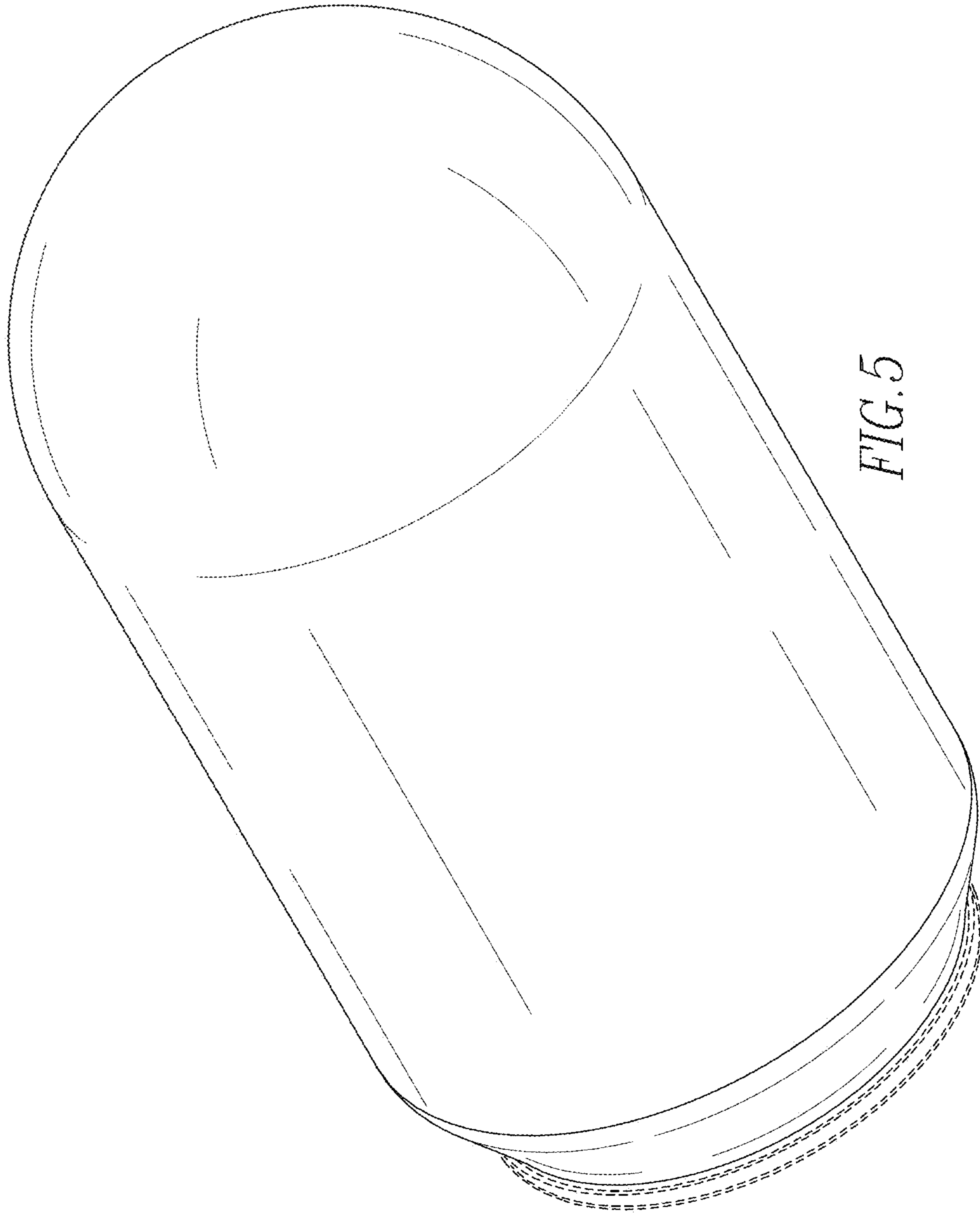


FIG. 5

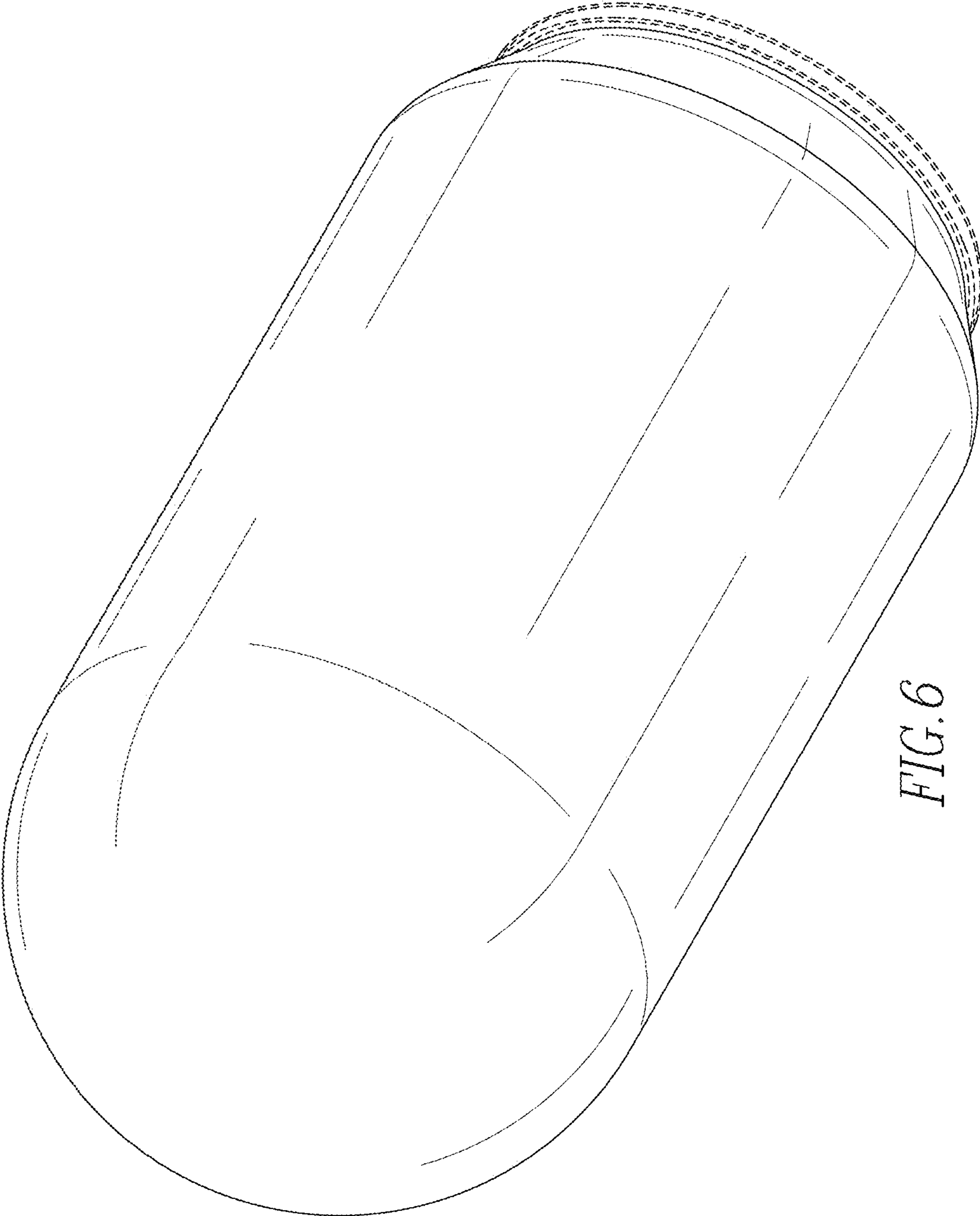


FIG. 6

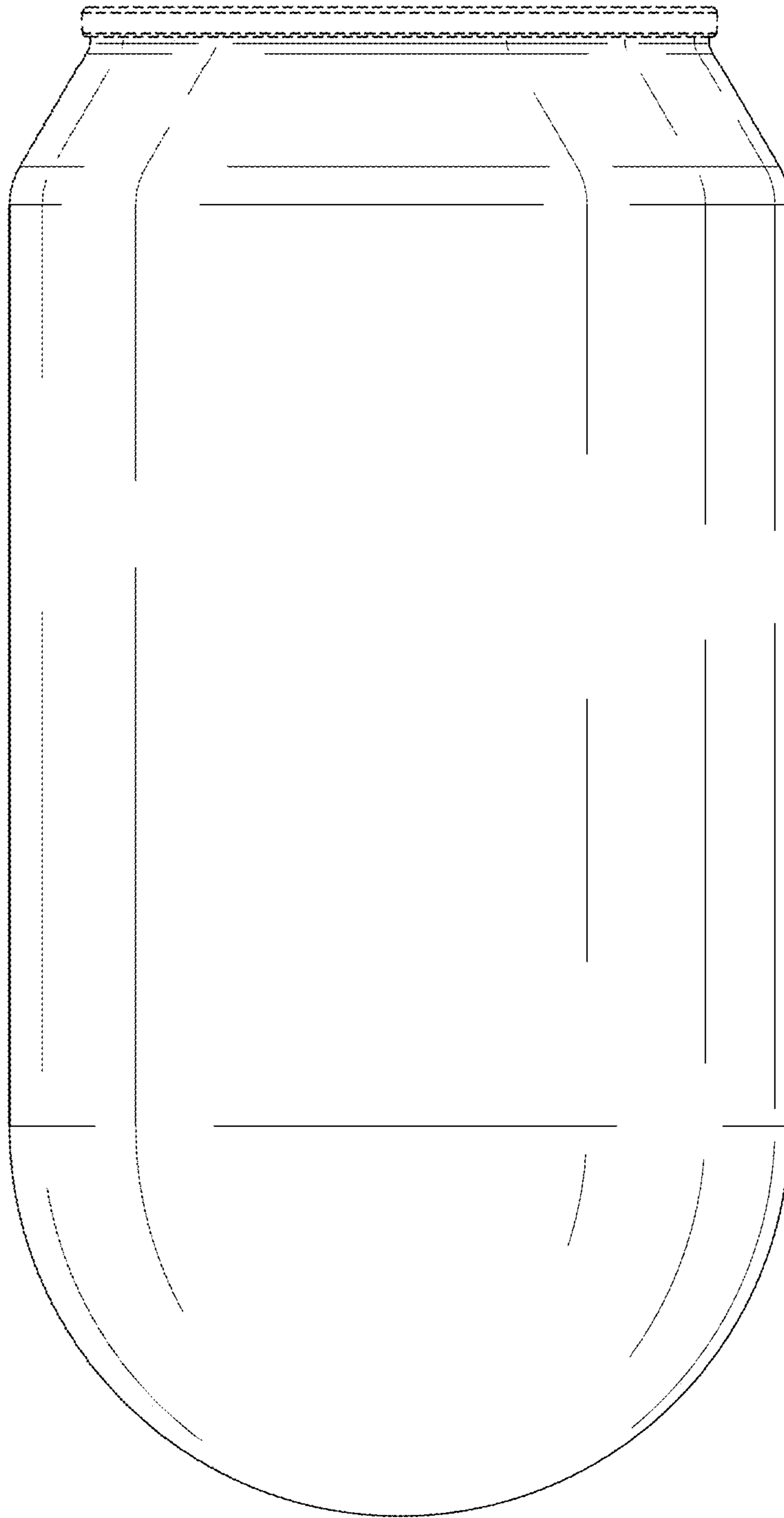


FIG. 7

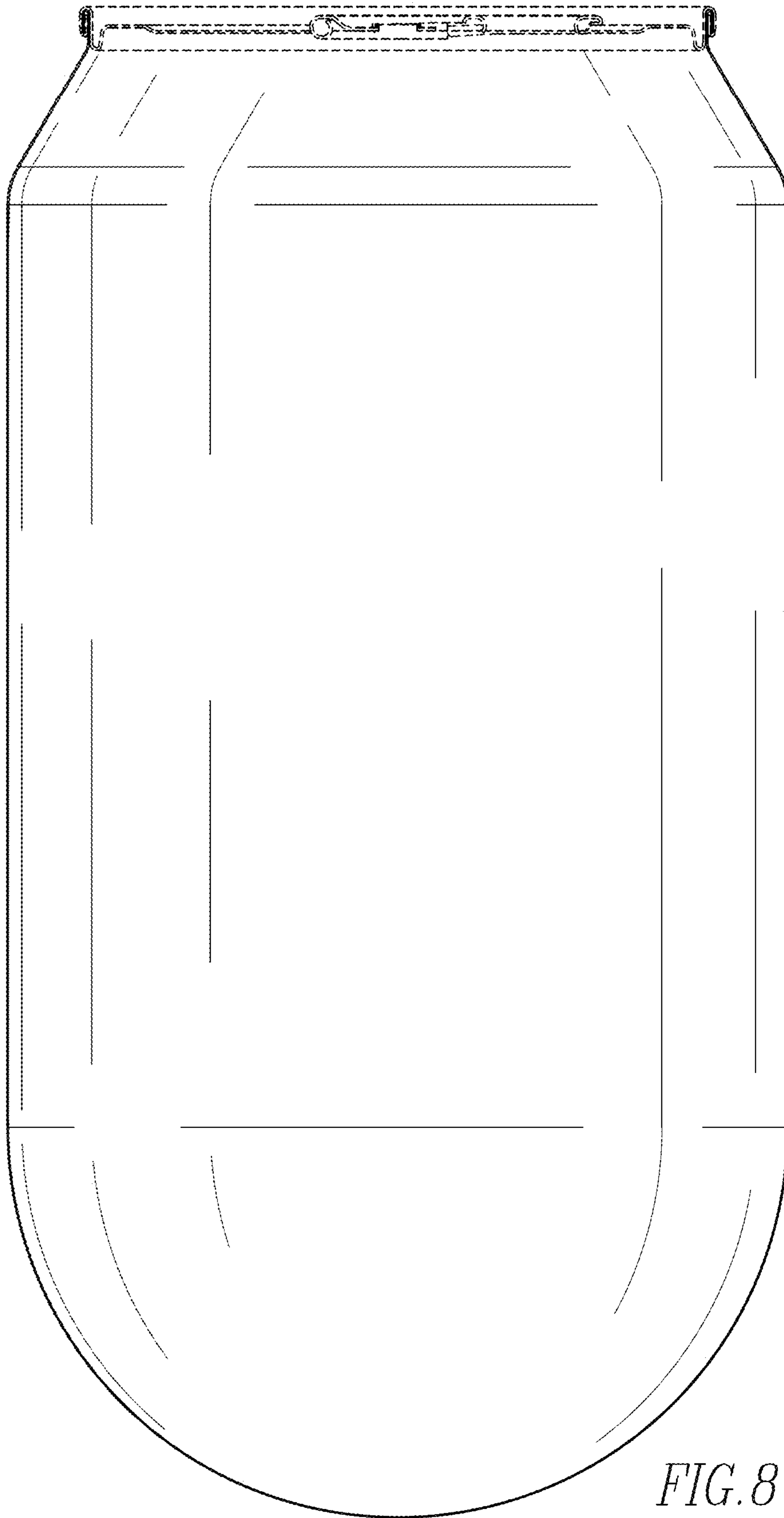


FIG. 8