



US00D880302S

(12) **United States Design Patent** (10) **Patent No.:** **US D880,302 S**
Palmer et al. (45) **Date of Patent:** **** Apr. 7, 2020**

(54) **CONTAINER**

(71) Applicants: **Milacron LLC**, Cincinnati, OH (US);
Altium Packaging LP, Atlanta, GA (US)

(72) Inventors: **Joe Palmer**, Marietta, GA (US); **James Janeczek**, Tecumseh, MI (US); **Grover Manderfield**, Marietta, GA (US)

(73) Assignees: **Milacron LLC**, Cincinnati, OH (US);
Altium Packaging, Atlanta, GA (US)

(**) Term: **15 Years**

(21) Appl. No.: **29/707,436**

(22) Filed: **Sep. 27, 2019**

Related U.S. Application Data

(62) Division of application No. 29/681,894, filed on Feb. 28, 2019.

(51) **LOC (12) Cl.** **09-01**

(52) **U.S. Cl.**
USPC **D9/516**; D9/528; D9/531

(58) **Field of Classification Search**
USPC D9/434, 516, 520, 522, 528, 530-531, D9/537-538, 540-541, 548-550, 575, D9/715, 719; D23/225
CPC B65D 1/00; B65D 1/02; B65D 1/0223; B65D 23/00; B65D 23/10; B65D 23/102; B65D 2501/00; B65D 2501/0009; B65D 2501/0081

See application file for complete search history.

(56) **References Cited**

U.S. PATENT DOCUMENTS

D195,697 S 7/1963 Price
D197,190 S 12/1963 Natale et al.
D201,051 S 5/1965 Shepler

D201,103 S 5/1965 Caisse
D203,560 S 1/1966 Erickson
D204,701 S 5/1966 Shepler
D208,824 S 10/1967 Platte
D213,821 S * 4/1969 Platte D9/531
D215,410 S 9/1969 Hills
D250,995 S 2/1979 Beaver
4,372,455 A 2/1983 Cochran
D286,379 S * 10/1986 Lyons D9/520
D309,421 S 7/1990 Aldrich, III
4,964,522 A 10/1990 Umetsu et al.
D348,612 S 7/1994 Ring
5,833,115 A 11/1998 Eiten
6,068,161 A 5/2000 Soehnlén et al.

(Continued)

FOREIGN PATENT DOCUMENTS

WO WO 1998/033712 A1 8/1998

Primary Examiner — Dana Meyrow

(74) *Attorney, Agent, or Firm* — Alston & Bird LLP

(57) **CLAIM**

The ornamental design for a container, as shown and described.

DESCRIPTION

FIG. 1 is a rear, right, top perspective view of a container according to one exemplary embodiment of the present design.

FIG. 2 is a rear, right, bottom perspective view of the container of FIG. 1.

FIG. 3 is a front view the container of FIG. 1.

FIG. 4 is a rear view of the container of FIG. 1.

FIG. 5 is a right side view of the container of FIG. 1.

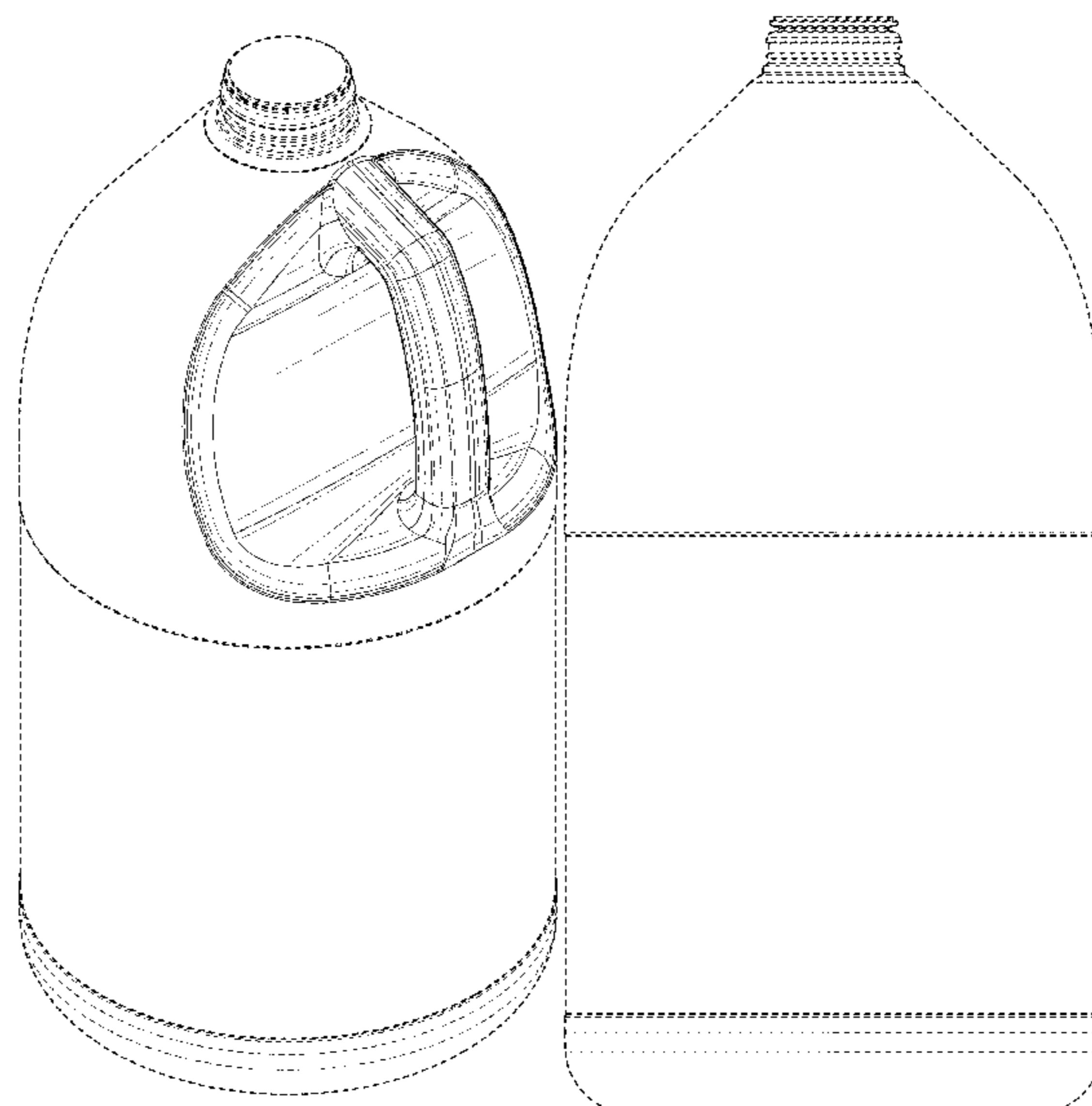
FIG. 6 is a left side view of the container of FIG. 1.

FIG. 7 is a top view of the container of FIG. 1; and,

FIG. 8 is a bottom view of the container of FIG. 1.

The broken lines shown in certain of the figures represent unclaimed portions of the container and form no part of the claimed design.

1 Claim, 8 Drawing Sheets



(56)

References Cited

U.S. PATENT DOCUMENTS

D427,076	S	6/2000	Ankney et al.
6,237,792	B1	5/2001	Skolnicki et al.
D470,417	S	2/2003	Anderson
6,527,133	B1	3/2003	McCollum et al.
6,588,612	B1	7/2003	Dorn et al.
D485,497	S	1/2004	Steele, IV et al.
D488,721	S	4/2004	Peronek
6,889,858	B2	5/2005	McCollum et al.
7,059,486	B2	6/2006	Van Der Heijden et al.
D593,863	S	6/2009	Fahy
7,699,171	B2	4/2010	Rivera et al.
8,047,392	B2	11/2011	Eiten et al.
D662,421	S	6/2012	Dorn
D678,072	S	3/2013	Lobbestael et al.
D685,641	S	7/2013	Tomkins et al.
D686,080	S	7/2013	Tomkins et al.
8,893,908	B2	11/2014	Treece et al.
9,981,768	B1	5/2018	Palmer et al.
D823,690	S	7/2018	Palmer et al.
D823,691	S	7/2018	Palmer et al.
2003/0006210	A1	1/2003	Iizuka et al.
2003/0155324	A1	8/2003	McCollum et al.
2003/0230545	A1	12/2003	Mount et al.
2004/0094502	A1	5/2004	Boukobza
2005/0082251	A1	4/2005	Darr et al.
2006/0260971	A1	11/2006	Rivera et al.
2007/0023384	A1	2/2007	Janeczek
2010/0089863	A1	4/2010	Matsuoka
2011/0132863	A1	6/2011	Dorn
2012/0241405	A1	9/2012	Lobbestael et al.
2013/0001234	A1	1/2013	Glover
2016/0272356	A1	9/2016	Simpson et al.

* cited by examiner

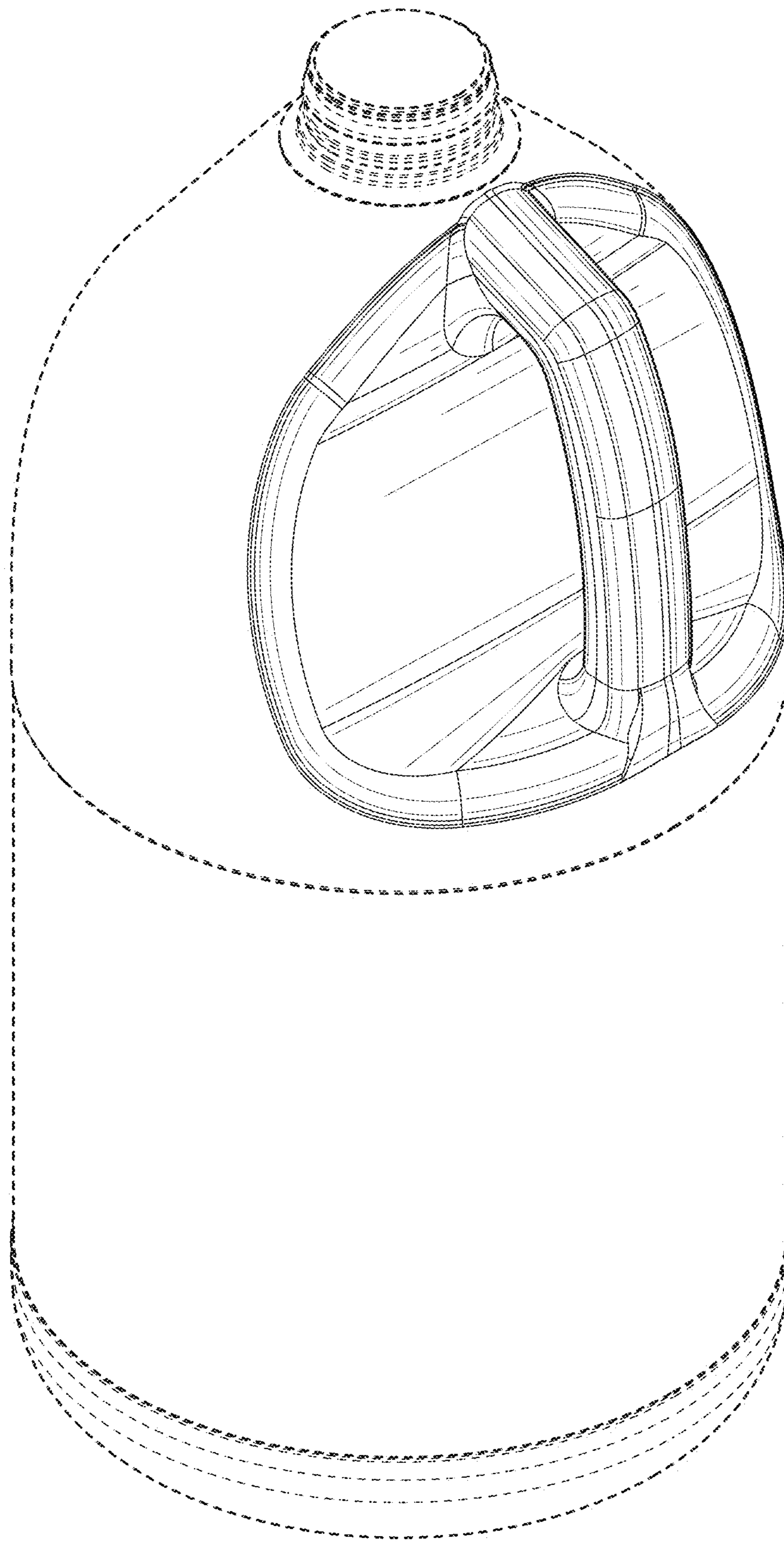


FIG. 1

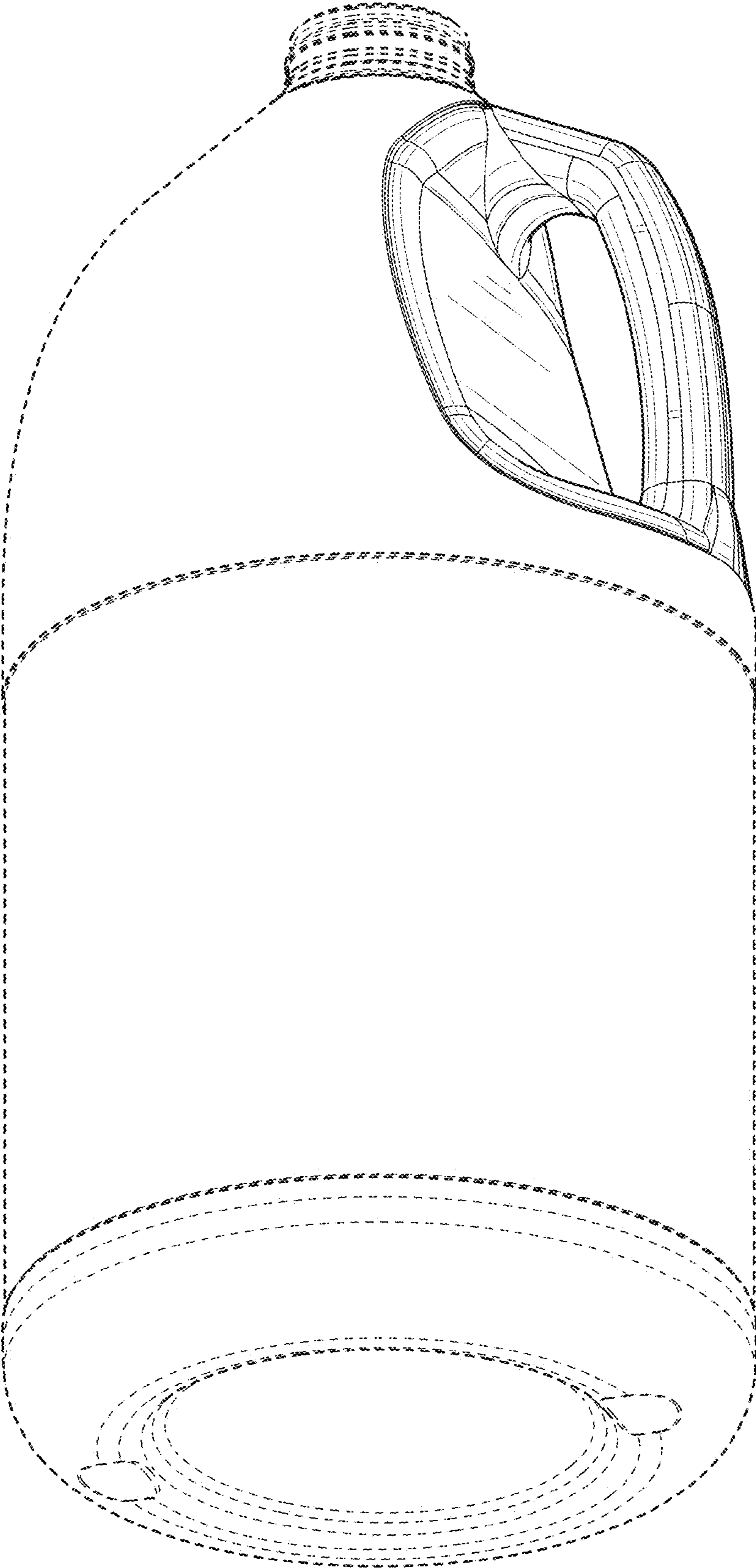


FIG. 2

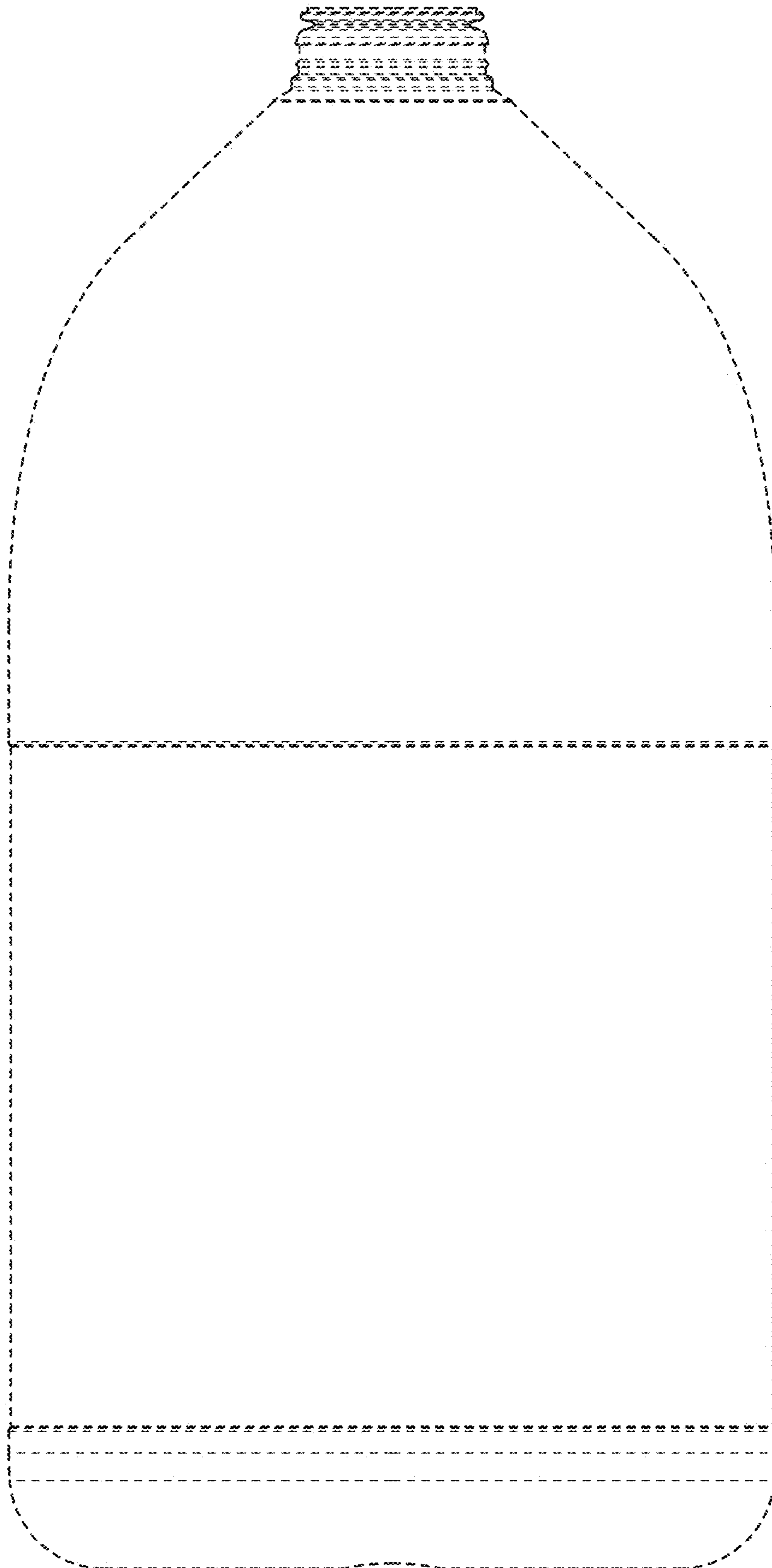


FIG. 3

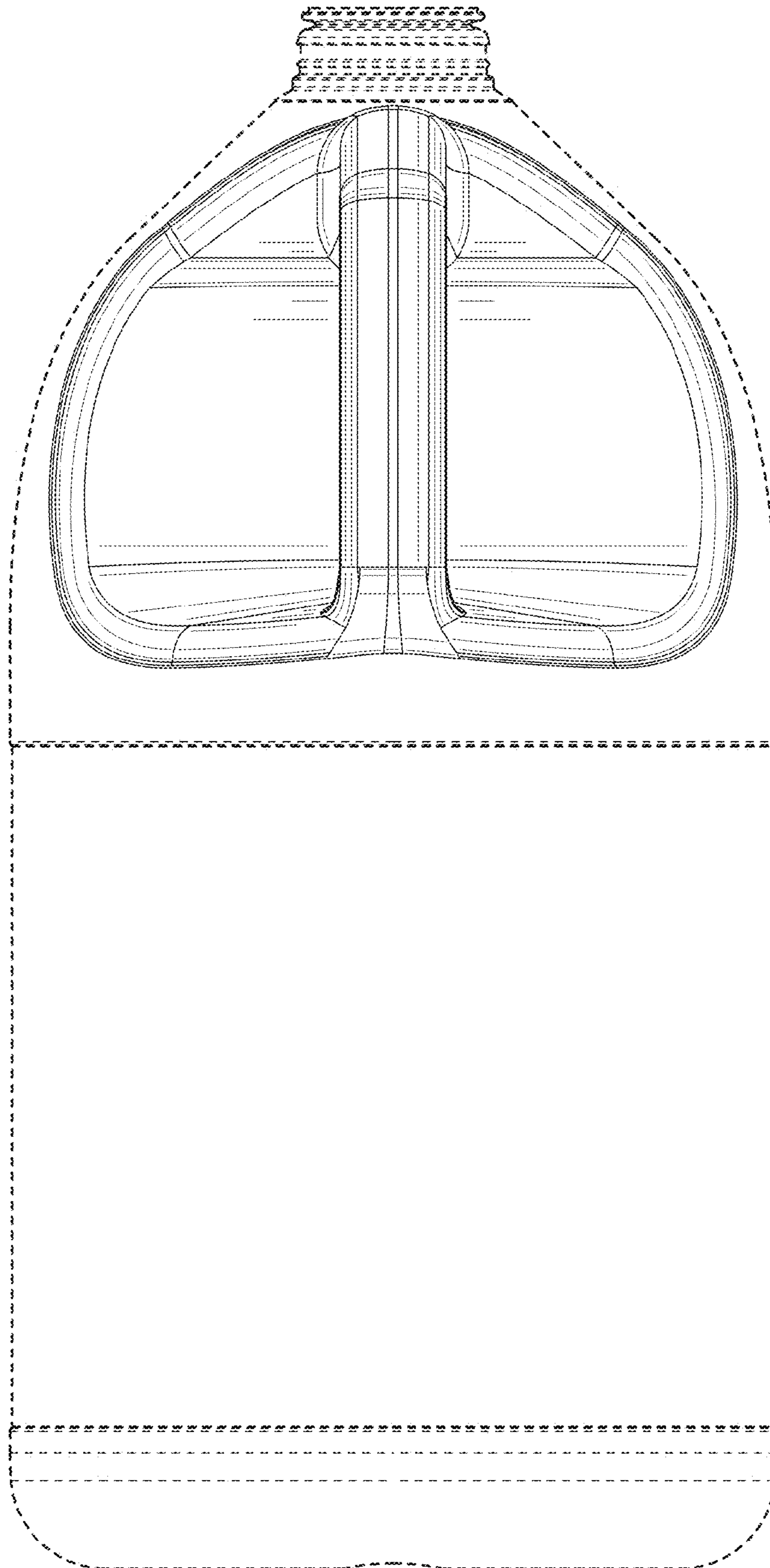


FIG. 4

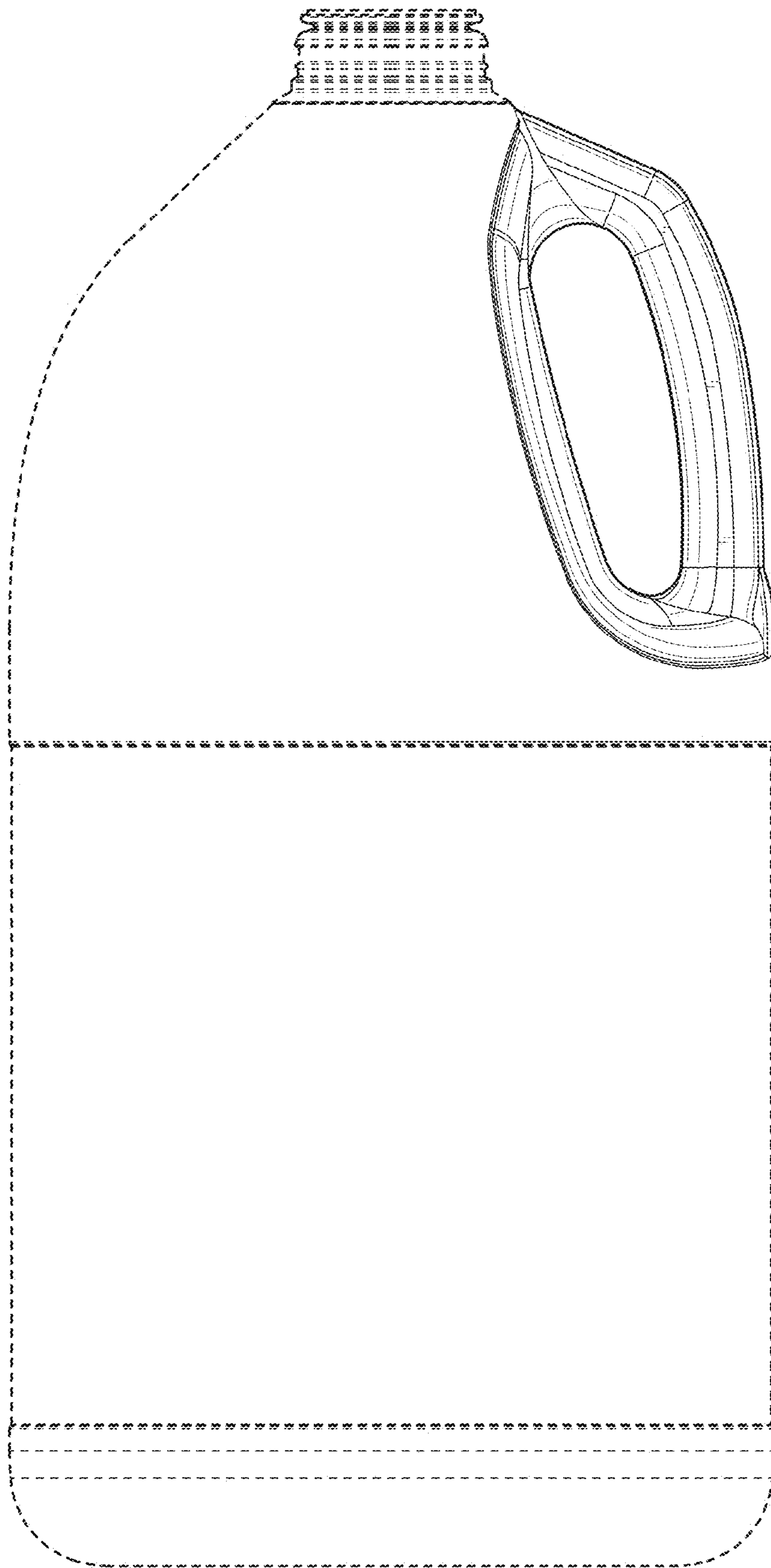


FIG. 5

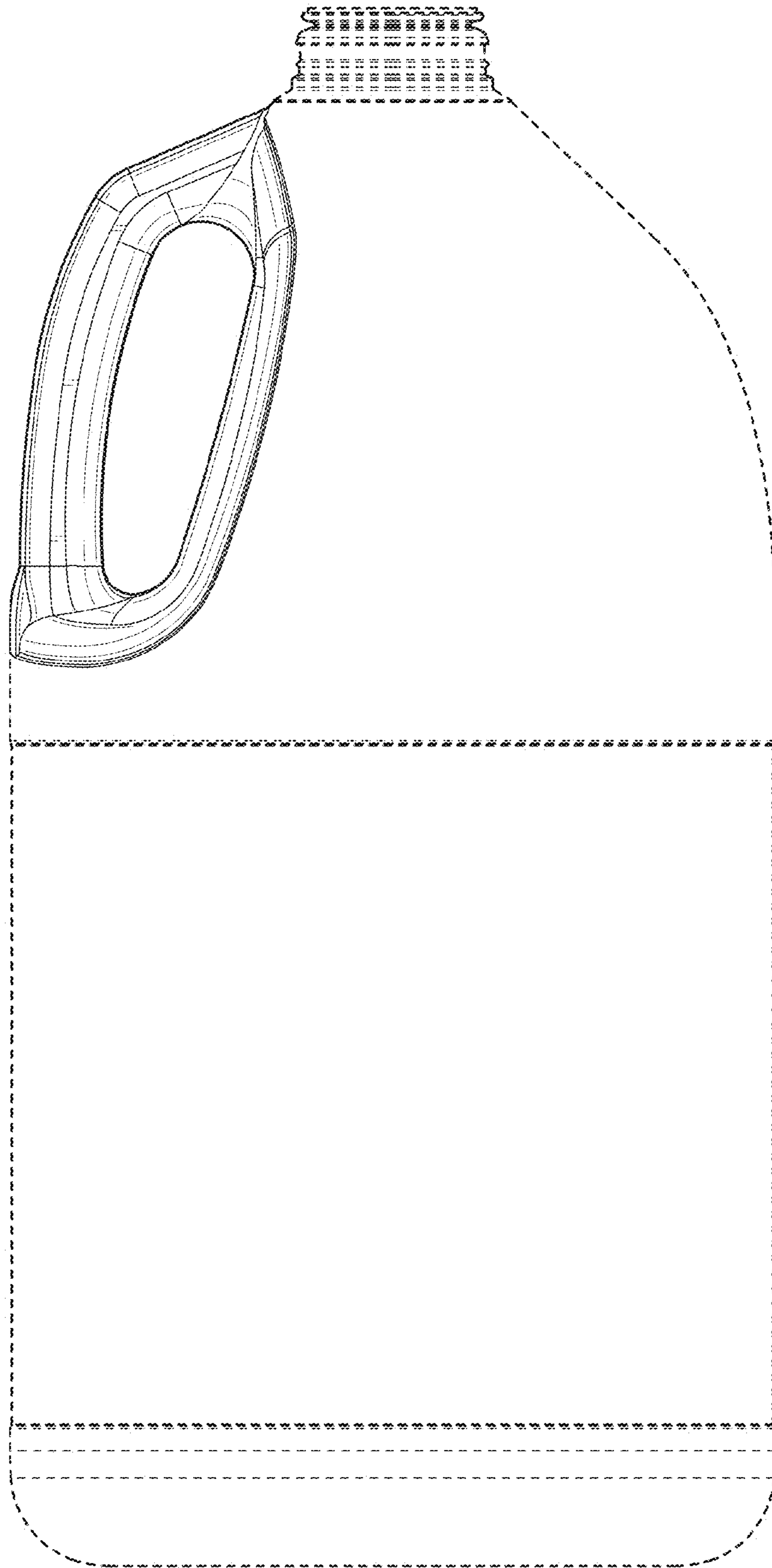


FIG. 6

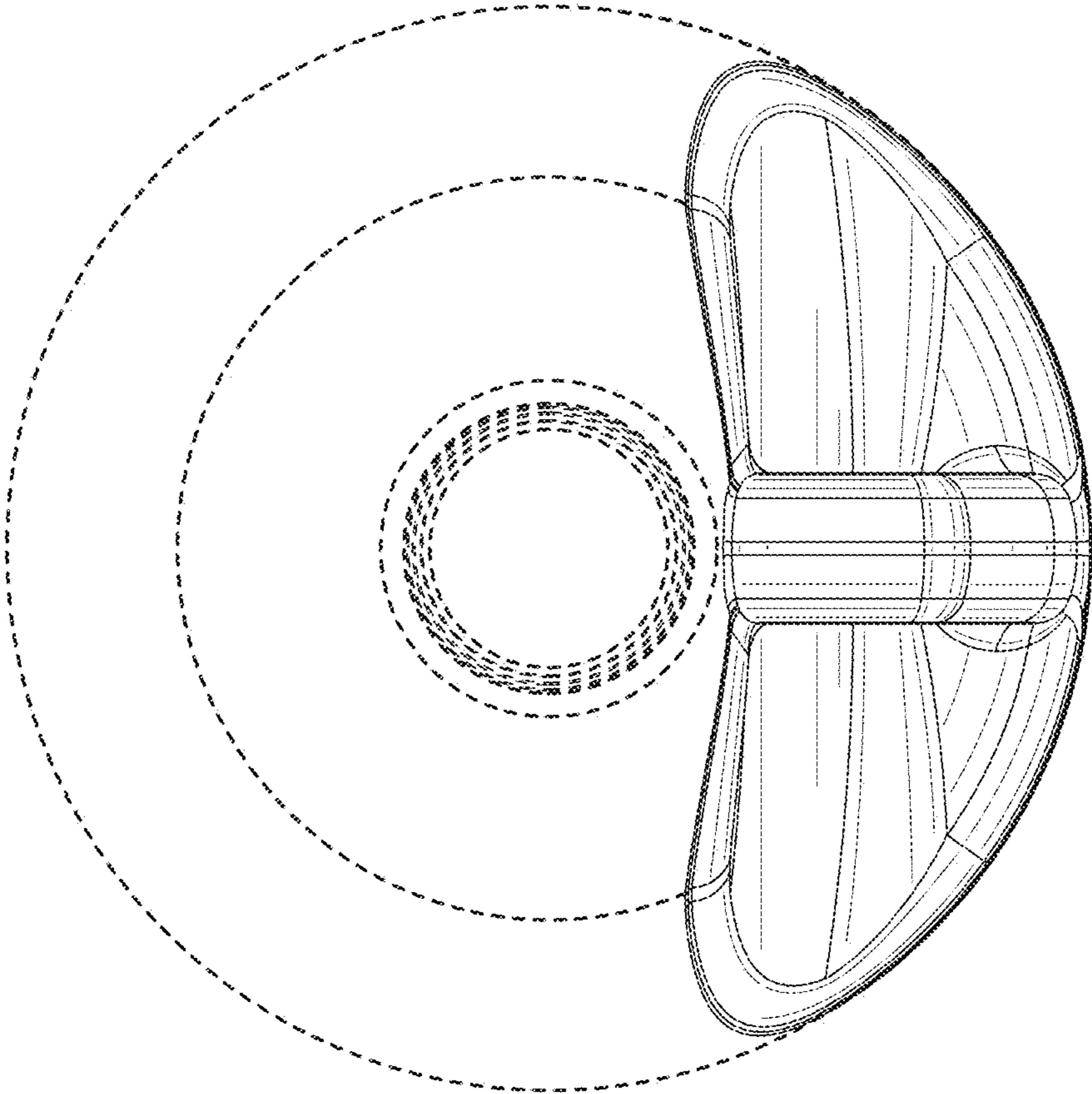


FIG. 7

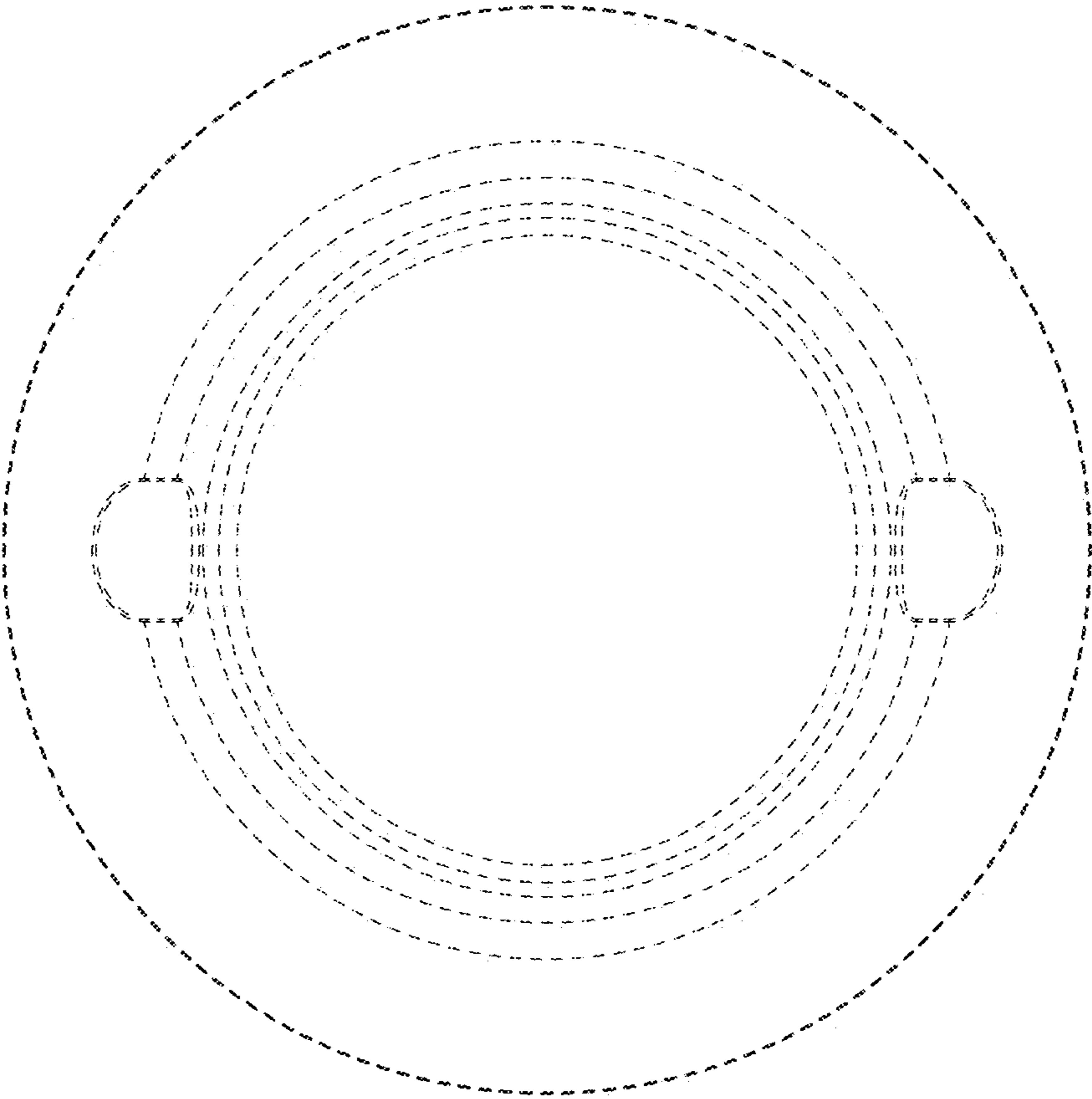


FIG. 8

UNITED STATES PATENT AND TRADEMARK OFFICE
CERTIFICATE OF CORRECTION

PATENT NO. : D880,302 S
APPLICATION NO. : 29/707436
DATED : April 7, 2020
INVENTOR(S) : Palmer et al.

Page 1 of 1

It is certified that error appears in the above-identified patent and that said Letters Patent is hereby corrected as shown below:

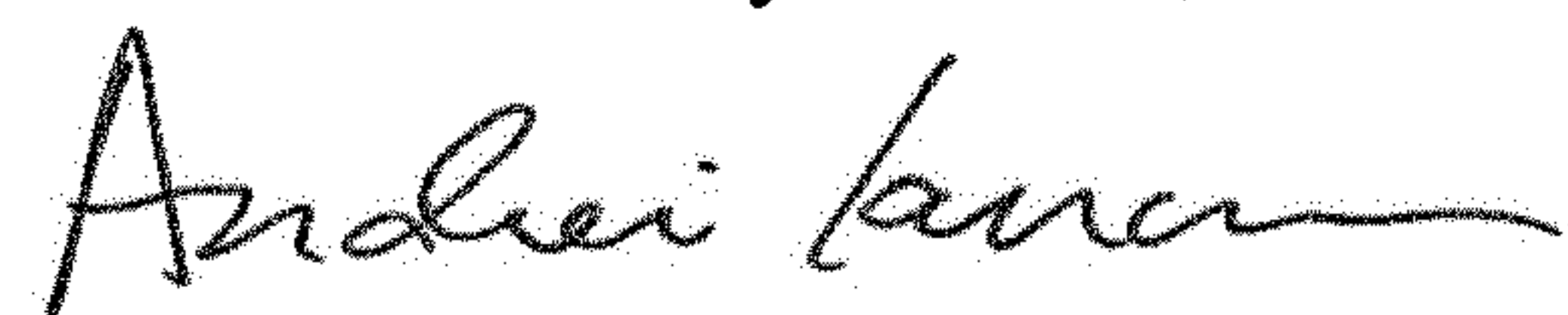
On the Title Page

“(73) Assignees: **Milacron LLC**, Cincinnati, OH (US)
Altium Packaging, Atlanta, GA (US)”

Should read:

--(73) Assignees: **Milacron LLC**, Cincinnati, OH (US)
Altium Packaging LP, Atlanta, GA (US)--

Signed and Sealed this
Sixteenth Day of June, 2020



Andrei Iancu
Director of the United States Patent and Trademark Office