



US00D880297S

(12) **United States Design Patent**
Pan

(10) **Patent No.:** **US D880,297 S**

(45) **Date of Patent:** **** Apr. 7, 2020**

(54) **CUP LID**

(71) Applicant: **Wei Chih Pan**, Taoyuan (TW)

(72) Inventor: **Wei Chih Pan**, Taoyuan (TW)

(**) Term: **15 Years**

(21) Appl. No.: **29/662,502**

(22) Filed: **Sep. 6, 2018**

(51) **LOC (12) Cl.** **09-07**

(52) **U.S. Cl.**
USPC **D9/447**

(58) **Field of Classification Search**
USPC D9/414, 434-436, 438-440, 443-457,
D9/499, 503-505, 682, 685, 686;
D7/387, 391, 392, 392.1, 396.2-396.4,
D7/401.1, 507, 509-511, 538, 900;
D3/202, 203.2, 318; D28/91.1; D34/7,
D34/11
CPC .. A61J 1/00; A61J 1/1412; B65D 1/00; B65D
1/02; B65D 1/10; B65D 1/46; B65D
5/46; B65D 41/00; B65D 41/38; B65D
41/56; B65D 41/62; B65D 47/00; B65D
47/06; B65D 47/08; B65D 2251/00;
B65D 2543/00046; B65D 2543/00092;
B65D 2543/00296; B65D 2585/56; B65D
2585/545

See application file for complete search history.

(56) **References Cited**

U.S. PATENT DOCUMENTS

D200,360 S *	2/1965	Deisner et al.	D34/11
4,508,235 A *	4/1985	Steele	B65D 43/0212 215/307
D286,508 S *	11/1986	Tilden	D9/435
D343,267 S *	1/1994	Craft	D34/10
D358,294 S *	5/1995	Letica	D9/445
D417,847 S *	12/1999	Rush	D9/454

D440,155 S *	4/2001	Schaefer	D9/451
D457,396 S *	5/2002	Janky	D7/510
D516,871 S *	3/2006	Graves	D7/401.1
D523,333 S *	6/2006	Moretti	D9/444
D627,599 S *	11/2010	Richau	D7/510
D643,285 S *	8/2011	Zomorodi	D9/429
D643,286 S *	8/2011	Zomorodi	D9/429
D672,236 S *	12/2012	Zomorodi	D9/435
8,381,935 B1 *	2/2013	Buck	A47G 19/2205 220/254.4
D703,043 S *	4/2014	Kovitz	D9/435
D713,722 S *	9/2014	Miller	D9/436
D730,693 S *	6/2015	Liu	D7/510
9,061,813 B2 *	6/2015	Steininger	B65D 47/2043
D807,119 S *	1/2018	Bell	A47G 19/2205 D7/532
D817,083 S *	5/2018	Magovern, III	D7/392.1
D828,923 S *	9/2018	Lanternari	D24/197
10,196,190 B2 *	2/2019	Miller	B65D 51/24

(Continued)

Primary Examiner — Michael A. Pratt

Assistant Examiner — Wendy L Arminio

(74) *Attorney, Agent, or Firm* — Jackson IPG PLLC;
Demian K. Jackson

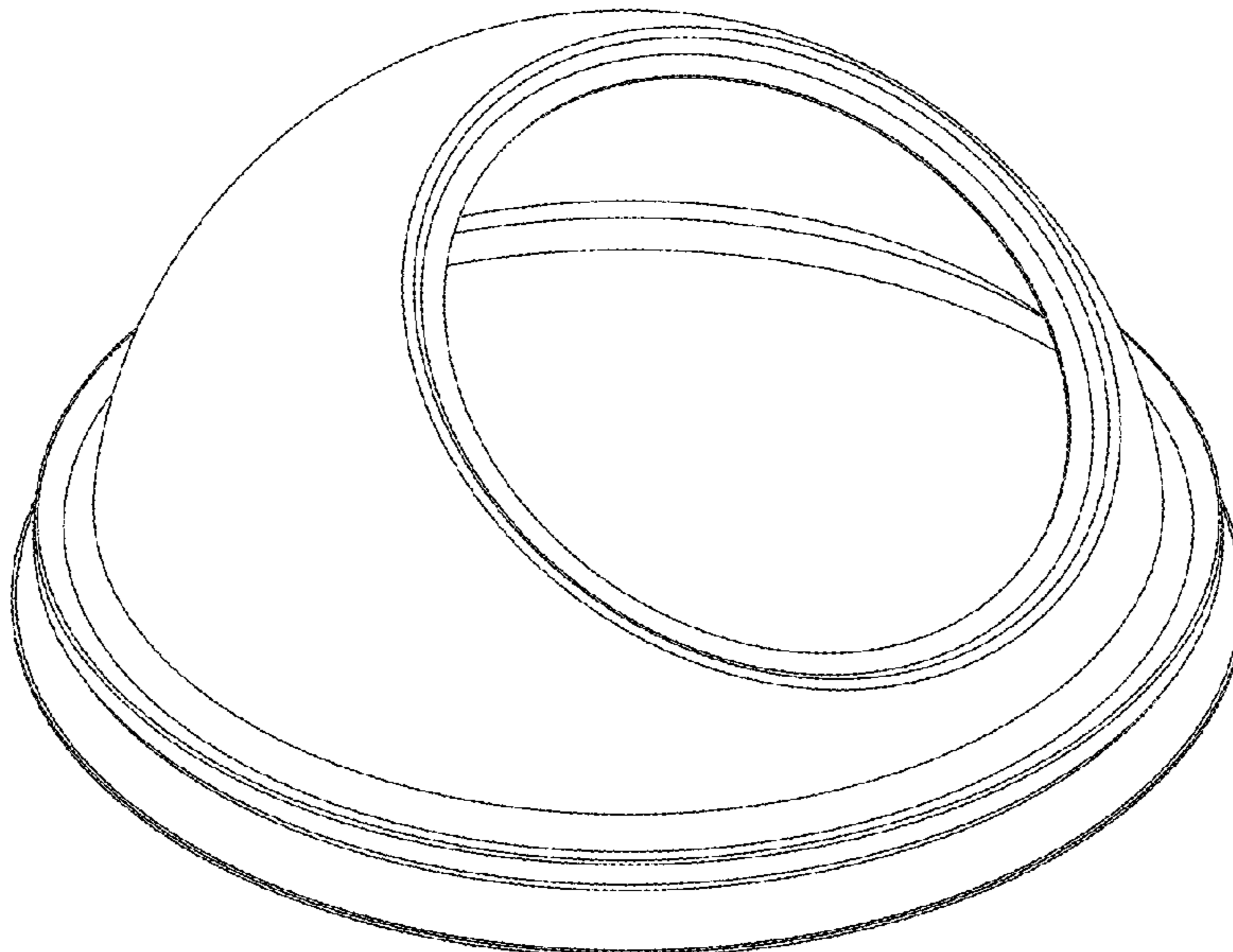
(57) **CLAIM**

The ornamental design for a cup lid, as shown and described.

DESCRIPTION

FIG. 1 is a top perspective view of a cup lid showing my new design;
FIG. 2 is a front elevational view thereof;
FIG. 3 is a rear elevational view thereof;
FIG. 4 is a left side elevational view thereof;
FIG. 5 is a right side elevational view thereof;
FIG. 6 is a top plan view thereof;
FIG. 7 is a bottom plan view thereof; and,
FIG. 8 is a reference cross-sectional view taken in the direction of line 8-8 in FIG. 2.

1 Claim, 8 Drawing Sheets



(56)

References Cited

U.S. PATENT DOCUMENTS

2010/0112146 A1* 5/2010 Zoss B65D 25/04
426/115
2012/0261417 A1* 10/2012 Tabor B26F 1/40
220/254.1
2018/0141723 A1* 5/2018 Chen B65D 43/021

* cited by examiner

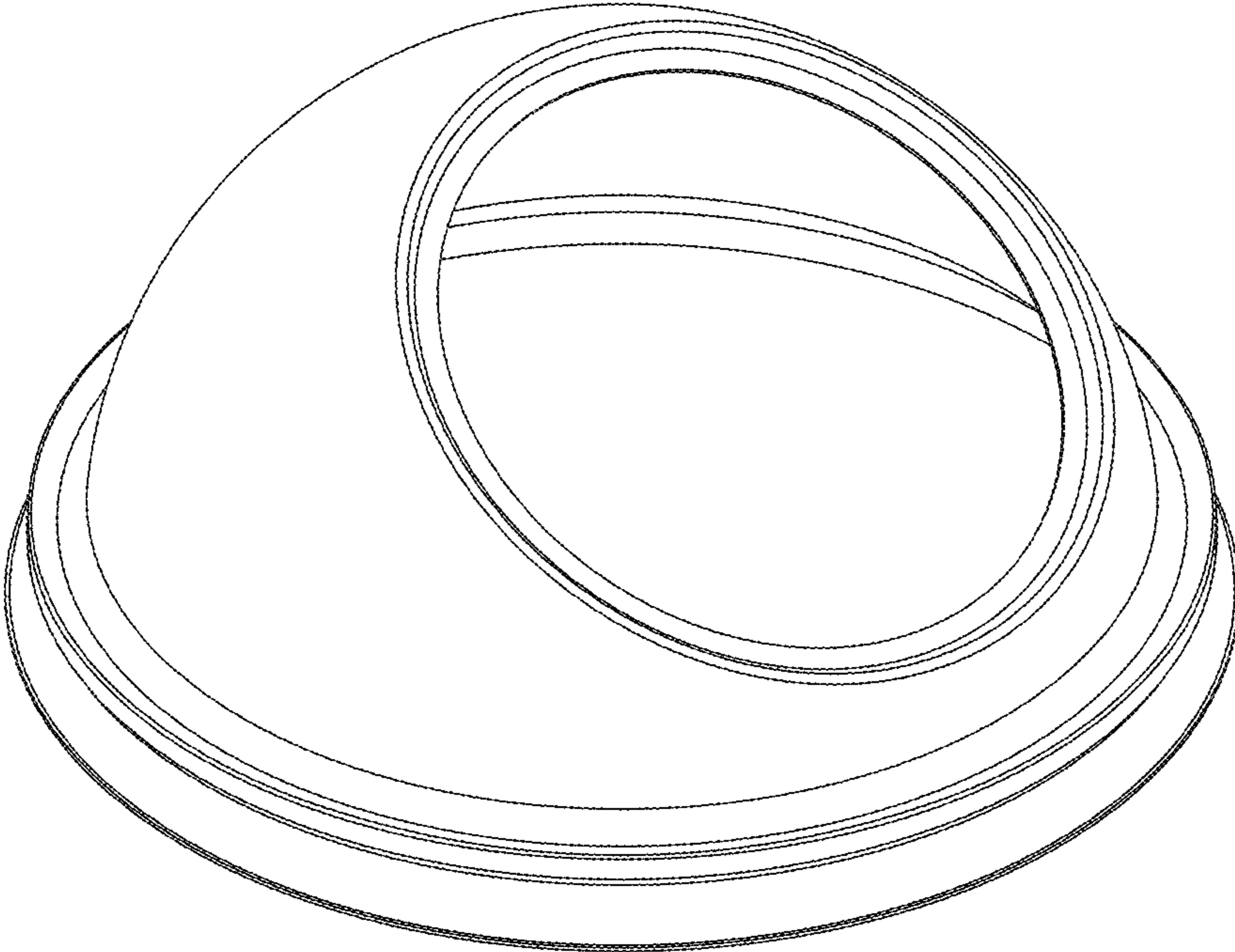


Fig.1

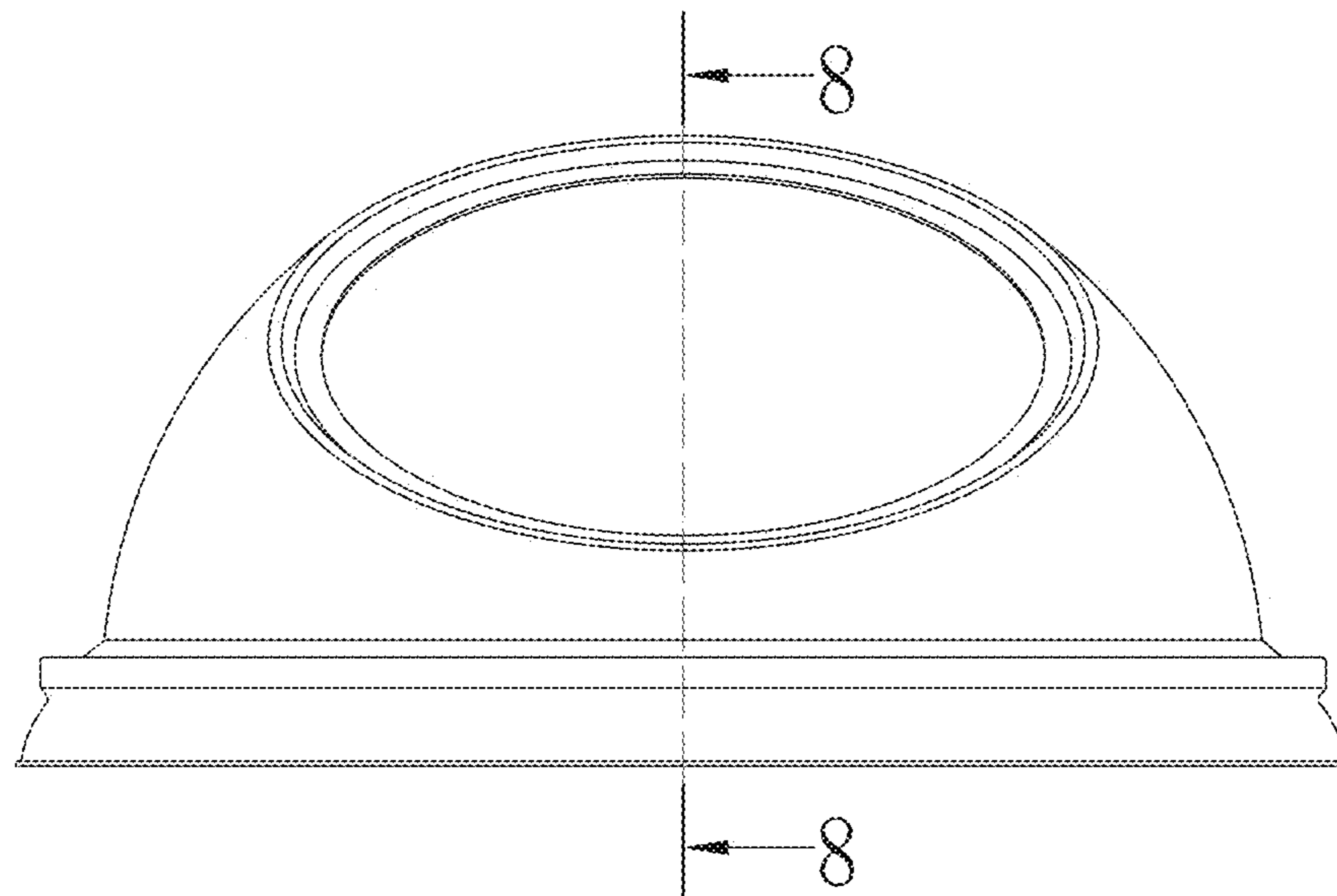


Fig.2

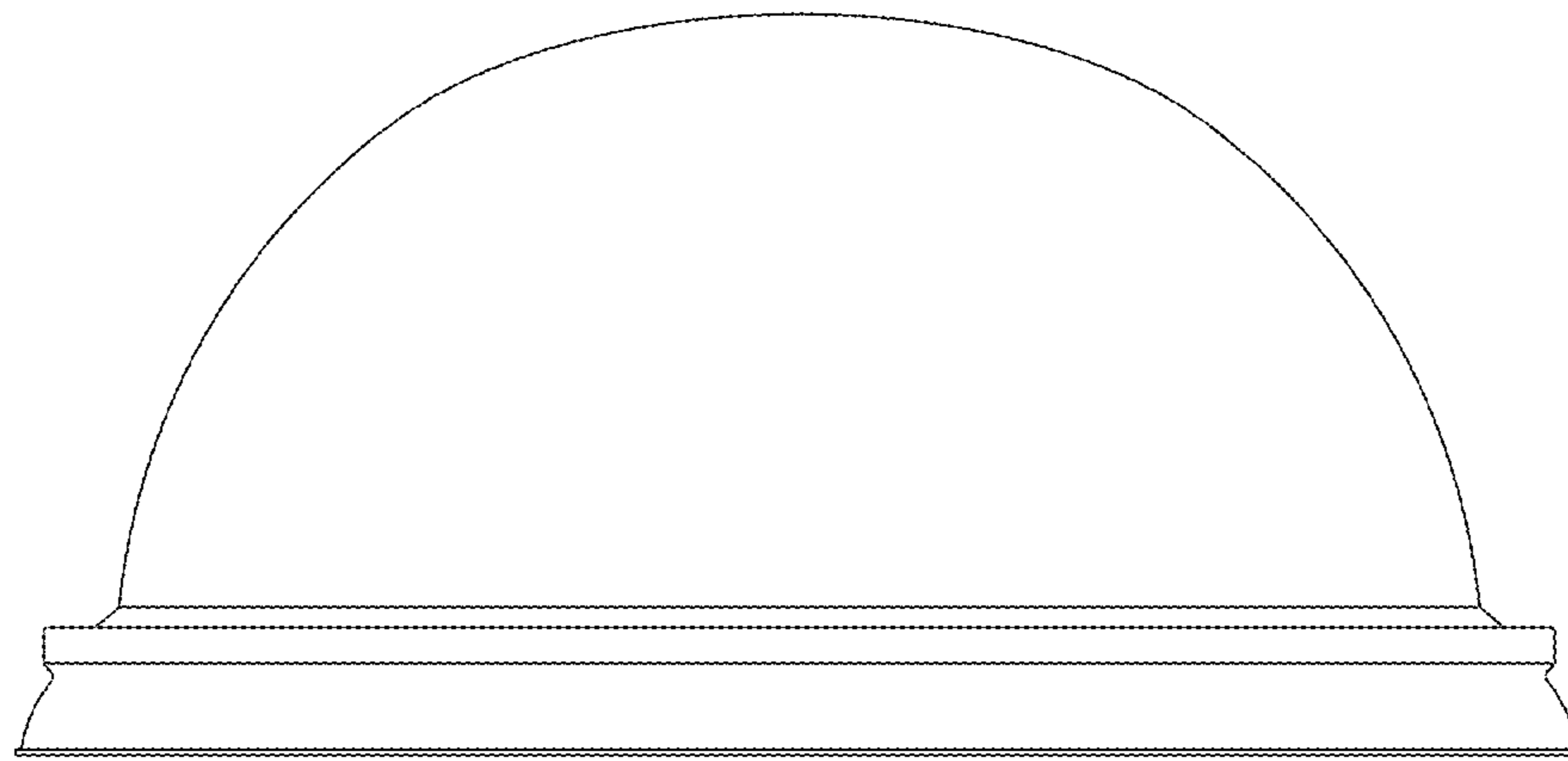


Fig.3

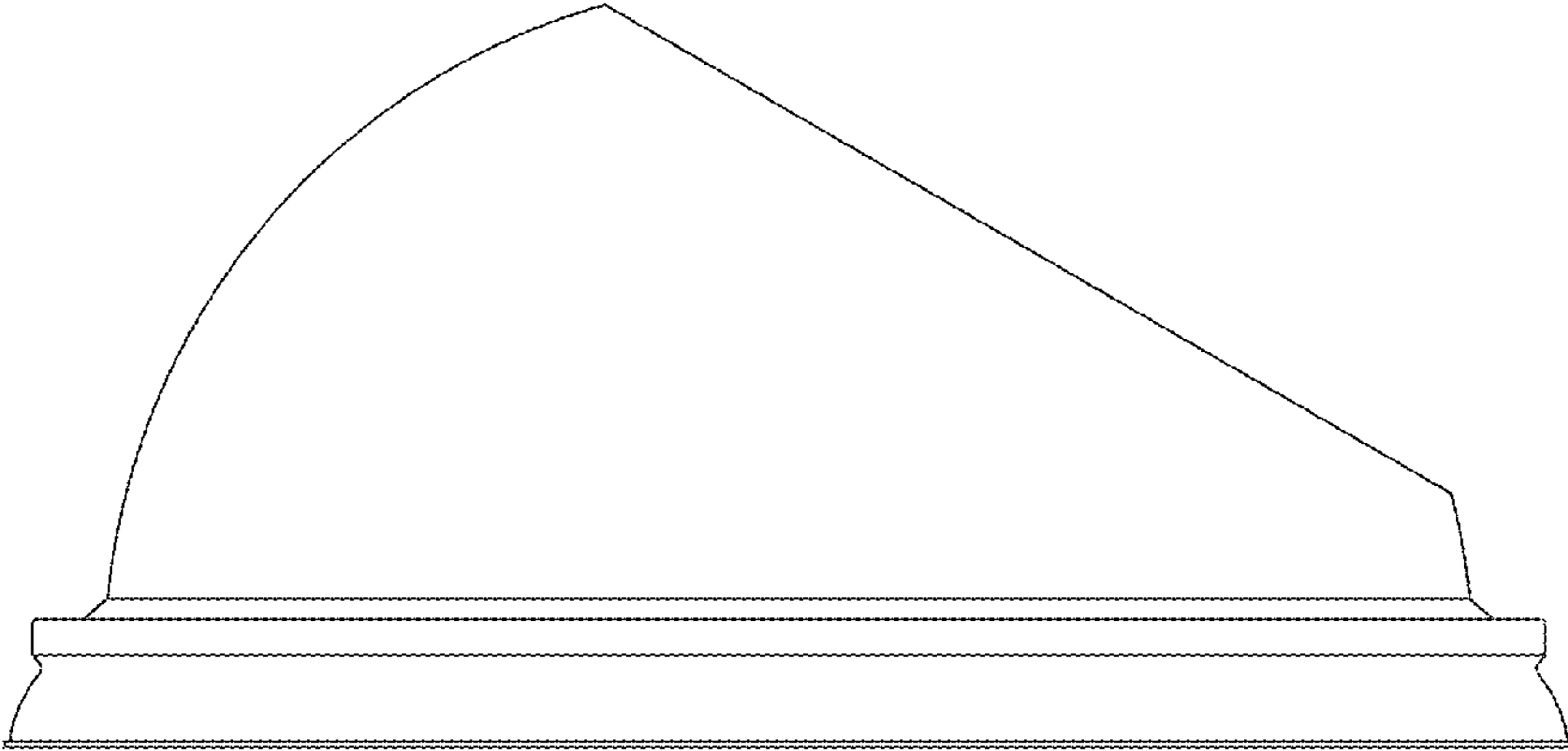


Fig.4

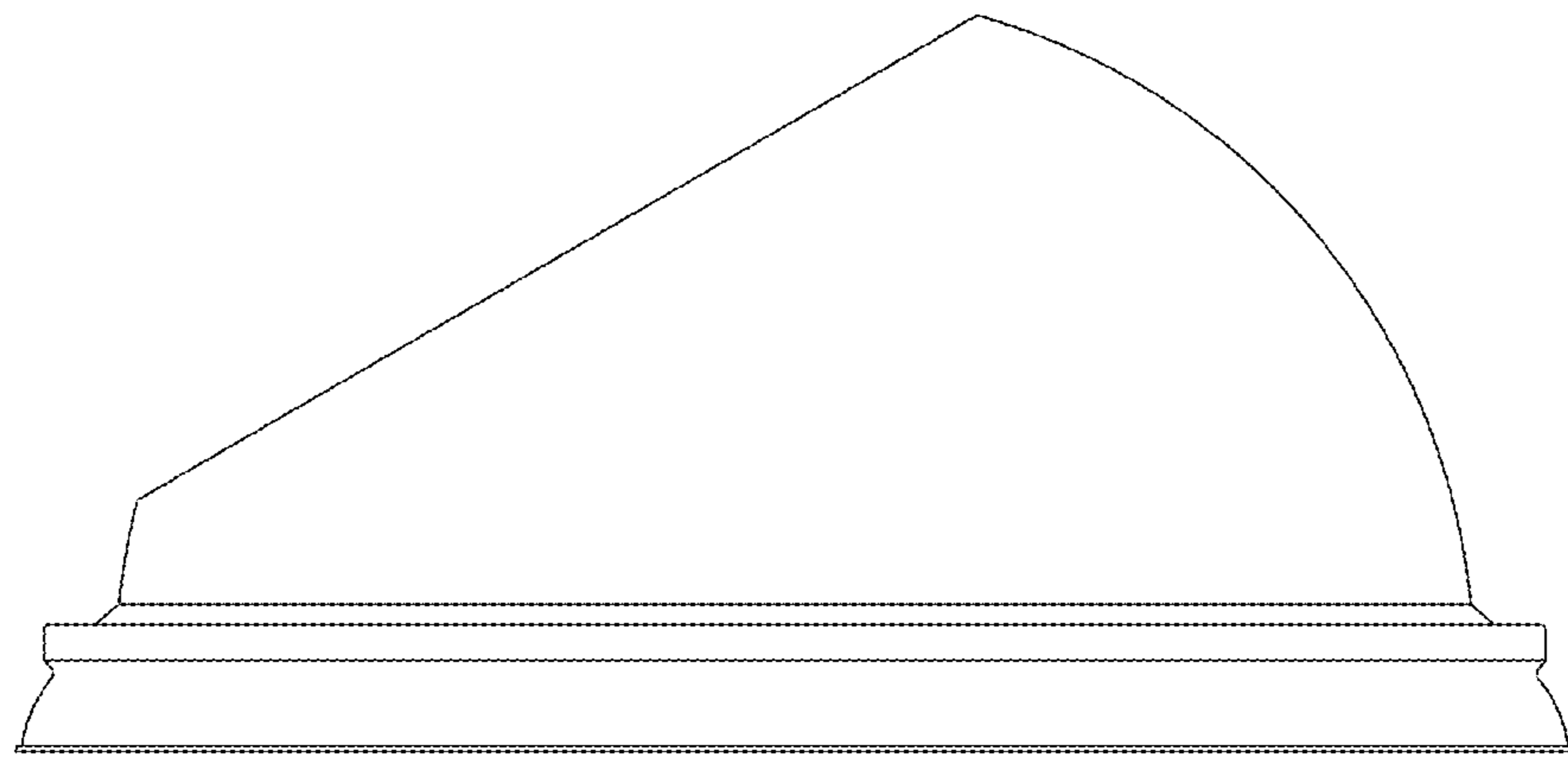


Fig.5

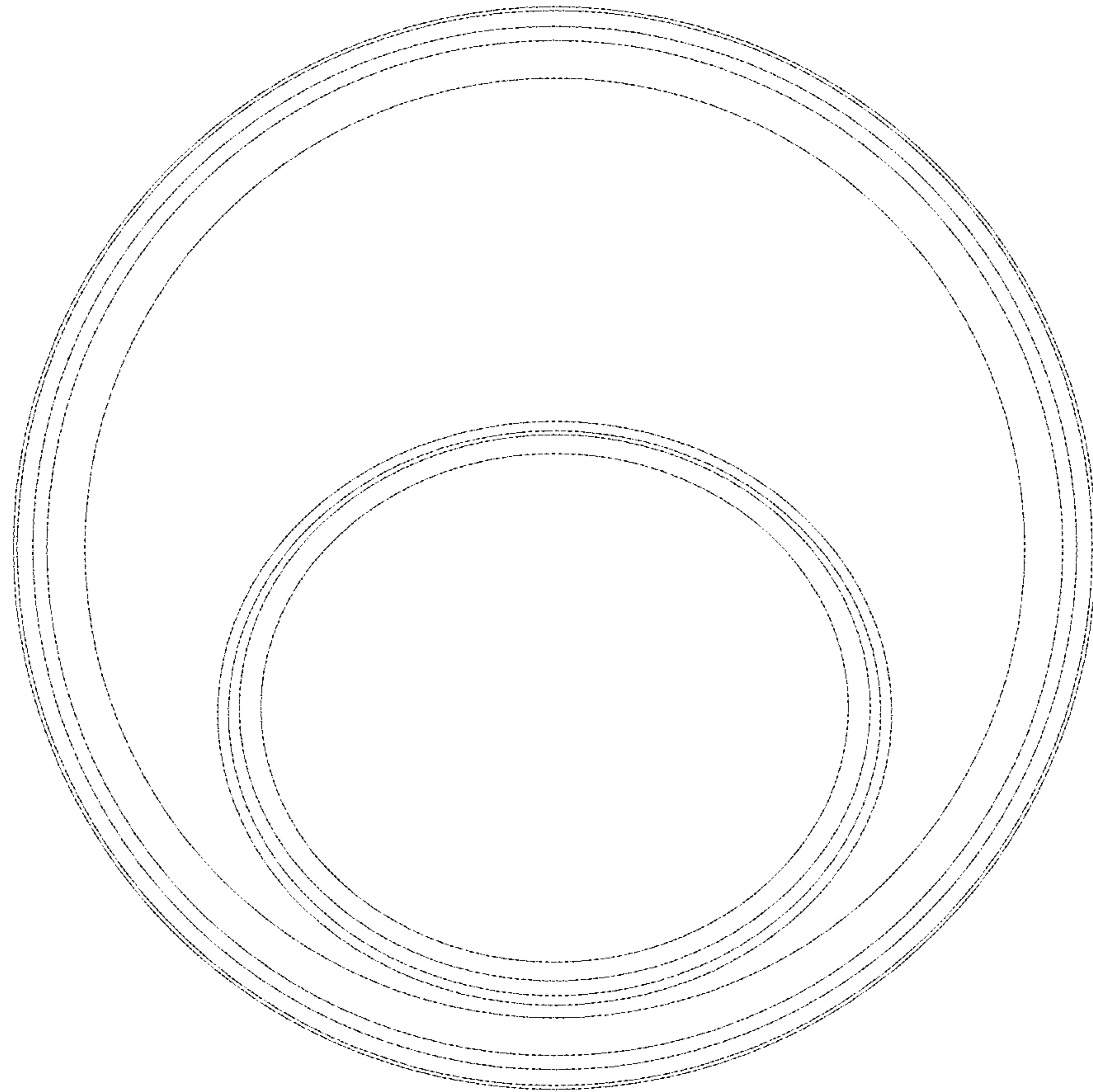


Fig.6

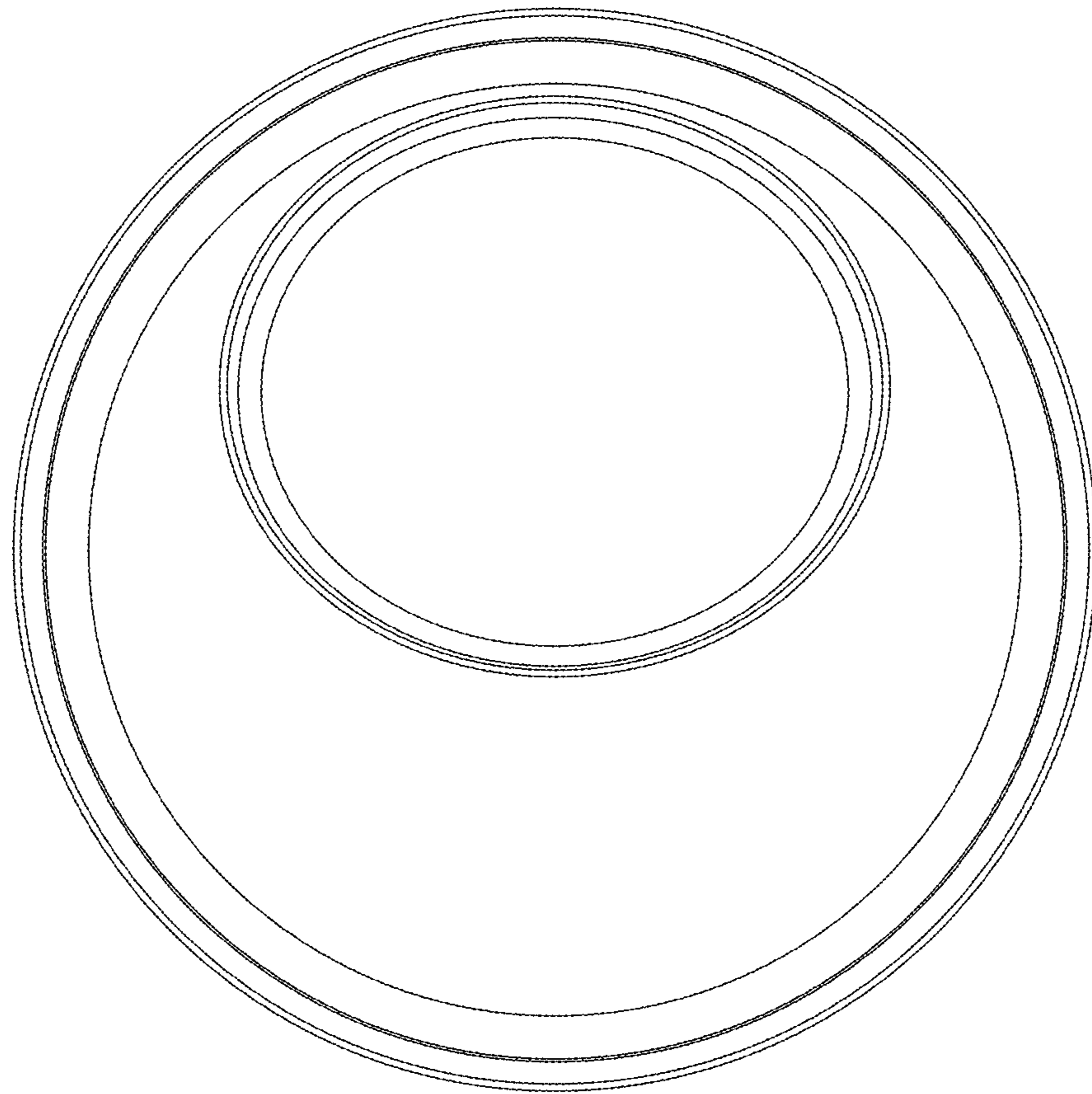


Fig.7

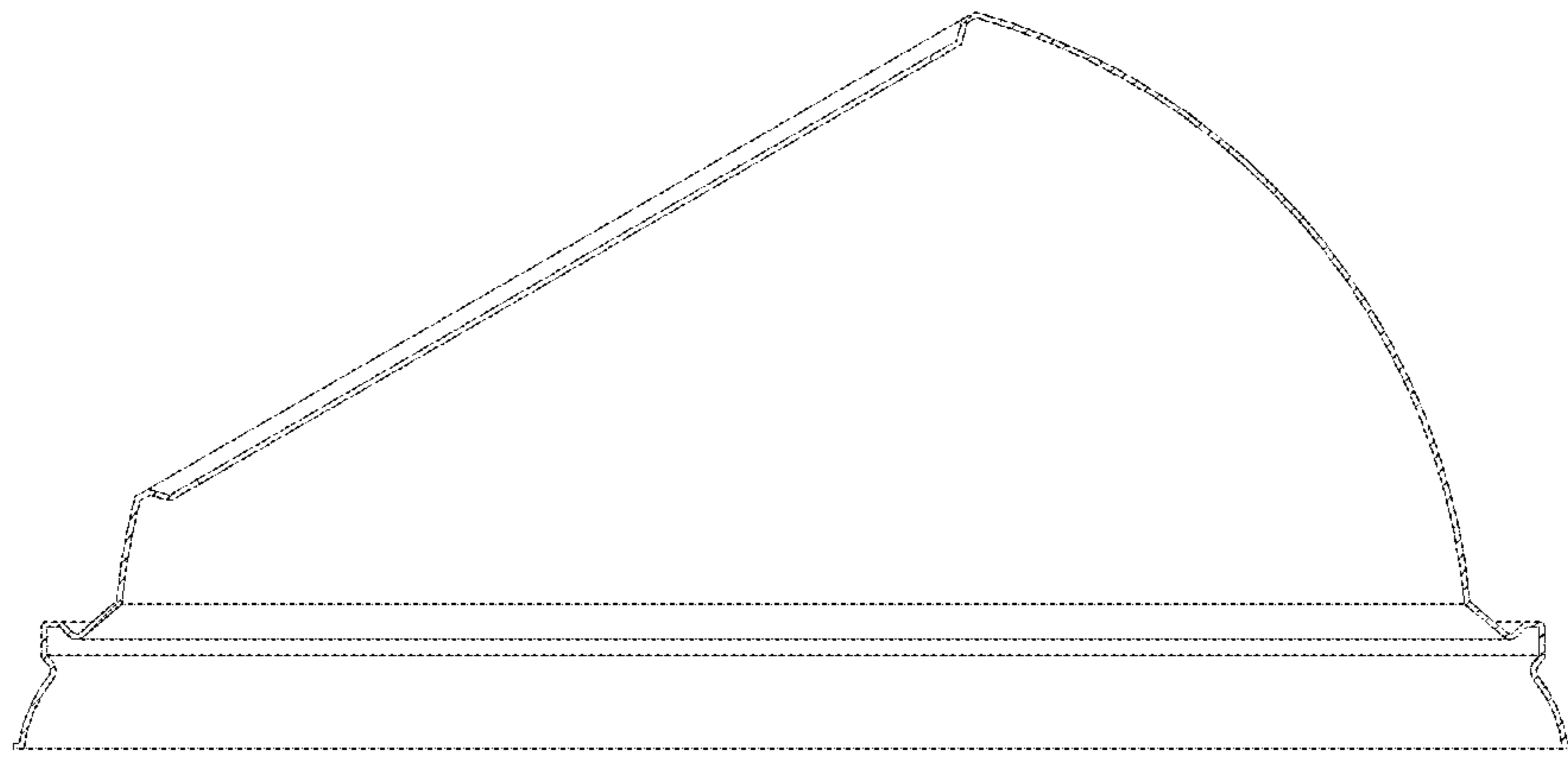


Fig.8