



US00D880292S

(12) **United States Design Patent**
Blomberg et al.

(10) **Patent No.:** **US D880,292 S**
(45) **Date of Patent:** **** Apr. 7, 2020**

(54) **ROLLED PRODUCT CONTAINER**

(71) Applicant: **POLLEN GEAR LLC**, New York, NY (US)

(72) Inventors: **Shane Grant Blomberg**, Brooklyn, NY (US); **Edward Kilduff**, New York, NY (US)

(73) Assignee: **Pollen Gear LLC**, Hermosa Beach, CA (US)

(**) Term: **15 Years**

(21) Appl. No.: **29/601,826**

(22) Filed: **Apr. 26, 2017**

(51) **LOC (12) Cl.** **09-03**

(52) **U.S. Cl.**
USPC **D9/432**

(58) **Field of Classification Search**

USPC D9/414, 424, 723, 724, 726, 432;
D3/201, 203.1, 295–298

CPC B65D 85/00; B65D 43/20; B65D 43/12;
B65D 81/113; B65D 83/0409; B65D 81/05;
B65D 81/02; B65D 85/30; B65D 5/5038;
B65D 83/04; B65D 2519/00323; B65D 2581/055;
B65D 81/127; B65D 2583/0454; B65D 81/133; B65D 2519/00273

See application file for complete search history.

(56) **References Cited**

U.S. PATENT DOCUMENTS

828,151 A 8/1906 Upjohn
1,958,101 A * 5/1934 Duell B65D 83/0409
221/246

(Continued)

Primary Examiner — Lauren R Calve

(74) *Attorney, Agent, or Firm* — RMCK Law Group PLC

(57) **CLAIM**

The ornamental design for a rolled product container, as shown and described.

DESCRIPTION

FIG. 1 is a top perspective view of a rolled product container in a closed condition in accordance with the present teachings.

FIG. 2 is a bottom perspective view of the rolled product container of FIG. 1.

FIG. 3 is a first side view of the rolled product container of FIG. 1.

FIG. 4 is a second side view of the rolled product container of FIG. 1.

FIG. 5 is a third side view of the rolled product container of FIG. 1.

FIG. 6 is a fourth side view of the rolled product container of FIG. 1.

FIG. 7 is a top view of the rolled product container of FIG. 1.

FIG. 8 is a bottom view of the rolled product container of FIG. 1.

FIG. 9 is a top perspective view of a rolled product container in an open condition in accordance with a second embodiment of the present teachings.

FIG. 10 is a bottom perspective view of the rolled product container of FIG. 9.

FIG. 11 is a first side view of the rolled product container of FIG. 9.

FIG. 12 is a second side view of the rolled product container of FIG. 9.

FIG. 13 is a third side view of the rolled product container of FIG. 9.

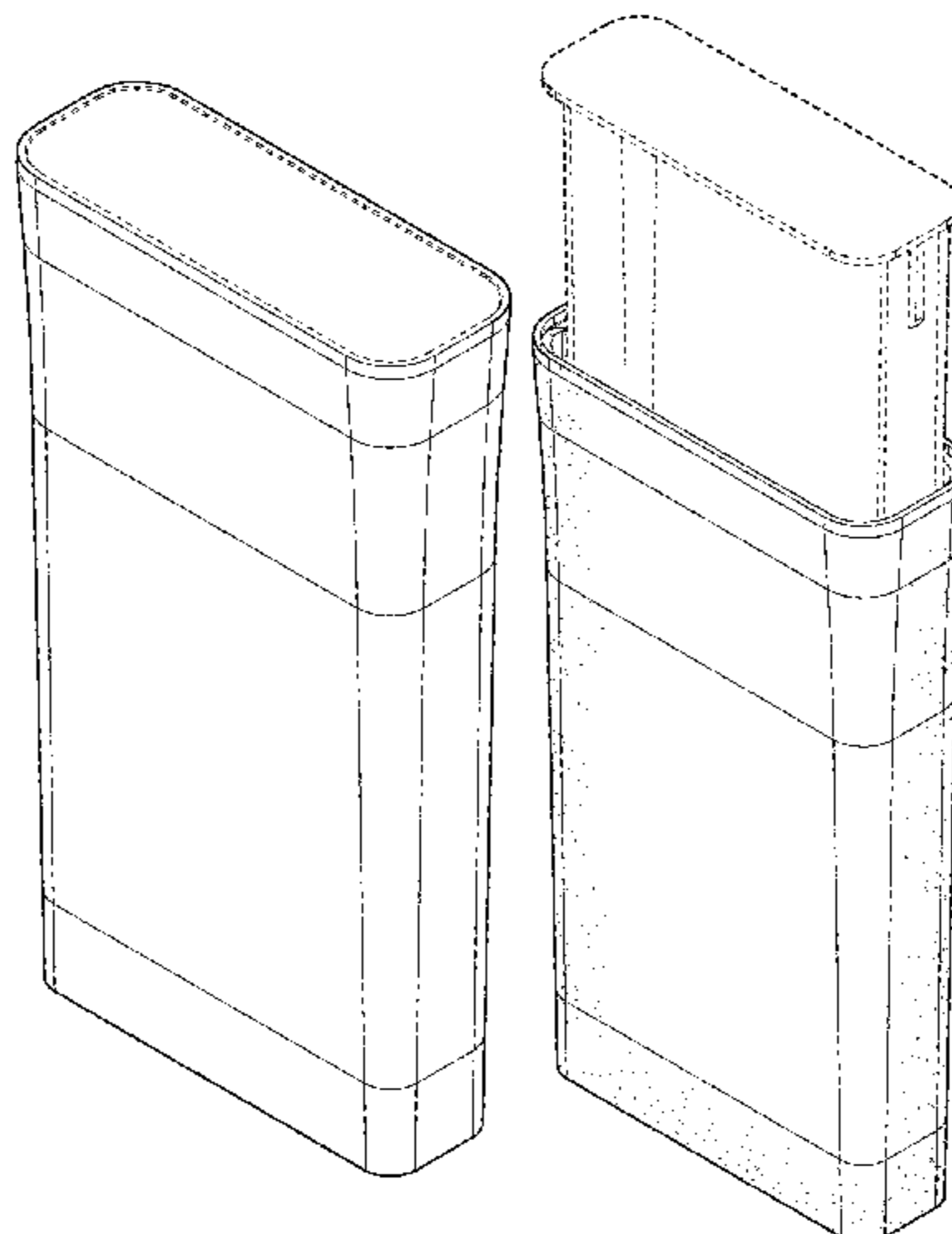
FIG. 14 is a fourth side view of the rolled product container of FIG. 9.

FIG. 15 is a top view of the rolled product container of FIG. 9; and,

FIG. 16 is a bottom view of the rolled product container of FIG. 9.

The broken lines shown represent portions of the rolled product container that form no part of the claimed design.

1 Claim, 8 Drawing Sheets



US D880,292 S

(56)

References Cited

U.S. PATENT DOCUMENTS

<p>1,988,134 A * 1/1935 Nitardy B65D 83/0481 206/534.1</p> <p>2,064,241 A * 12/1936 Batdorf B65D 83/0481 220/351</p> <p>2,295,747 A 9/1942 Mills</p> <p>2,708,026 A 5/1955 Duell</p> <p>3,833,143 A * 9/1974 Starkermann B65D 11/12 220/351</p> <p>3,968,921 A * 7/1976 Jewell B65D 43/164 229/406</p> <p>4,113,098 A * 9/1978 Howard A61J 1/03 206/1.5</p> <p>4,691,456 A * 9/1987 Ackeret B42F 7/14 206/776</p> <p>4,947,989 A 8/1990 Horton</p> <p>D328,710 S * 8/1992 Deflander D9/417</p> <p>5,513,774 A 5/1996 Dominguez</p> <p>D406,921 S 3/1999 Roeder</p> <p>D426,153 S * 6/2000 Sagel D9/422</p> <p>D436,434 S * 1/2001 Conway D3/203.5</p> <p>6,341,693 B2 1/2002 Konno et al.</p> <p>D464,884 S * 10/2002 Sumpmann D9/432</p> <p>6,471,083 B1 * 10/2002 Helms B65D 43/161 220/254.3</p> <p>D465,729 S 11/2002 Nishimura</p> <p>6,484,929 B2 * 11/2002 Sumpmann B65D 5/12 220/258.3</p> <p>6,551,672 B2 4/2003 Hessok et al.</p> <p>D479,462 S 9/2003 Chan</p> <p>6,637,431 B2 * 10/2003 Ekelius A61M 15/0045 128/203.15</p> <p>D484,409 S 12/2003 Haggerty et al.</p> <p>D485,754 S * 1/2004 Fielder D9/416</p> <p>D498,139 S * 11/2004 Haggerty D9/417</p> <p>D507,679 S 7/2005 Ashiwa et al.</p> <p>D507,968 S * 8/2005 Dixon D9/422</p> <p>D510,859 S * 10/2005 Dixon D9/422</p> <p>D510,860 S 10/2005 Dixon et al.</p> <p>D522,866 S 6/2006 Bakic</p> <p>D534,069 S 12/2006 Ohno et al.</p> <p>D546,671 S 7/2007 Cronin et al.</p> <p>D554,502 S * 11/2007 Hoffman D9/432</p> <p>D554,990 S * 11/2007 Terrasi D9/432</p> <p>D565,952 S 4/2008 Mettler et al.</p> <p>D569,720 S * 5/2008 Lablaine D9/420</p> <p>D573,878 S * 7/2008 Rathbone D9/420</p> <p>D595,125 S * 6/2009 Doyle D3/298</p> <p>D606,393 S * 12/2009 Easterbrook D3/203.2</p> <p>D608,193 S * 1/2010 Sanfilippo D9/420</p> <p>D616,753 S * 6/2010 Beam D9/420</p> <p>D620,376 S * 7/2010 Peyser D9/749</p> <p>D624,239 S 9/2010 Breidenbach et al.</p> <p>D624,400 S * 9/2010 Wichowski D9/420</p> <p>D626,005 S 10/2010 Duquet</p>	<p>D628,089 S 11/2010 Ashiwa et al.</p> <p>D644,507 S * 9/2011 Lee B65D 83/04 D9/417</p> <p>D645,244 S 9/2011 Rietjens et al.</p> <p>8,066,121 B2 11/2011 Sack et al.</p> <p>D655,183 S * 3/2012 Pantelleria D9/575</p> <p>D682,355 S * 5/2013 Cohen D19/69</p> <p>D715,156 S 10/2014 Park</p> <p>8,956,066 B2 2/2015 Young et al.</p> <p>D731,309 S 6/2015 Lee et al.</p> <p>D732,893 S 6/2015 Bronwasser et al.</p> <p>D735,946 S 8/2015 Ko</p> <p>D737,149 S 8/2015 Son</p> <p>D739,551 S * 9/2015 Castaing D24/222</p> <p>D741,703 S 10/2015 Janson et al.</p> <p>D749,943 S * 2/2016 Mitten D9/423</p> <p>D752,970 S * 4/2016 Giraud D9/420</p> <p>D786,668 S * 5/2017 Cornaglia D9/418</p> <p>D799,328 S 10/2017 Puigbo</p> <p>D808,791 S * 1/2018 Johnston D9/420</p> <p>D815,519 S * 4/2018 Geheran D9/423</p> <p>D818,195 S * 5/2018 Burger D27/186</p> <p>D819,439 S * 6/2018 Young D9/420</p> <p>D827,426 S * 9/2018 Blagojevic D9/424</p> <p>D827,450 S 9/2018 Loukov</p> <p>D828,113 S 9/2018 Fleischhut</p> <p>D828,164 S 9/2018 Kim</p> <p>D846,380 S * 4/2019 Giraud D9/420</p> <p>D848,417 S * 5/2019 Shim D14/356</p> <p>D849,539 S * 5/2019 Watson D9/456</p> <p>D852,616 S * 7/2019 Thesing D9/423</p> <p>2003/0159965 A1 * 8/2003 Baker B65D 47/0861 206/540</p> <p>2004/0055903 A1 3/2004 Nishimura</p> <p>2004/0217116 A1 * 11/2004 Offerman B65D 43/12 220/345.2</p> <p>2005/0263539 A1 12/2005 Haggerty et al.</p> <p>2006/0037484 A1 2/2006 Dixon et al.</p> <p>2007/0164032 A1 7/2007 Cronin et al.</p> <p>2007/0289985 A1 12/2007 Bieger et al.</p> <p>2009/0223989 A1 9/2009 Gelardi</p> <p>2010/0012534 A1 1/2010 Hoffman</p> <p>2010/0072206 A1 3/2010 Doyle</p> <p>2011/0000814 A1 1/2011 Lee et al.</p> <p>2011/0168712 A1 7/2011 Bailey et al.</p> <p>2011/0233076 A1 * 9/2011 Potterfield B65D 21/0219 206/3</p> <p>2013/0126379 A1 5/2013 Medhal et al.</p> <p>2014/0027341 A1 1/2014 Ludwig et al.</p> <p>2014/0203035 A1 7/2014 Giraud</p> <p>2015/0021216 A1 * 1/2015 Blagojevic B65D 53/00 206/223</p> <p>2015/0048088 A1 * 2/2015 Giraud B65D 83/0427 220/315</p> <p>2016/0023816 A1 * 1/2016 Giraud B65D 43/16 220/263</p> <p>2017/0073130 A1 * 3/2017 Giraud B65D 50/066</p>
---	---

* cited by examiner

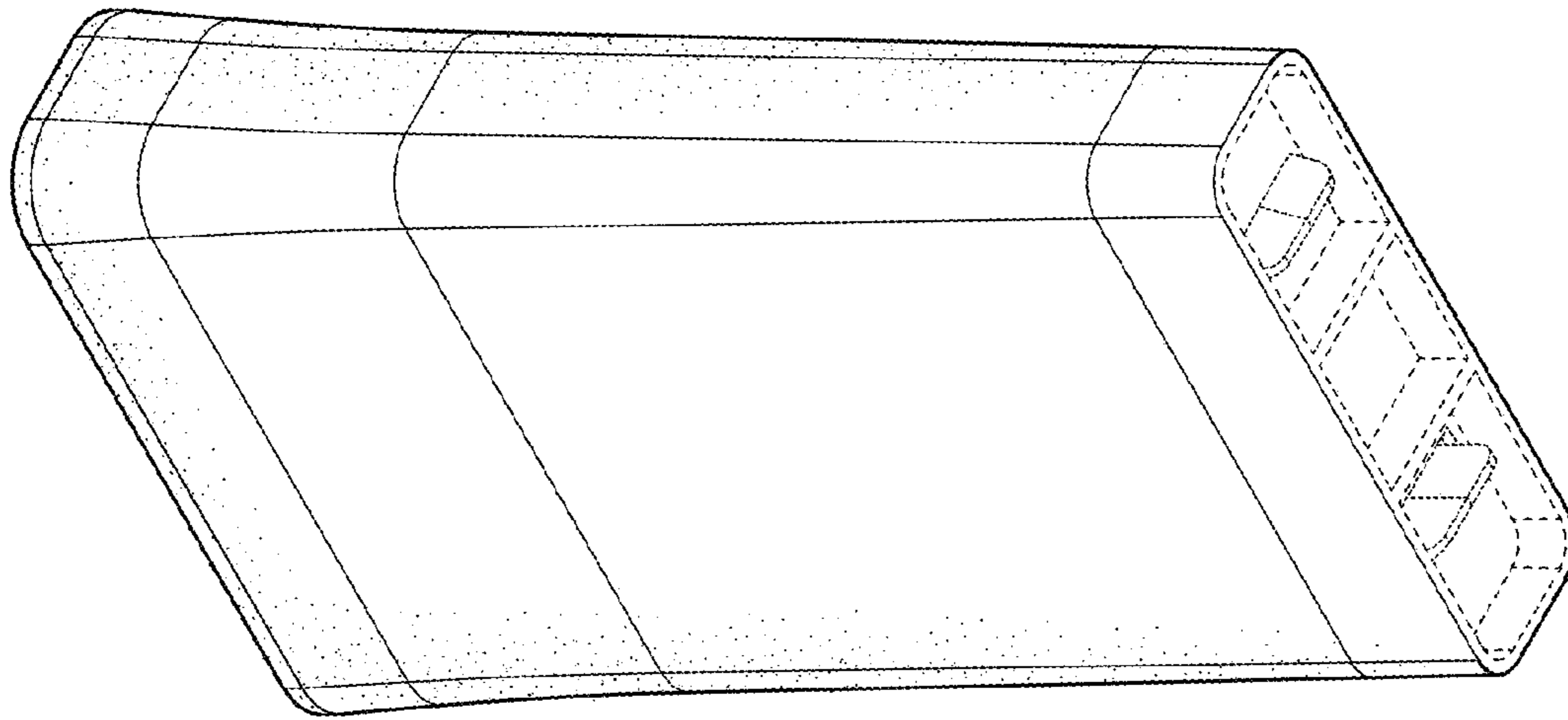


FIG. 2

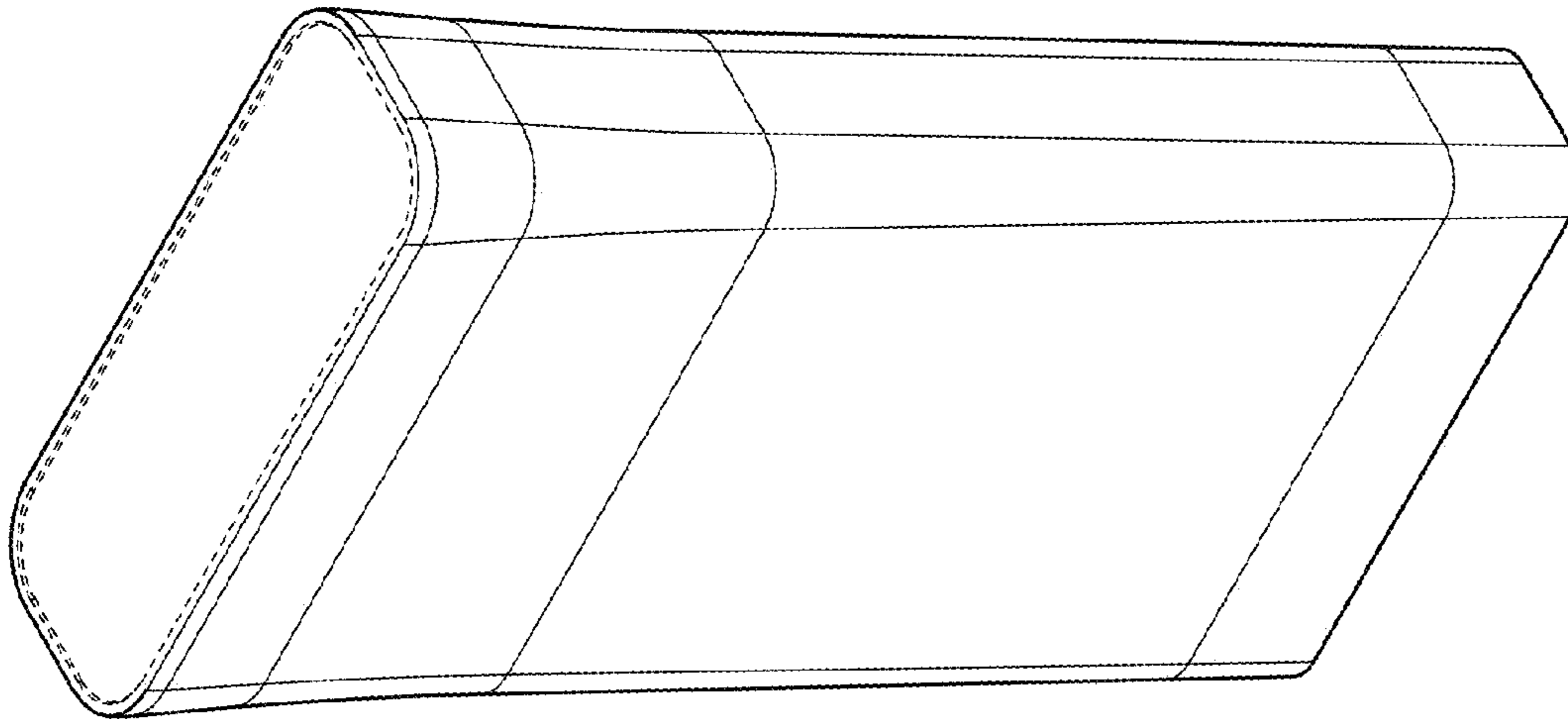


FIG. 1

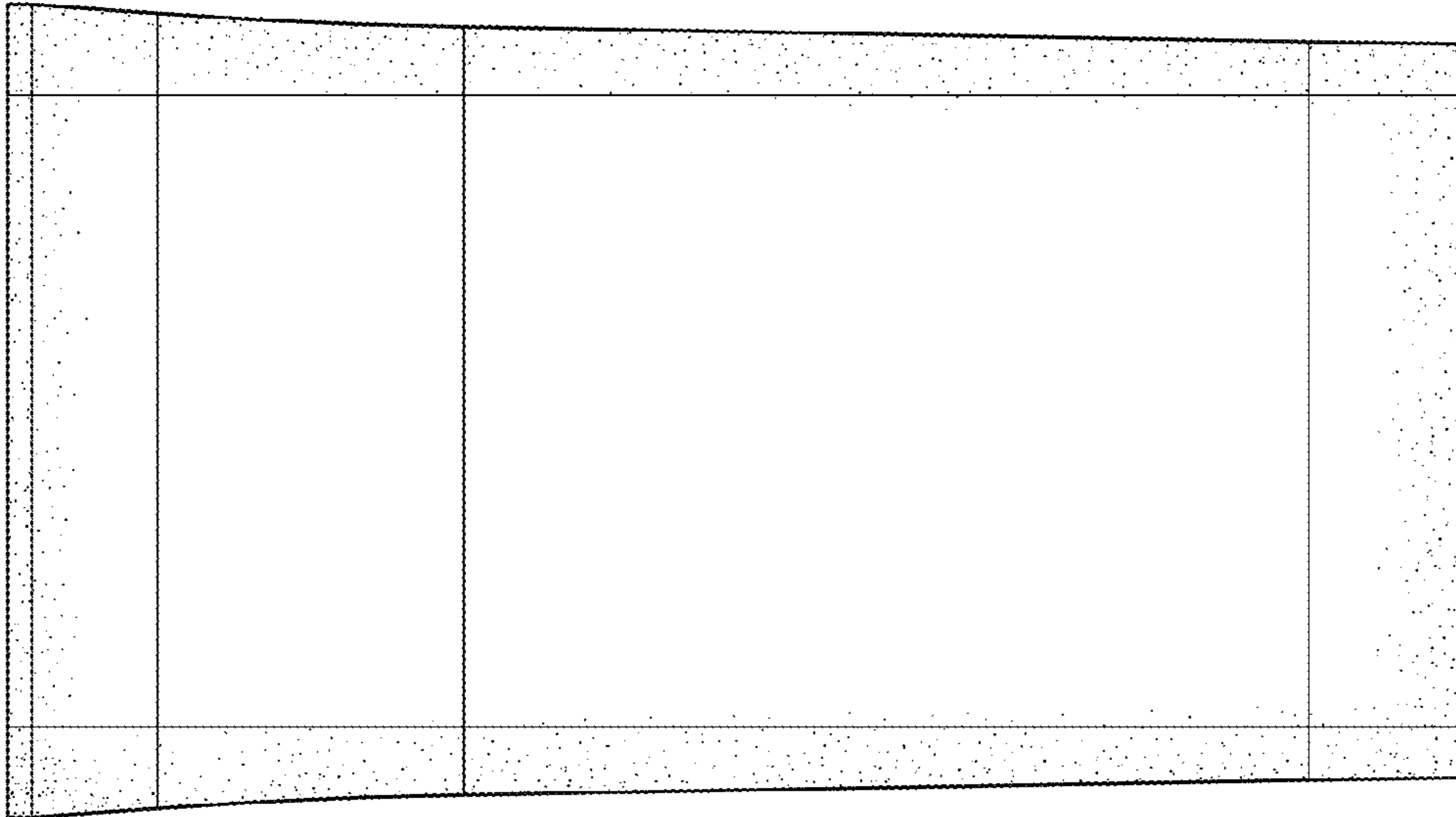


FIG.4

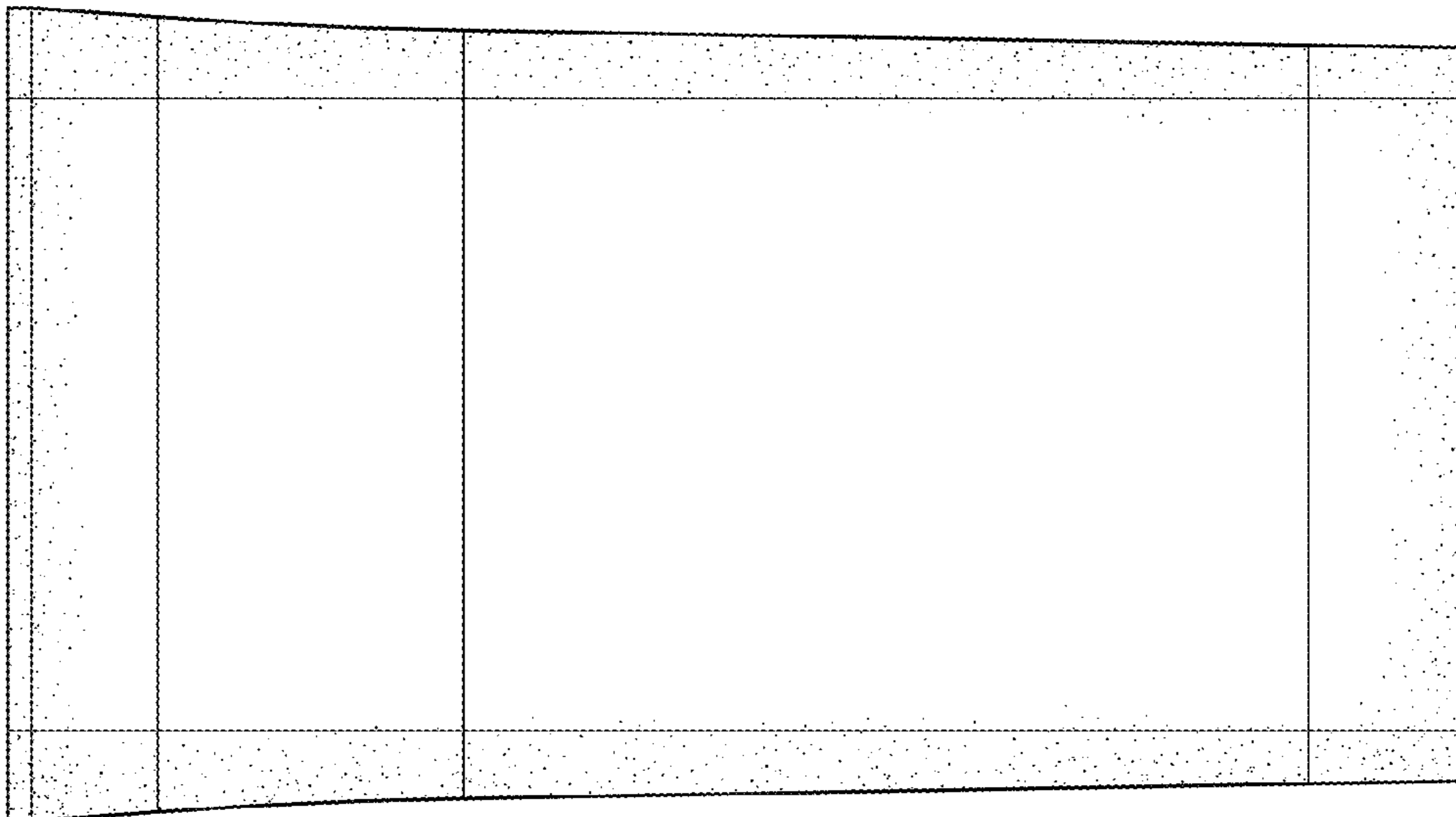


FIG.3

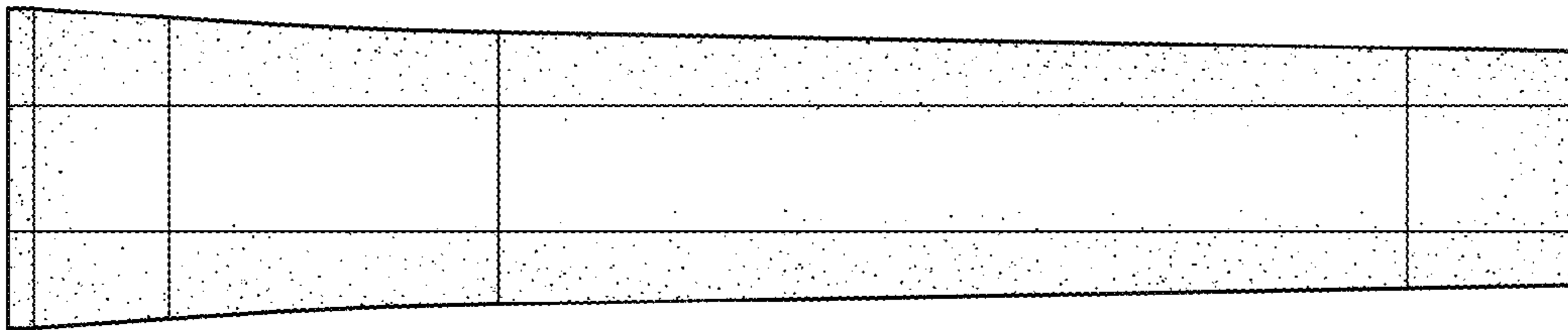


FIG. 6

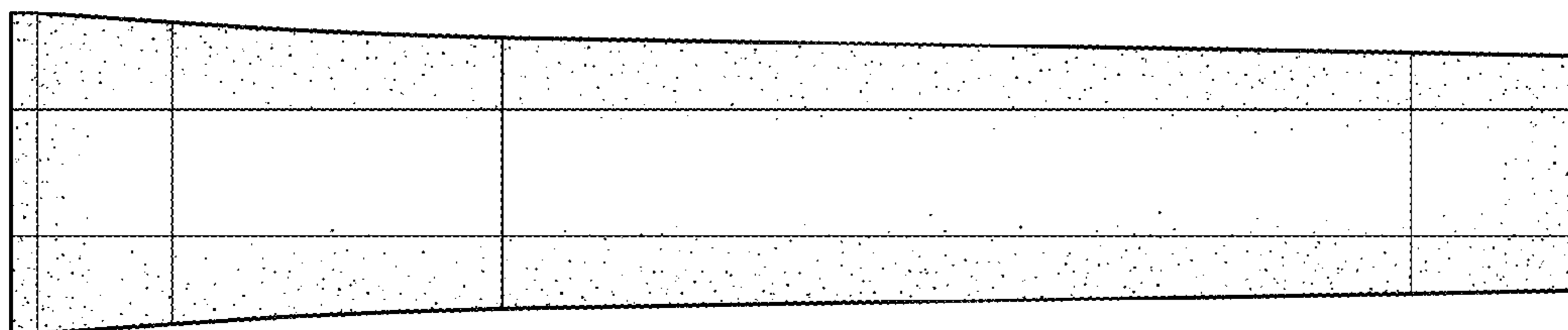


FIG. 5

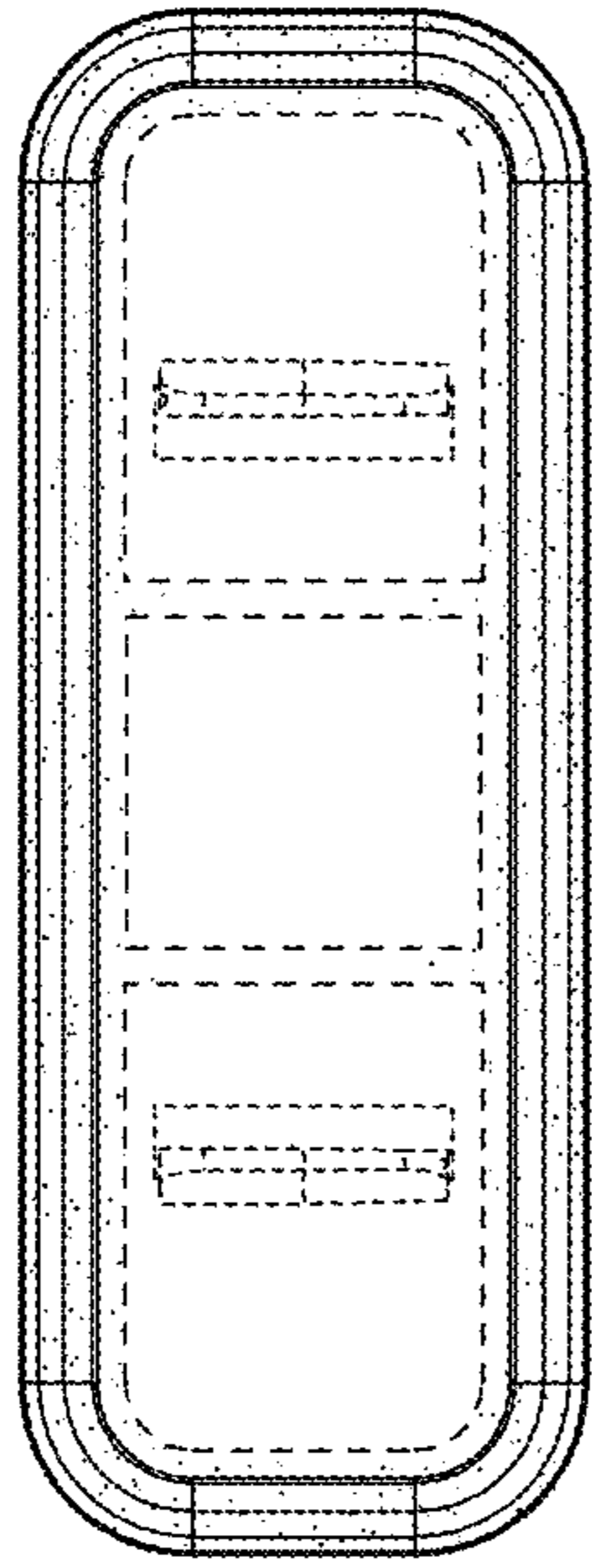


FIG. 8

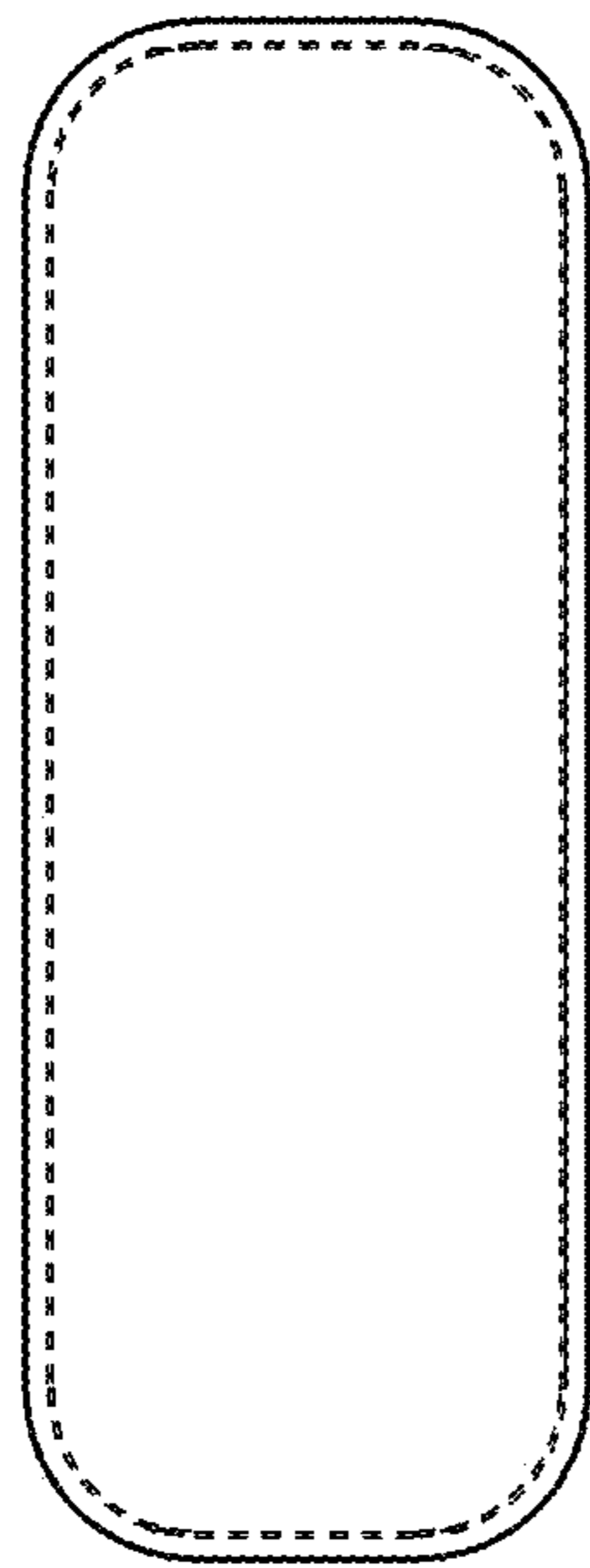


FIG. 7

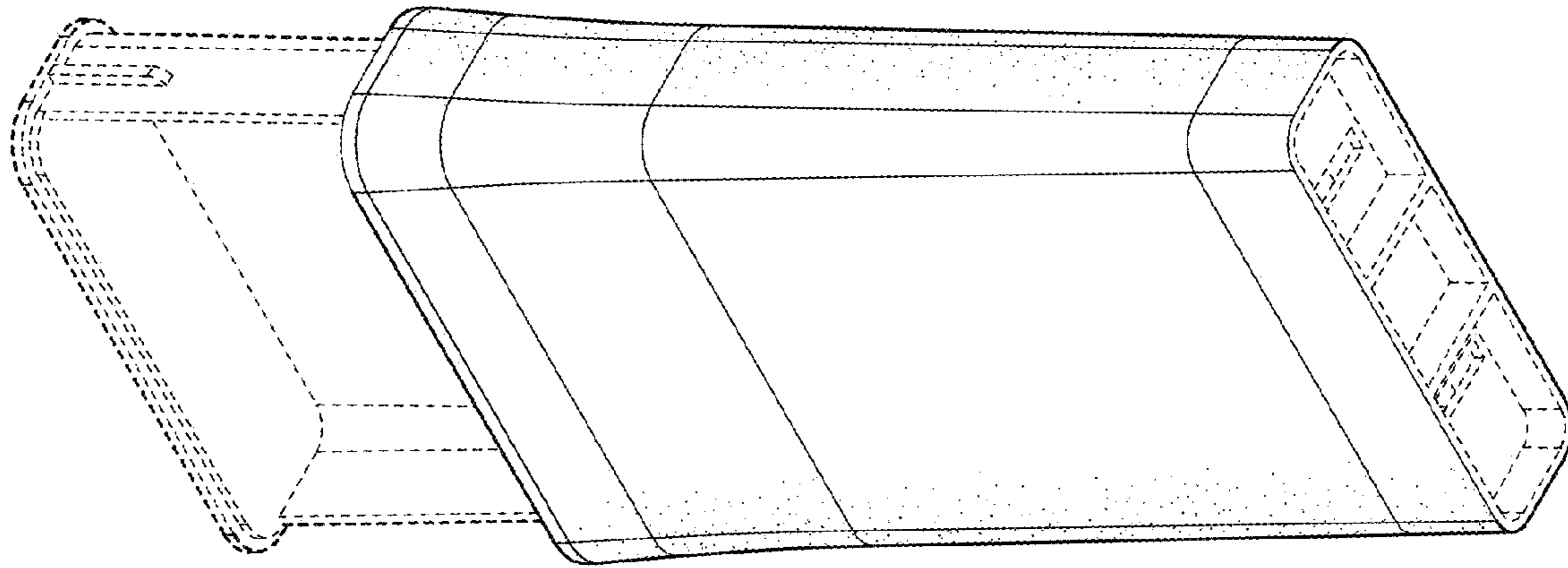


FIG. 10

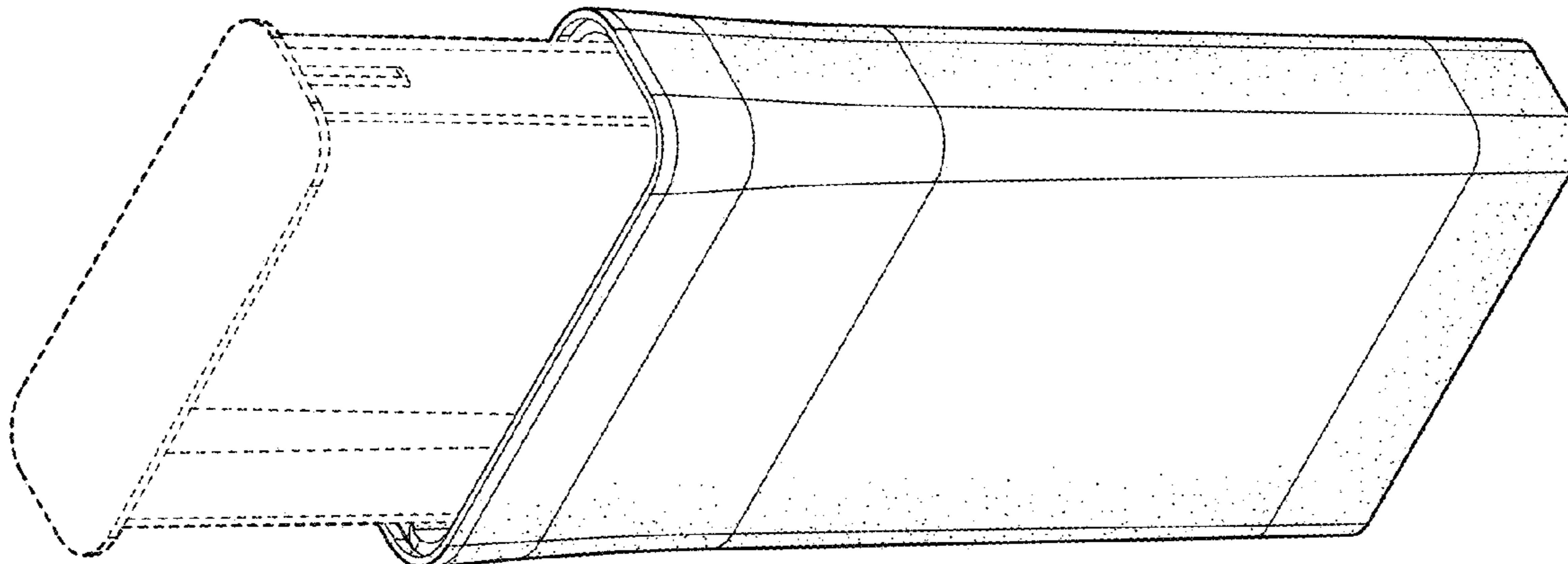


FIG. 9

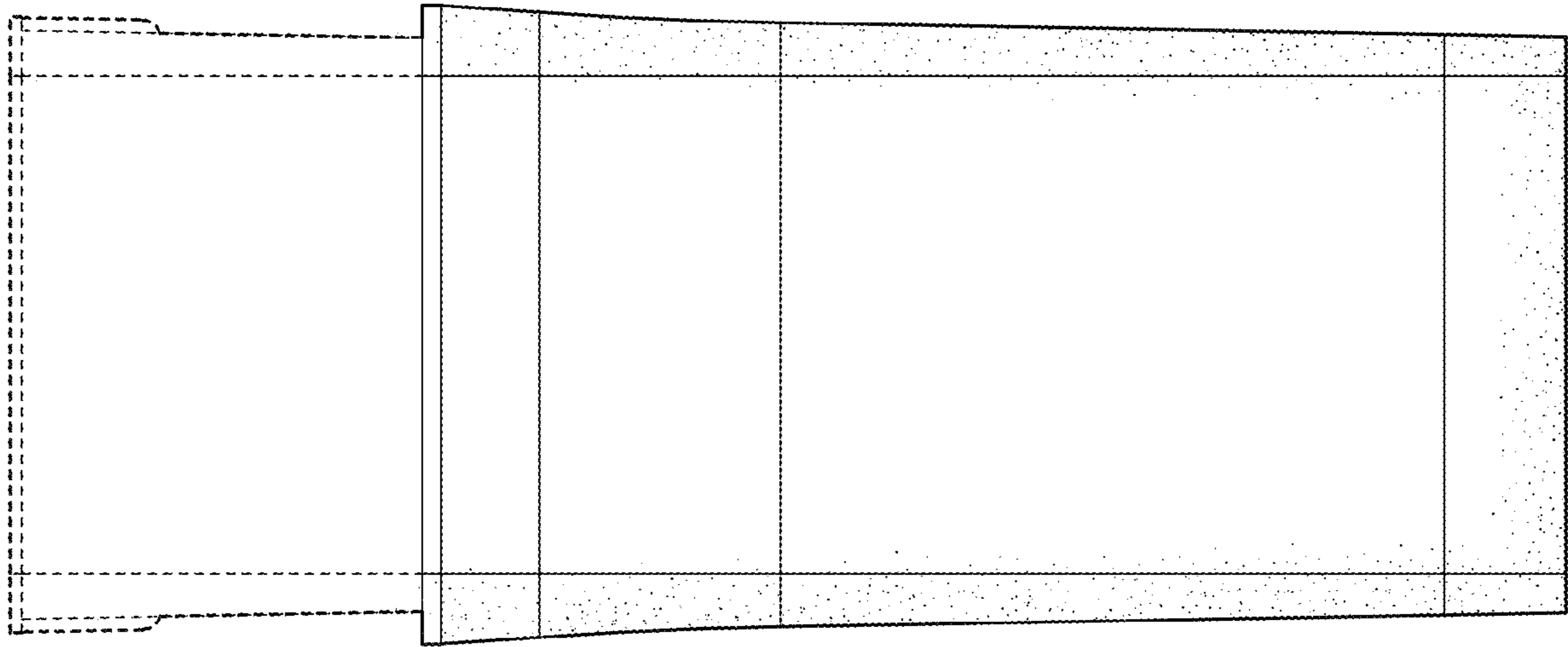


FIG. 12

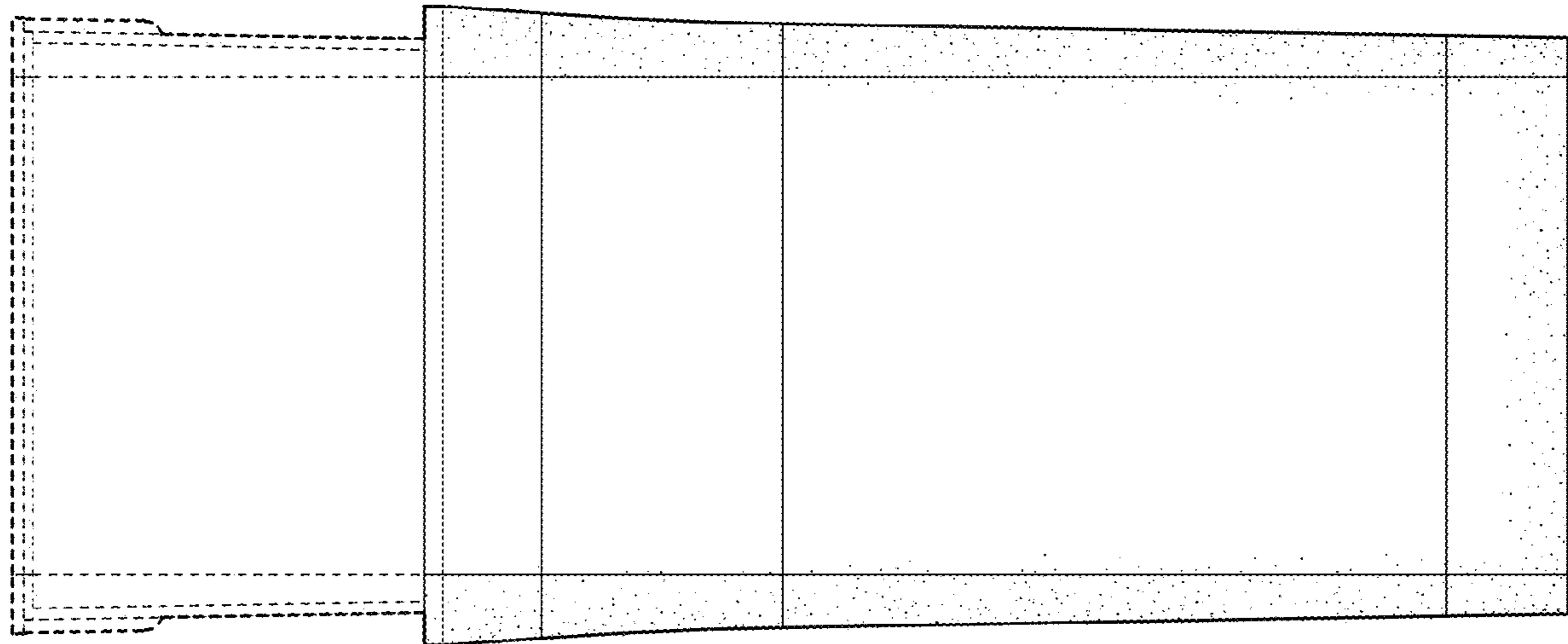


FIG. 11

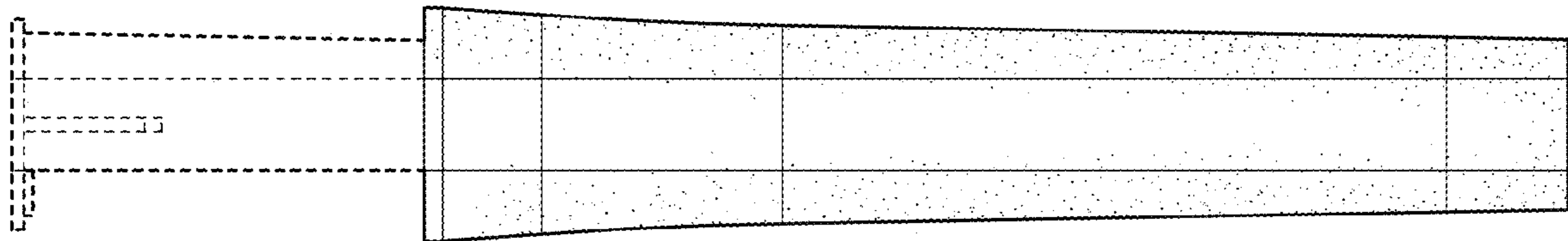


FIG. 14

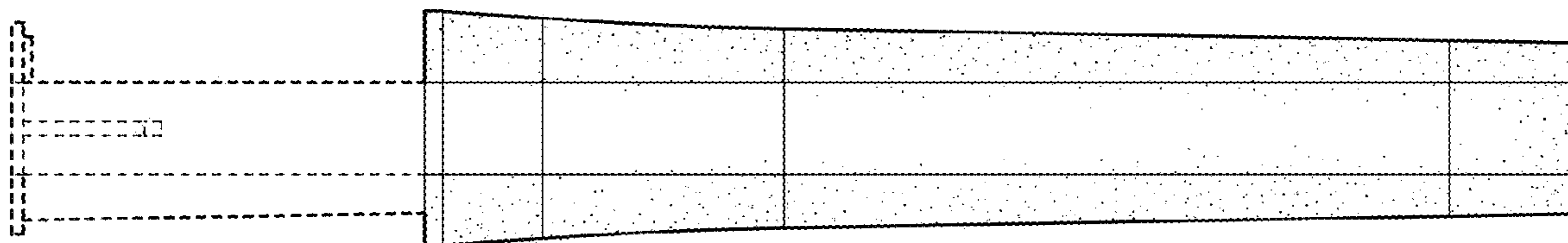


FIG. 13

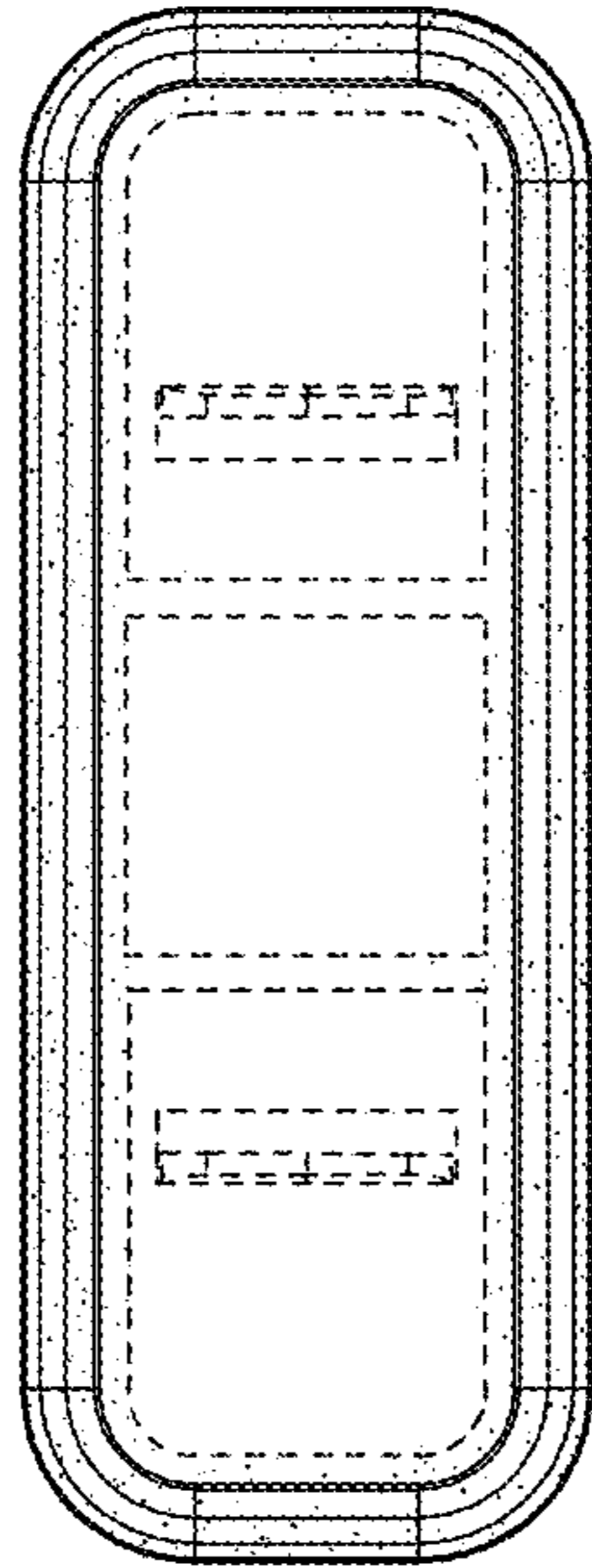


FIG.16

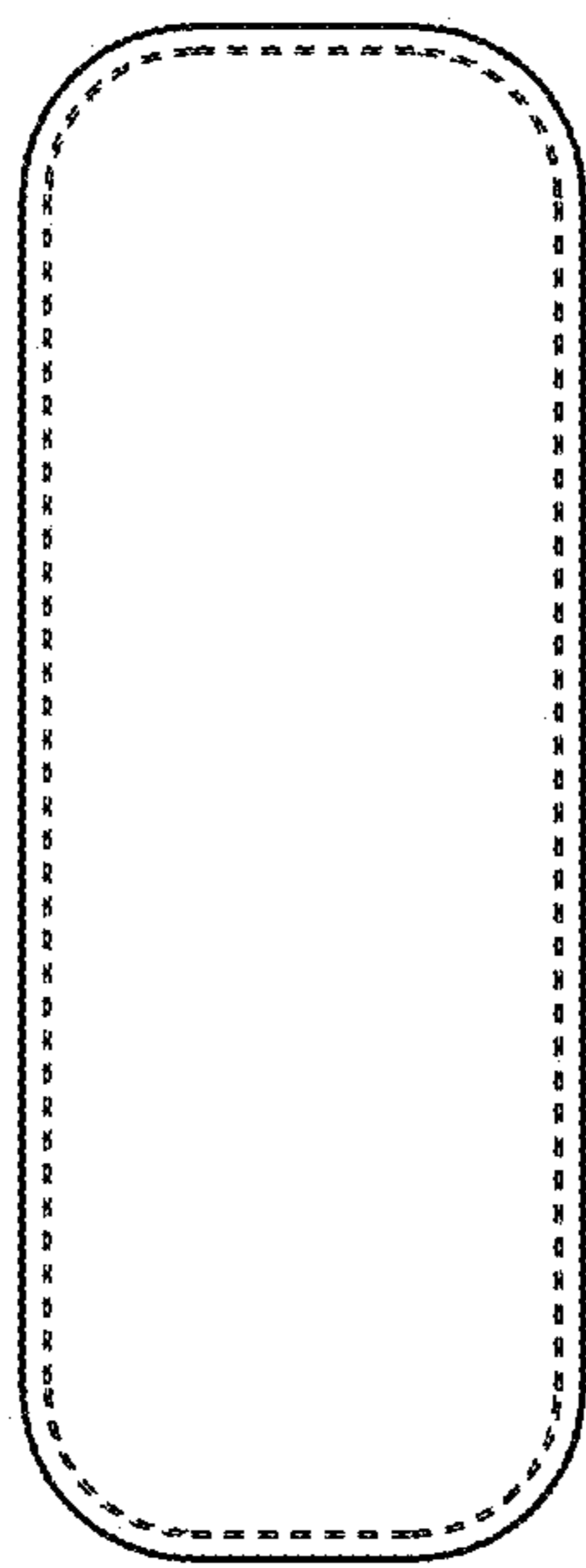


FIG.15