



US00D880290S

(12) **United States Design Patent**
Yeager

(10) **Patent No.:** **US D880,290 S**

(45) **Date of Patent:** **** Apr. 7, 2020**

(54) **POURABLE PRODUCT CONTAINER**

(71) Applicant: **Northwestern University**, Evanston, IL (US)

(72) Inventor: **Loren Elizabeth Yeager**, Winnetka, IL (US)

(73) Assignee: **Northwestern University**, Evanston, IL (US)

(**) Term: **15 Years**

(21) Appl. No.: **29/660,761**

(22) Filed: **Aug. 22, 2018**

(51) **LOC (12) Cl.** **09-03**

(52) **U.S. Cl.**
USPC **D9/417; D7/313**

(58) **Field of Classification Search**
USPC D9/414–434, 439–440; D7/300, 306, D7/313, 322

See application file for complete search history.

(56) **References Cited**

U.S. PATENT DOCUMENTS

120,259 A	10/1871	Gee	
1,945,797 A	2/1934	Bach et al.	
D249,701 S *	9/1978	Maples	D7/313
D331,683 S *	12/1992	Koester	D9/432
D403,916 S *	1/1999	Le	B65D 77/068
			D7/313
D403,917 S *	1/1999	Le	D7/322
5,950,857 A *	9/1999	Rosen	A47G 19/2272
			220/23.83
D415,383 S *	10/1999	Le	D7/306
D447,686 S *	9/2001	Cattell	B65D 77/067
			D9/417
D502,360 S *	3/2005	Kautz	D9/447
D690,203 S	9/2013	Hall et al.	

8,651,365 B2 *	2/2014	Lymn	B65D 77/067
			220/212.5
D713,193 S *	9/2014	English	D7/306
D785,448 S *	5/2017	Wolf	A47G 19/2272
			D9/414
9,758,285 B2 *	9/2017	Brooks	B65D 77/068
D808,703 S *	1/2018	Saadeh	D7/306
D830,789 S *	10/2018	Brooks	D9/418
10,118,751 B2 *	11/2018	Couvillon	B65D 77/065

* cited by examiner

Primary Examiner — Sandra L Morris

(74) *Attorney, Agent, or Firm* — Banner & Witcoff, Ltd.

(57) **CLAIM**

The ornamental design for a “pourable product container”, substantially as shown and described.

DESCRIPTION

FIG. 1 is a perspective view of a pourable product container. FIG. 2 is a first side view of the pourable product container of FIG. 1.

FIG. 3 is a second side view of the pourable product container of FIG. 1.

FIG. 4 is a rear view of the pourable product container of FIG. 1.

FIG. 5 is a front view of the pourable product container of FIG. 1.

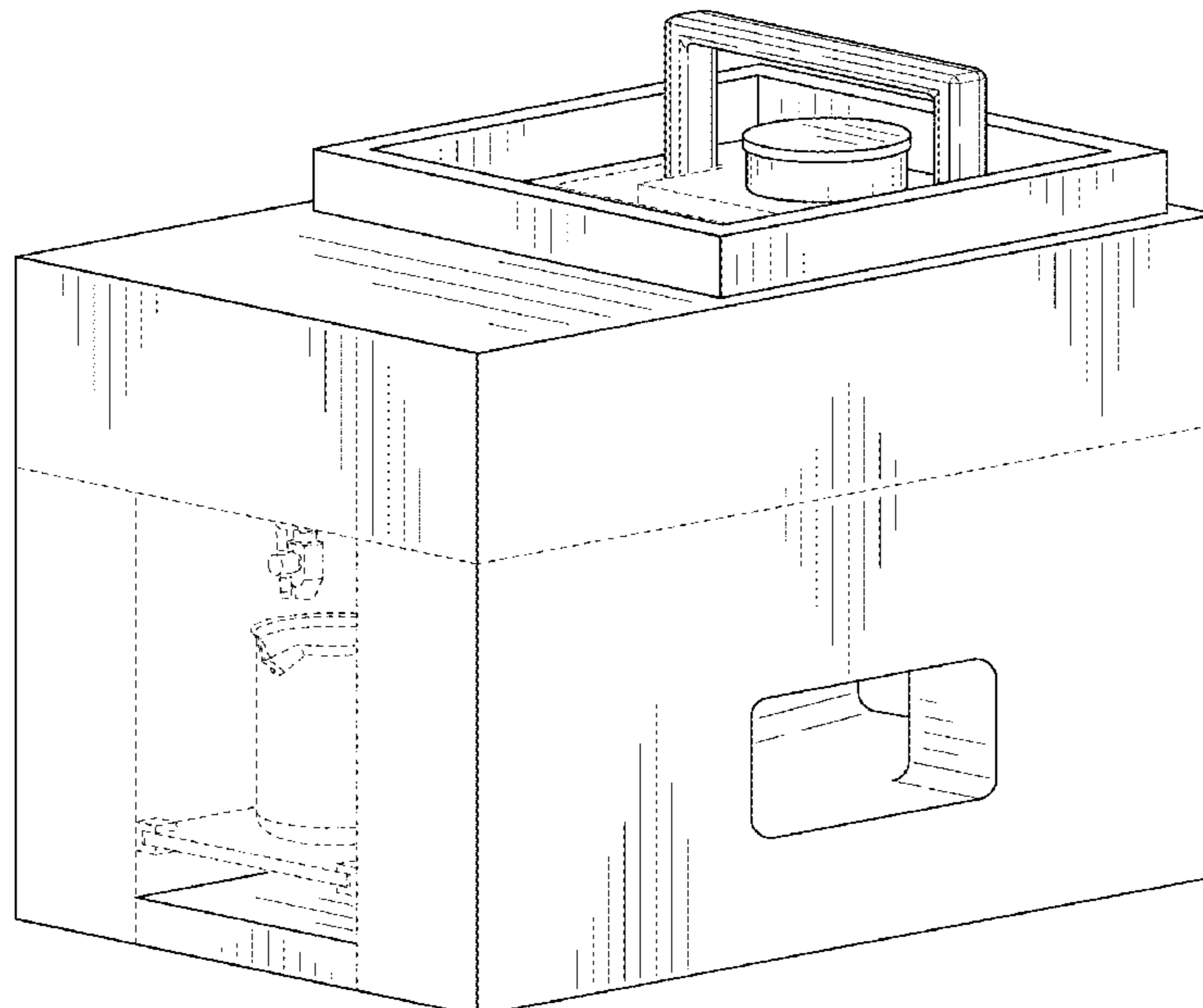
FIG. 6 is a top view of the pourable product container of FIG. 1.

FIG. 7 is a bottom view of the pourable product container of FIG. 1; and,

FIG. 8 is a sectional view of the pourable product container of FIG. 1 showing a portion of an interior of the pourable product container.

The broken lines immediately adjacent to the shaded area define the bounds of the claimed design and form no part thereof.

1 Claim, 8 Drawing Sheets



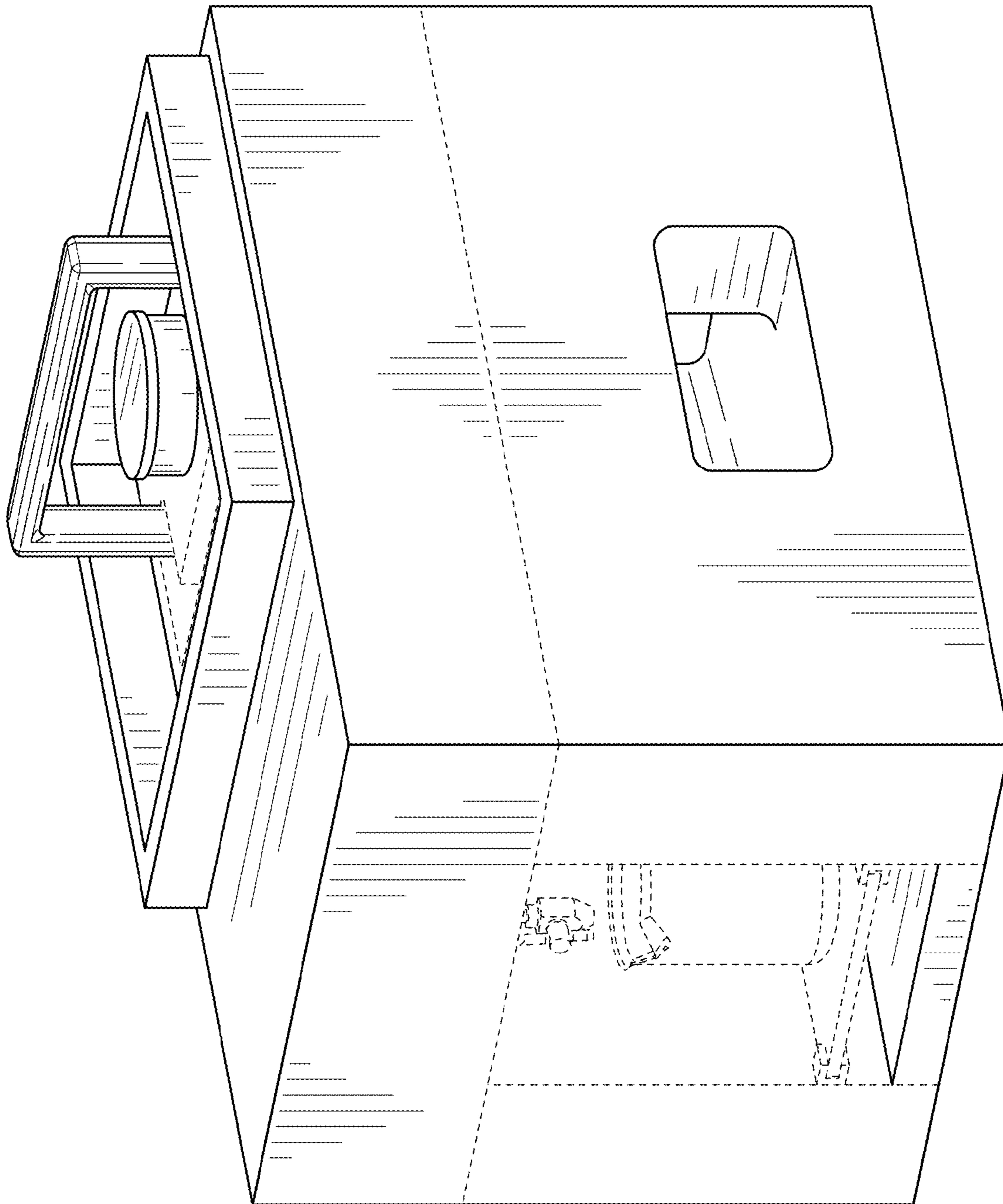


FIG. 1

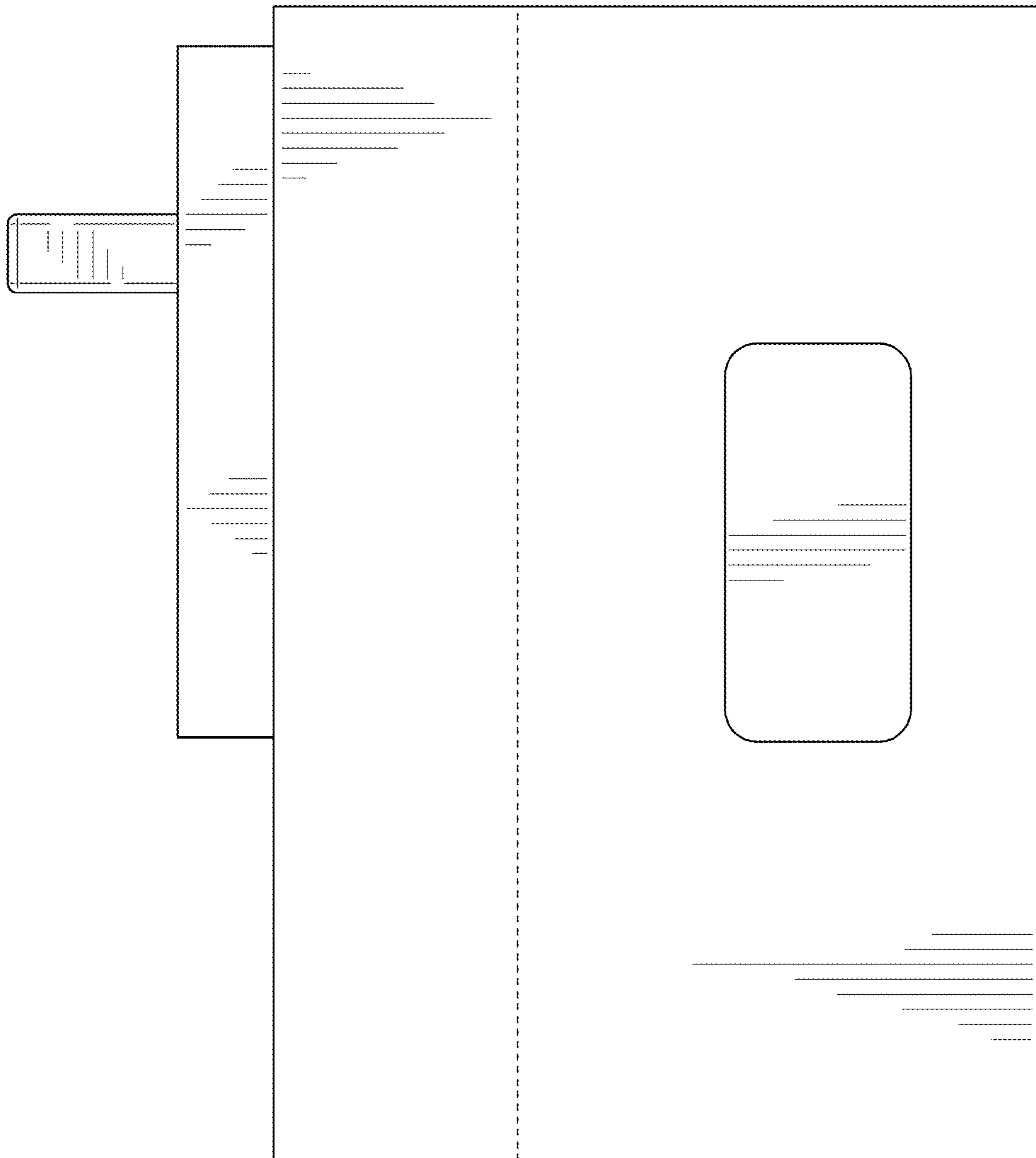


FIG. 2

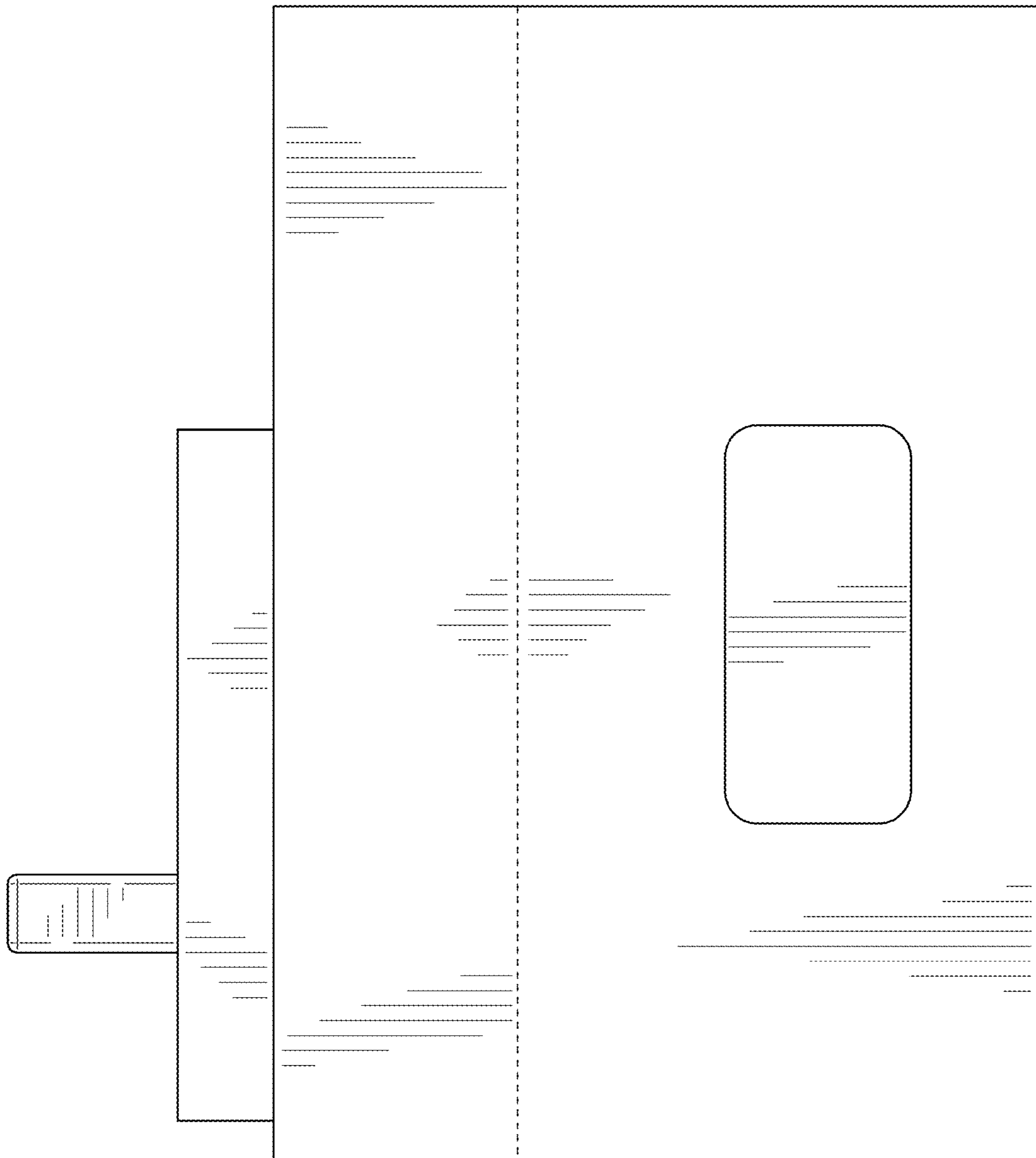


FIG. 3

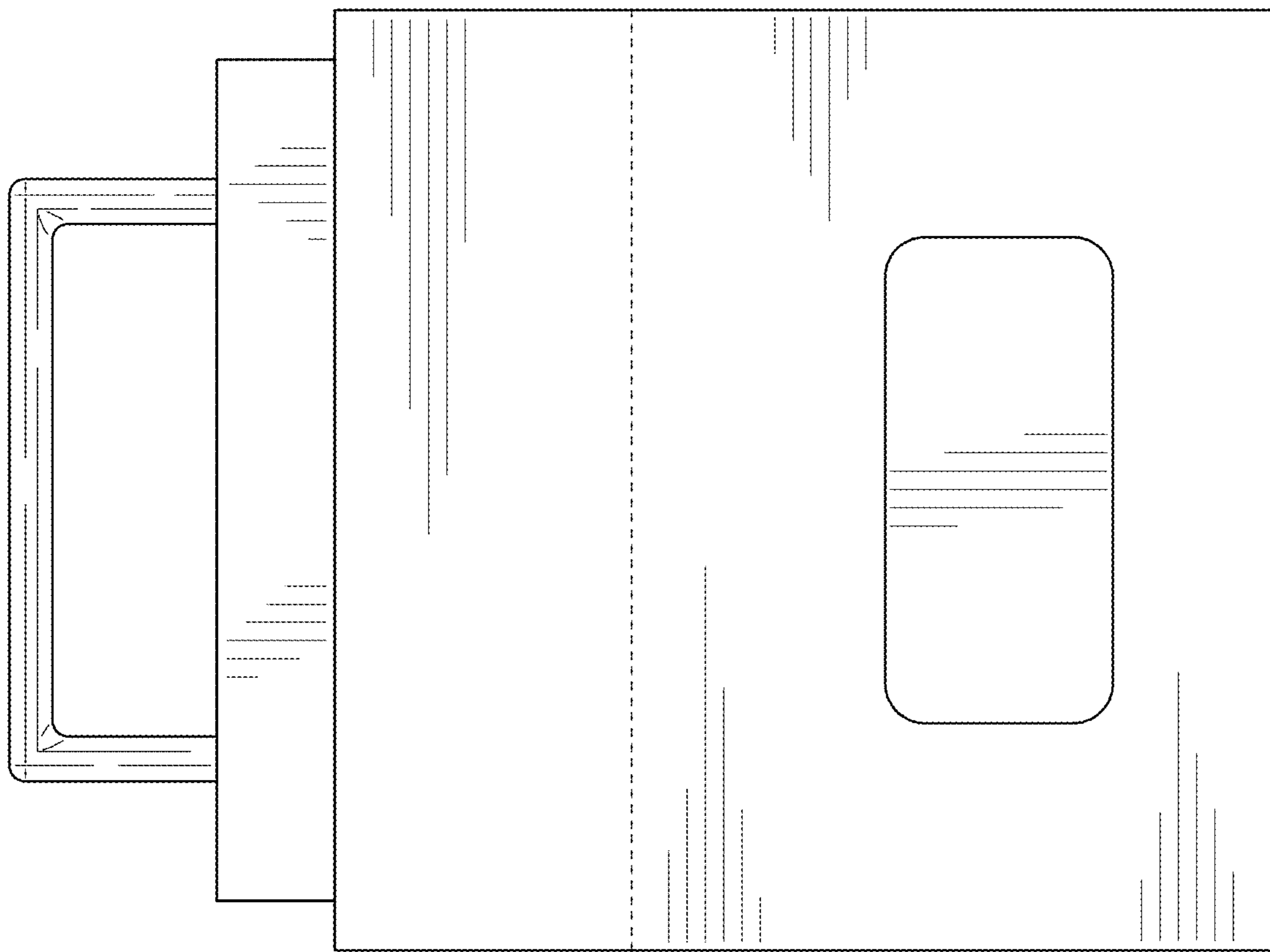


FIG. 4

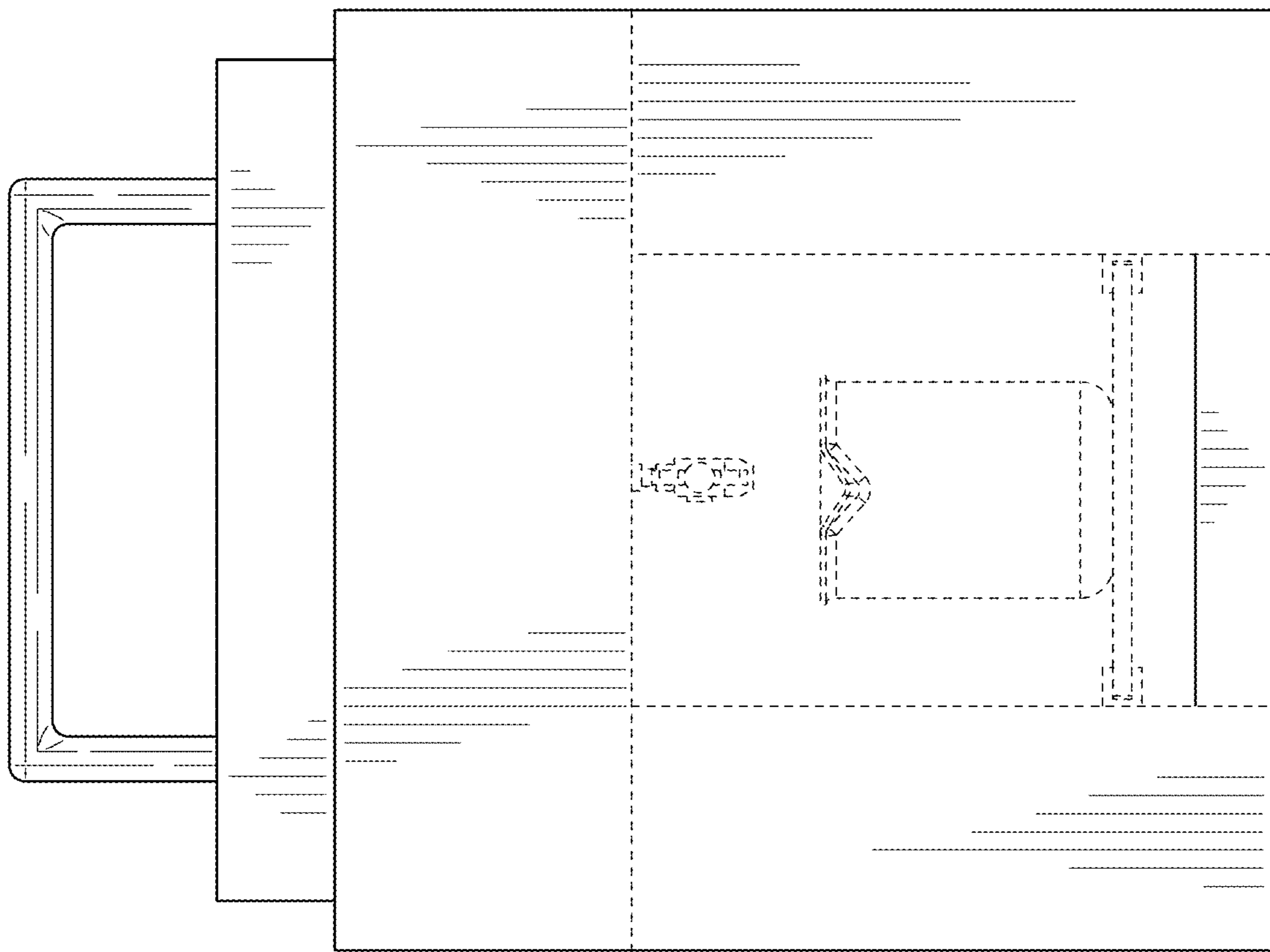


FIG. 5

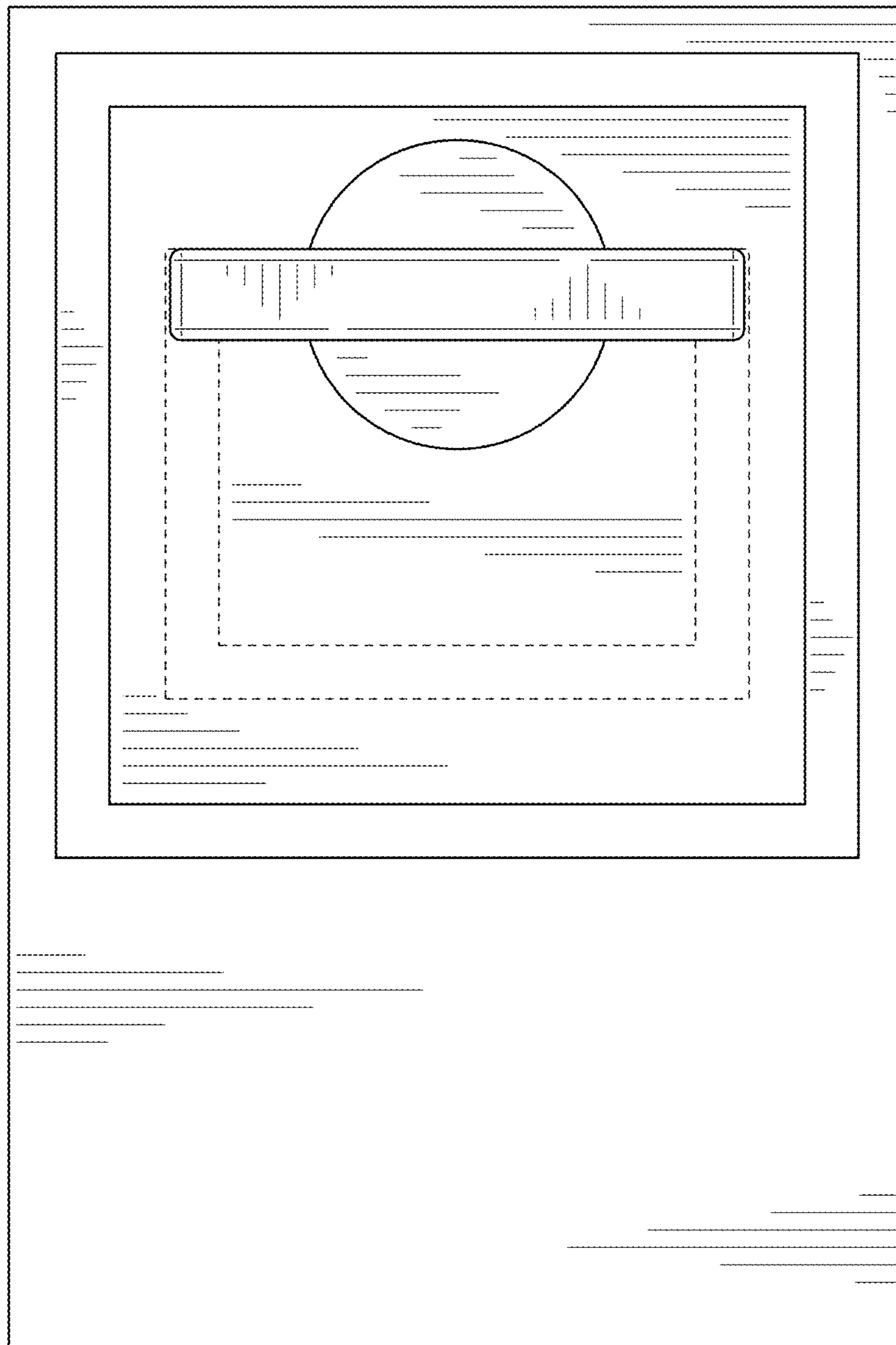


FIG. 6

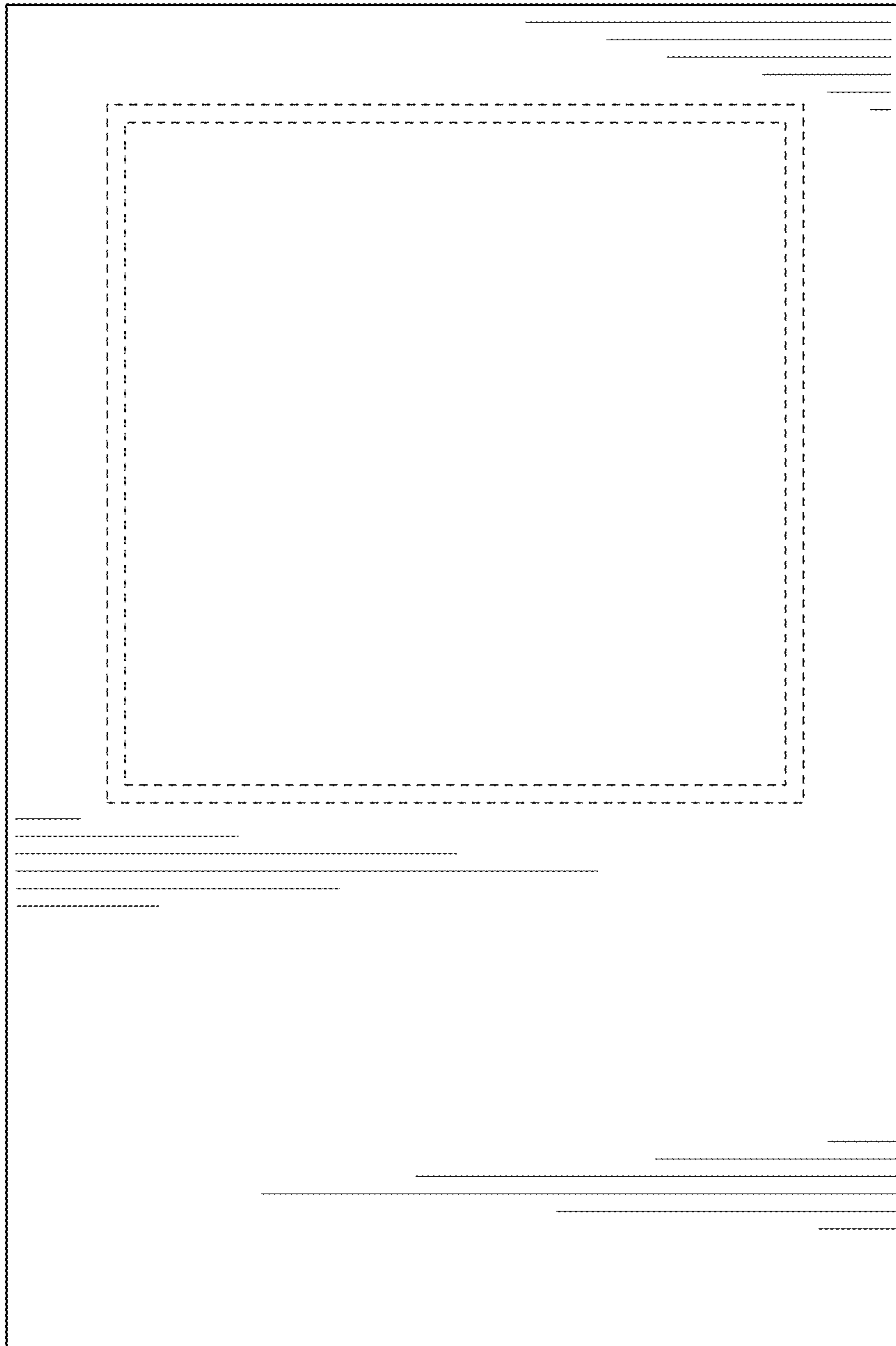


FIG. 7

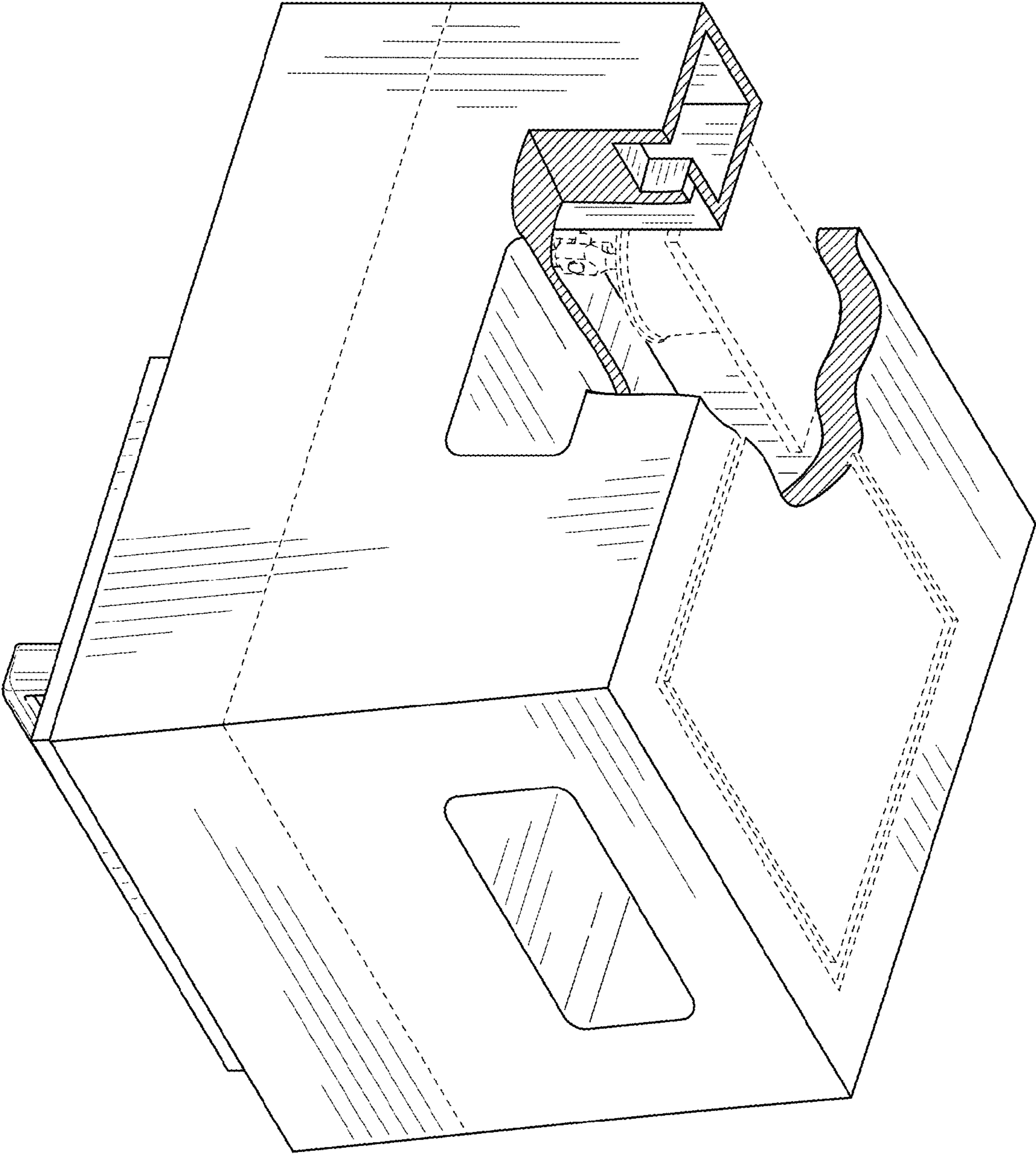


FIG. 8