



US00D880289S

(12) **United States Design Patent** (10) **Patent No.:** **US D880,289 S**  
**Valsecchi** (45) **Date of Patent:** **\*\* Apr. 7, 2020**

- (54) **SINGLE-SERVE BEVERAGE CAPSULE**
- (71) Applicant: **GRUPPO GIMOKA S.r.l.**, Trezzano sul Naviglio (IT)
- (72) Inventor: **Massimiliano Valsecchi**, Trezzano sul Naviglio (IT)
- (73) Assignee: **GRUPPO GIMOKA S.r.l.**, Trezzano sul Naviglio (IT)
- (\*\*) Term: **15 Years**
- (21) Appl. No.: **29/703,644**
- (22) Filed: **Aug. 28, 2019**

**Related U.S. Application Data**

- (62) Division of application No. 29/621,941, filed on Oct. 12, 2017, now Pat. No. Des. 864,707.

**Foreign Application Priority Data**

- Apr. 12, 2017 (EM) ..... 003854371
- (51) **LOC (12) Cl.** ..... **09-03**
- (52) **U.S. Cl.**  
USPC ..... **D9/416**
- (58) **Field of Classification Search**  
USPC ..... D9/414, 416, 418, 424, 427, 428, 429, D9/434, 440, 696, 733; D7/300, 309, D7/397, 399, 400, 554.2  
CPC ..... B65D 85/808; B65D 85/816; B65D 85/8043; B65D 85/8046; B65D 83/00; B65D 83/04; B65D 83/0481; B65D 81/30; B65D 81/34; B65D 81/60; B65D 81/3415; B65D 81/3446; A47J 31/00; A47J 31/06; A47J 31/10; A47J 31/36; A47J 31/40; A47J 31/44; A47J 31/3628; A47J 31/3633; A47J 31/3642  
See application file for complete search history.

(56) **References Cited**

U.S. PATENT DOCUMENTS

D474,110 S *	5/2003	Sweeney .....	D9/425
D506,926 S *	7/2005	Halliday .....	D9/416
D539,643 S *	4/2007	Abel .....	D9/414
D591,590 S *	5/2009	Wilson .....	D9/428
D606,363 S *	12/2009	Aardenburg .....	D7/400
D647,398 S *	10/2011	Winkler .....	D9/417
D647,399 S *	10/2011	Winkler .....	D9/417
D697,801 S *	1/2014	Rapparini .....	D9/428
D703,035 S *	4/2014	Zanetti .....	D9/416
D715,649 S *	10/2014	O'Brien .....	D9/500
D733,554 S *	7/2015	Rubinstein .....	D9/416
D745,386 S *	12/2015	Covey .....	D9/416
D747,187 S *	1/2016	Cochran .....	D9/416
D753,480 S *	4/2016	Paton .....	D9/416
D774,888 S *	12/2016	Gerber .....	D9/416
D788,577 S *	6/2017	Schaude .....	D9/416
D797,502 S *	9/2017	Robotti .....	D7/400

(Continued)

*Primary Examiner* — Wan Laymon

*Assistant Examiner* — Clint A Samuel

(74) *Attorney, Agent, or Firm* — McCarter & English, LLP

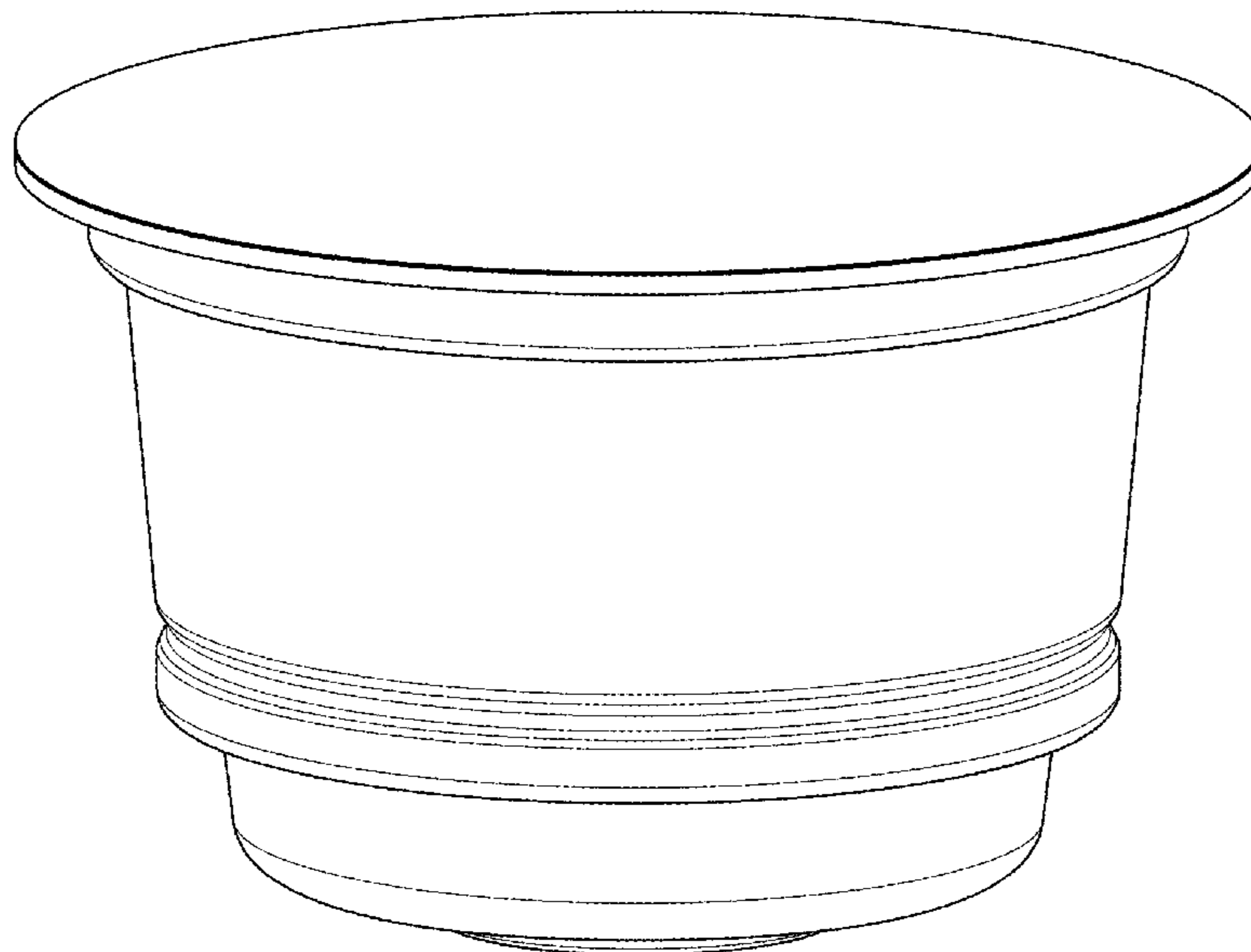
(57) **CLAIM**

The ornamental design for a single-serve beverage capsule, as shown and described.

**DESCRIPTION**

FIG. 1 is a top perspective view of a single-serve beverage capsule according to the present invention;  
 FIG. 2 is a bottom perspective view of a single-serve beverage capsule according to the present invention;  
 FIG. 3 is a lateral view of a single-serve beverage capsule according to the present invention  
 FIG. 4 is a top view of a single-serve beverage capsule according to the present invention; and,  
 FIG. 5 is a bottom view of a single-serve beverage capsule according to the present invention.

**1 Claim, 5 Drawing Sheets**



(56)

**References Cited**

U.S. PATENT DOCUMENTS

D797,503	S *	9/2017	Robotti .....	D7/400
D798,718	S *	10/2017	Foster .....	D9/500
D815,925	S *	4/2018	Rapparini .....	D9/500
D823,051	S *	7/2018	Sharma .....	D9/503
D826,053	S *	8/2018	Schaling .....	D9/503
D850,251	S *	6/2019	Lin .....	D9/428
D854,411	S *	7/2019	Temple, Jr. ....	D9/428
D854,926	S *	7/2019	Tung .....	D9/428
10,336,498	B2 *	7/2019	Foster .....	B65D 21/0209
D860,777	S *	9/2019	Giovanni .....	D9/416
D864,707	S *	10/2019	Valsecchi .....	D9/416
2014/0227414	A1 *	8/2014	Perentes .....	A47J 31/22 426/431
2017/0142995	A1 *	5/2017	Yoakim .....	A47J 31/22
2017/0327308	A1 *	11/2017	Valsecchi .....	B65D 85/8043
2018/0093821	A1 *	4/2018	Cabilli .....	B65D 65/466
2018/0303275	A1 *	10/2018	Ergican .....	A23L 2/395
2018/0362249	A1 *	12/2018	Stefanoni .....	B65D 85/8043
2019/0100376	A1 *	4/2019	Rondelli .....	B65D 85/8043
2019/0322438	A1 *	10/2019	Talon .....	A47J 31/369
2019/0329969	A1 *	10/2019	Borse .....	B65D 85/8043
2019/0337713	A1 *	11/2019	Ergican .....	A47J 31/407

\* cited by examiner

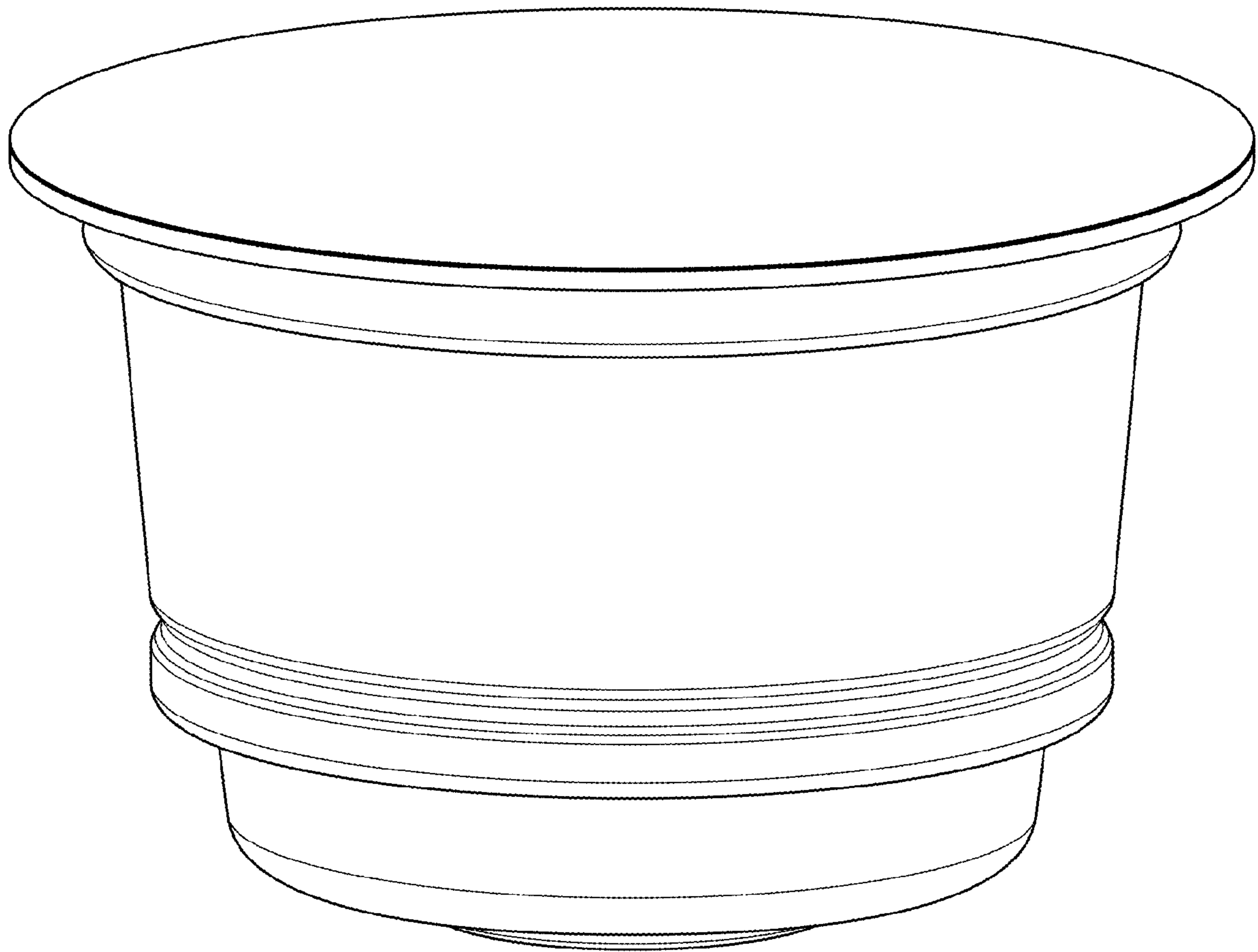


FIG. 1

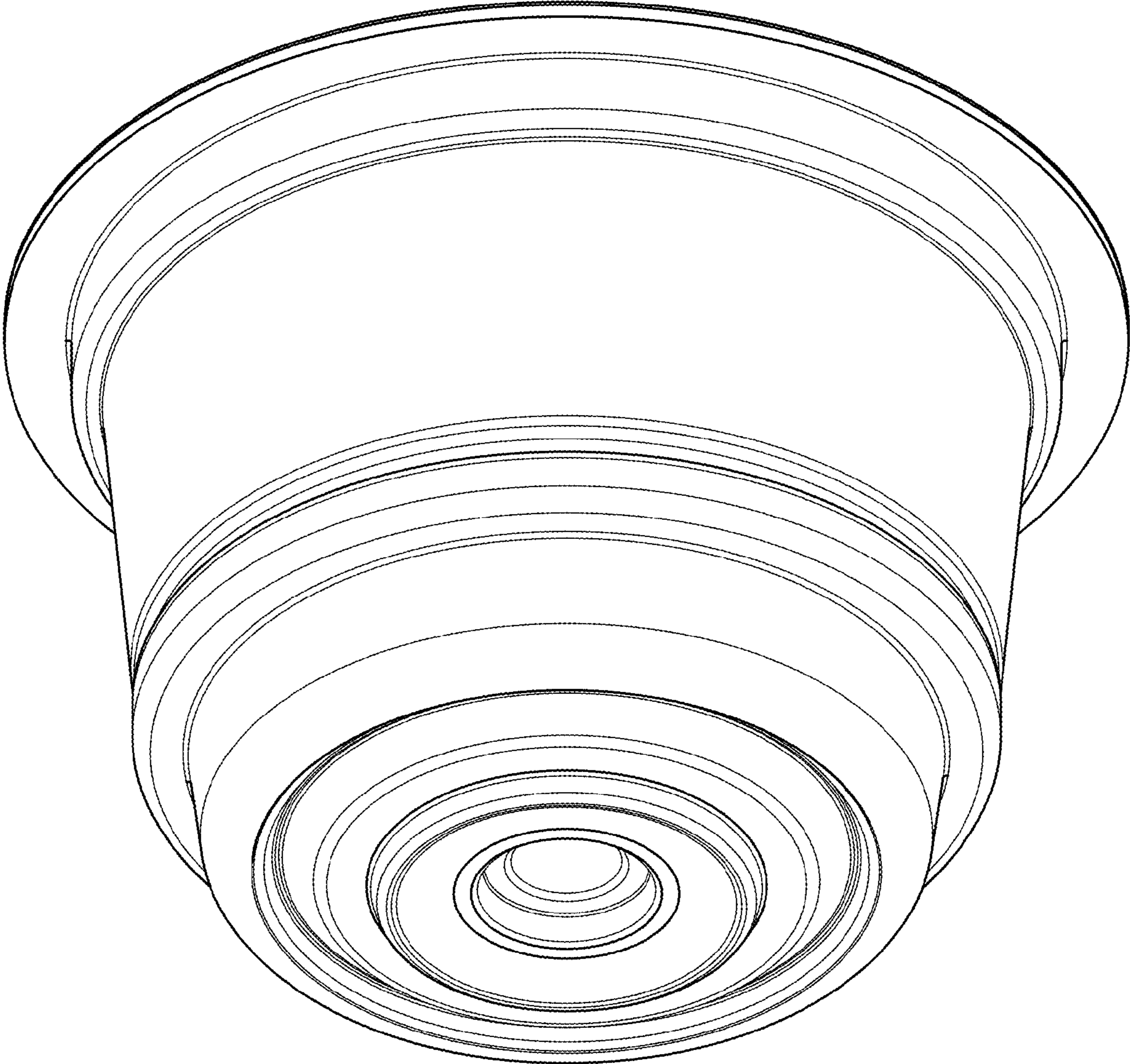


FIG. 2

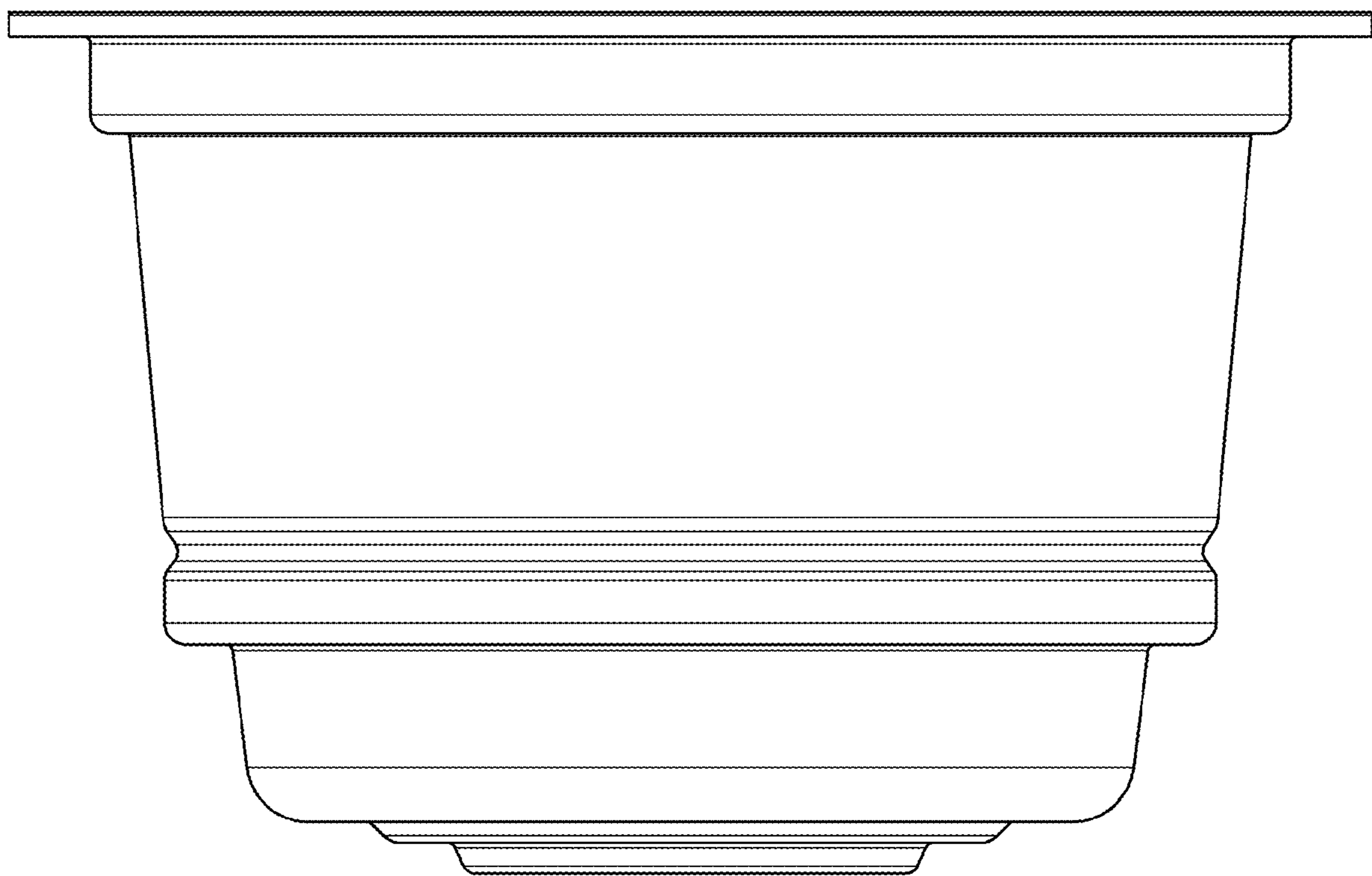
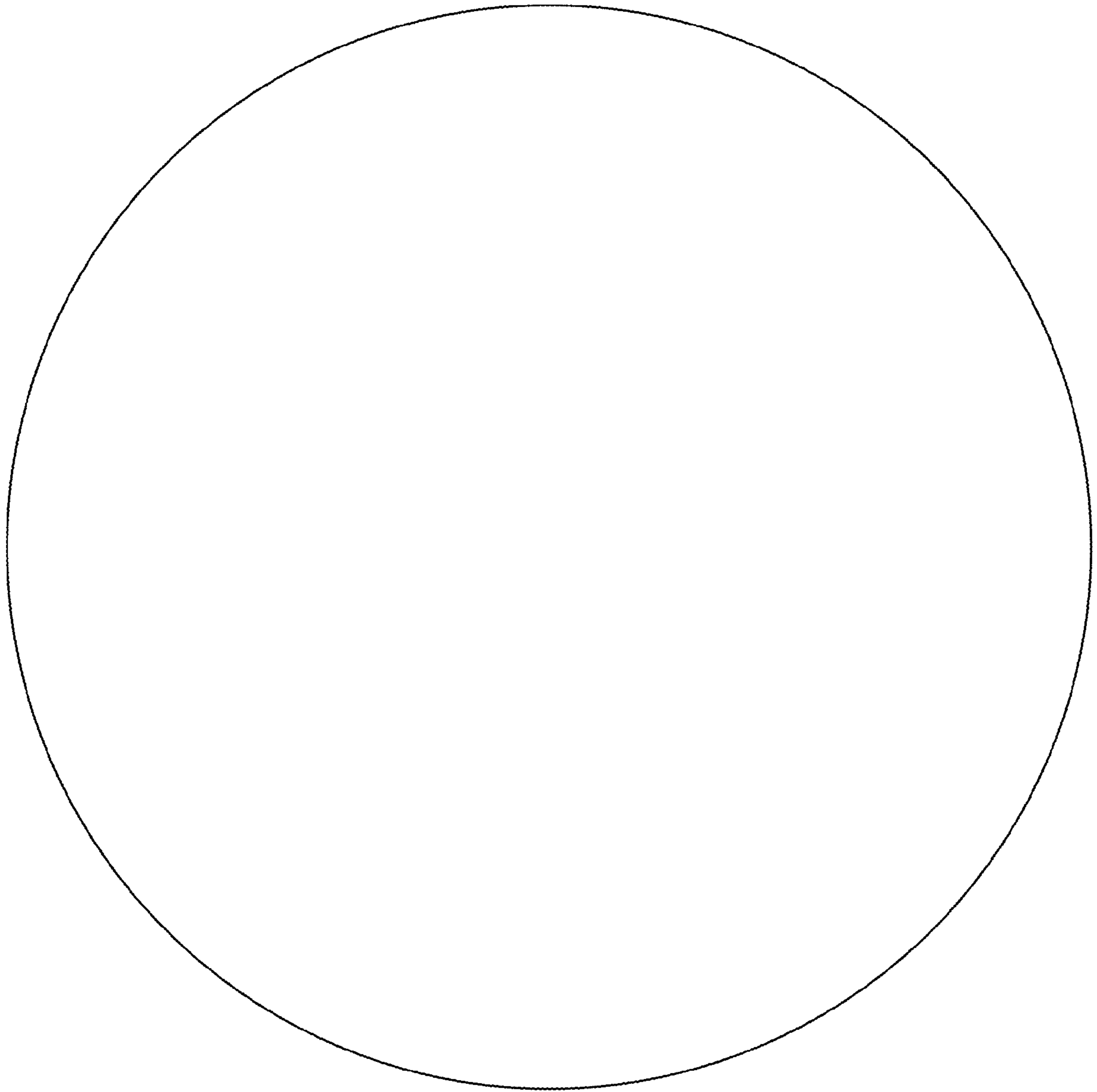


FIG. 3



**FIG. 4**

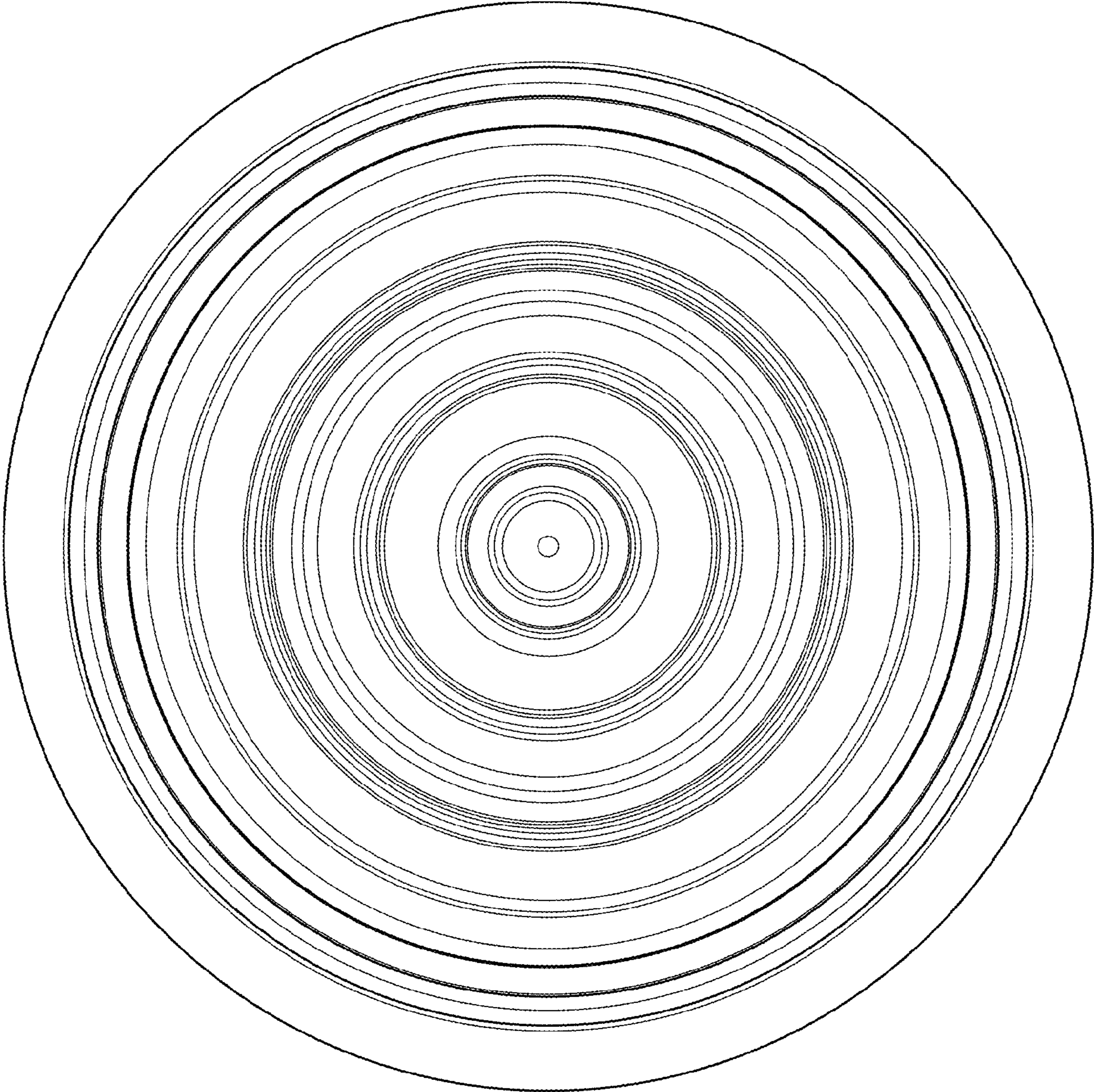


FIG. 5