



US00D880288S

(12) **United States Design Patent** (10) **Patent No.:** **US D880,288 S**  
**Baker et al.** (45) **Date of Patent:** **\*\* Apr. 7, 2020**

(54) **BATTERY PACKAGING**

(71) Applicant: **DURACELL U.S. OPERATIONS, INC.**, Wilmington, DE (US)

(72) Inventors: **Kathleen Baker**, Bethel, CT (US); **Scott Stewart**, Bethel, CT (US); **William Shackford**, Bethel, CT (US); **Joseph Cerone**, Bethel, CT (US); **Audra Norvilas**, Chicago, IL (US); **Bryan Shova**, Chicago, IL (US); **Kelly Lin**, Chicago, IL (US); **Jacqueline Denhman**, Chicago, IL (US); **Alex Weber**, Chicago, IL (US); **Fred Richards**, Chicago, IL (US); **Jen Suberlak**, Chicago, IL (US); **Natalie Denny**, Chicago, IL (US); **Ryan Biery**, Chicago, IL (US); **Gaia Ludwig**, Hartsville, SC (US)

(73) Assignee: **DURACELL U.S. OPERATIONS, INC.**, Wilmington, DE (US)

(\*\*) Term: **15 Years**

(21) Appl. No.: **29/622,157**

(22) Filed: **Oct. 13, 2017**

(51) **LOC (12) Cl.** ..... **09-03**

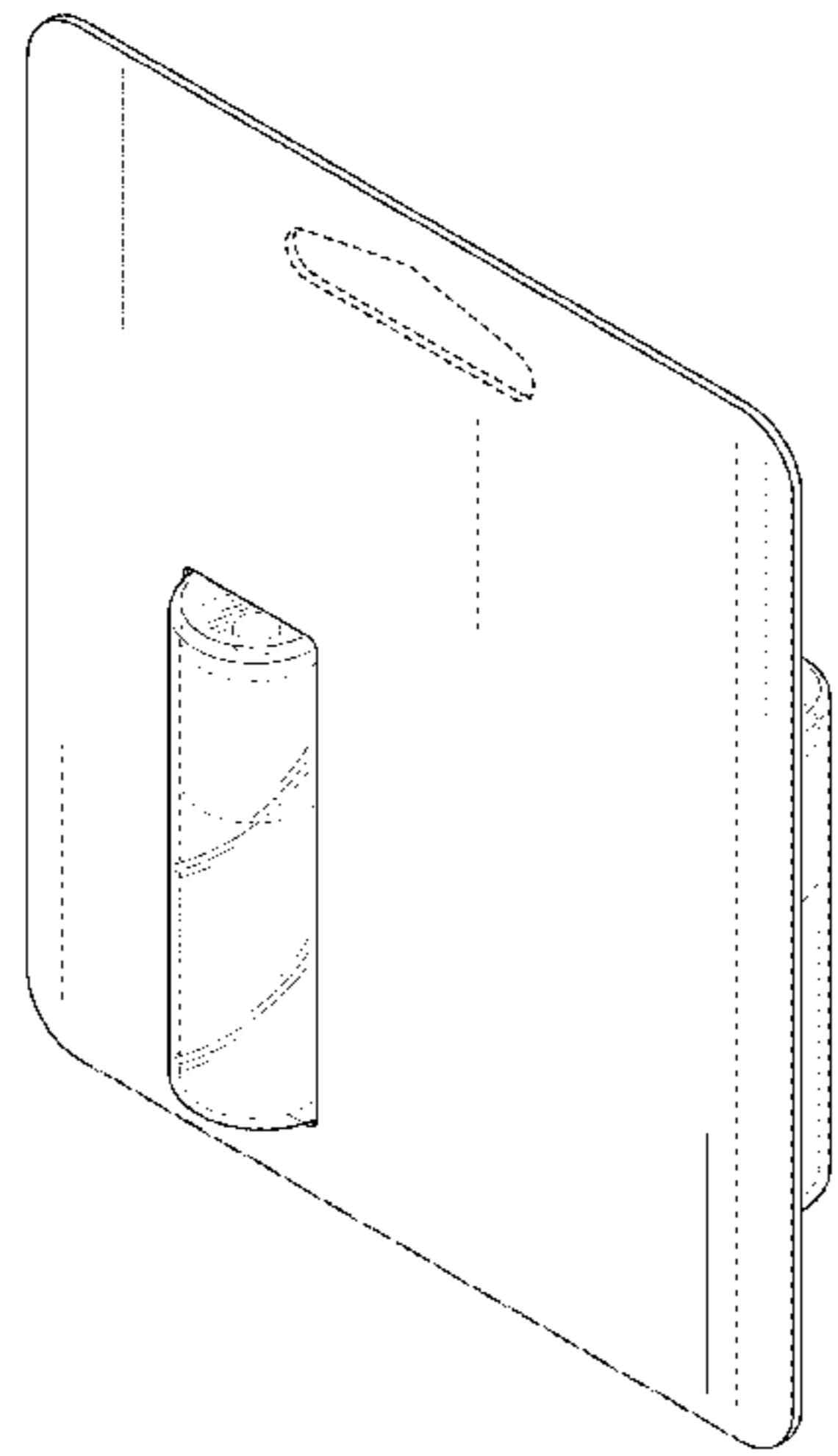
(52) **U.S. Cl.**  
USPC ..... **D9/415**

(58) **Field of Classification Search**  
USPC ..... D9/414, 415, 416, 418, 424, 432, 438, D9/702, 705, 707, 709, 730, 732, 744, D9/749, 759; 206/514, 775, 779  
CPC . B65D 1/00; B65D 5/00; B65D 11/00; B65D 17/00; B65D 85/00; B65D 85/62; B65D 2571/00; B65D 2221/00  
See application file for complete search history.

3,635,331 A	1/1972	Zucker	
D302,662 S	8/1989	Calcerano et al.	
4,958,731 A	9/1990	Calcerano	
5,184,724 A	2/1993	Mayled	
5,297,679 A	3/1994	Rondone et al.	
D398,844 S *	9/1998	Oberloier	D9/415
5,839,583 A	11/1998	Pope et al.	
D408,732 S *	4/1999	Gaffney	D9/415
D427,523 S	7/2000	Calcerano	
D432,009 S *	10/2000	Pirro	D9/415
D432,411 S	10/2000	Pirro et al.	
D432,908 S *	10/2000	Pirro	D9/415
D433,936 S	11/2000	Pirro et al.	
6,155,414 A	12/2000	Vaessen	
D449,779 S	10/2001	Otto	
6,308,832 B1 *	10/2001	Pirro	B65D 73/0092 206/462
D450,239 S *	11/2001	Otto	D9/415
D451,014 S *	11/2001	Otto	D9/415
D451,015 S	11/2001	Otto	
D451,382 S *	12/2001	Adkins	D9/415
D456,249 S	4/2002	Pearson et al.	
D456,252 S	4/2002	Weil	
6,439,390 B1	8/2002	Kumakura et al.	
D462,615 S	9/2002	Weil	
D470,047 S *	2/2003	Lee	D9/415
D479,125 S	9/2003	Kumakura et al.	
D479,126 S *	9/2003	Kumakura	D9/415
D480,964 S *	10/2003	Lee	D9/415
D499,962 S	12/2004	Lee et al.	
D506,925 S *	7/2005	Plumer	D9/415
6,918,532 B2	7/2005	Sierra-Gomez et al.	
D508,398 S	8/2005	Lee et al.	
D508,844 S	8/2005	Calcerano	
D510,261 S	10/2005	Calcerano	
D520,356 S *	5/2006	Kellar	D9/415
D524,654 S	7/2006	Harada et al.	
D544,788 S *	6/2007	Brittain	D9/415
D577,992 S	10/2008	Sutker et al.	
D581,264 S	11/2008	Mapes, Jr.	
D584,138 S	1/2009	Lafortezza et al.	
D593,854 S *	6/2009	Casanova	D9/415
7,571,813 B2	8/2009	Weisskopf	
D631,371 S *	1/2011	Borgheim	D9/415
D646,561 S *	10/2011	Pugh	D9/415
8,066,125 B2 *	11/2011	Kang	B65D 43/164 206/461
D651,509 S	1/2012	Methe et al.	
8,114,451 B2	2/2012	Sierra-Gomez et al.	
D662,815 S	7/2012	Methe et al.	
8,430,244 B2	4/2013	Kennedy et al.	
D689,374 S *	9/2013	Logue	D9/732
D694,101 S	11/2013	Radomyselski et al.	

(56) **References Cited**  
U.S. PATENT DOCUMENTS

3,303,930 A	2/1967	Hyland
3,394,801 A	7/1968	Hanson



D695,625	S	*	12/2013	Limback	.....	D9/415
D697,398	S	*	1/2014	Guevara-Ludt	.....	D9/415
D712,280	S		9/2014	Radomyselski et al.		
D715,637	S	*	10/2014	Caminada	.....	D9/416
D723,365	S	*	3/2015	Mitchell	.....	D9/416
D724,425	S	*	3/2015	Atkinson	.....	D9/415
D730,169	S	*	5/2015	Atkinson	.....	D9/415
D731,883	S	*	6/2015	Davidson	.....	D9/415
D739,227	S	*	9/2015	Mitchell	.....	D9/416
D742,735	S	*	11/2015	Fetman	.....	D9/415
D751,387	S		3/2016	Markle et al.		
D767,985	S	*	10/2016	Schouten	.....	D9/414
9,809,368	B2	*	11/2017	Huffer	.....	B65D 77/206
D805,890	S	*	12/2017	Hong	.....	D9/415
D813,028	S	*	3/2018	Saito	.....	D9/415
9,950,840	B2		4/2018	Radomyselski et al.		
D818,816	S		5/2018	Baker et al.		
D818,817	S	*	5/2018	Baker	.....	D9/415
D818,818	S	*	5/2018	Debnath	.....	D9/415
D819,437	S		6/2018	Baker et al.		
D820,674	S	*	6/2018	Yuan	.....	D9/424
D822,479	S	*	7/2018	Baker	.....	D9/415
D827,423	S	*	9/2018	DeMaere	.....	D9/415
D827,424	S	*	9/2018	DeMaere	.....	D9/415
D833,270	S	*	11/2018	Fath	.....	D9/418
D833,861	S	*	11/2018	Stadelmaier	.....	D9/415
D844,428	S	*	4/2019	Stadelmaier	.....	D9/415
D859,141	S	*	9/2019	Baker	.....	D9/415
2001/0052478	A1		12/2001	Casanova et al.		
2003/0217949	A1		11/2003	Schamante		
2006/0065570	A1		3/2006	Martin et al.		
2006/0096887	A1		5/2006	Morrison		
2006/0207909	A1		9/2006	Tada et al.		
2006/0283748	A1		12/2006	Daio et al.		
2007/0170087	A1		7/2007	Narpes et al.		
2007/0273330	A1		11/2007	Beghelli		
2009/0057184	A1		3/2009	Leaman		
2012/0031809	A1		2/2012	Methe et al.		
2012/0037537	A1		2/2012	Schein et al.		
2012/0205276	A1		8/2012	Shackford		
2012/0222990	A1		9/2012	Fujiwara et al.		
2014/0209497	A1		7/2014	Jacobus		
2015/0291331	A1		10/2015	Bradford		
2016/0137375	A1	*	5/2016	Huffer	.....	B65D 77/206 206/467
2017/0166379	A1		6/2017	Larsen		

FOREIGN PATENT DOCUMENTS

CH	687196	A5	10/1996
EP	0885151	B1	11/1999
JP	282273		6/1968
JP	1531223	S	8/2015
WO	WO-97/05038	A1	2/1997

OTHER PUBLICATIONS

Ecobliss Launches Easy to Open Blister Pack, downloaded from the Internet at: <<http://print-packagingblog.com/ecobliss-launches-easy-to-open-blister-pack/>> (posted Sep. 9, 2013).  
 U.S. Appl. No. 15/214,897, Reclosable Battery Package, filed Jul. 20, 2016.  
 U.S. Appl. No. 15/784,018, Battery Package, filed Oct. 13, 2017.  
 U.S. Appl. No. 29/582,649, Packaging for Batteries, filed Oct. 28, 2016.

U.S. Appl. No. 29/582,662, Packaging for Batteries, filed Oct. 28, 2016.  
 U.S. Appl. No. 29/582,673, Packaging for Batteries, filed Oct. 28, 2016.  
 U.S. Appl. No. 29/582,680, Packaging for Batteries, filed Oct. 28, 2016.  
 U.S. Appl. No. 29/622,156, Battery Packaging, filed Oct. 13, 2017.

\* cited by examiner

*Primary Examiner* — Wan Laymon  
*Assistant Examiner* — Clint A Samuel  
 (74) *Attorney, Agent, or Firm* — Marshall, Gerstein & Borun LLP

(57) **CLAIM**

The ornamental design for battery packaging, as shown and described.

**DESCRIPTION**

FIG. 1 is a front perspective view of a first embodiment of a battery packaging showing our new ornamental design. FIG. 2 is a back perspective view thereof; FIG. 3 is a front view thereof; FIG. 4 is a back view thereof; FIG. 5 is a left-side view thereof; FIG. 6 is a right-side view thereof; FIG. 7 is a top view thereof; FIG. 8 is a bottom view thereof; FIG. 9 is a front perspective view of a second embodiment of a battery packaging showing our new ornamental design. FIG. 10 is a back perspective view thereof; FIG. 11 is a front view thereof; FIG. 12 is a back view thereof; FIG. 13 is a left-side view thereof; FIG. 14 is a right-side view thereof; FIG. 15 is a top view thereof; FIG. 16 is a bottom view thereof; FIG. 17 is a front perspective view of a third embodiment of a battery packaging showing our new ornamental design. FIG. 18 is a back perspective view thereof; FIG. 19 is a front view thereof; FIG. 20 is a back view thereof; FIG. 21 is a left-side view thereof; FIG. 22 is a right-side view thereof; FIG. 23 is a top view thereof; and, FIG. 24 is a bottom view thereof.

The broken lines shown in the drawings are included for the purpose of illustrating environmental structure and form no part of the claimed design.

The battery packaging illustrated in FIGS. 9-16 is shown with a symbolic break in its width. The appearance of any portion of the article between the break lines forms no part of the claimed design.

**1 Claim, 18 Drawing Sheets**



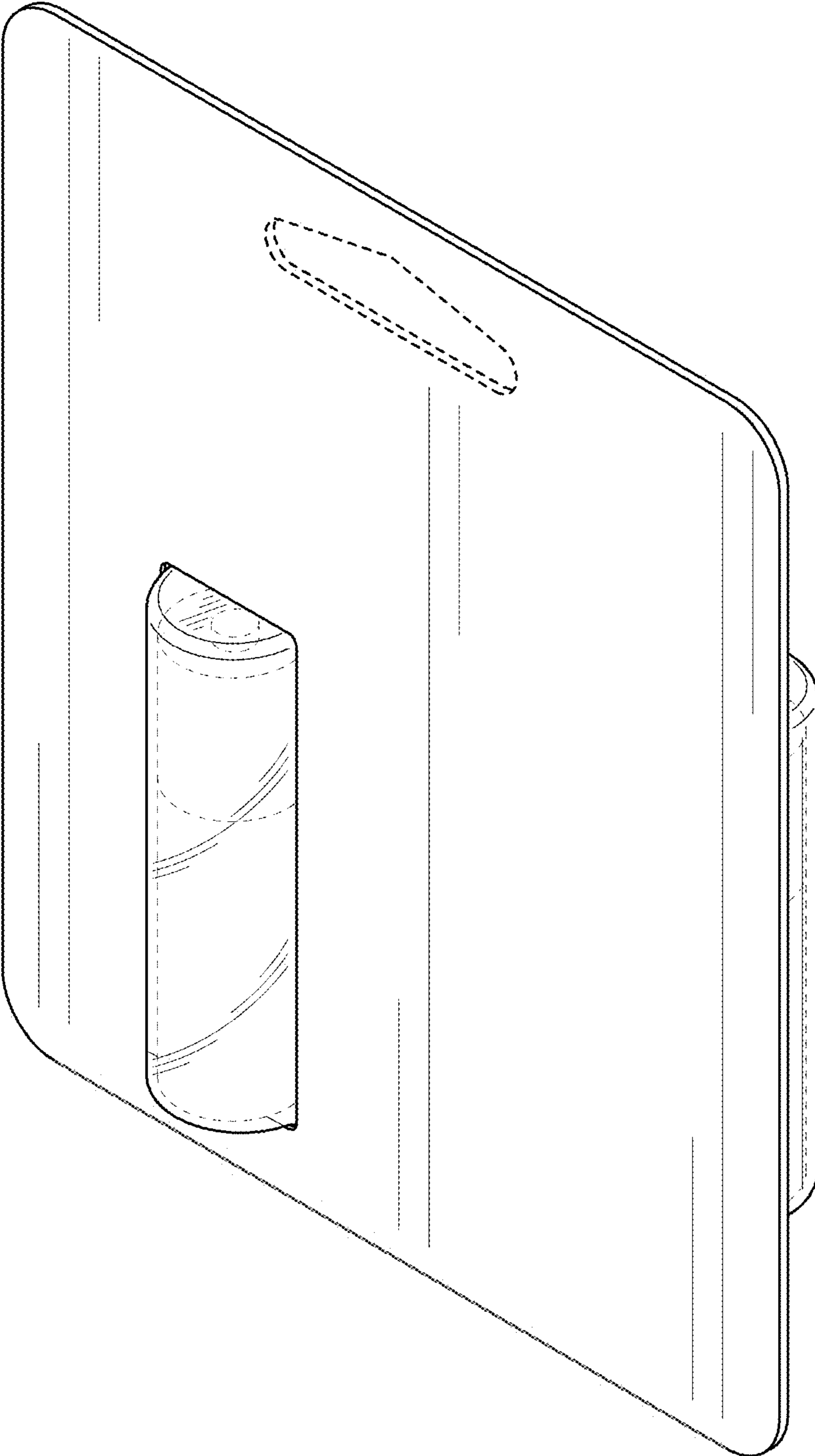


FIG. 1

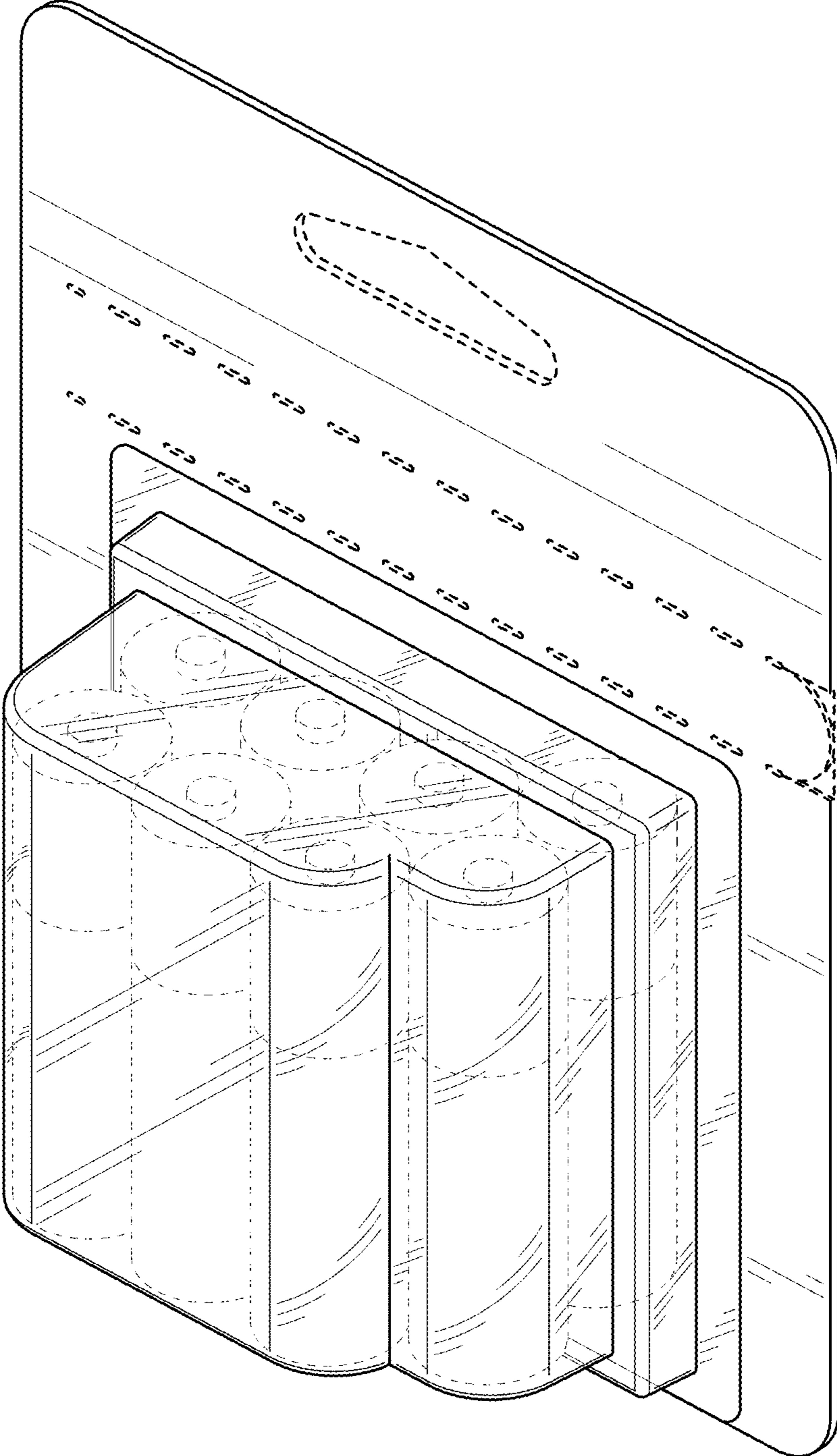


FIG. 2

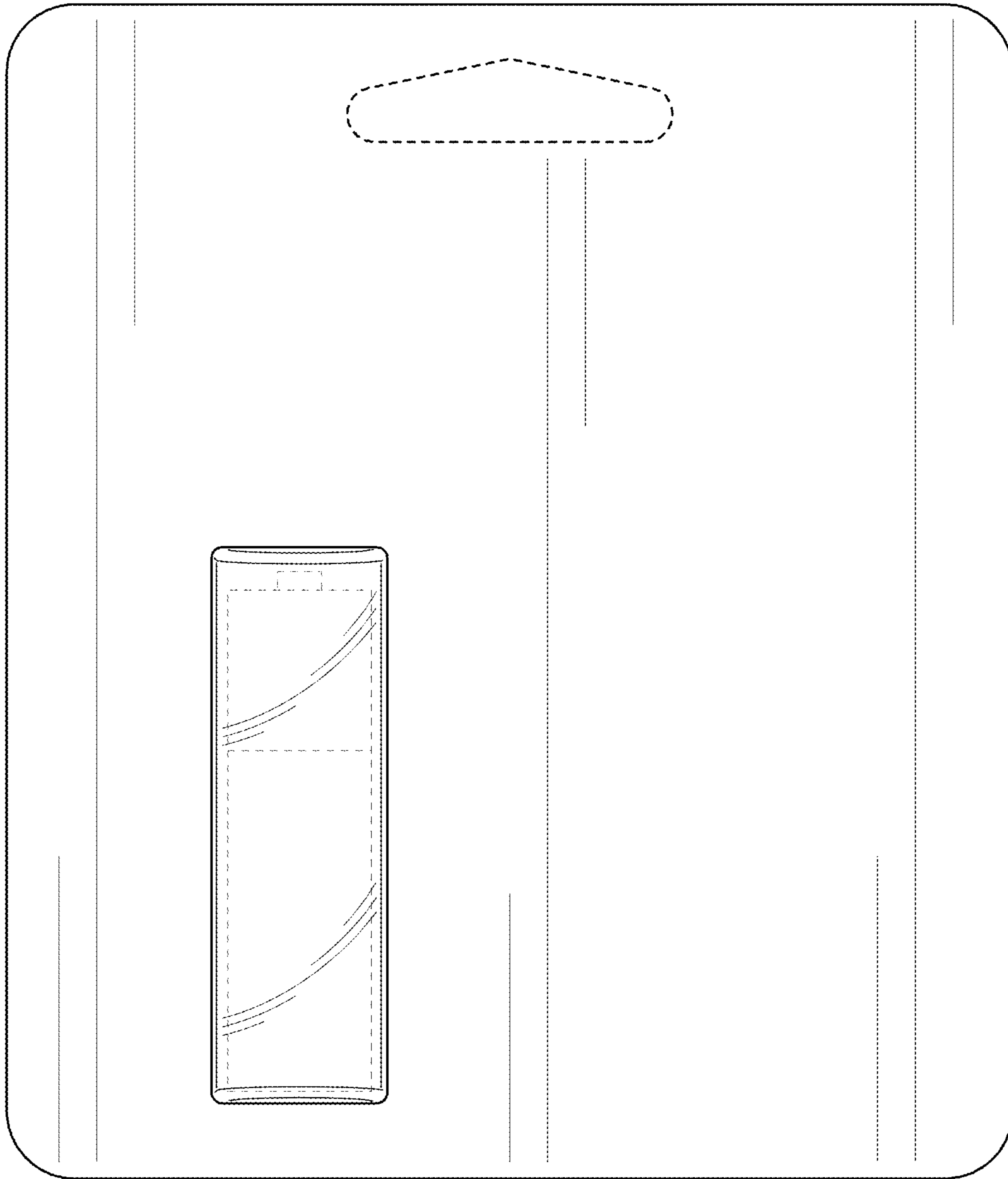


FIG. 3

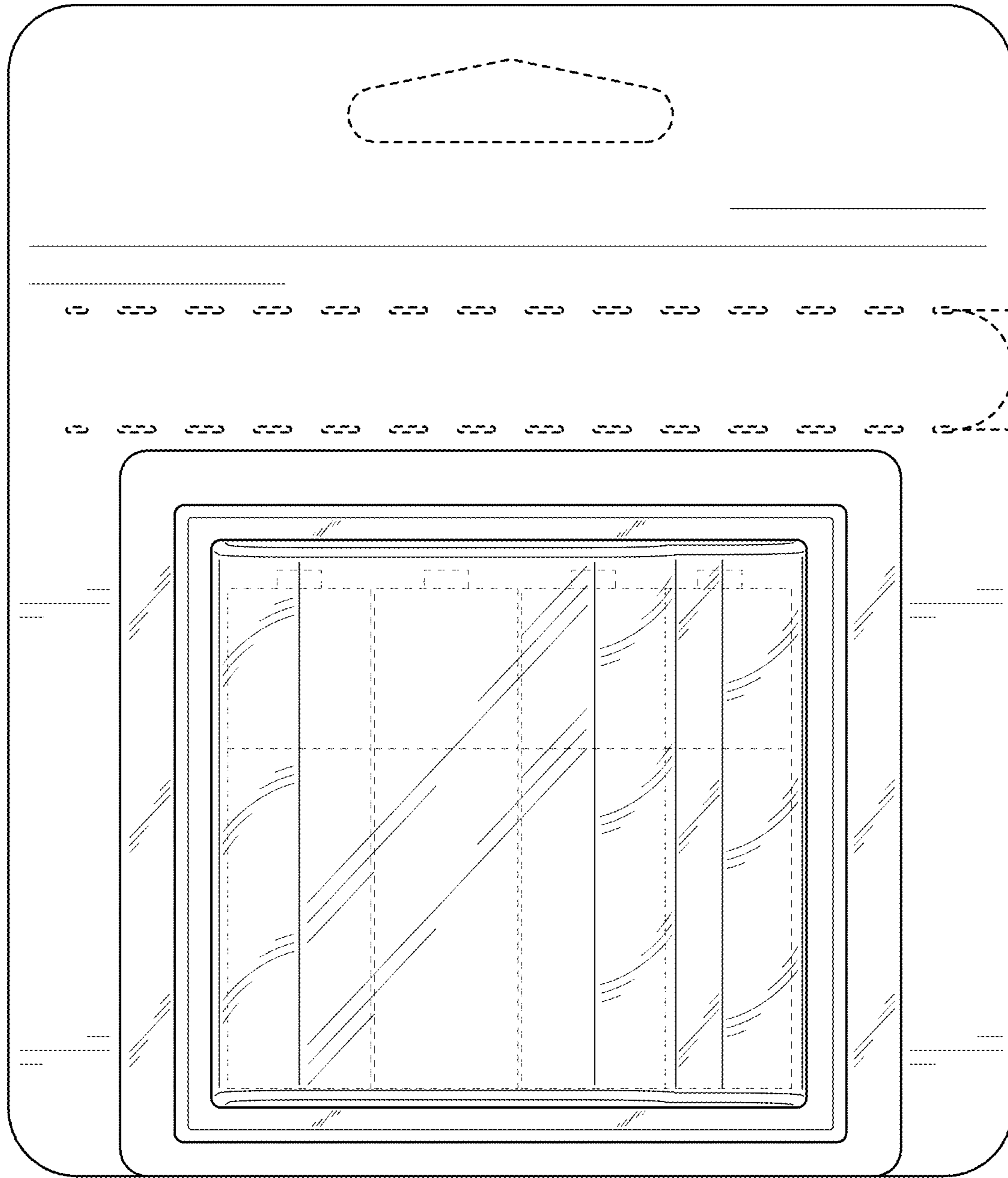


FIG. 4

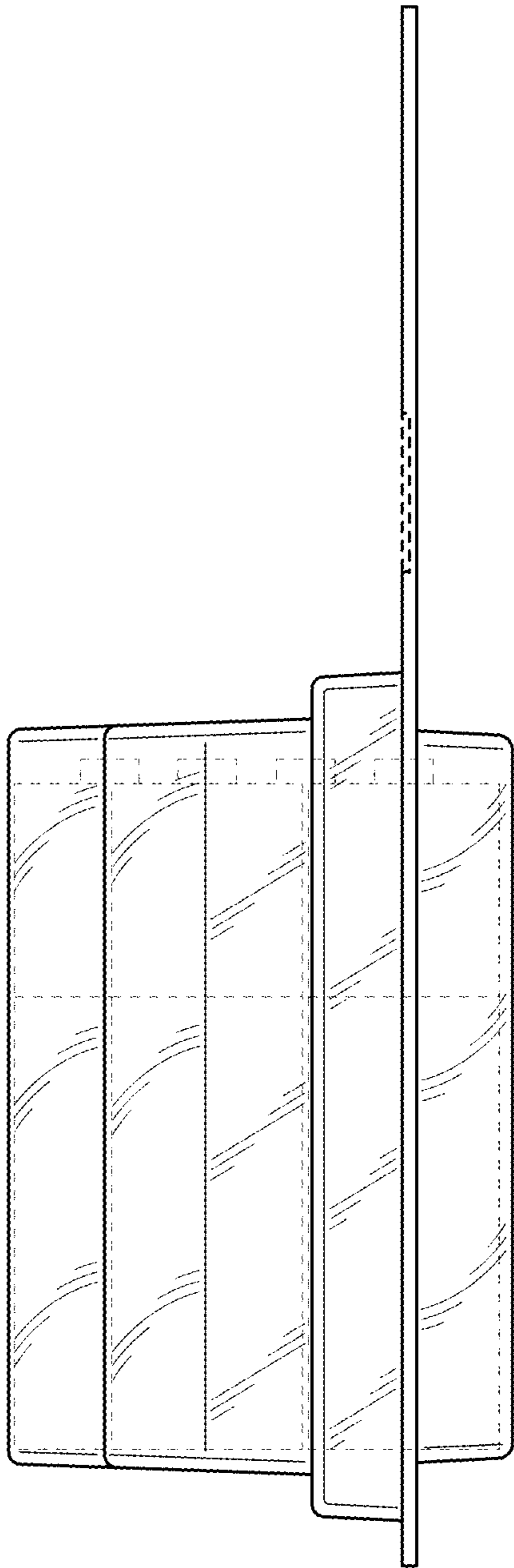


FIG. 5

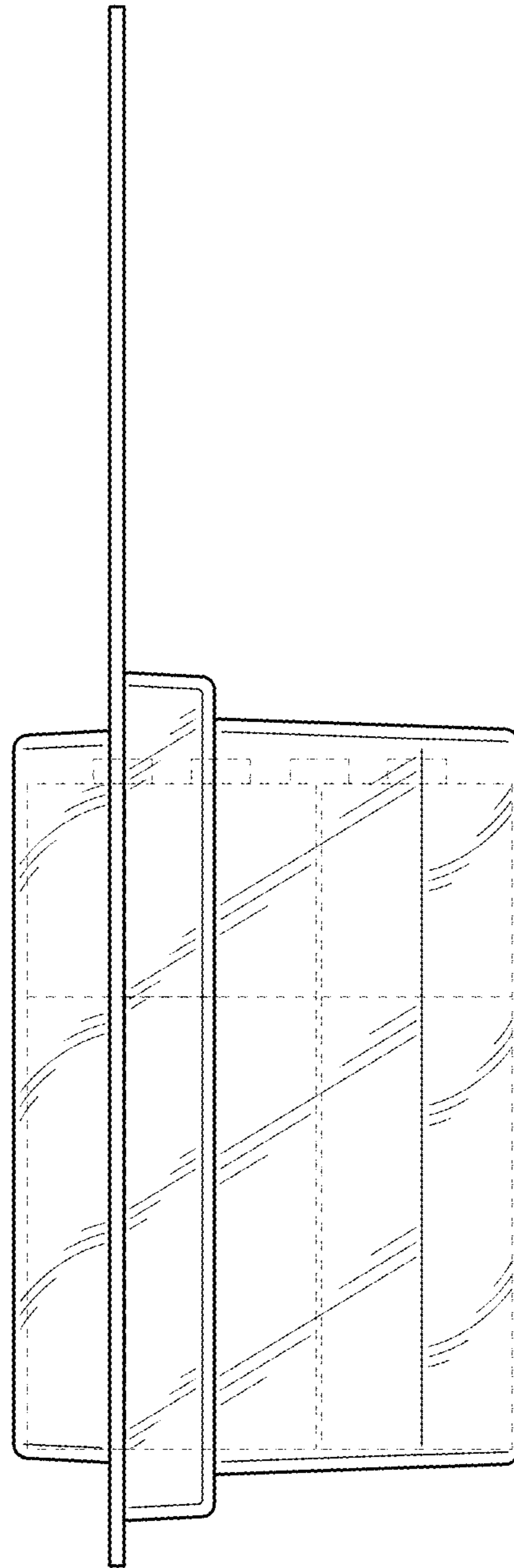


FIG. 6

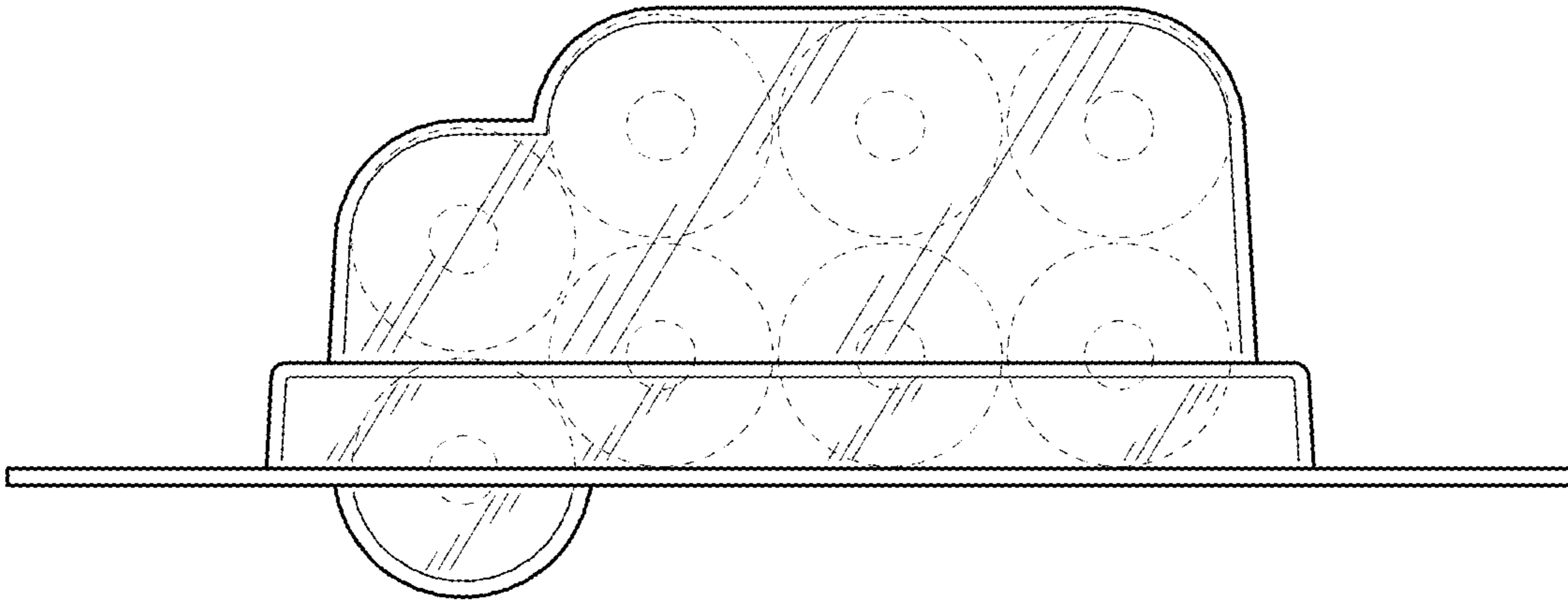


FIG. 7

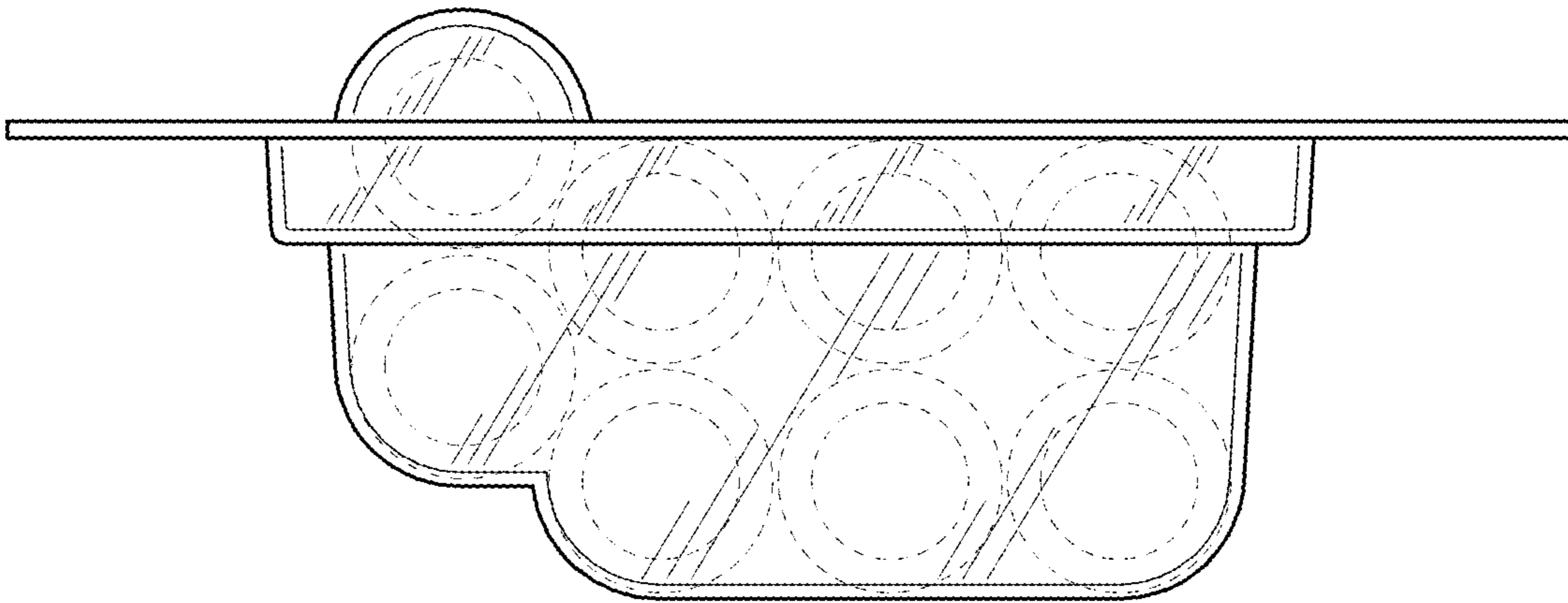


FIG. 8



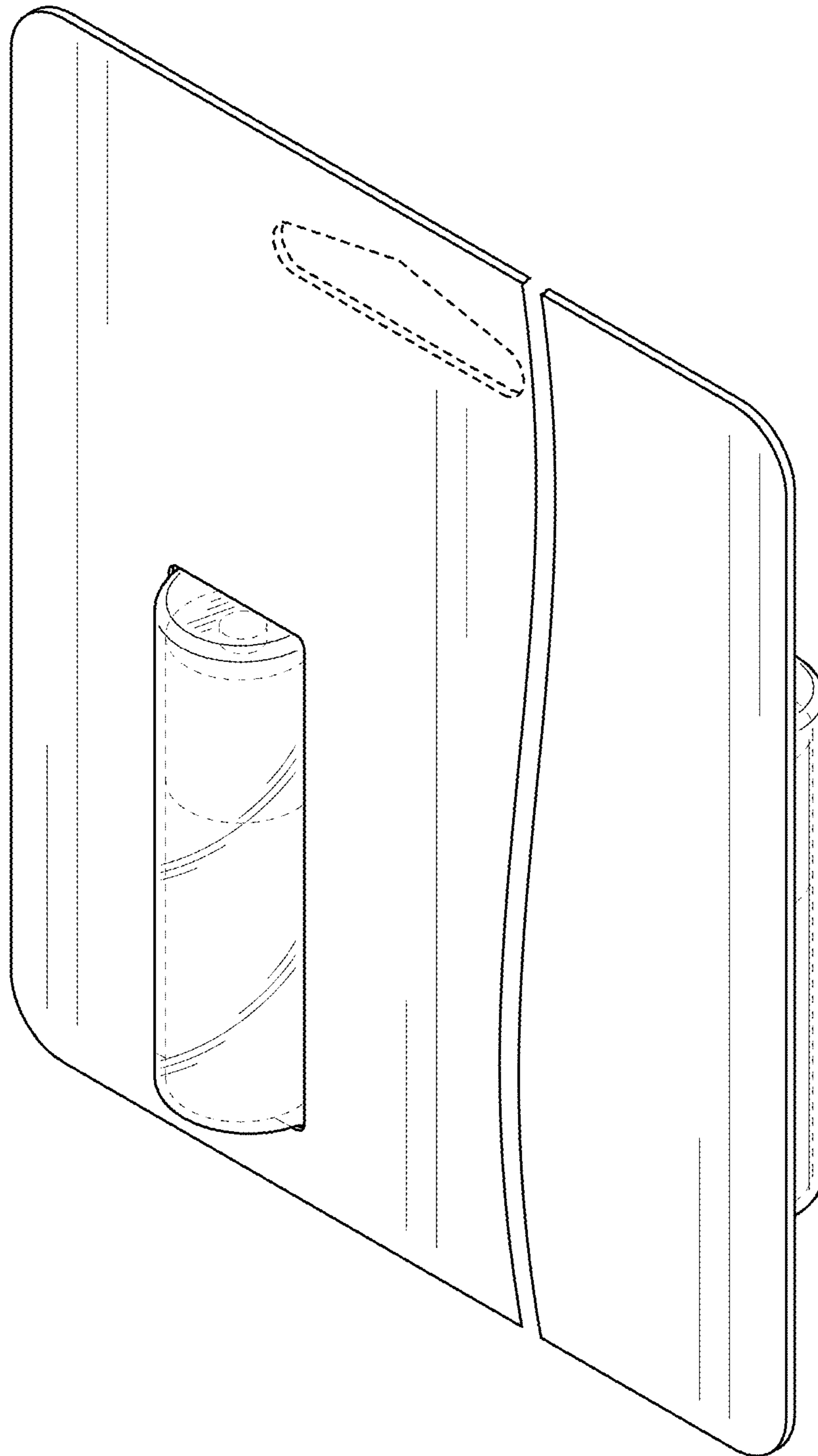


FIG. 9

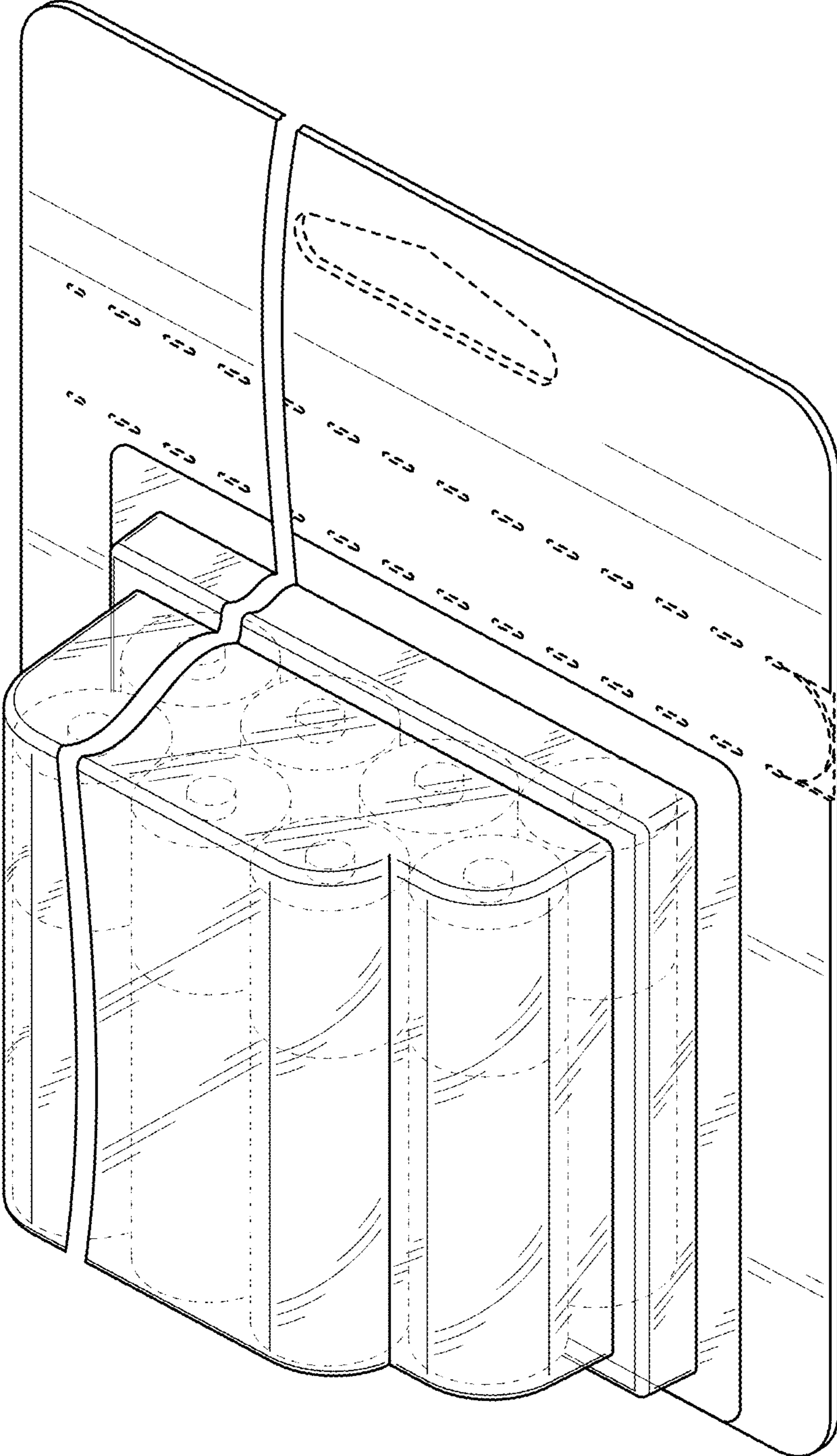


FIG. 10

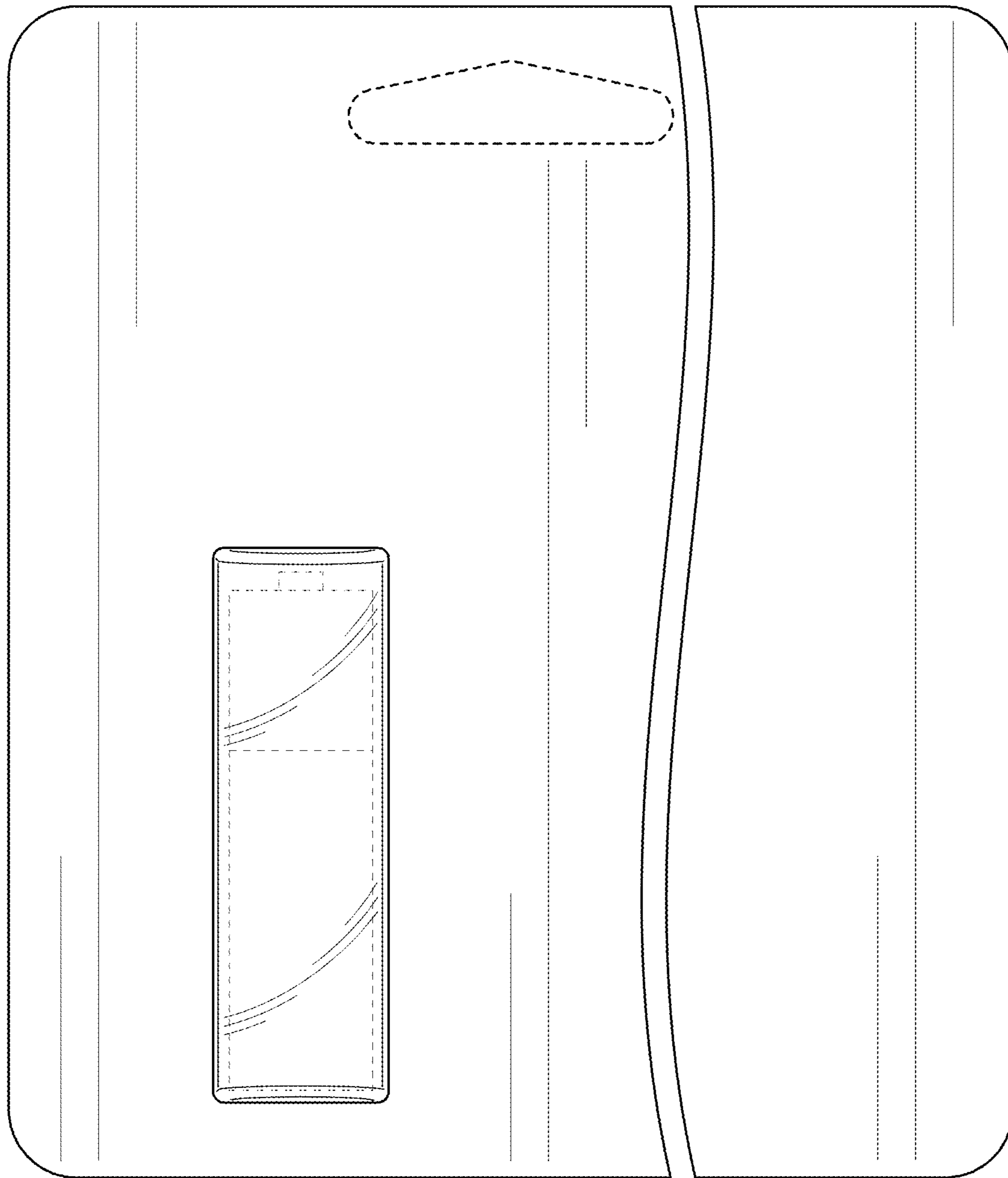


FIG. 11

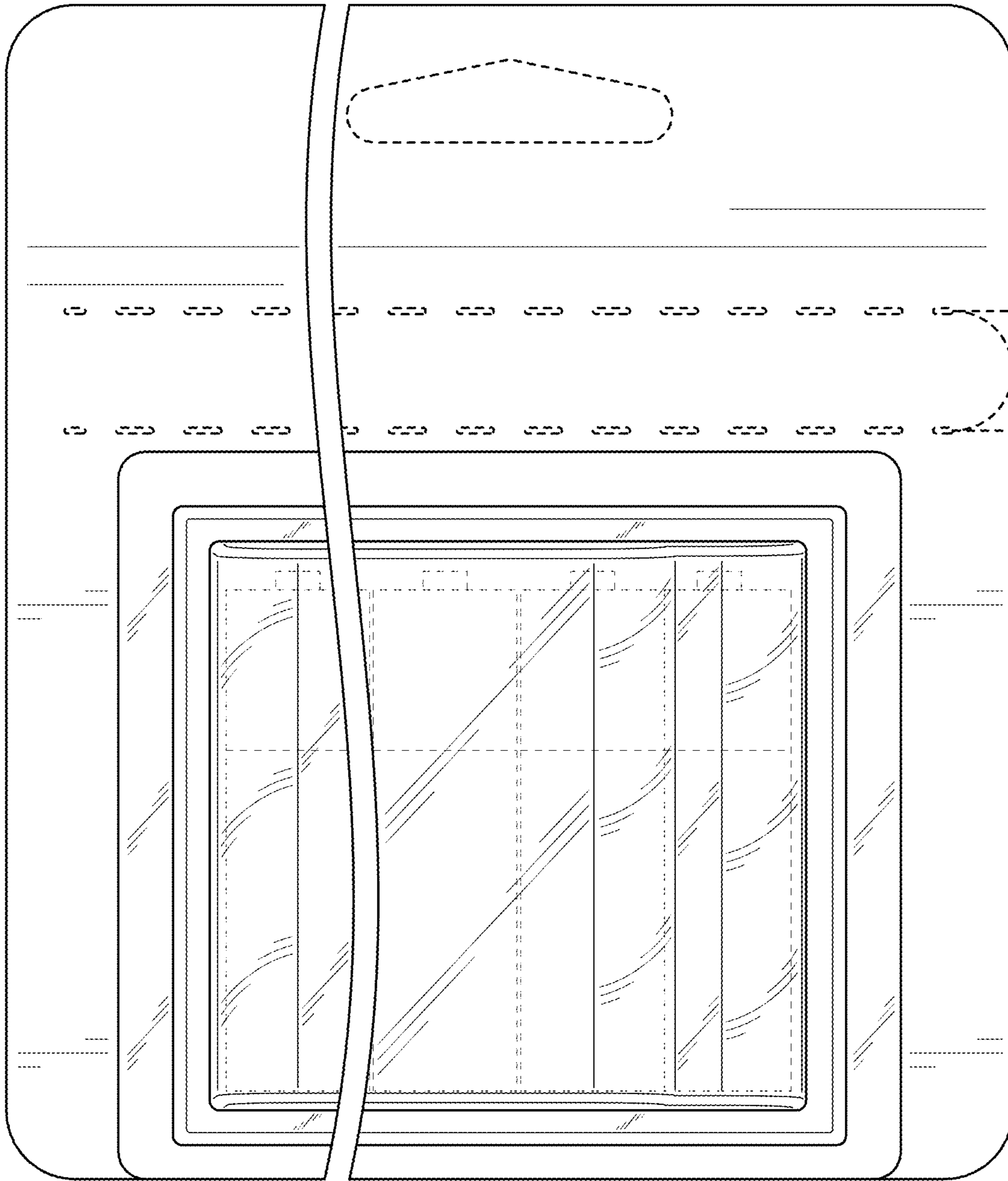


FIG. 12



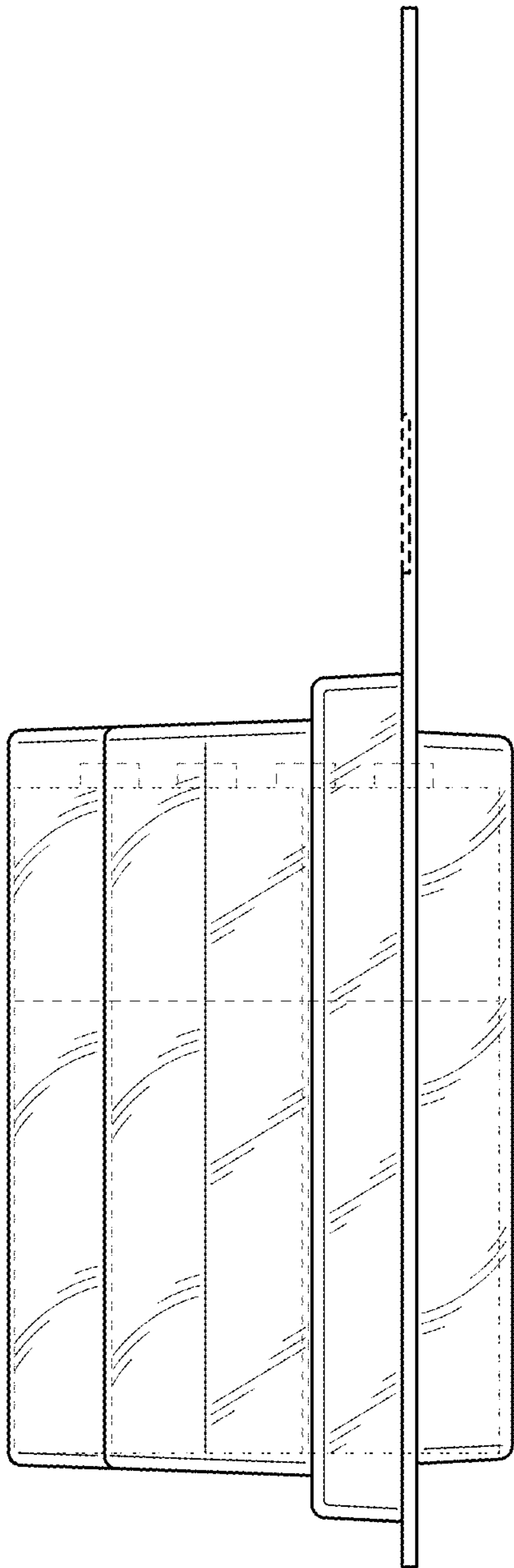


FIG. 13

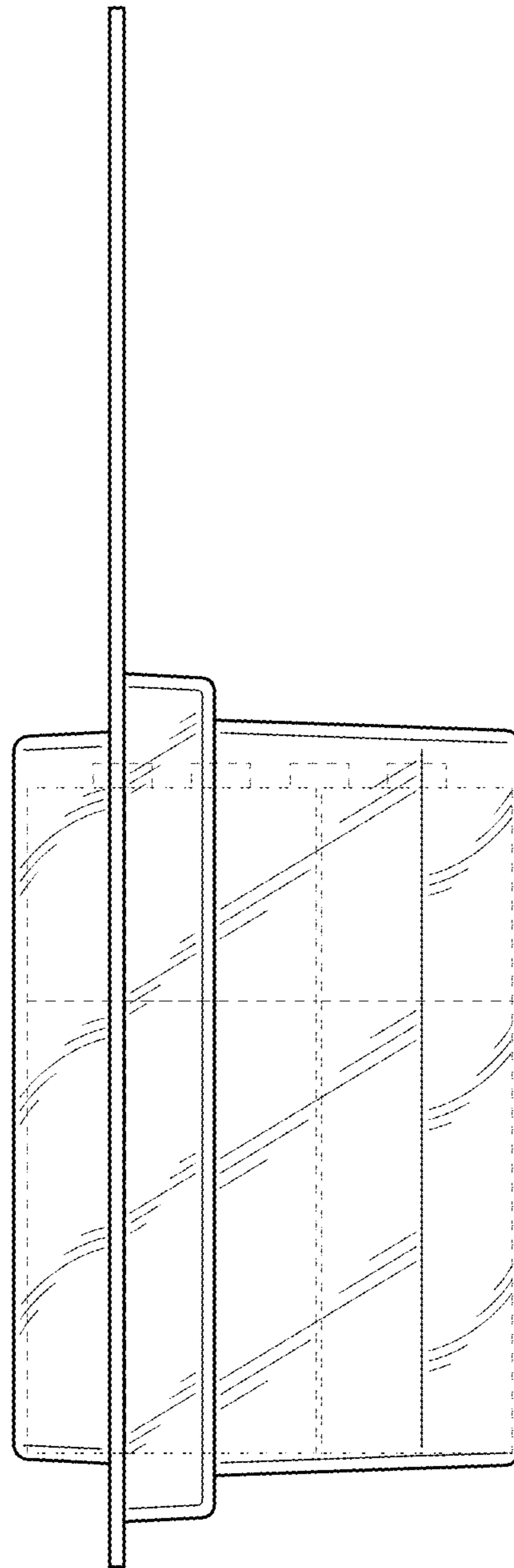


FIG. 14

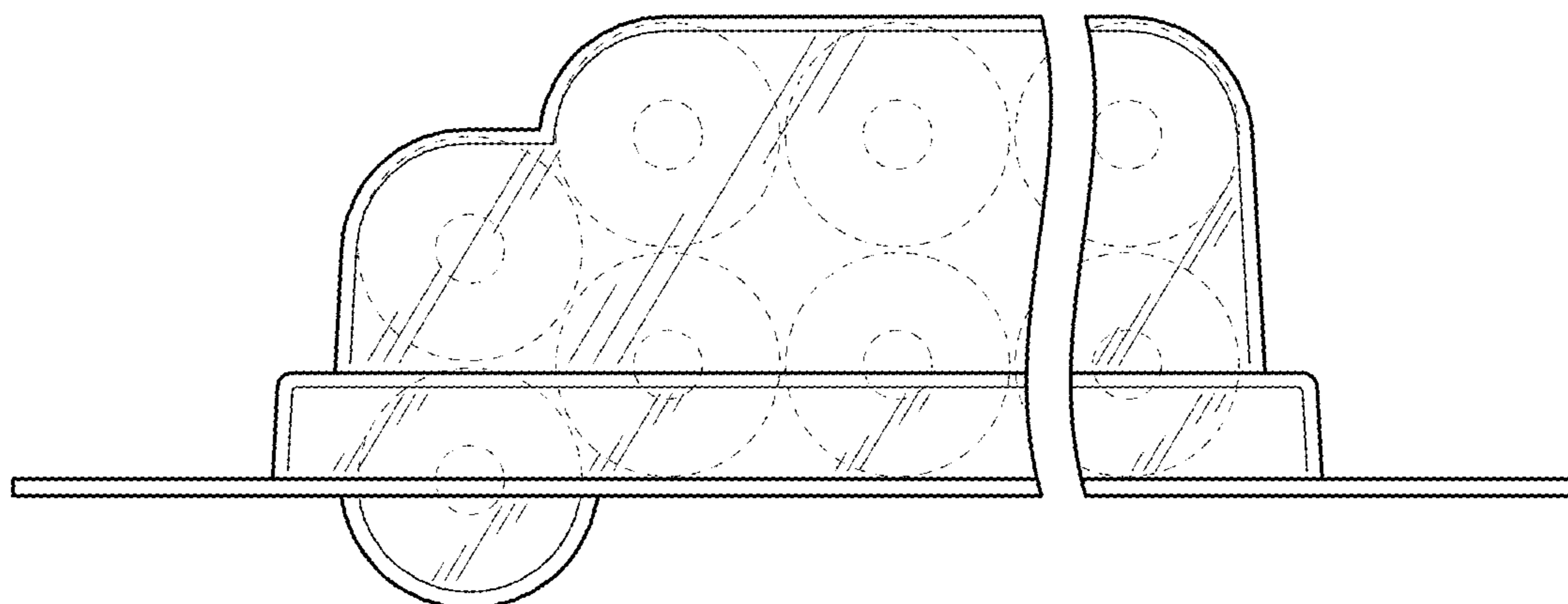


FIG. 15

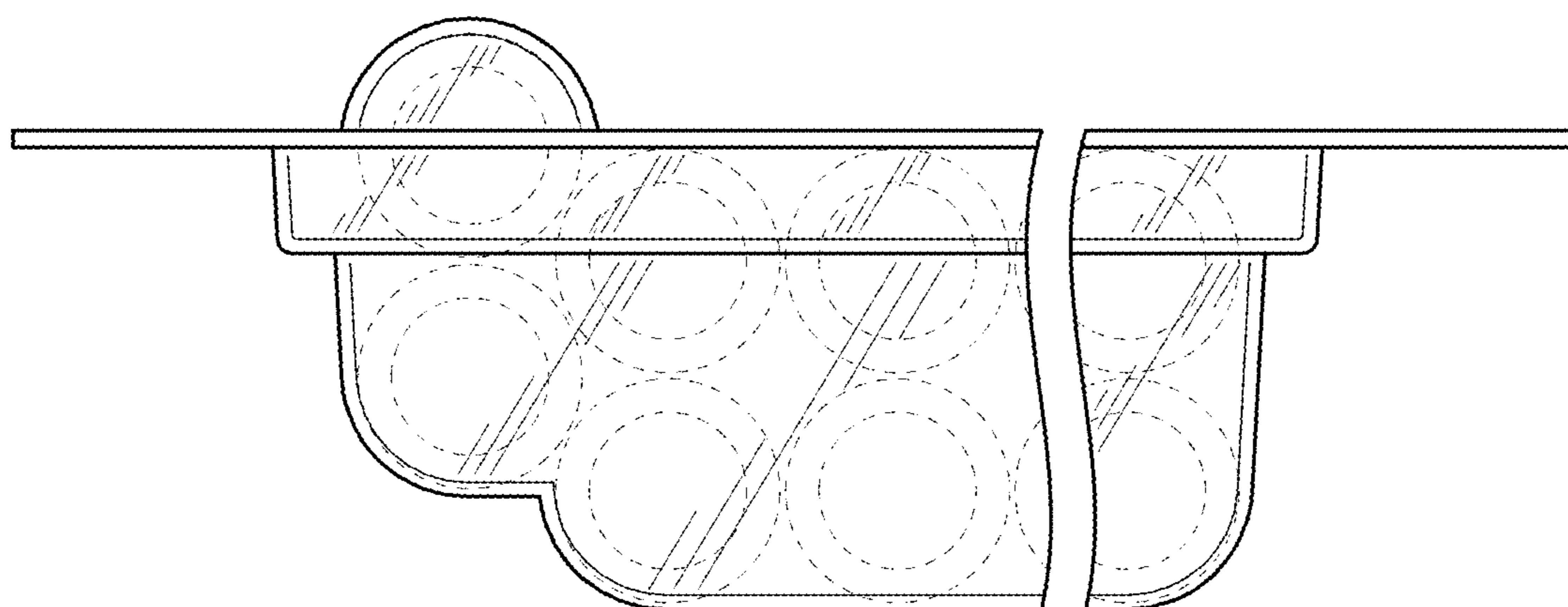


FIG. 16

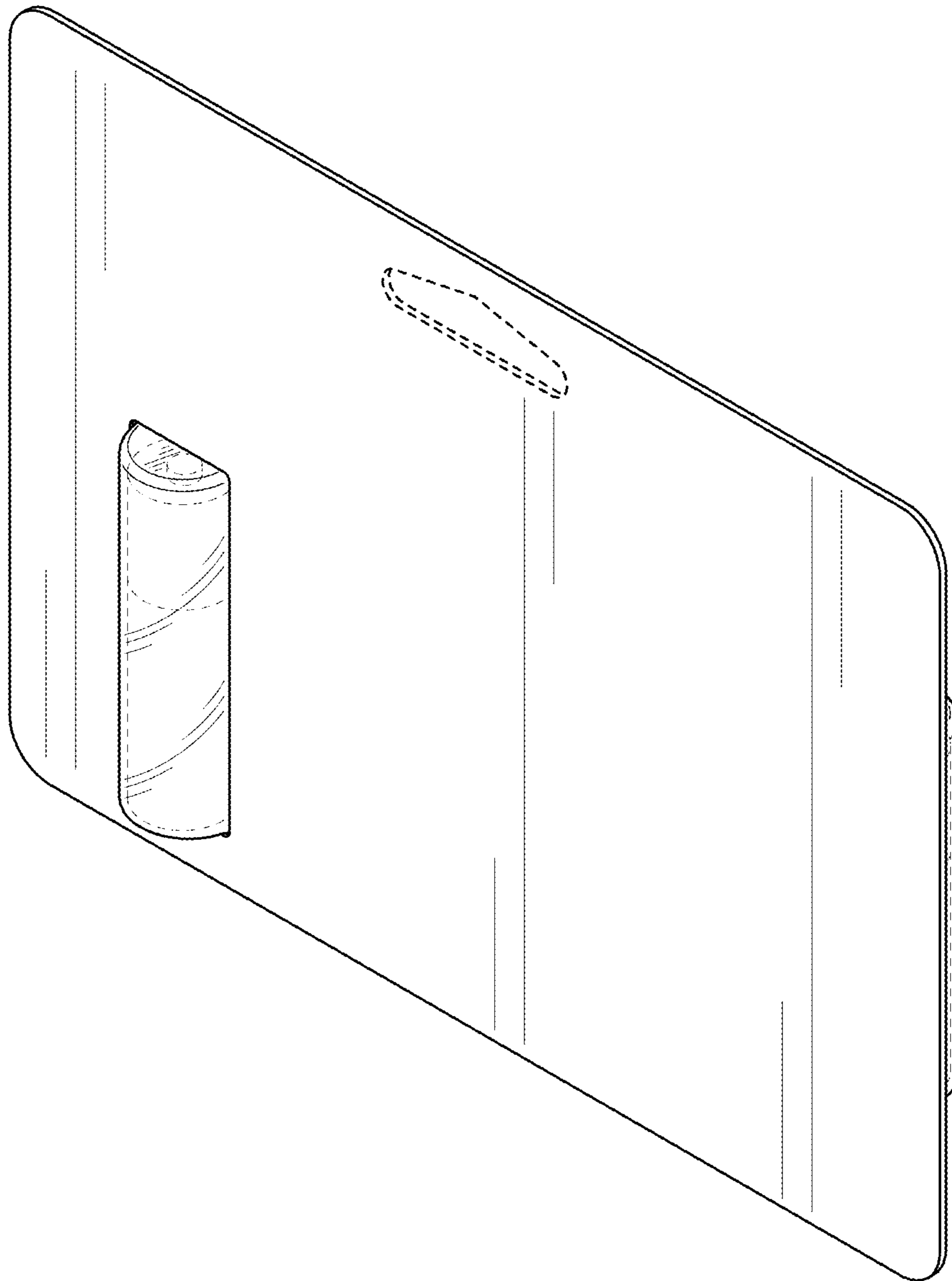


FIG. 17

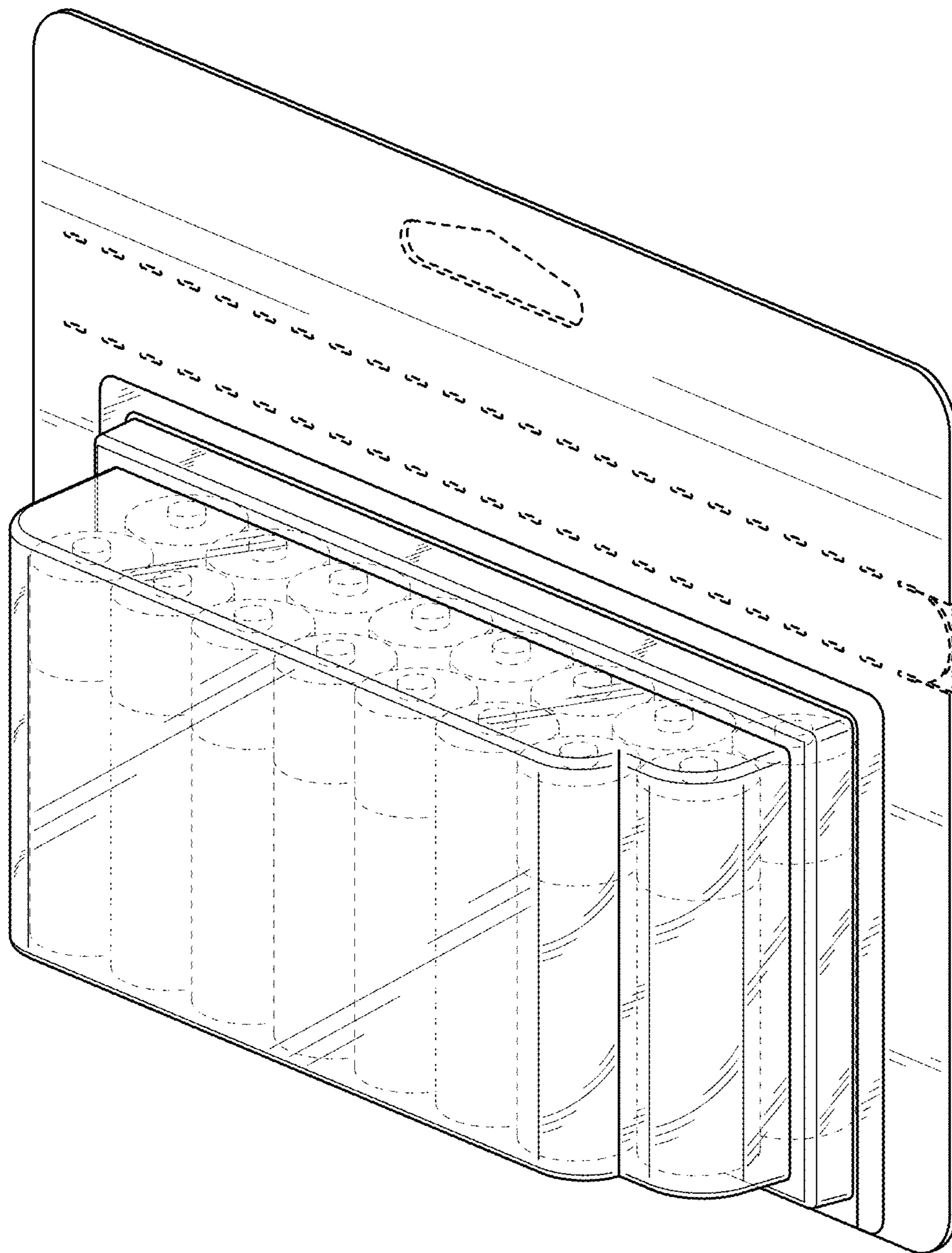


FIG. 18



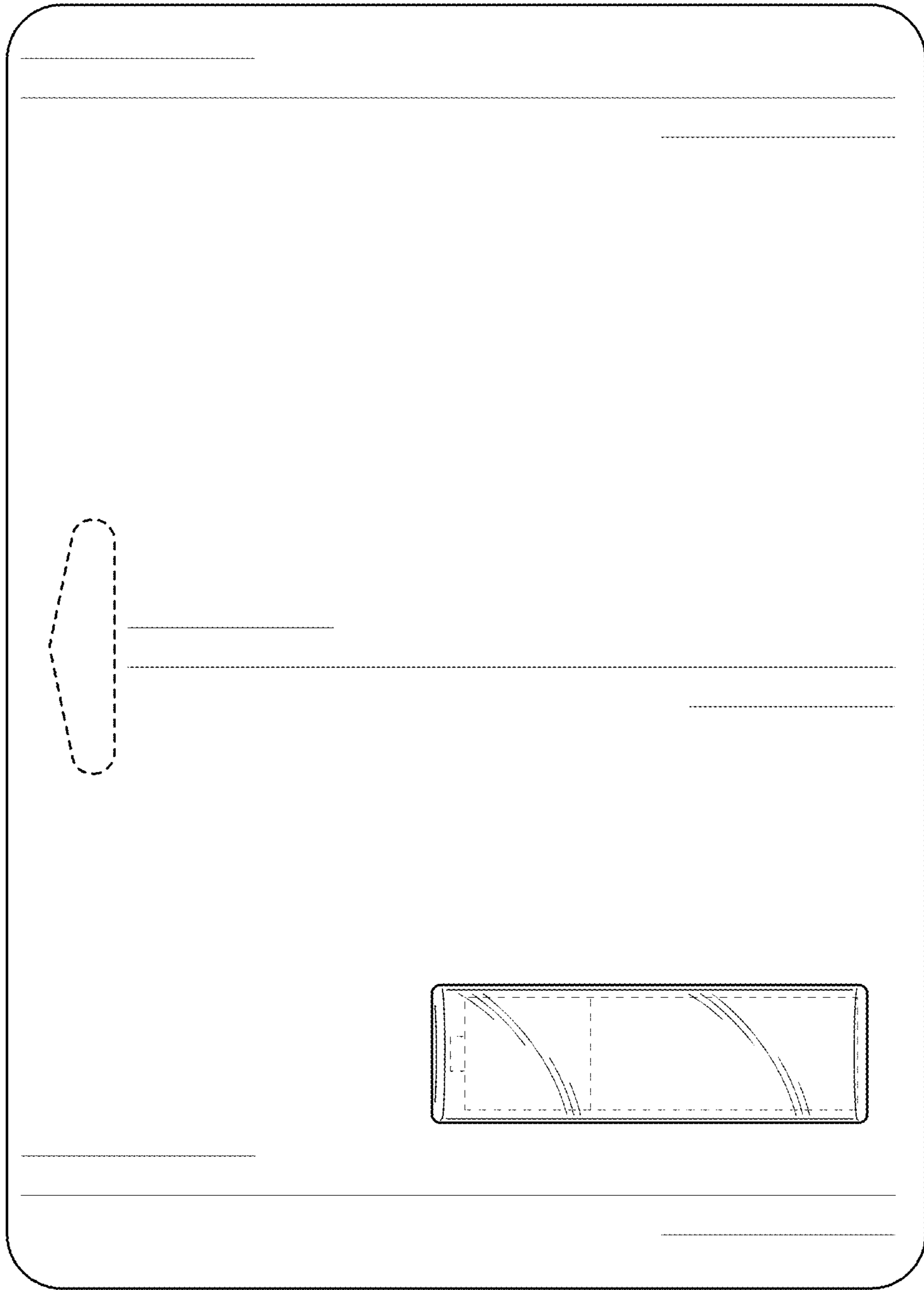


FIG. 19

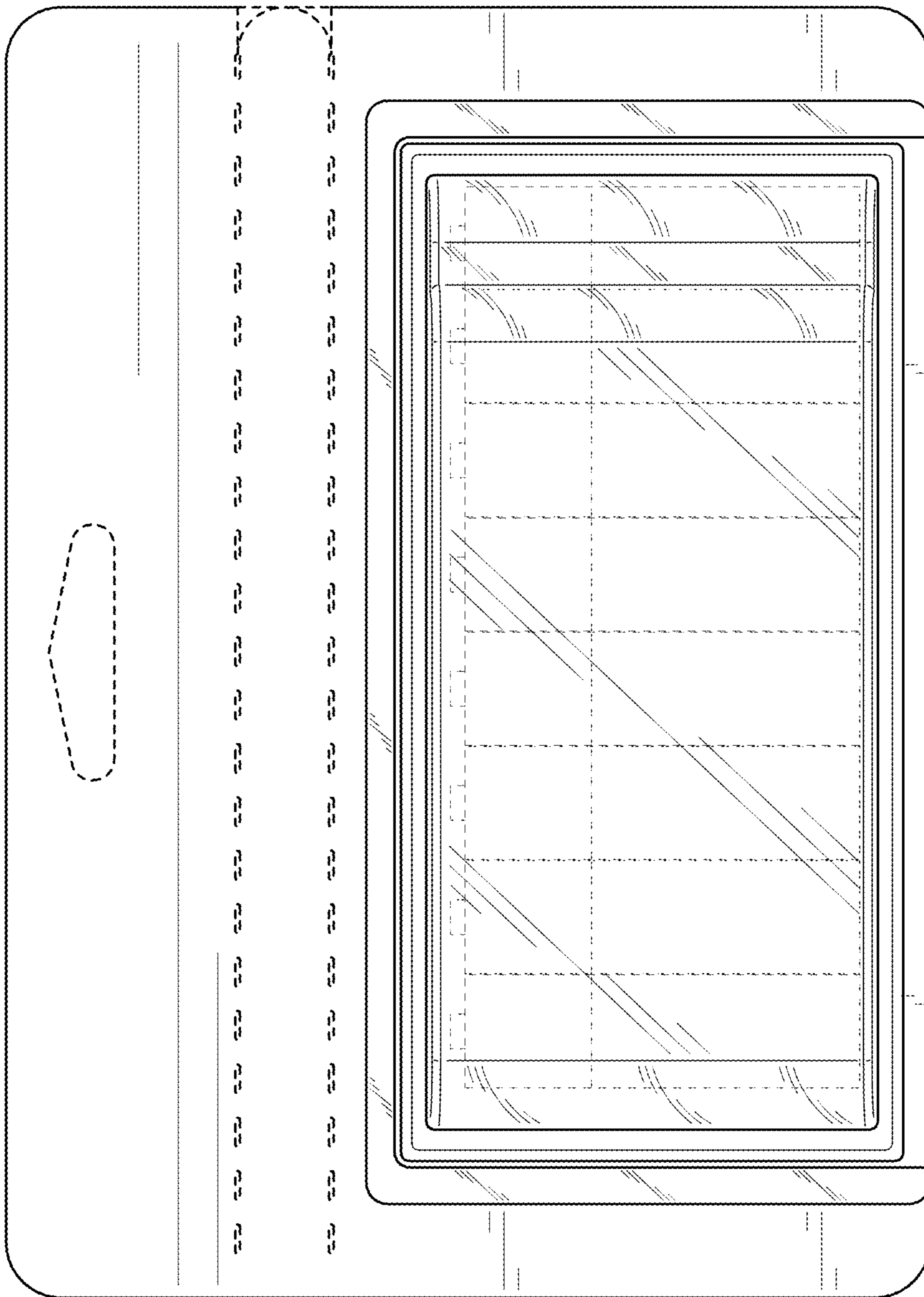


FIG. 20

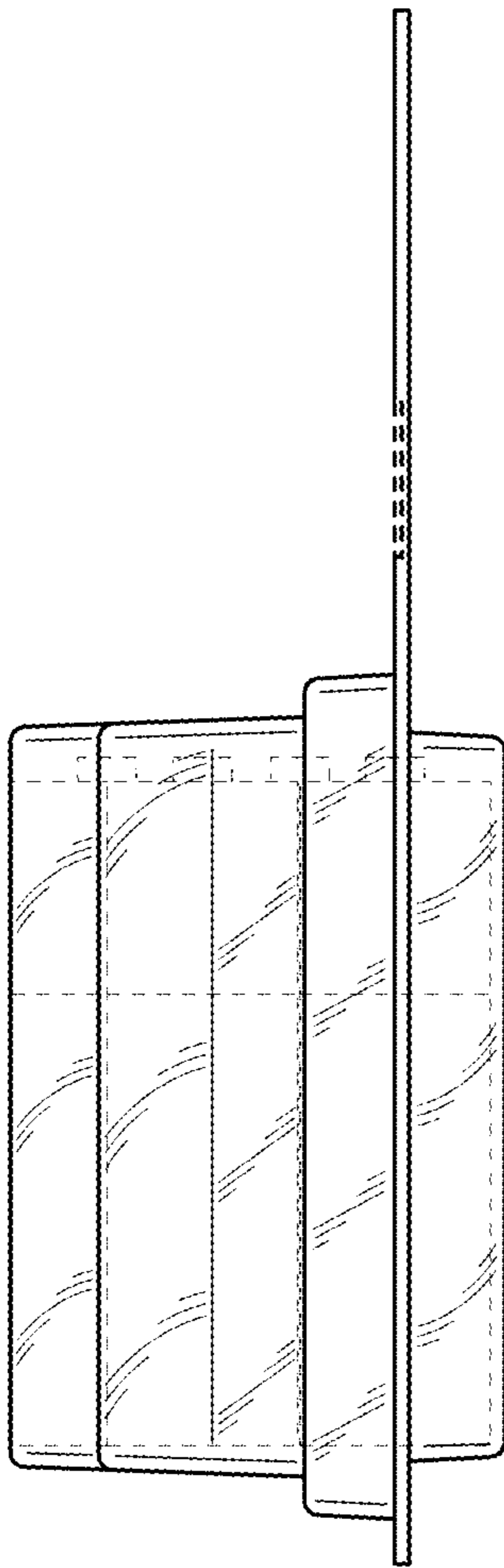


FIG. 21

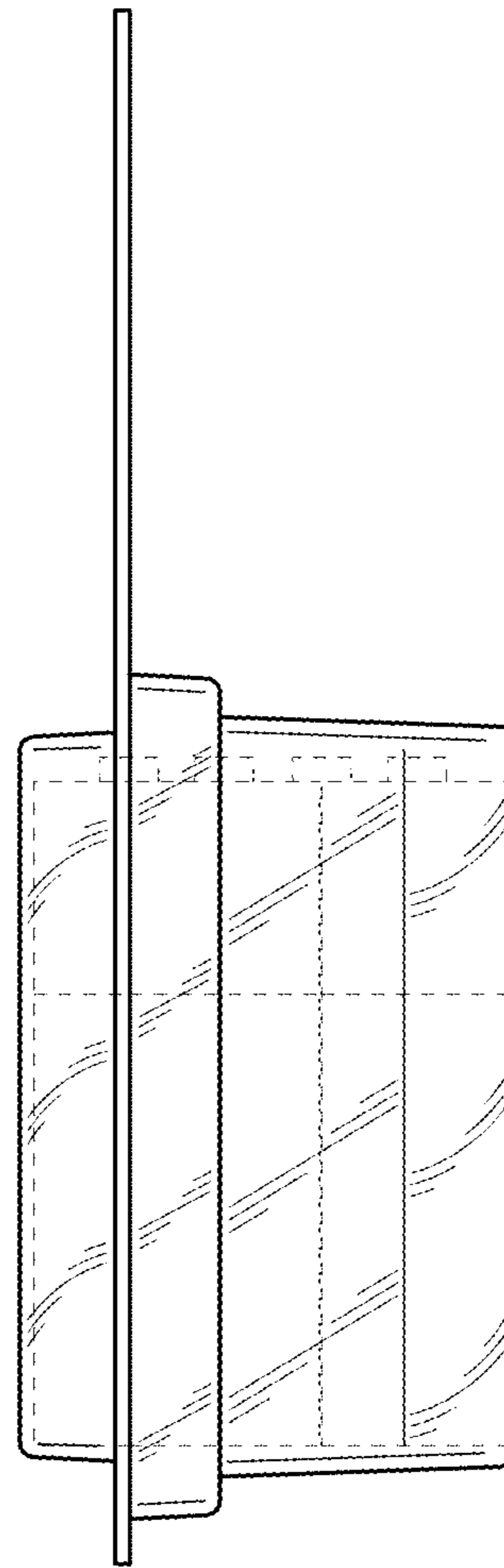


FIG. 22

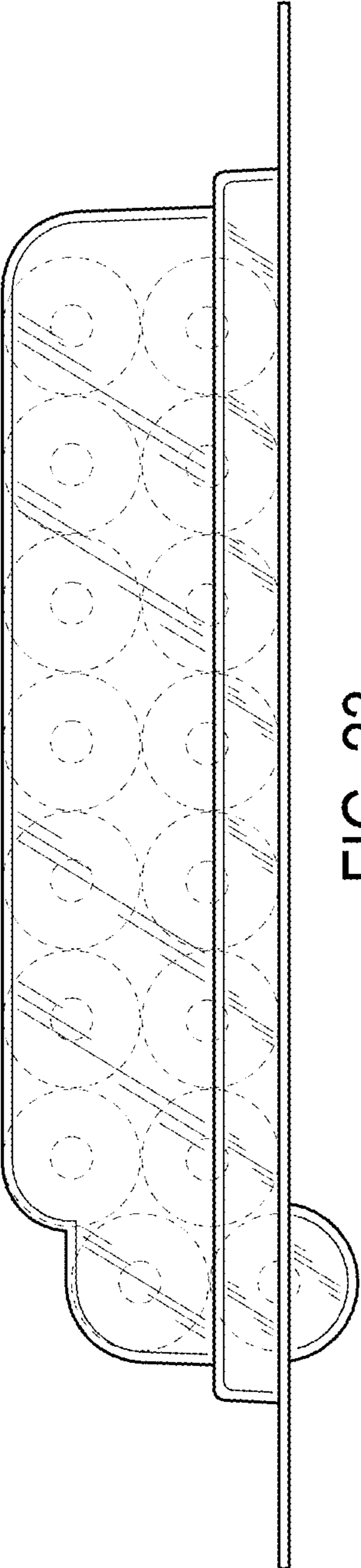


FIG. 23

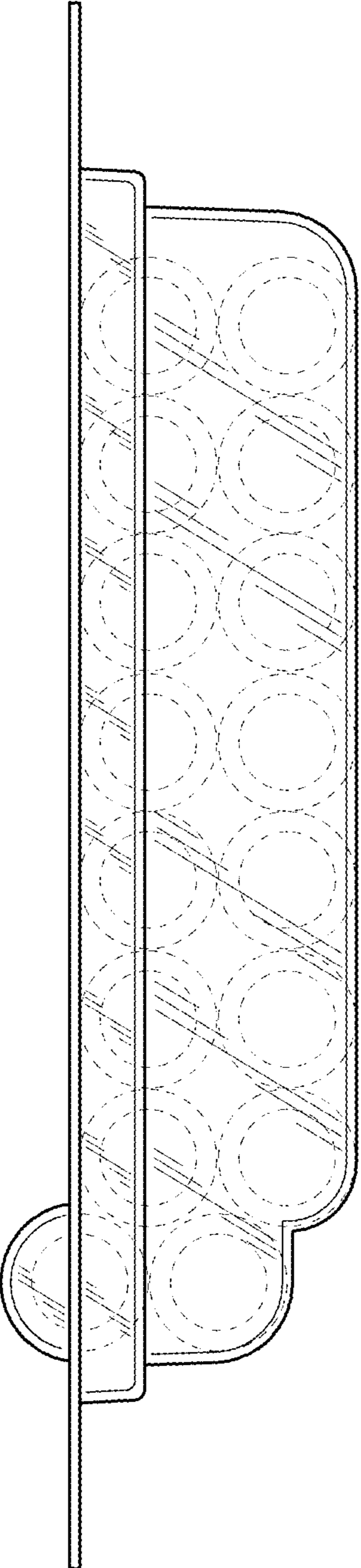


FIG. 24