



US00D880285S

(12) **United States Design Patent** (10) **Patent No.:** **US D880,285 S**
Olenick (45) **Date of Patent:** **** Apr. 7, 2020**

(54) **CLIP-ON BONDING WASHER** 3,810,069 A 5/1974 Jaconette
3,903,671 A * 9/1975 Cuin E04F 13/0803
52/480
(71) Applicant: **HUBBELL INCORPORATED,** 3,992,897 A 11/1976 Loos
Shelton, CT (US) D280,973 S 10/1985 Ferrell
(72) Inventor: **Thomas Edmund Olenick,** 4,993,959 A 2/1991 Randolph
Manchester, NH (US) D363,453 S 10/1995 Herdt
5,681,191 A 10/1997 Robicheau et al.
(73) Assignee: **Hubbell Incorporated,** Shelton, CT (US) (Continued)

(**) Term: **15 Years**
(21) Appl. No.: **29/679,854**
(22) Filed: **Feb. 11, 2019**

Related U.S. Application Data

(62) Division of application No. 29/627,491, filed on Nov. 28, 2017, now Pat. No. Des. 844,425, which is a division of application No. 29/539,273, filed on Sep. 11, 2015, now Pat. No. Des. 806,529, which is a division of application No. 29/450,142, filed on Mar. 15, 2013, now Pat. No. Des. 740,113.

(51) **LOC (12) Cl.** **08-08**
(52) **U.S. Cl.**
USPC **D8/399**
(58) **Field of Classification Search**
USPC D8/397, 394, 382, 349, 399; 411/427, 411/374
CPC A61B 17/0401; E04D 13/1476; E04G 25/065; F16B 41/002; F16B 23/0061; F16B 37/14; F16B 35/00
See application file for complete search history.

(56) **References Cited**

U.S. PATENT DOCUMENTS

881,757 A 3/1908 Winsor
1,857,488 A 5/1932 Leo
D220,424 S 4/1971 Hindenburg

OTHER PUBLICATIONS

Burndy/Wiley Wire Management; ACME Cable Clip page, (c) 2012 Burndy LLC.

(Continued)

Primary Examiner — Cynthia R Underwood
(74) *Attorney, Agent, or Firm* — Dickinson Wright PLLC

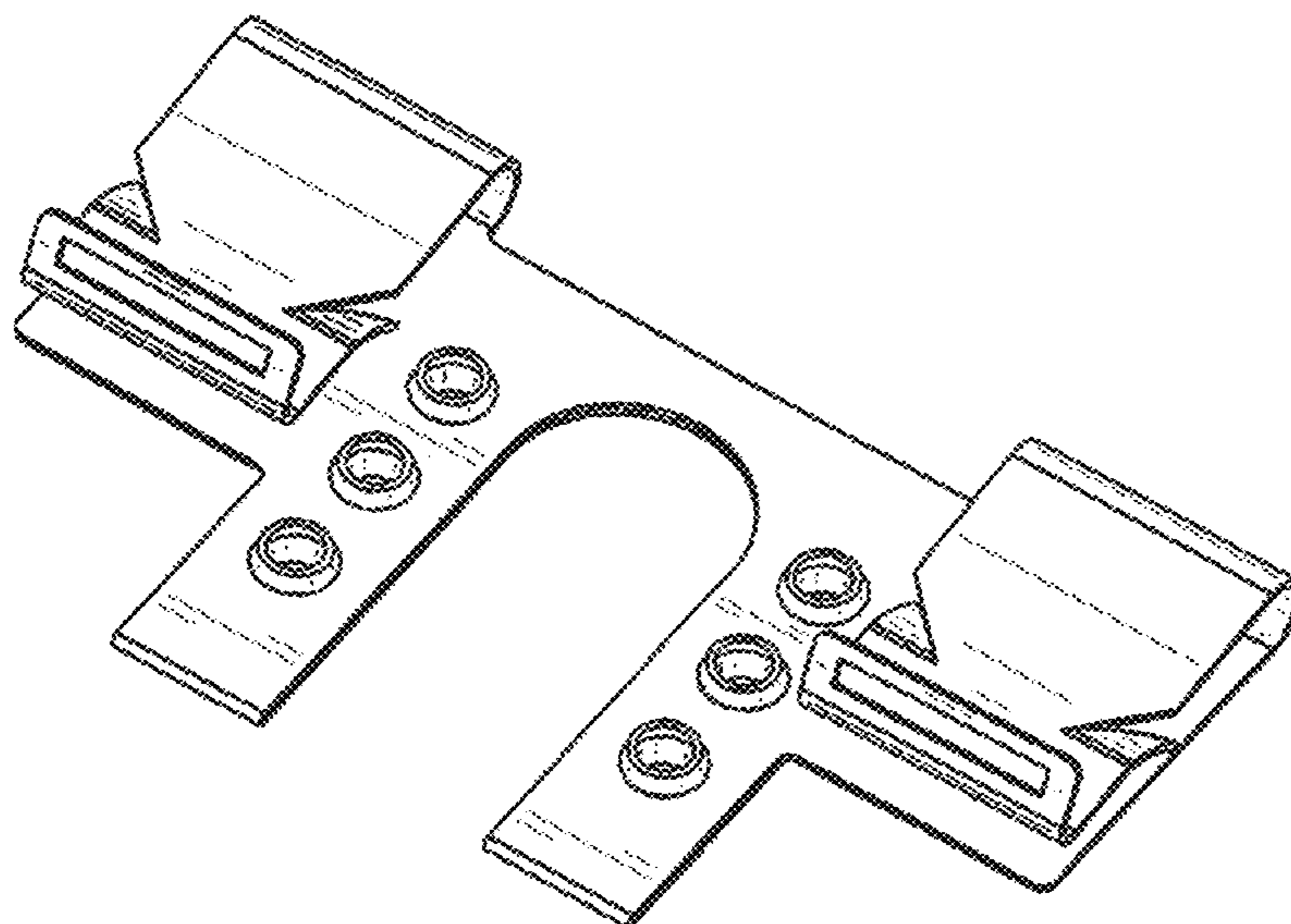
(57) **CLAIM**

The ornamental design for a clip-on bonding washer, as shown and described.

DESCRIPTION

FIG. 1 is a perspective view of a clip-on bonding washer according to a first embodiment of the invention, taken from the top, front and right side thereof;
FIG. 2 is a perspective view of the washer of FIG. 1 taken from the top, front and left side thereof;
FIG. 3 is a perspective view of the washer of FIG. 1 taken from the bottom, front and right side thereof;
FIG. 4 is a perspective view of the washer of FIG. 1 taken from the bottom, front and left side thereof;
FIG. 5 is a top plan view of the washer of FIG. 1;
FIG. 6 is a bottom plan view of the washer of FIG. 1;
FIG. 7 is a right side elevational view of the washer of FIG. 1, the opposite side being the mirror image of that shown;
FIG. 8 is a front elevational view of the washer of FIG. 1; and,
FIG. 9 is a rear elevational view of the washer of FIG. 1.

1 Claim, 4 Drawing Sheets



(56)

References Cited

U.S. PATENT DOCUMENTS

5,697,127 A * 12/1997 Tyler A45C 1/06
206/69
D414,744 S 10/1999 Surinak
6,106,310 A 8/2000 Davis
6,276,947 B1 8/2001 Homfeldt et al.
D459,302 S 6/2002 Malin
6,457,218 B1 10/2002 Lawrence
7,128,583 B2 10/2006 Tsuo
D539,291 S * 3/2007 Li D14/447
D552,462 S 10/2007 Boyd et al.
D570,247 S 6/2008 Hajianpour
D577,977 S 10/2008 Hernandez
D581,311 S * 11/2008 Cornett D11/78.1
D597,827 S 8/2009 Brassard
D615,497 S 5/2010 Woodward
D629,364 S 12/2010 Smith
D651,569 S 1/2012 Kiely
8,092,129 B2 1/2012 Wiley
D657,316 S 4/2012 Kiely
D668,214 S 10/2012 O'Brien
D674,274 S 1/2013 Gasparino
D696,570 S 12/2013 Mirer et al.
D707,545 S 6/2014 Schopf

D710,741 S * 8/2014 Hirschorn D11/78.1
D711,284 S * 8/2014 Crumbley D11/215
D715,630 S 10/2014 Szymanski
D715,631 S 10/2014 Szymanski
D715,686 S 10/2014 Crafton et al.
D716,137 S 10/2014 Szymanski
D716,138 S 10/2014 Szymanski
D737,564 S * 9/2015 Hamilton D2/976
D756,208 S 5/2016 Downs
D756,211 S 5/2016 Downs
D786,042 S 5/2017 Bridges
9,826,810 B2 11/2017 Singer
D818,357 S 5/2018 Cummings
2002/0166497 A1 * 11/2002 Rae B42D 9/005
116/237
2008/0053517 A1 * 3/2008 Plaisted H01R 4/64
136/251
2017/0363124 A1 * 12/2017 Brown F16B 2/12

OTHER PUBLICATIONS

Burndy/Wiley WEEB Installation Instructions; WEEB-9.5 and WEEB-935 NL, (c) 2012 Burndy LLC.

* cited by examiner

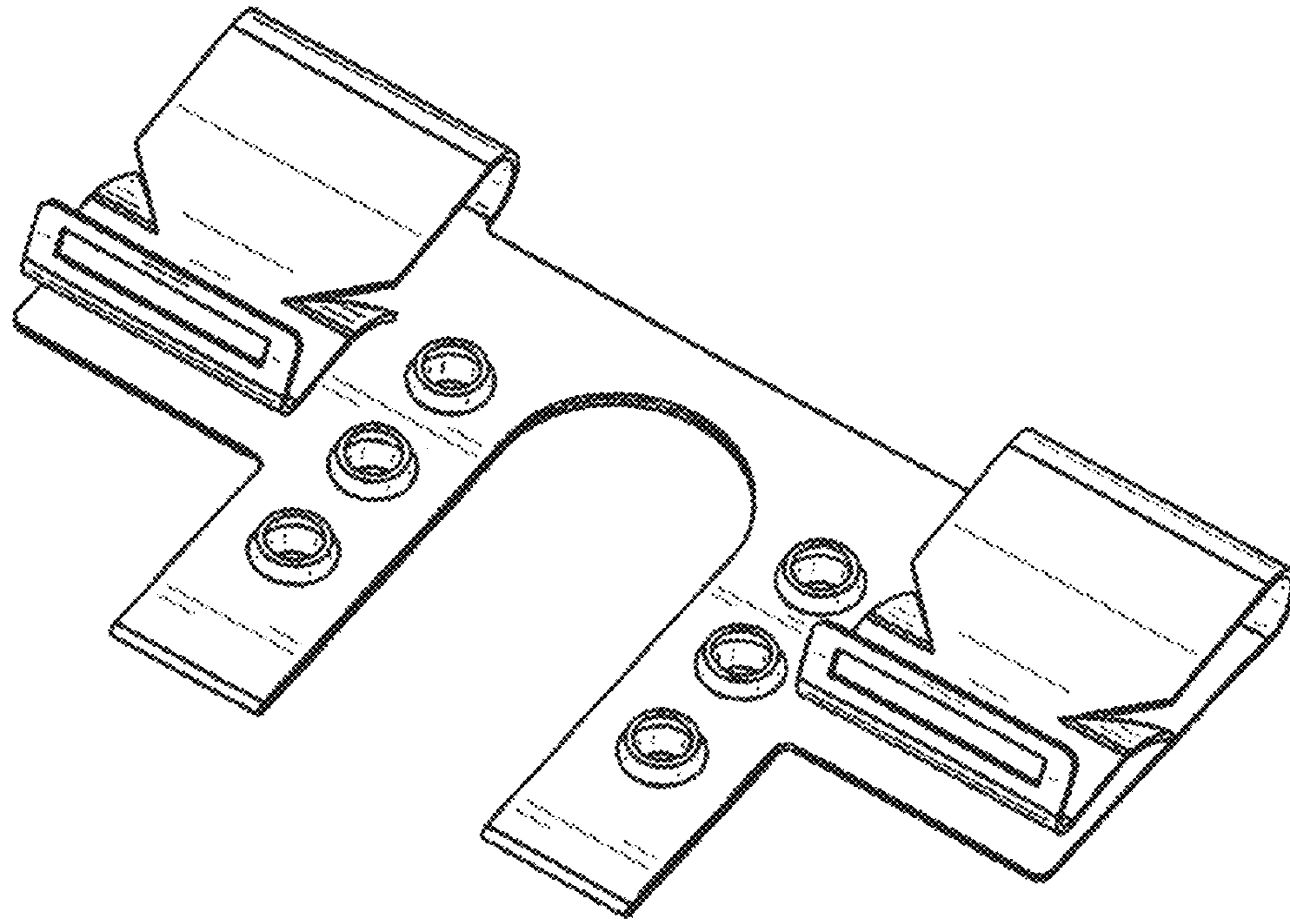


FIG. 1

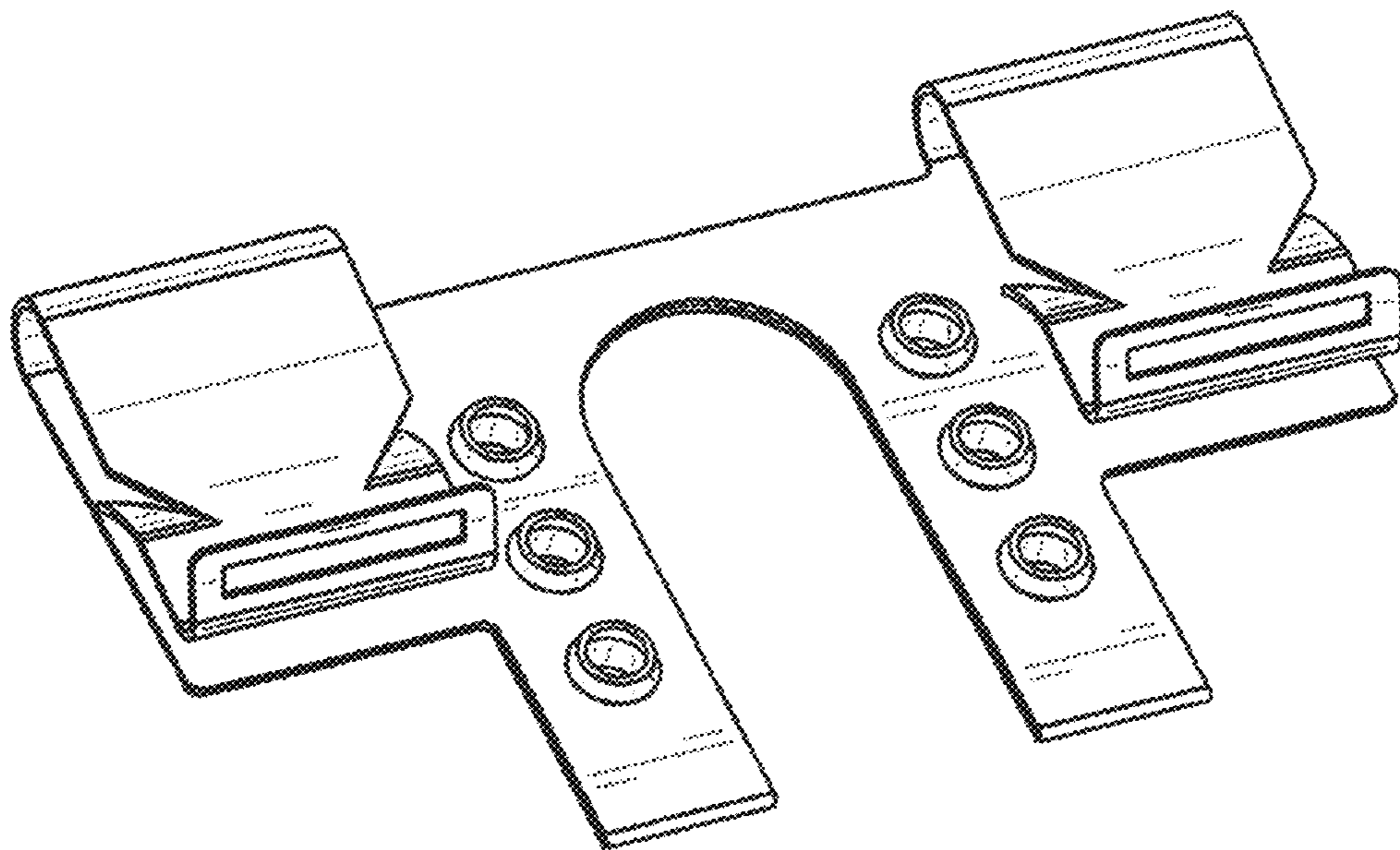


FIG. 2

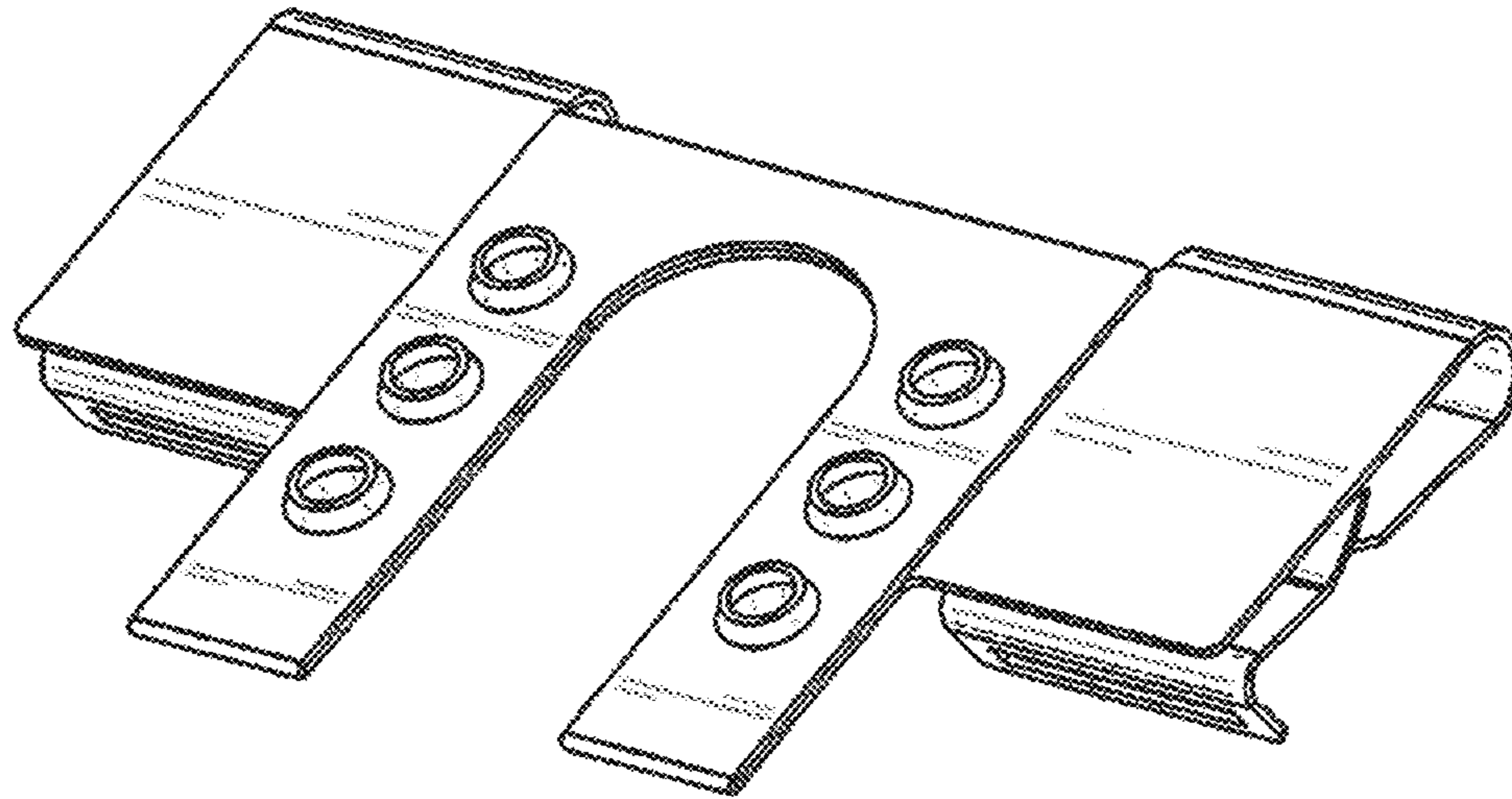


FIG. 3

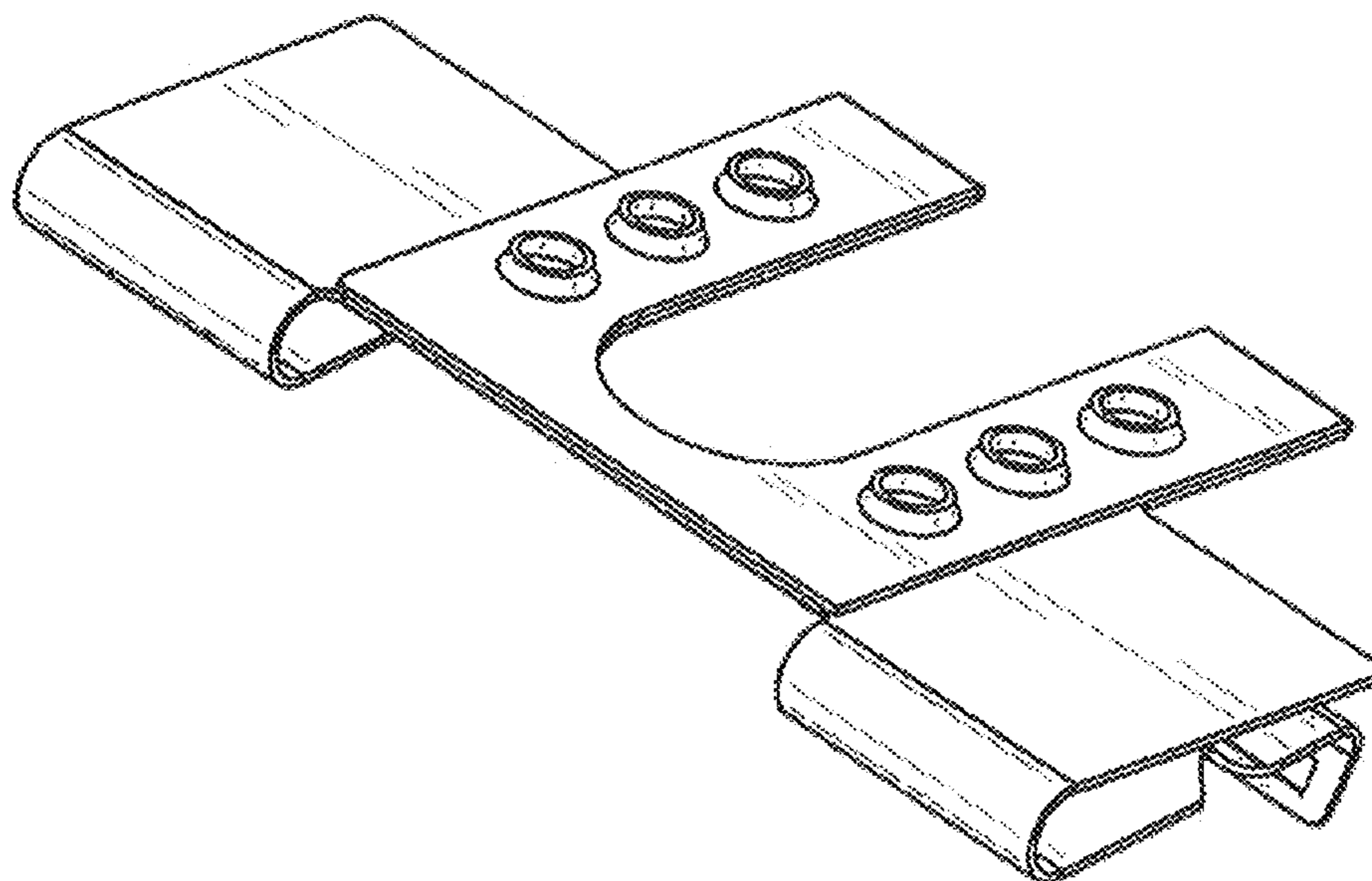


FIG. 4

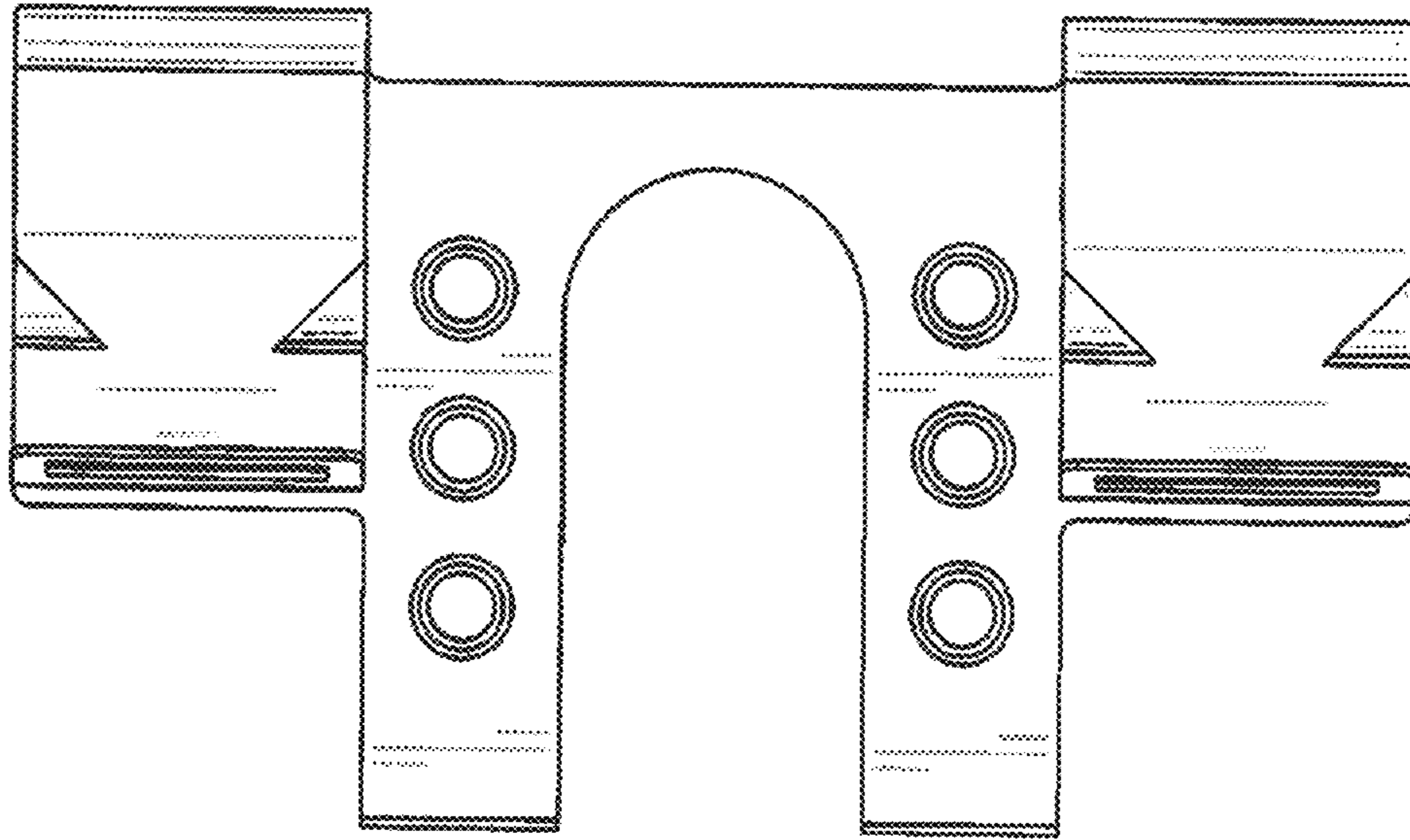


FIG. 5

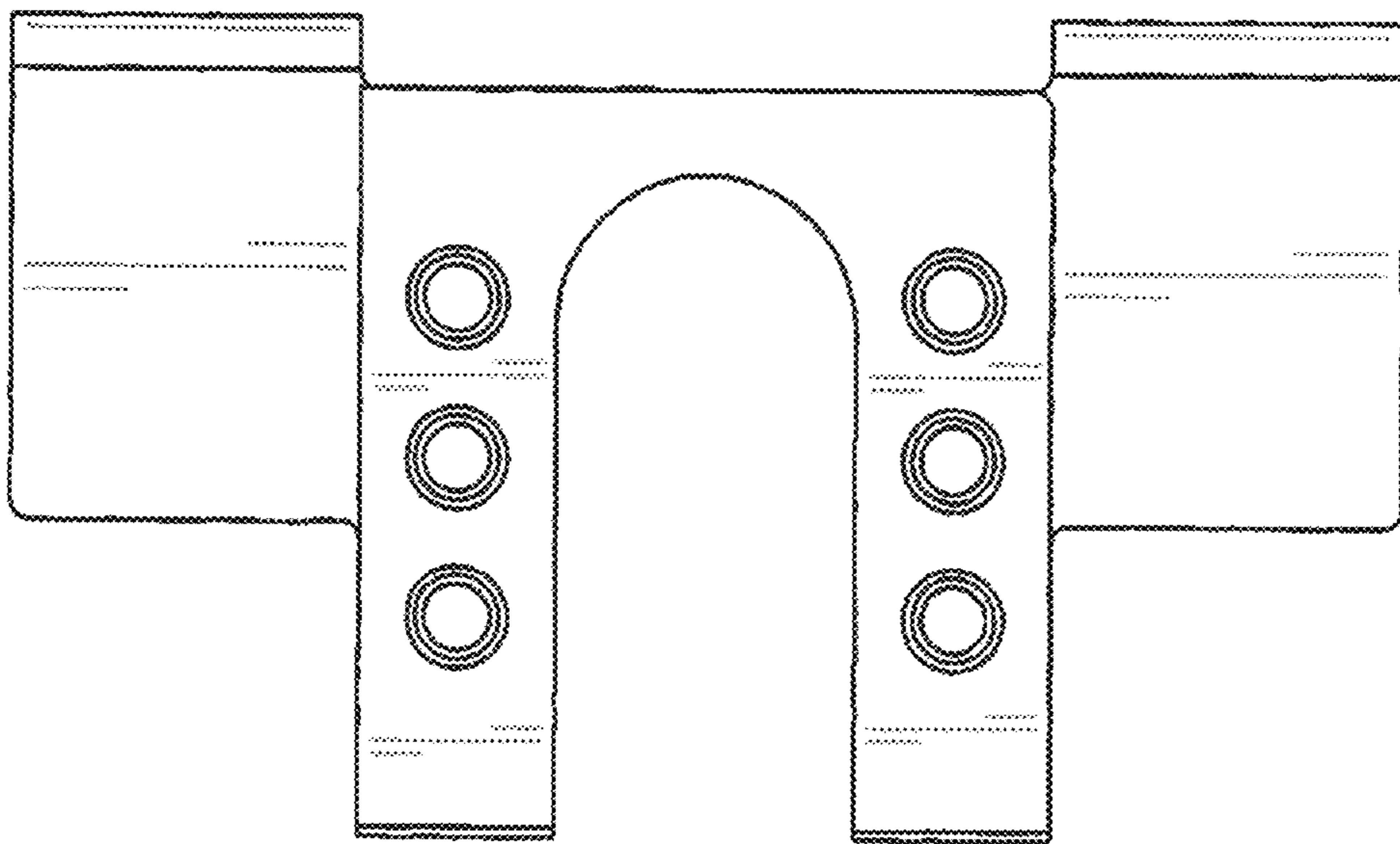


FIG. 6

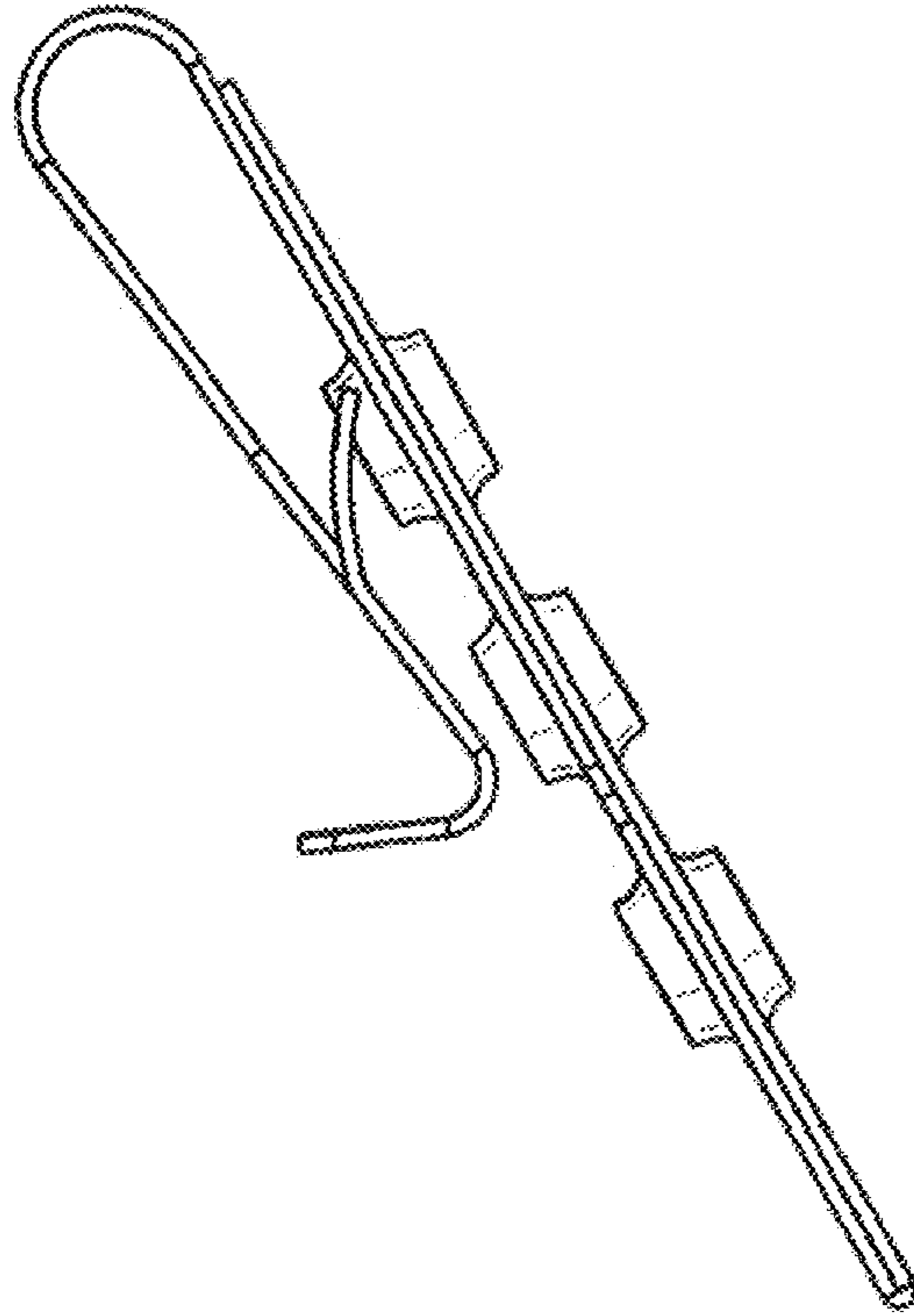


FIG. 7



FIG. 8



FIG. 9