



US00D880284S

(12) **United States Design Patent**  
**Ferraro**

(10) **Patent No.:** **US D880,284 S**

(45) **Date of Patent:** **\*\* Apr. 7, 2020**

(54) **FACE SEAL FITTING NUT**

(71) Applicant: **Swagelok Company**

(72) Inventor: **Matthew Ferraro**, Macedonia, OH  
(US)

(73) Assignee: **SWAGELOK COMPANY**, Solon, OH  
(US)

(\*\*) Term: **15 Years**

(21) Appl. No.: **29/683,031**

(22) Filed: **Mar. 11, 2019**

(51) **LOC (12) Cl.** ..... **08-08**

(52) **U.S. Cl.**  
USPC ..... **D8/397**

(58) **Field of Classification Search**  
USPC ..... 411/295, 393; D8/397, 394, 382, 349  
CPC ..... F16B 31/02; F16B 41/002; F16B 23/0061  
See application file for complete search history.

(56) **References Cited**

**U.S. PATENT DOCUMENTS**

- |               |         |         |       |                        |
|---------------|---------|---------|-------|------------------------|
| D23,917 S *   | 12/1894 | Lane    | ..... | D8/397                 |
| 1,029,775 A * | 6/1912  | Tobin   | ..... | F16B 39/10<br>411/191  |
| D57,407 S *   | 3/1921  | Walker  | ..... | D23/269                |
| 2,120,577 A * | 6/1938  | Schulte | ..... | F16B 13/0858<br>411/71 |
| D134,789 S *  | 1/1943  | Gade    | ..... | 411/276                |
| 2,552,794 A * | 5/1951  | Kimbell | ..... | F16B 37/02<br>411/427  |
| 2,727,551 A * | 12/1955 | Rees    | ..... | F16B 39/34<br>411/303  |
| D198,713 S *  | 7/1964  | Curtiss | ..... | D8/397                 |
| D218,674 S *  | 9/1970  | Ernest  | ..... | D8/387                 |
| D220,027 S *  | 3/1971  | Myers   | ..... | D8/397                 |
| D223,187 S *  | 3/1972  | Wing    | ..... | D8/397                 |
| 3,702,628 A * | 11/1972 | Cosenza | ..... | F16B 39/36<br>411/280  |

- |               |         |               |       |                        |
|---------------|---------|---------------|-------|------------------------|
| D233,652 S *  | 11/1974 | Wing          | ..... | D8/397                 |
| 4,019,550 A * | 4/1977  | DeHaitre      | ..... | F16B 33/004<br>411/303 |
| D244,908 S *  | 7/1977  | Hatter et al. | ..... | D8/397                 |
- (Continued)

**FOREIGN PATENT DOCUMENTS**

KR 202008005468 11/2008

**OTHER PUBLICATIONS**

Swagelok brochure, VCR Metal Gasket Face Seal Fittings, pp. 1, 2 and 19, dated May 2018.

*Primary Examiner* — Cynthia R Underwood  
(74) *Attorney, Agent, or Firm* — Calfee, Halter & Griswold LLP

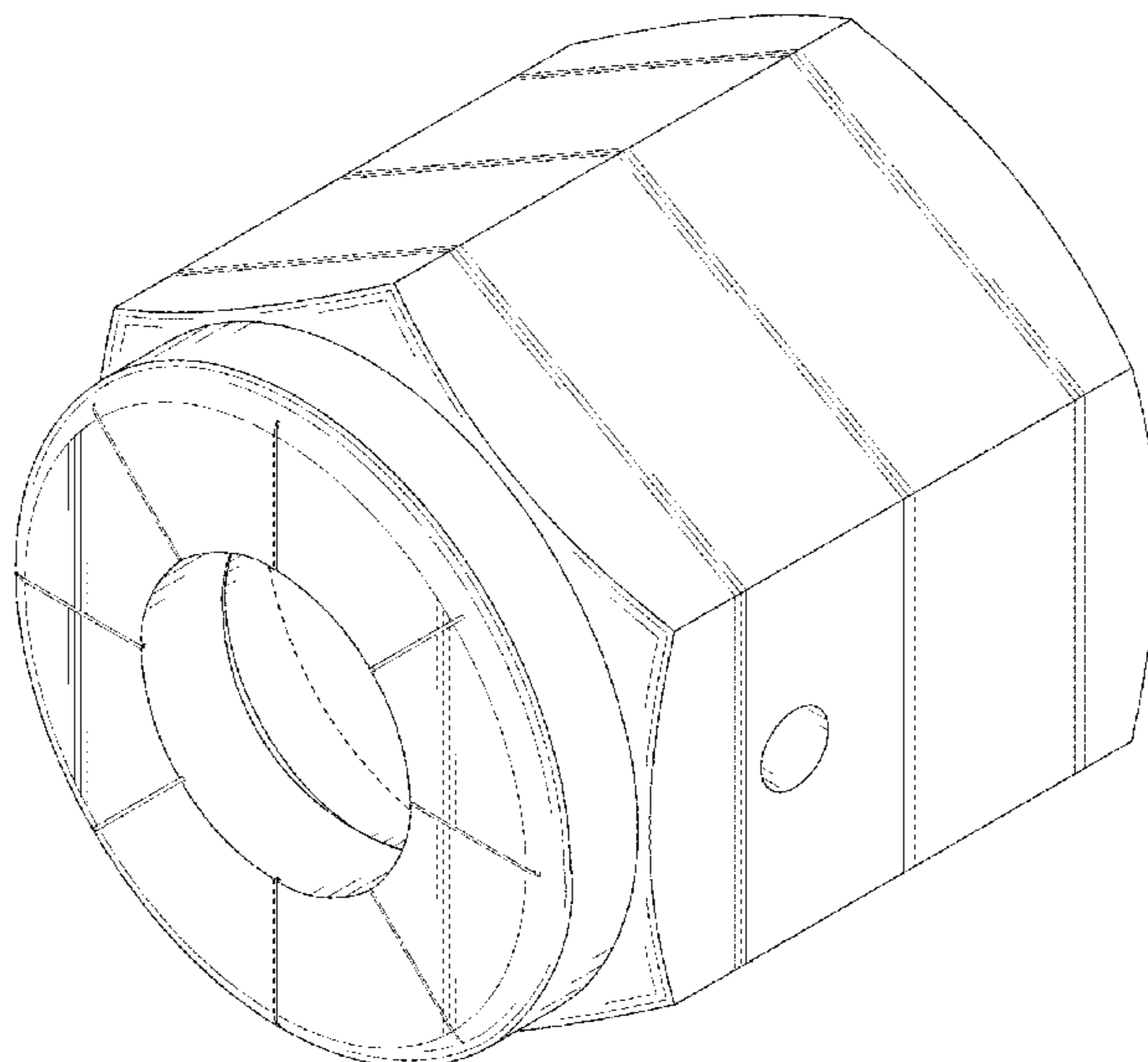
(57) **CLAIM**

I claim the ornamental design for a face seal fitting nut, as shown and described.

**DESCRIPTION**

FIG. 1 is a perspective view of a first embodiment of a face seal fitting nut;  
 FIG. 2 is a top plan view thereof;  
 FIG. 3 is a bottom plan view thereof;  
 FIG. 4 is a right side elevational view thereof, the left side elevational view being identical thereto; and  
 FIG. 5 is a front elevational view thereof, the rear elevational view being identical thereto.  
 FIG. 6 is a perspective view of a second embodiment of a face seal fitting nut;  
 FIG. 7 is a top plan view thereof;  
 FIG. 8 is a bottom plan view thereof;  
 FIG. 9 is a right side elevational view thereof, the left side elevational view being identical thereto; and,  
 FIG. 10 is a front elevational view thereof, the rear elevational view being identical thereto.  
 The broken lines represent environment that forms no part of the claim.

**1 Claim, 6 Drawing Sheets**



(56)

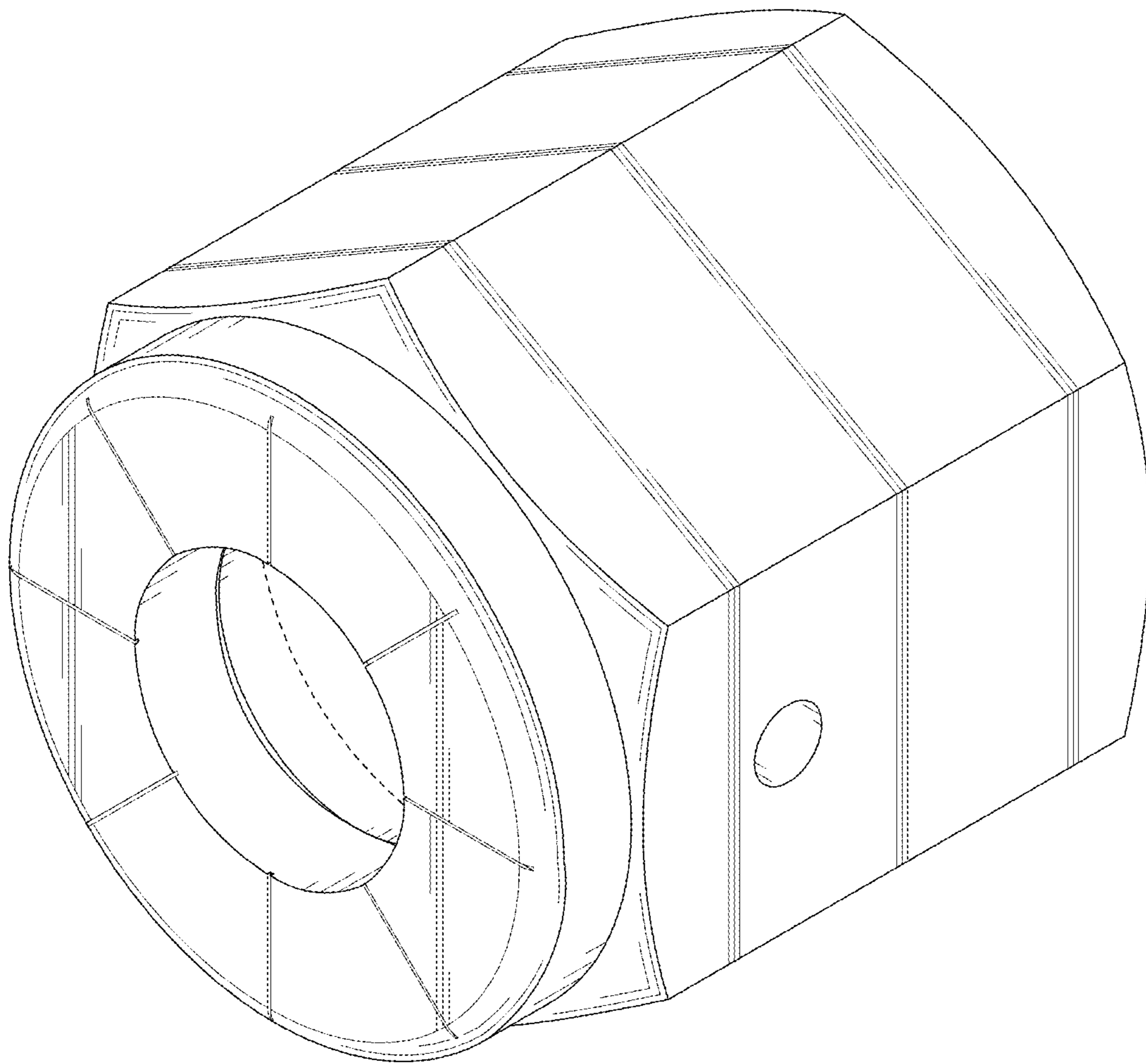
References Cited

U.S. PATENT DOCUMENTS

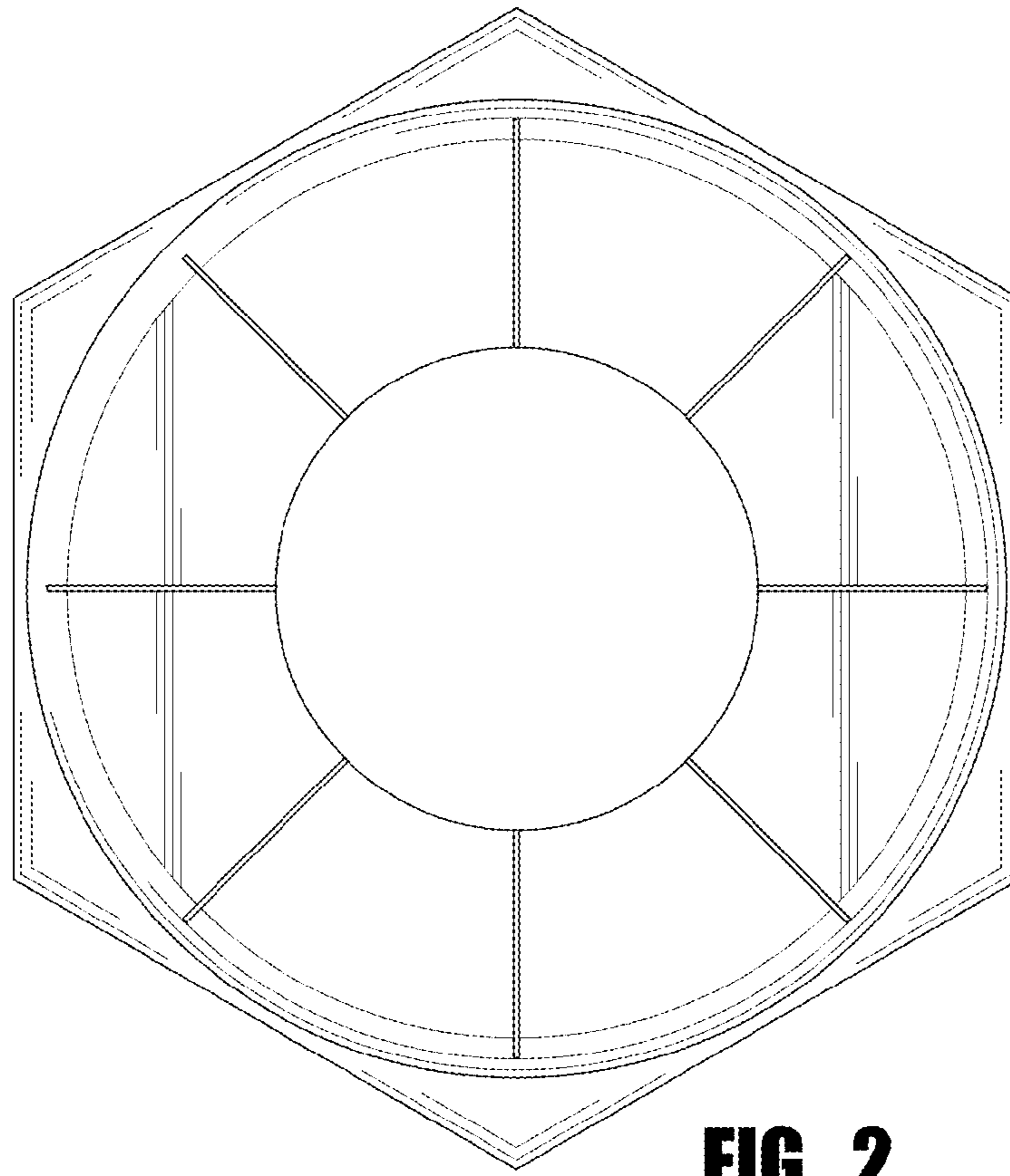
D244,909 S \* 7/1977 Gill ..... D8/397  
 D273,561 S \* 4/1984 Ozaki ..... D8/397  
 D281,953 S \* 12/1985 Newman ..... D8/397  
 D311,131 S \* 10/1990 Saito ..... D8/397  
 6,071,052 A \* 6/2000 Kerr ..... F16B 39/34  
 411/247  
 D446,111 S \* 8/2001 Hussaini ..... D8/29  
 D459,207 S \* 6/2002 Miyata ..... D8/397  
 D519,076 S \* 4/2006 Fox ..... D13/133  
 7,063,565 B2 \* 6/2006 Ward ..... 439/578  
 D532,684 S \* 11/2006 Barnes ..... D8/397  
 D535,259 S \* 1/2007 Rodrigues et al. .... D13/151  
 D539,129 S \* 3/2007 Griffiths ..... D8/382  
 D551,972 S \* 10/2007 Jacobs ..... D9/445  
 D581,777 S \* 12/2008 Huang ..... D8/397  
 D601,507 S \* 10/2009 Rodrigues ..... D13/133  
 8,007,216 B2 \* 8/2011 Ross ..... F16B 37/122  
 156/73.1  
 D644,673 S \* 9/2011 Drenth ..... D15/138  
 8,210,783 B2 \* 7/2012 Morrison ..... 411/9

D679,988 S \* 4/2013 Yamazaki ..... D8/397  
 D703,521 S \* 4/2014 Haynes ..... D8/397  
 D798,701 S \* 10/2017 Hill ..... F16B 35/00  
 D8/397  
 D802,407 S \* 11/2017 Foerster, Jr. .... D8/387  
 D802,410 S \* 11/2017 Felix ..... D8/397  
 D809,376 S \* 2/2018 Huang ..... D8/397  
 D825,322 S \* 8/2018 Sears ..... D8/397  
 D840,797 S \* 2/2019 Bentley ..... D8/397  
 D860,774 S \* 9/2019 Epstein ..... D8/397  
 D871,201 S \* 12/2019 Shinjo ..... D8/397  
 2003/0039527 A1 \* 2/2003 Schatz ..... 411/9  
 2003/0219325 A1 \* 11/2003 Schultz ..... F16B 37/125  
 411/178  
 2004/0136807 A1 \* 7/2004 Foerster, Jr. .... F16B 37/127  
 411/178  
 2005/0136735 A1 \* 6/2005 Rodrigues ..... H01R 9/0524  
 439/578  
 2006/0013671 A1 \* 1/2006 Lauderbaugh ..... F16B 37/127  
 411/178  
 2017/0122359 A1 \* 5/2017 Foerster, Jr. .... F16B 25/0084

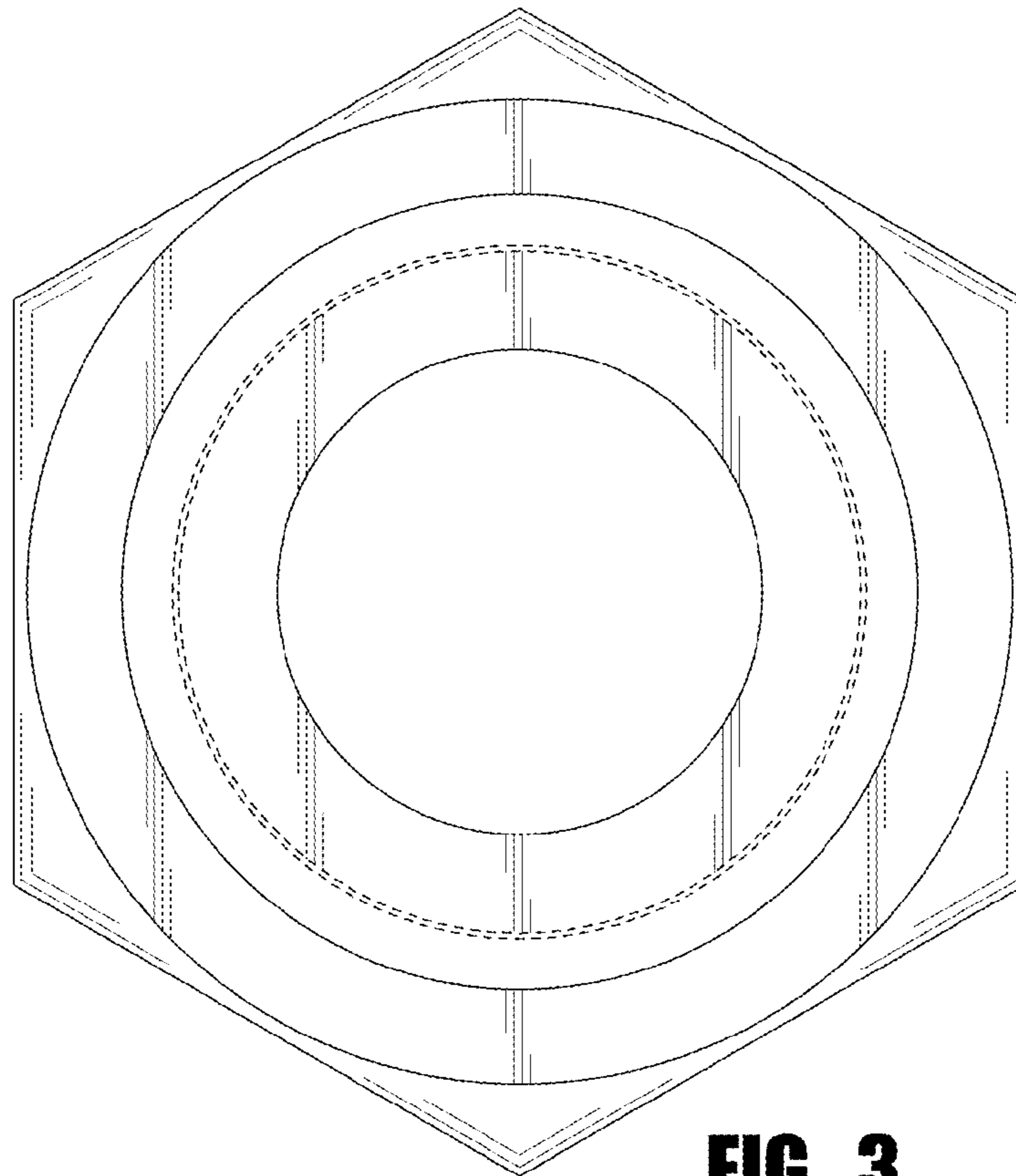
\* cited by examiner



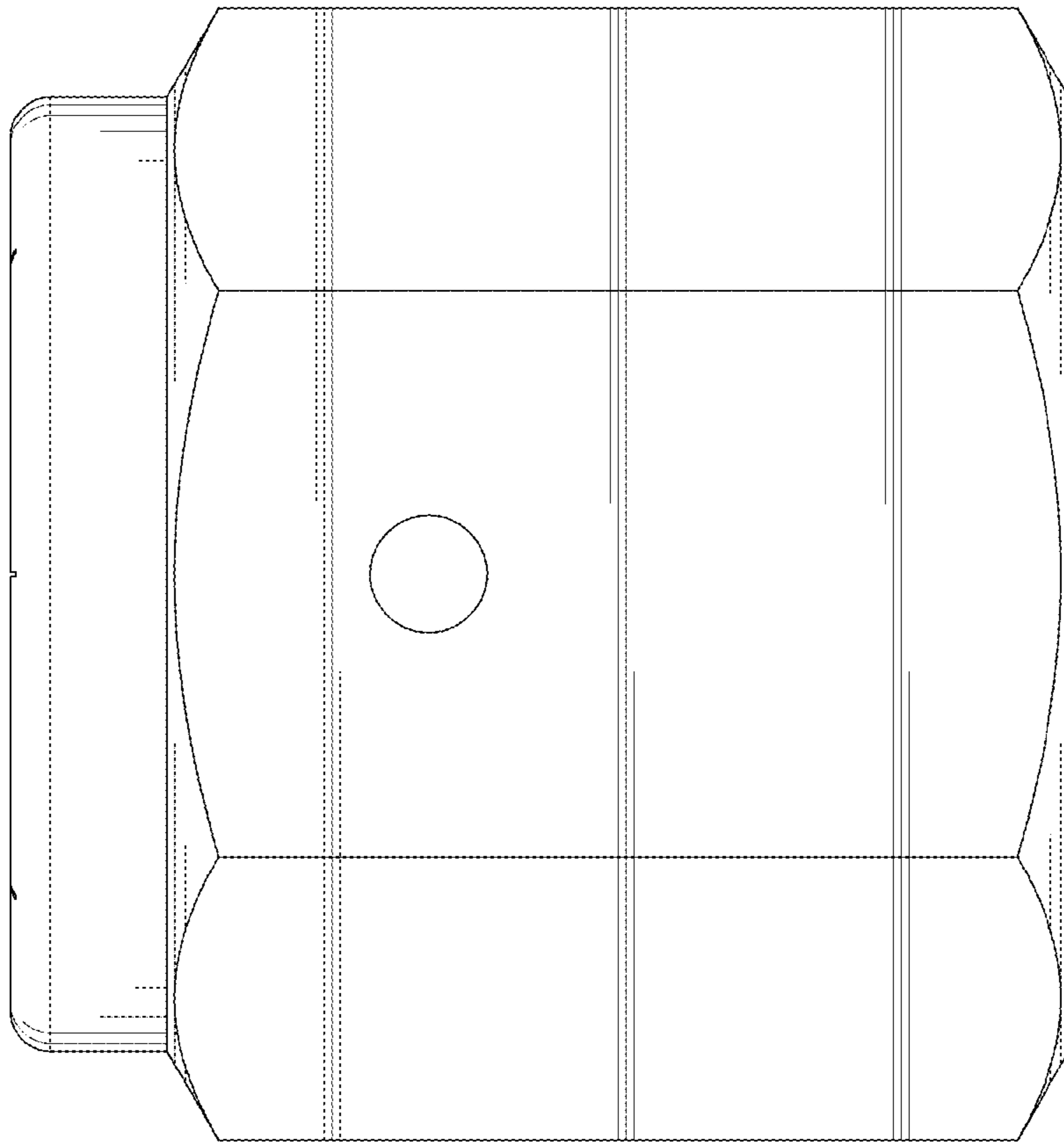
**FIG. 1**



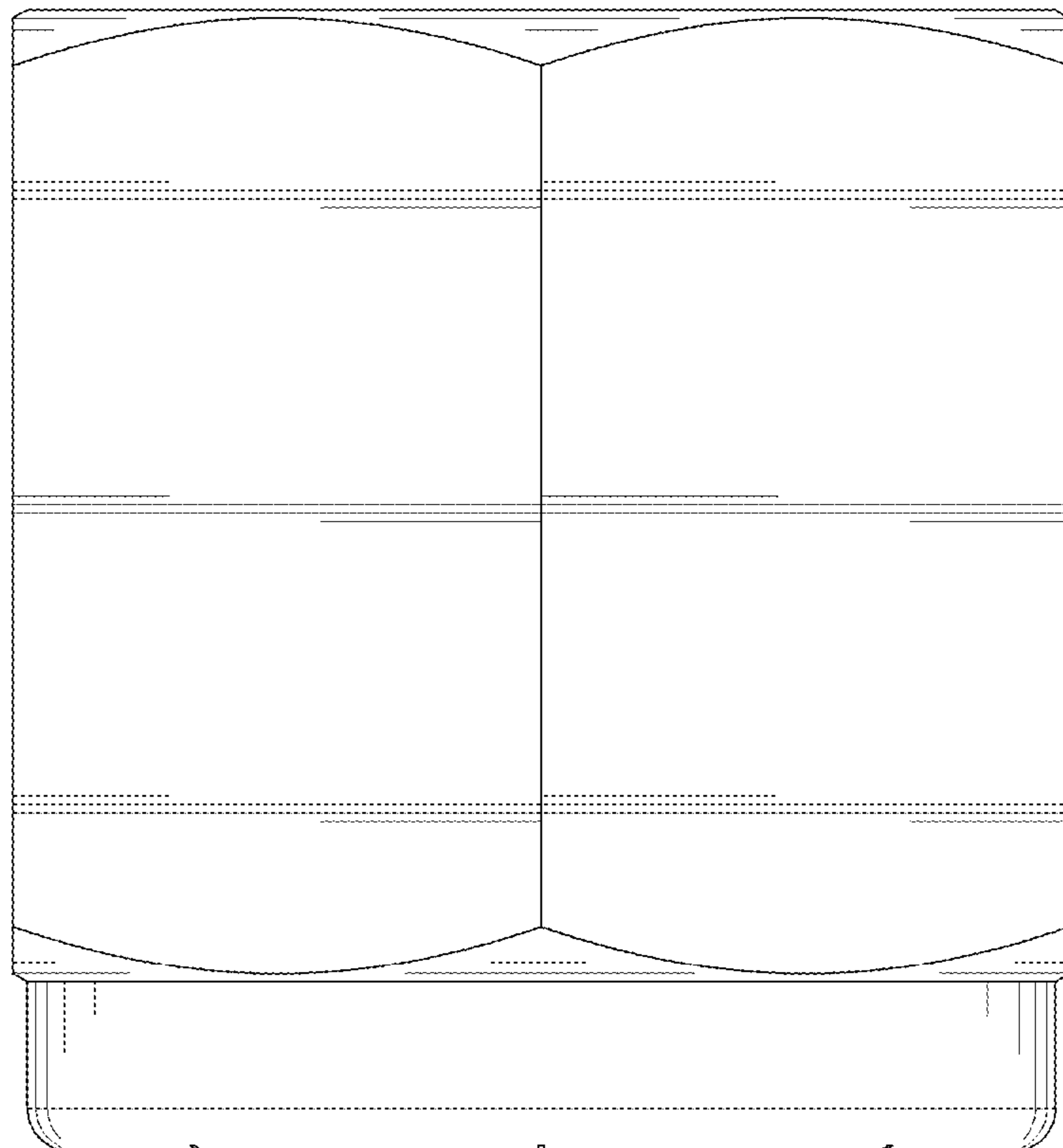
**FIG. 2**



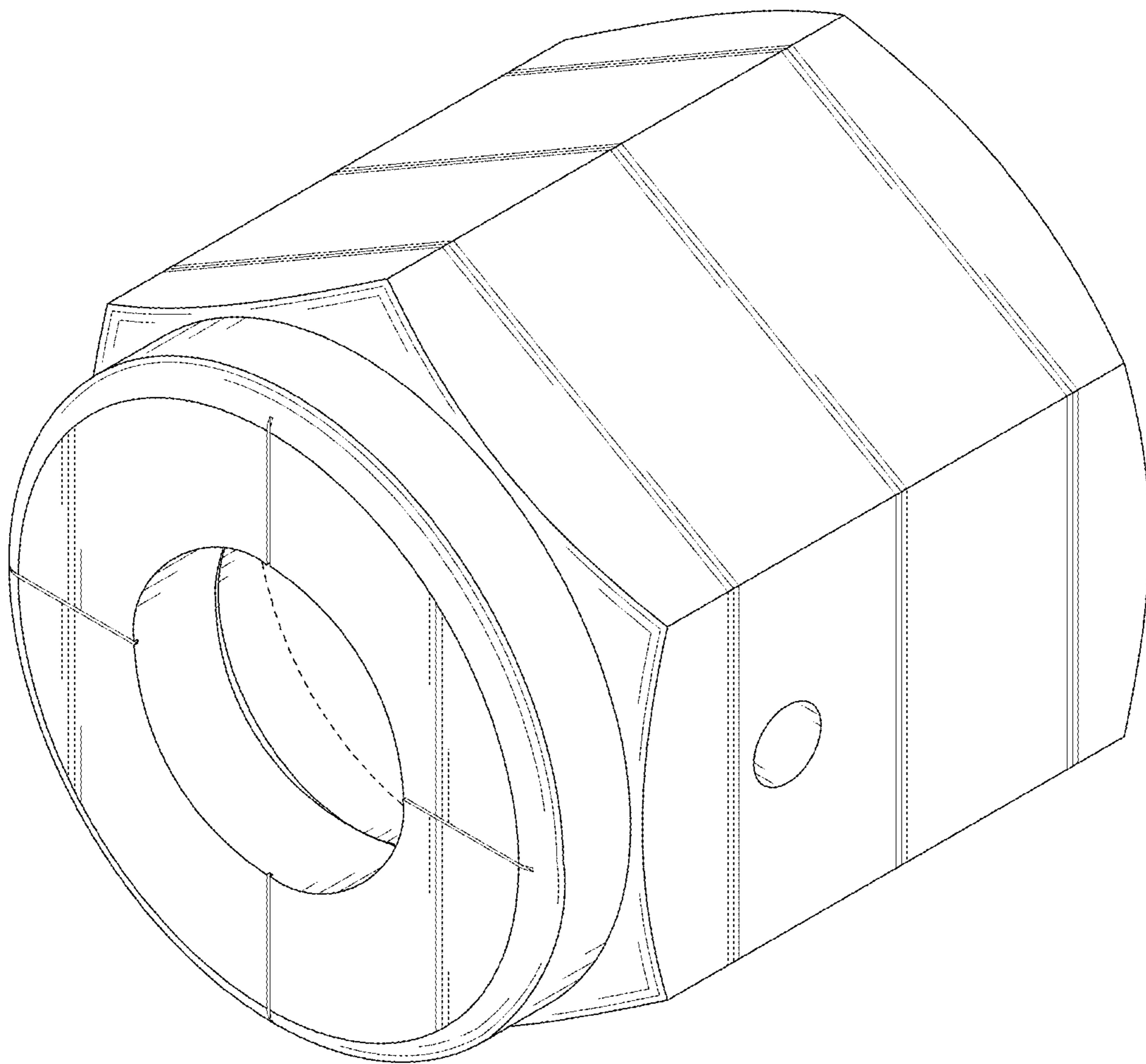
**FIG. 3**



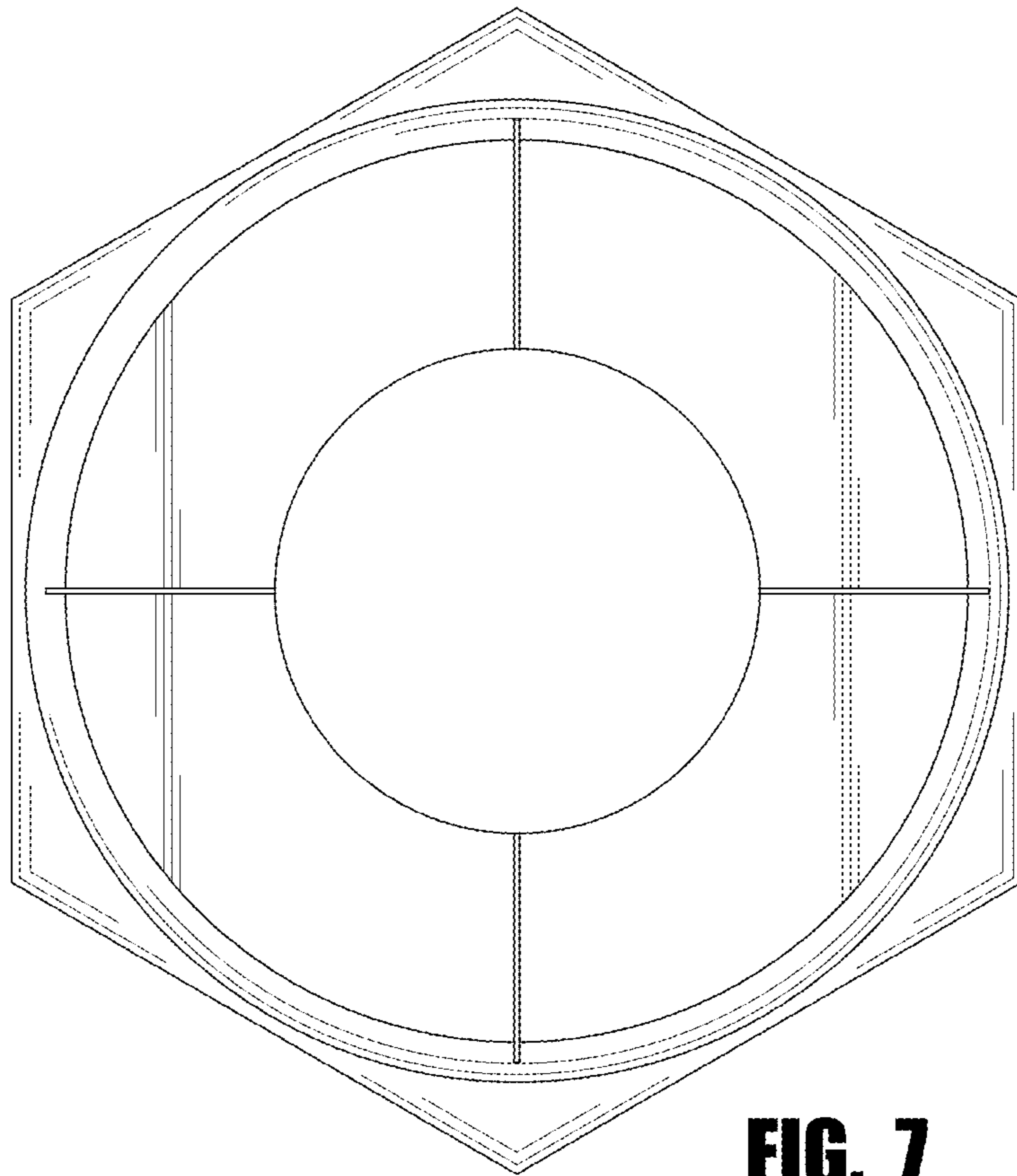
**FIG. 4**



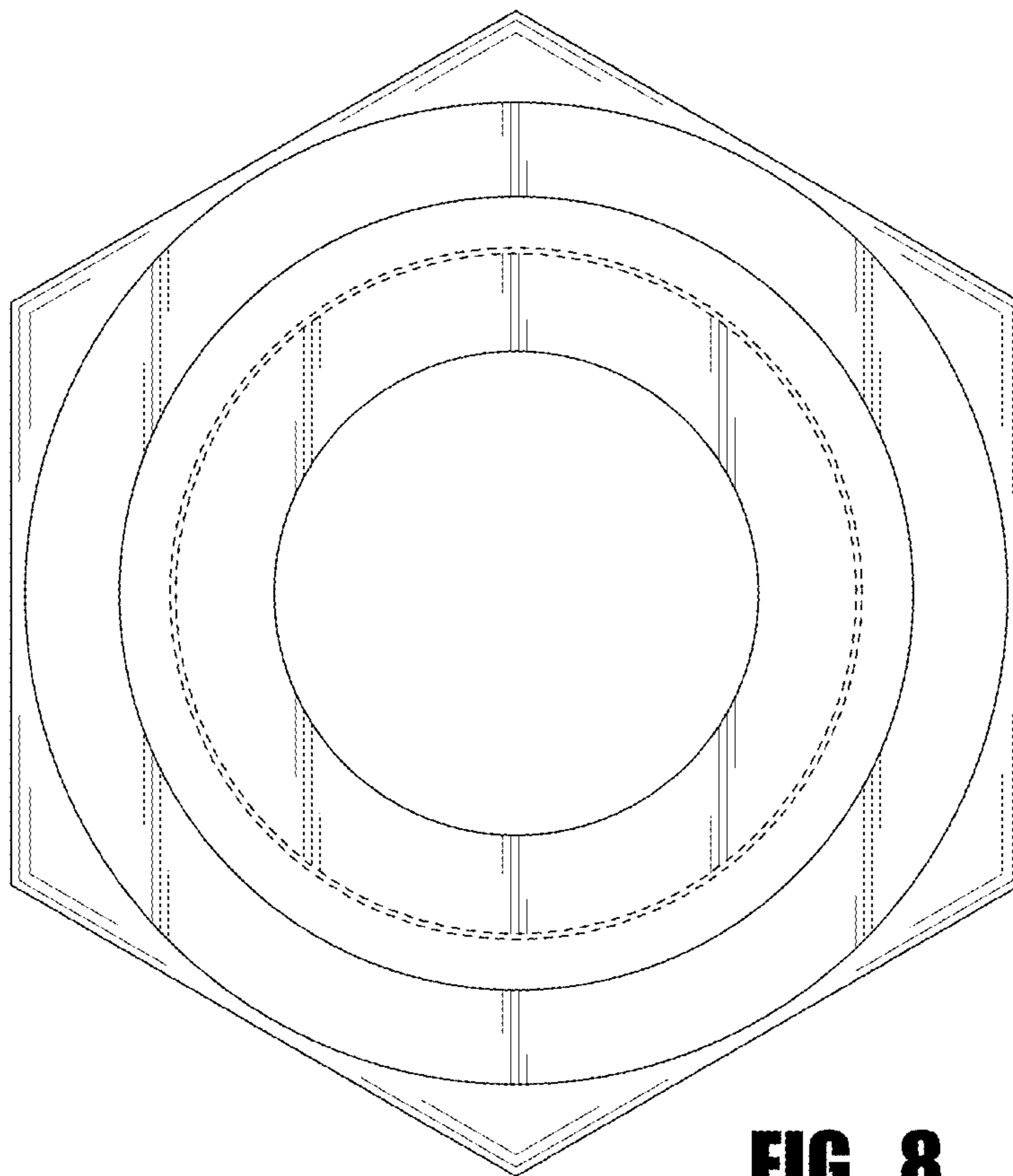
**FIG. 5**



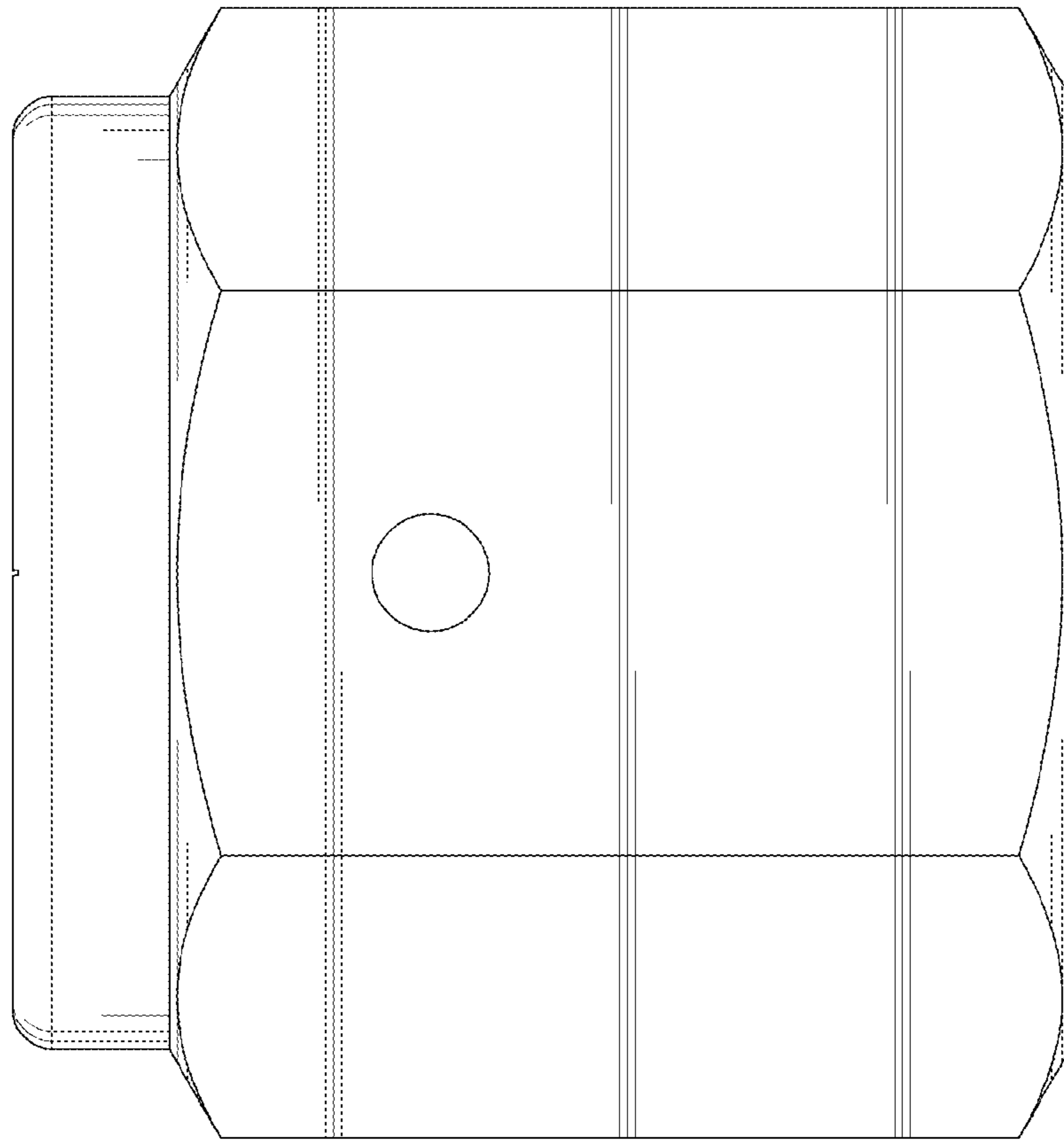
**FIG. 6**



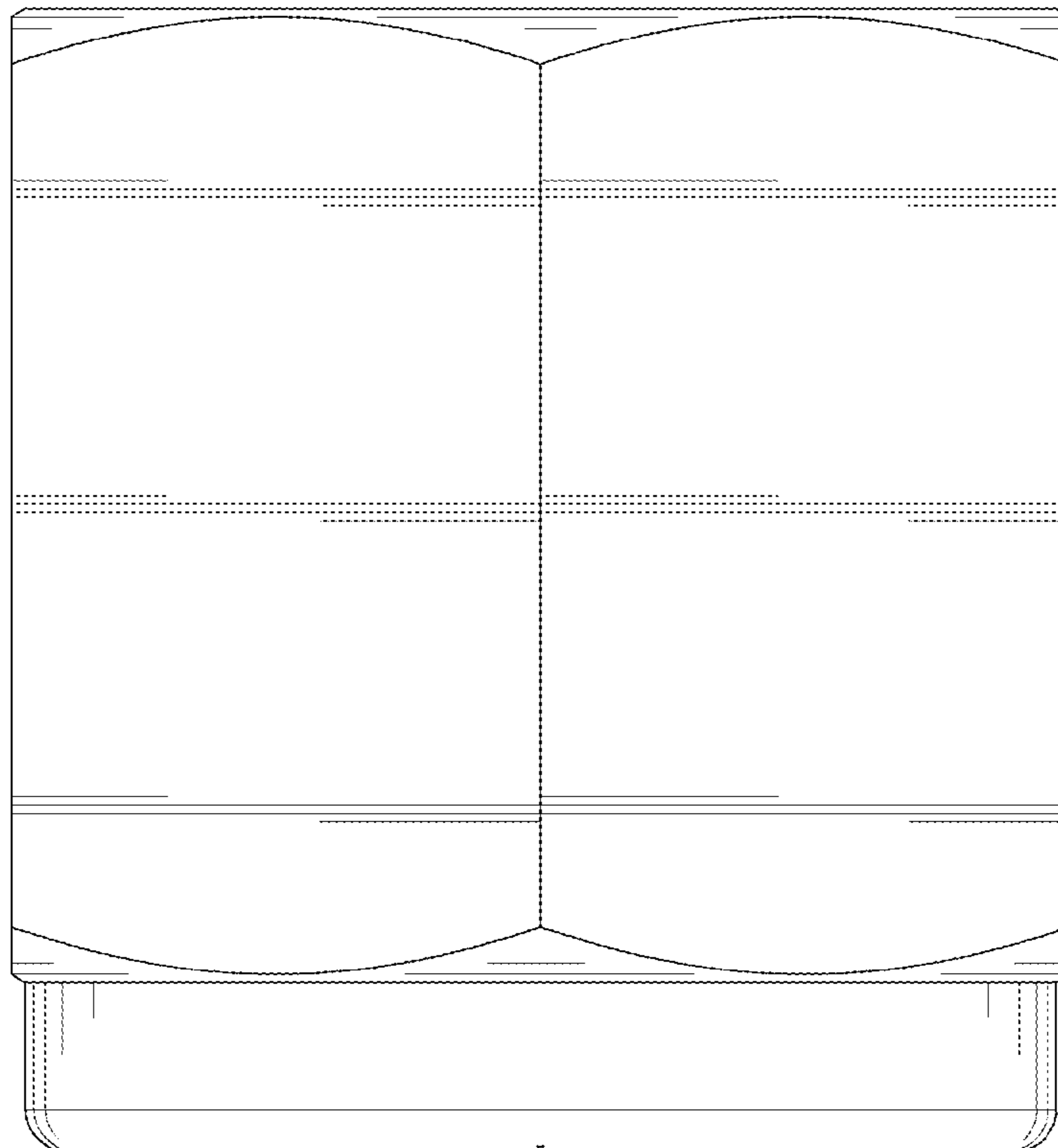
**FIG. 7**



**FIG. 8**



**FIG. 9**



**FIG. 10**