



US00D880283S

(12) **United States Design Patent**
Fawley

(10) **Patent No.:** **US D880,283 S**

(45) **Date of Patent:** **** Apr. 7, 2020**

(54) **LOCK NUT**

(71) Applicant: **R. Bradford Fawley**, Guilford, VT
(US)

(72) Inventor: **R. Bradford Fawley**, Guilford, VT
(US)

(**) Term: **15 Years**

(21) Appl. No.: **29/675,553**

(22) Filed: **Jan. 3, 2019**

(51) **LOC (12) Cl.** **08-08**

(52) **U.S. Cl.**
USPC **D8/397**

(58) **Field of Classification Search**
USPC 411/295, 393; D8/397, 394, 382, 349
CPC F16B 31/02; F16B 41/002; F16B 23/0061
See application file for complete search history.

(56) **References Cited**

U.S. PATENT DOCUMENTS

D134,789 S *	1/1943	Gade	411/276
2,440,944 A *	5/1948	Green	F16B 39/286
			411/282
D157,484 S *	2/1950	Gade	411/437
3,543,826 A *	12/1970	Forgaard	F16B 39/284
			411/284
D223,231 S *	4/1972	Miller	D8/385
3,693,495 A *	9/1972	Wagner	F16B 23/003
			411/377
D273,561 S *	4/1984	Ozaki	D8/397
5,324,149 A *	6/1994	Bainbridge	F16B 37/14
			411/377
5,810,532 A *	9/1998	Huang	F16B 37/14
			411/377
D484,785 S *	1/2004	Plumer	D8/397
D488,715 S *	4/2004	Plumer	D8/397
D513,380 S *	1/2006	Bruni	D8/397
D551,269 S *	9/2007	Burke, III	D15/139
D627,039 S *	11/2010	Yu	D23/260

D634,343 S *	3/2011	Burke, III	D15/139
D637,901 S *	5/2011	Hinton	D8/397
D648,006 S *	11/2011	Morishita	D23/259
D649,031 S *	11/2011	Rand	D8/397
D656,392 S *	3/2012	McKenna	D8/382
D669,968 S *	10/2012	Morishita	D23/259
D684,455 S *	6/2013	Relyea	D8/397
D713,715 S *	9/2014	Kury	D8/397
D721,423 S *	1/2015	Jacques	D23/260
D738,714 S *	9/2015	Kuhmichel	D8/397
D748,227 S *	1/2016	von Lepel	D23/260
D749,197 S *	2/2016	von Lepel	D23/260
D749,198 S *	2/2016	von Lepel	D23/260
D749,199 S *	2/2016	von Lepel	D23/260

(Continued)

Primary Examiner — Cynthia R Underwood

(74) *Attorney, Agent, or Firm* — Downs Rachlin Martin PLLC

(57) **CLAIM**

The ornamental design for a lock nut, as shown and described.

DESCRIPTION

FIG. 1 is a perspective view of a lock nut showing my new design;

FIG. 2 is a front view thereof;

FIG. 3 is a rear view thereof;

FIG. 4 is a right side view thereof;

FIG. 5 is a left side view thereof;

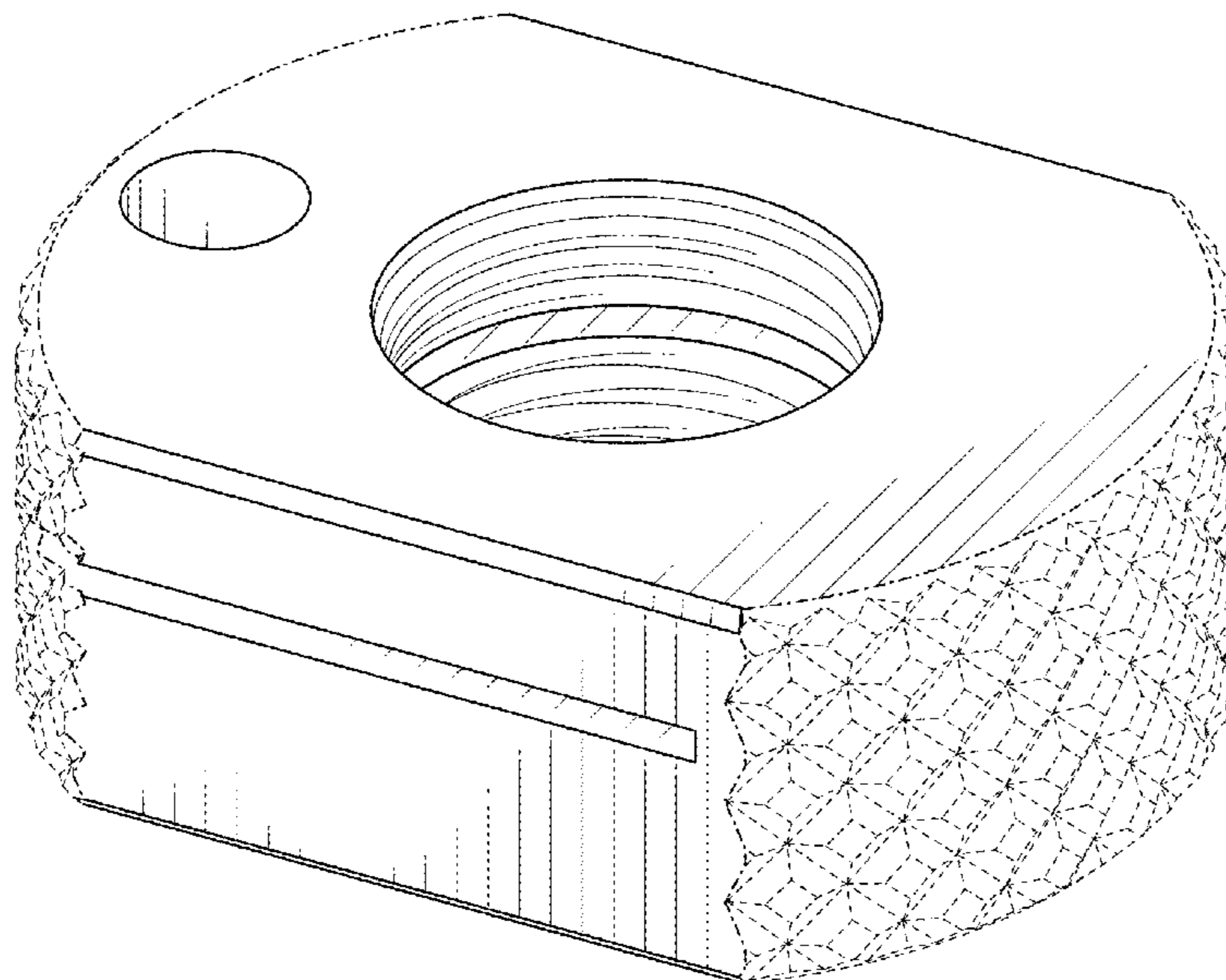
FIG. 6 is a top view thereof;

FIG. 7 is a bottom view thereof; and,

FIG. 8 is a cross-section view taken along line 8-8 of FIG. 6.

The broken lines in the Figures are for the purpose of illustrating unclaimed portions of the lock nut and form no part of the claimed design. The dash-dot-dash lines represent boundary lines. The shade lines in the Figures show contour and not surface ornamentation.

1 Claim, 4 Drawing Sheets



(56)

References Cited

U.S. PATENT DOCUMENTS

9,297,407 B2 * 3/2016 Pudvah F16B 41/002
9,322,426 B2 * 4/2016 Thomas F16B 31/02
D766,069 S * 9/2016 Miller D8/349
D766,075 S * 9/2016 Milbank D8/394
D769,690 S * 10/2016 Campbell, II F16B 23/003
D8/86
9,593,707 B2 * 3/2017 Weis F16B 37/14
9,624,962 B2 * 4/2017 Unseld F16B 37/00
D787,927 S * 5/2017 Baiz D8/397
D793,853 S * 8/2017 Baiz D8/397
D796,309 S * 9/2017 Cruz D8/397
D802,407 S * 11/2017 Foerster, Jr. D8/387
D805,382 S * 12/2017 Baiz D8/397
D806,528 S * 1/2018 Bada B25B 13/065
D8/397
10,030,930 B2 * 7/2018 Hill F41A 21/485
D834,929 S * 12/2018 Wang D8/382
D859,134 S * 9/2019 Iacono D8/382
D859,973 S * 9/2019 Foerster, Jr. D8/397
10,428,855 B2 * 10/2019 Rosen F16B 7/149
D871,201 S * 12/2019 Shinjo D8/397
2003/0068212 A1 * 4/2003 Wilson F16B 37/14
411/429
2009/0202318 A1 * 8/2009 Wang F16B 5/0208
411/295
2011/0123293 A1 * 5/2011 Matlock F16B 37/14
411/429
2012/0237316 A1 * 9/2012 Chiu F16B 5/0208
411/353
2015/0184687 A1 * 7/2015 Weis F16B 37/14
411/373

* cited by examiner

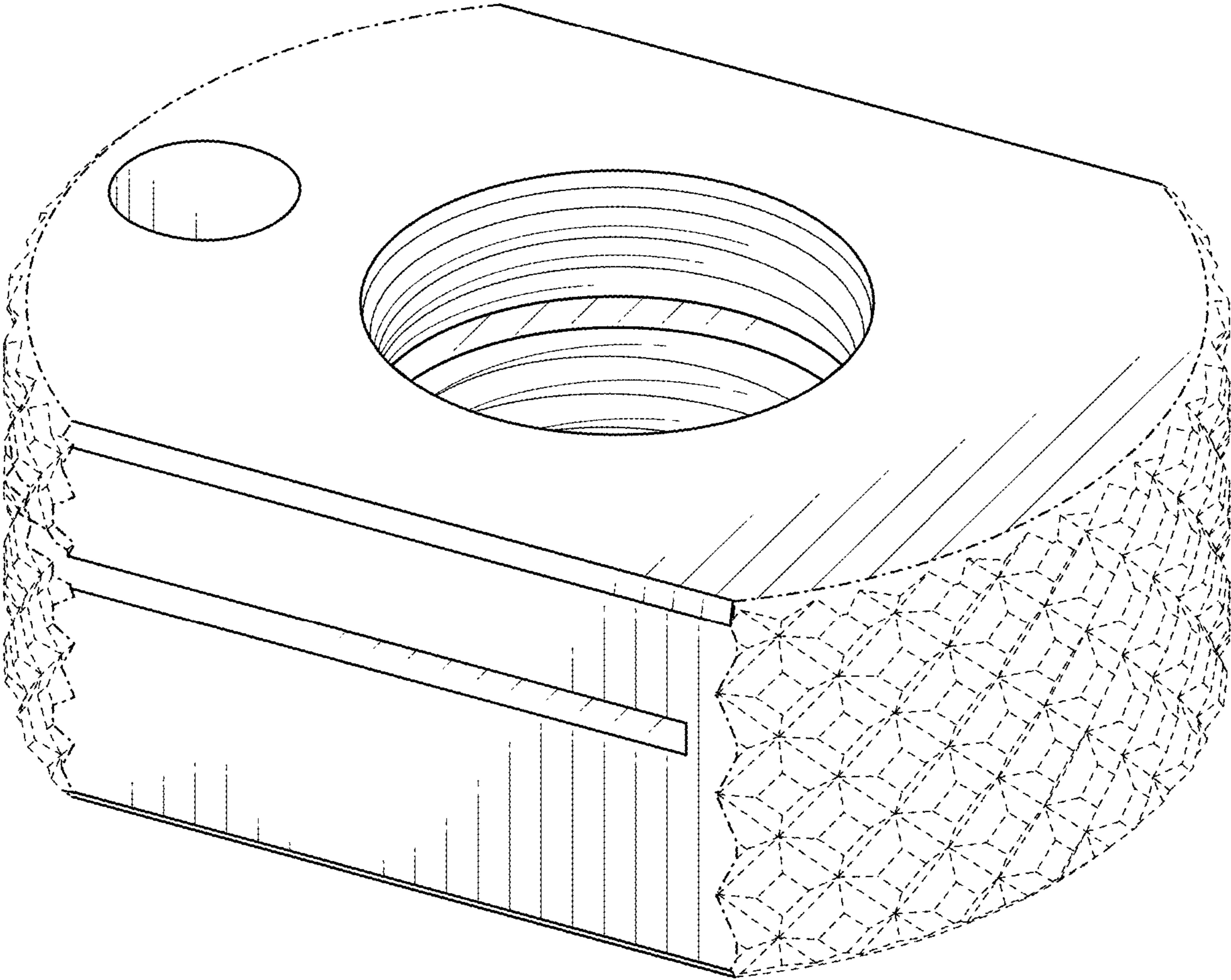


FIG. 1

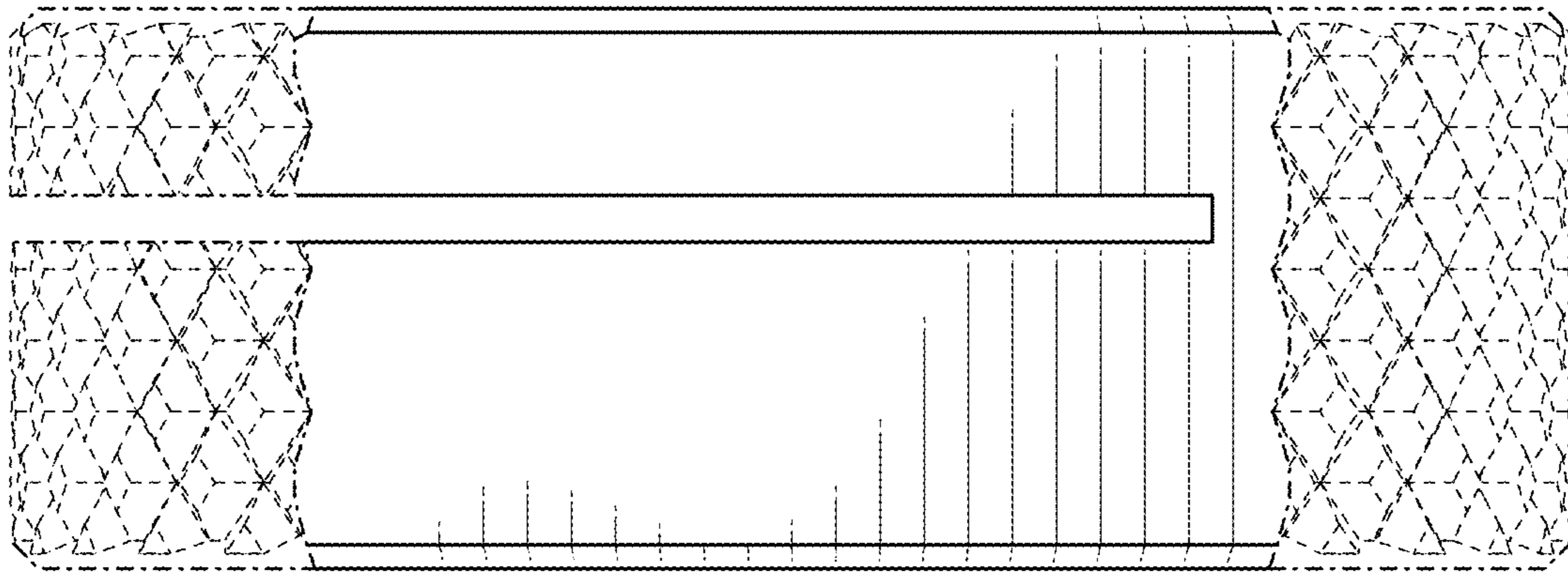


FIG. 2

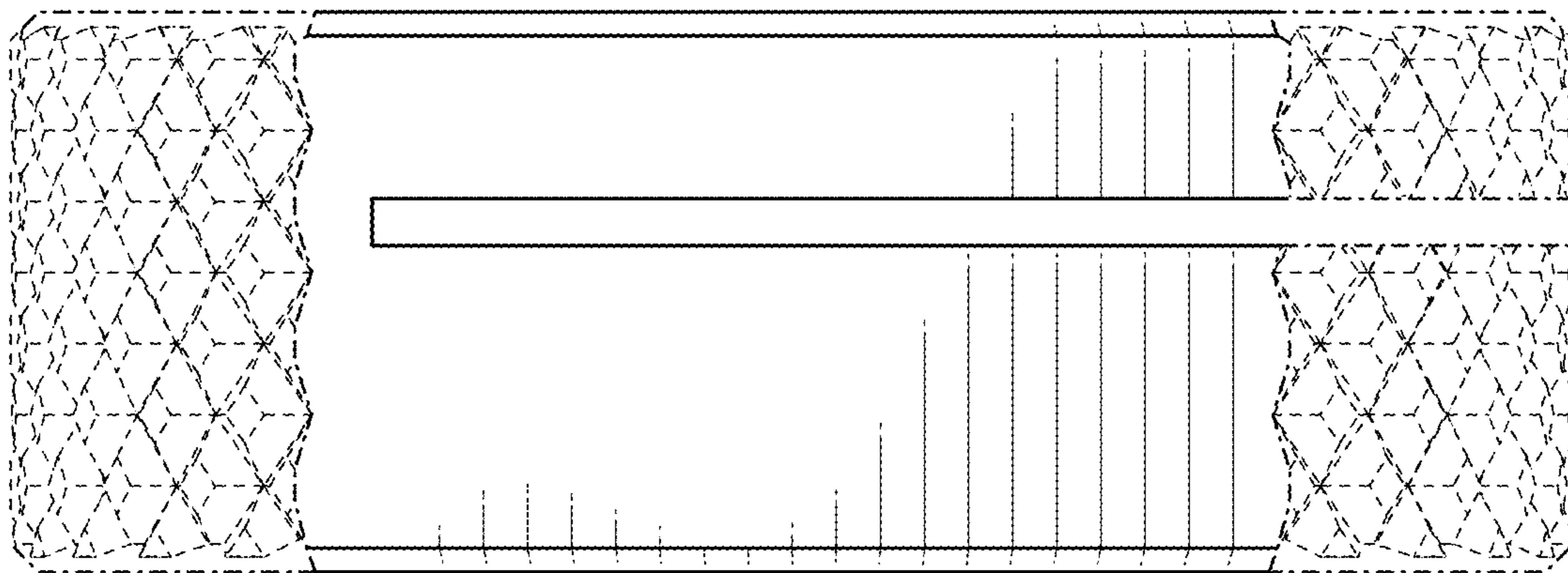


FIG. 3

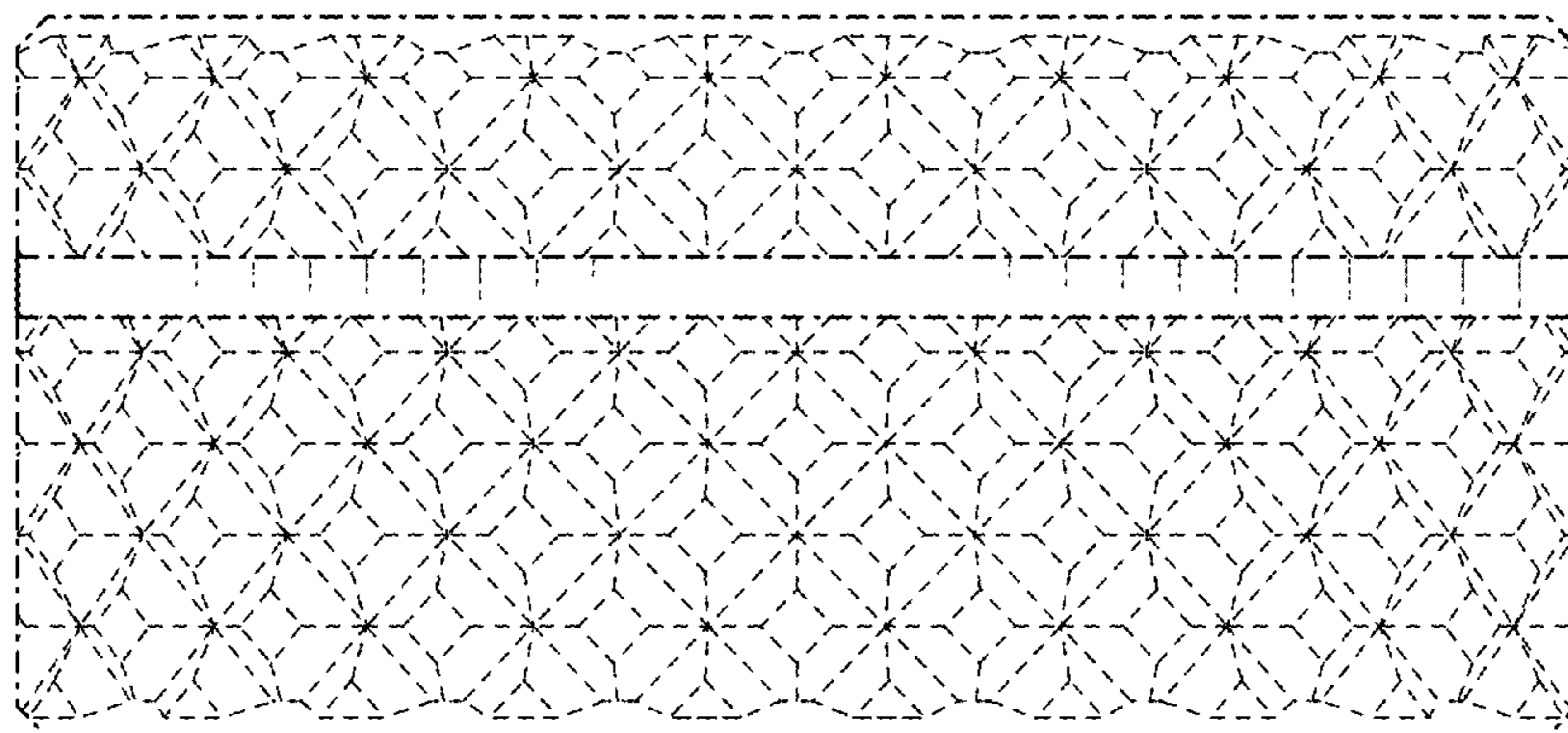


FIG. 4

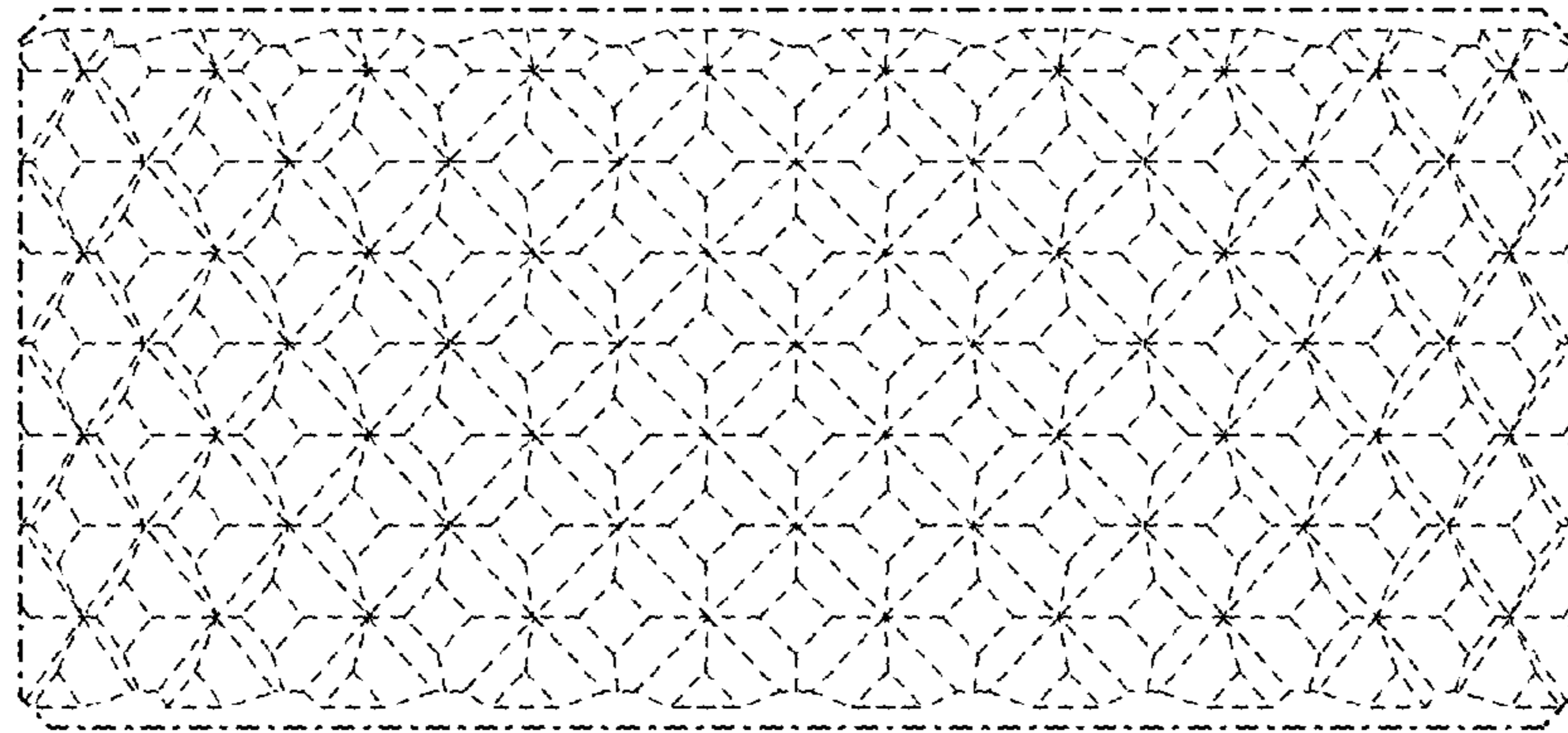


FIG. 5

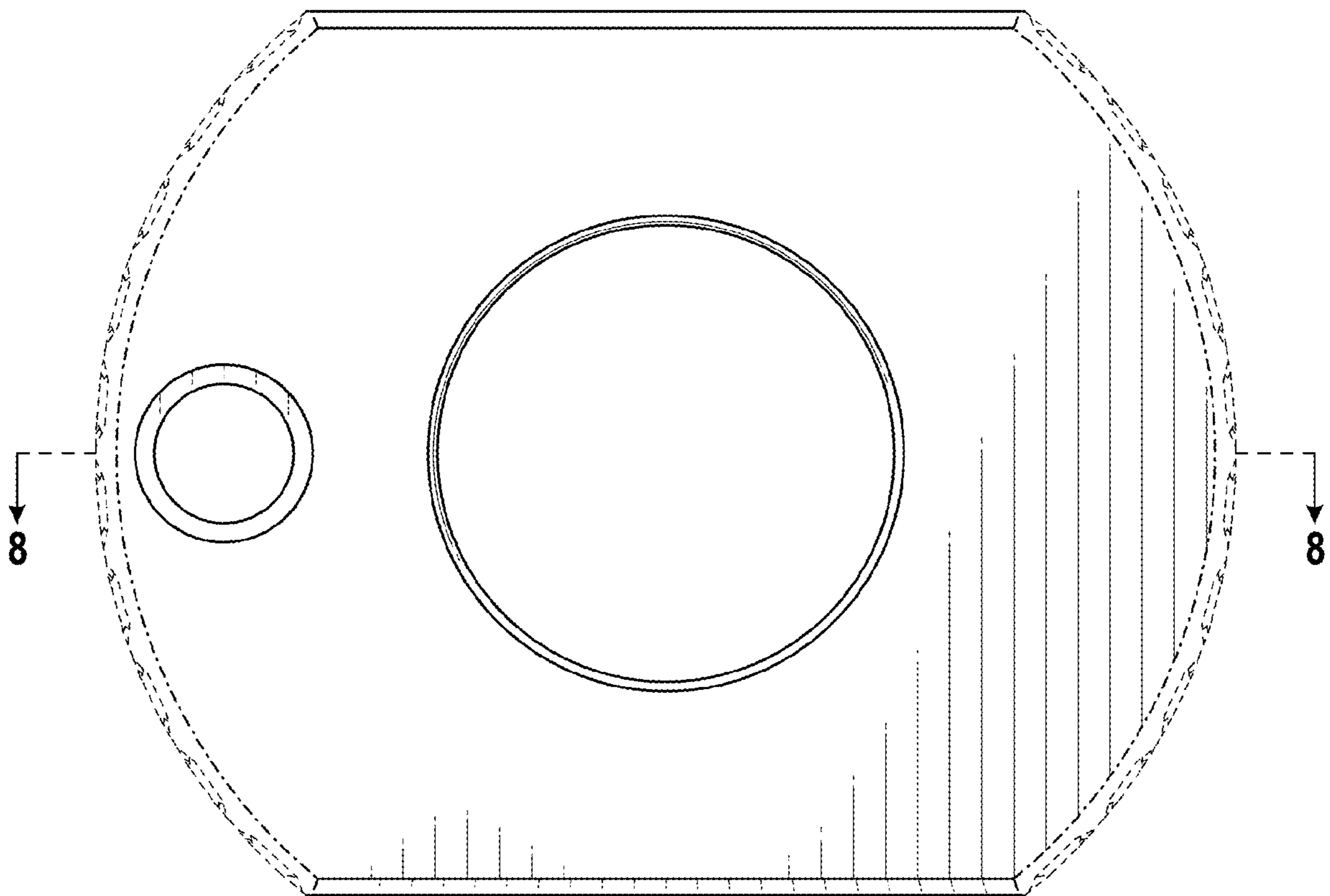


FIG. 6

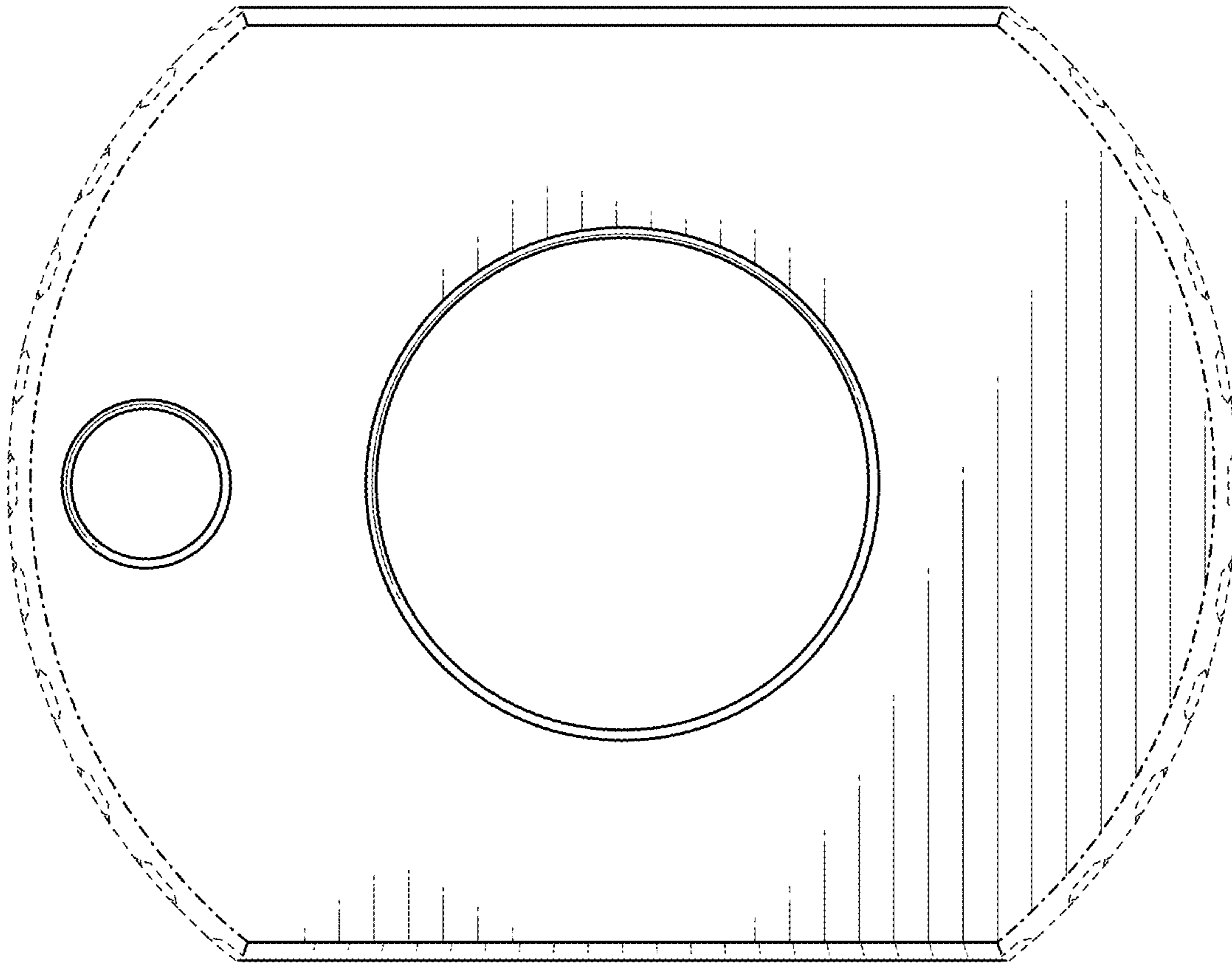


FIG. 7

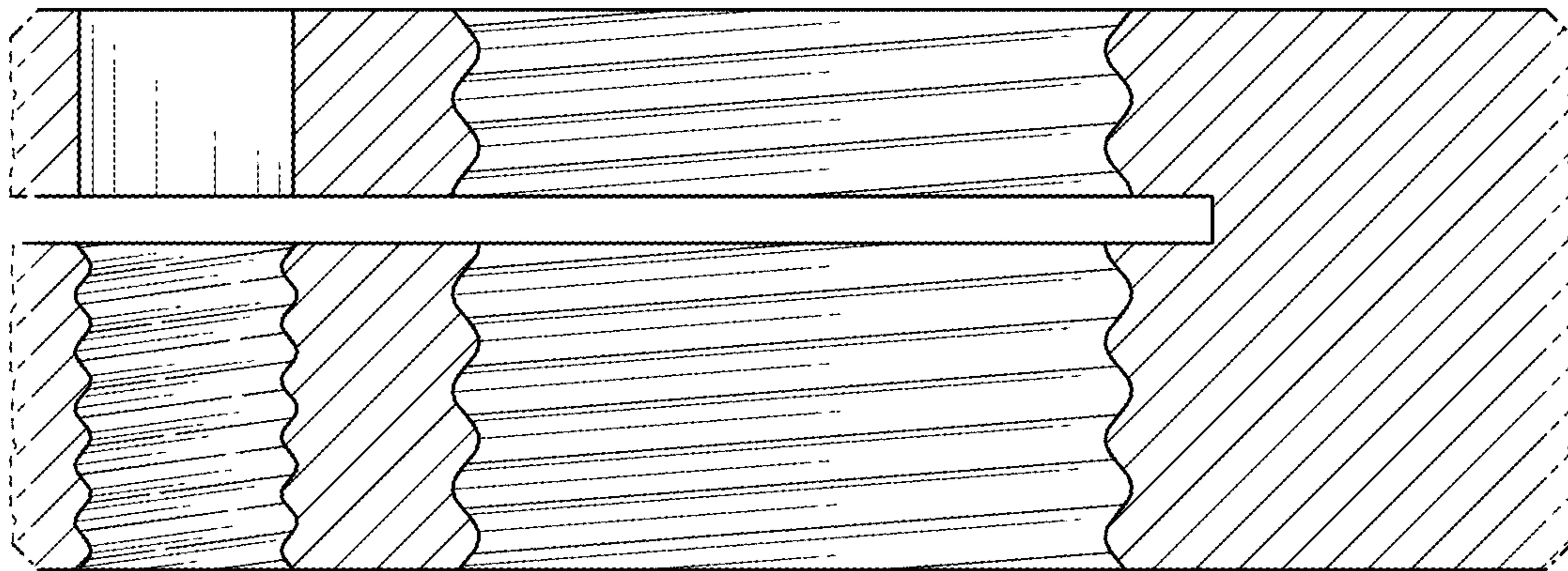


FIG. 8