



US00D880281S

(12) **United States Design Patent** (10) **Patent No.:** **US D880,281 S**  
**Sud** (45) **Date of Patent:** **\*\* Apr. 7, 2020**

(54) **RETRACTABLE CABLE LOCKING DEVICE**

(71) Applicant: **John Harris Sud**, Tucson, AZ (US)

(72) Inventor: **John Harris Sud**, Tucson, AZ (US)

(\*\*) Term: **15 Years**

(21) Appl. No.: **29/674,629**

(22) Filed: **Dec. 21, 2018**

(51) **LOC (12) Cl.** ..... **09-06**

(52) **U.S. Cl.**  
USPC ..... **D8/356**

(58) **Field of Classification Search**  
USPC ..... D8/356, 354, 349; D13/155; 320/107;  
403/322.2

CPC ..... H02J 7/0026; H02J 7/0021; H02J 7/0027;  
Y02E 60/12; F16B 45/00; F16B 7/042

See application file for complete search history.

(56) **References Cited**

**U.S. PATENT DOCUMENTS**

3,940,941	A *	3/1976	Libert et al. ....	405/259.6
D269,410	S *	6/1983	Johansson .....	D8/356
D269,411	S *	6/1983	Johansson .....	D8/356
4,543,806	A	10/1985	Papandrea et al.	
4,607,984	A *	8/1986	Cassidy .....	405/259.6
4,970,882	A	11/1990	Arrendondo	
5,251,464	A	10/1993	Halter	
D359,431	S *	6/1995	Motley .....	D8/44
6,874,722	B2	4/2005	Wei	
D524,149	S *	7/2006	Kim .....	D8/397
7,131,298	B1	11/2006	Haraughty	
D588,442	S *	3/2009	Chong .....	D8/356
D605,500	S *	12/2009	Lee et al. ....	D8/387
D610,717	S *	2/2010	Lin .....	D25/133
D630,086	S *	1/2011	Chou .....	D8/356
D646,154	S *	10/2011	Andersson .....	D8/397
D646,799	S *	10/2011	Yasher et al. ....	D25/133
8,065,895	B2	11/2011	Andersen	
D654,778	S *	2/2012	Hines .....	D8/356

8,117,875	B2	2/2012	Ellis	
8,196,945	B2	6/2012	Hensley	
D664,832	S *	8/2012	van der Vorst .....	D8/356
D679,988	S *	4/2013	Yamazaki .....	D8/397
D682,909	S *	5/2013	Kim .....	D16/219
D692,293	S *	10/2013	Toscani .....	D8/356
D699,552	S *	2/2014	Wills .....	D8/380
D704,543	S *	5/2014	Kuhmichel .....	D8/397
D707,534	S *	6/2014	Crouse et al. ....	D8/356
8,854,207	B2	10/2014	Williams	
D716,640	S *	11/2014	Martinson .....	D8/356
D717,157	S *	11/2014	Widdows et al. ....	D8/356
D722,489	S *	2/2015	Yamazaki .....	D8/387
D726,342	S *	4/2015	Rodriguez .....	D25/133

(Continued)

**FOREIGN PATENT DOCUMENTS**

WO 1991000949 A1 1/1991

**OTHER PUBLICATIONS**

Kryptonite, Retractor Combo Cable Lock, Amazon, retrieved from:  
<https://amazon.com/Kryptonite-Retractor-Combo-Cable-3-Fee/dp/B00FA5HDC8>, 4 pages.

(Continued)

*Primary Examiner* — Cynthia R Underwood  
(74) *Attorney, Agent, or Firm* — Grossman, Tucker, Perreault & Pfleger, PLLC

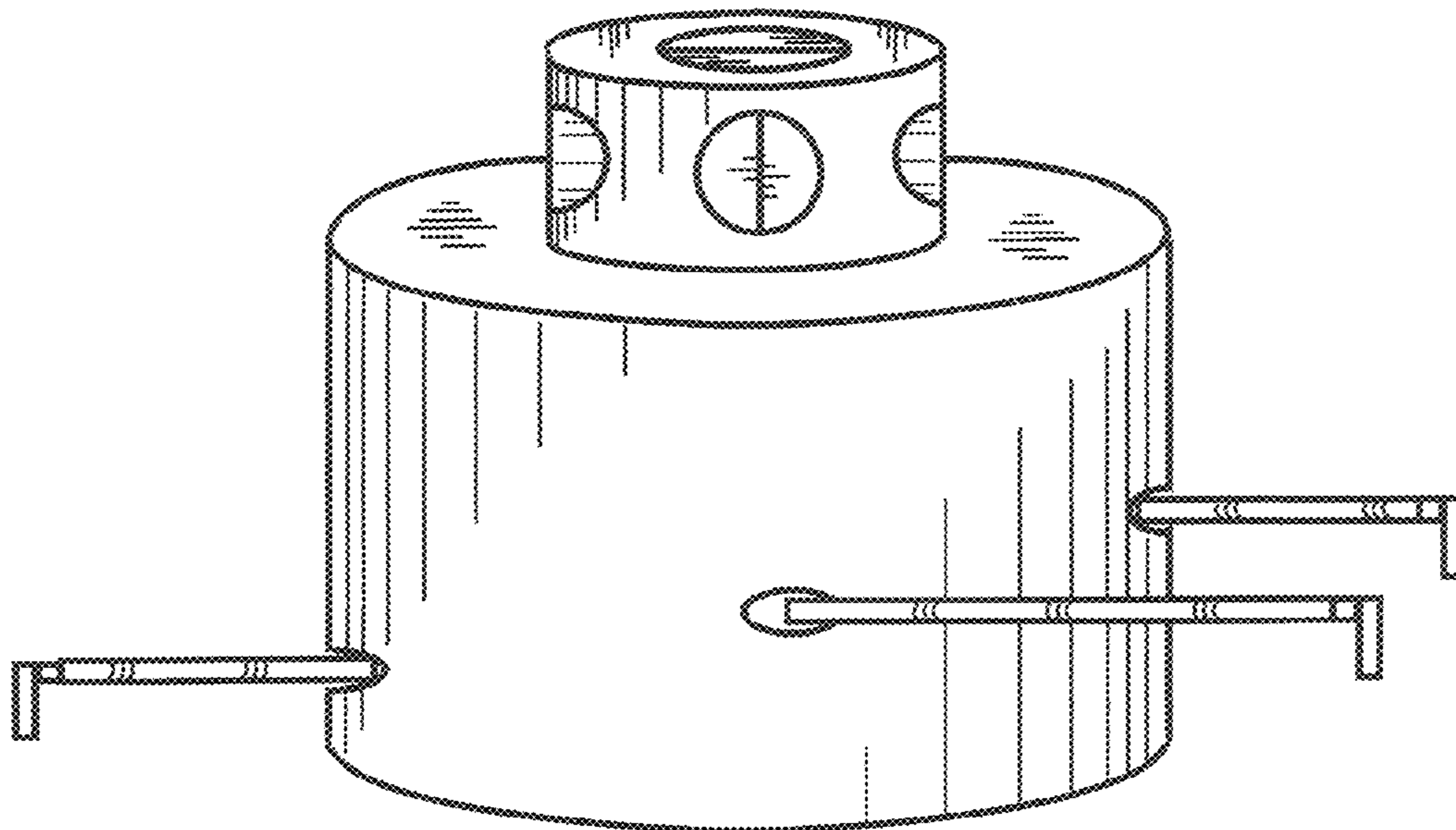
(57) **CLAIM**

The ornamental design for a retractable cable locking device, as shown and described.

**DESCRIPTION**

FIG. 1 is a perspective view of the design of this invention; FIG. 2 is a side elevation view thereof; FIG. 3 is a top plan view thereof; and, FIG. 4 is a bottom plan view thereof.

**1 Claim, 4 Drawing Sheets**



(56)

**References Cited**

U.S. PATENT DOCUMENTS

D728,831 S \* 5/2015 Rodriguez ..... D25/133  
D731,296 S \* 6/2015 Nelson ..... D8/356  
D737,666 S \* 9/2015 Rodriguez ..... D25/133  
9,447,611 B2 9/2016 Conti et al.  
9,567,772 B1 2/2017 Snell  
9,728,053 B2 8/2017 Napthine  
2002/0170324 A1 11/2002 Wilson  
2004/0226857 A1\* 11/2004 Wright ..... B65H 75/14  
206/713  
2007/0267552 A1\* 11/2007 Meyer ..... 248/156  
2009/0113946 A1 5/2009 Baumgarten  
2010/0024993 A1\* 2/2010 Chou ..... 160/323.1

OTHER PUBLICATIONS

Safeman, Bike Lock, Safeman USA, retrieved from: <http://www.safemanusa.com/allaround.html>, 1 page.

\* cited by examiner

FIG. 1

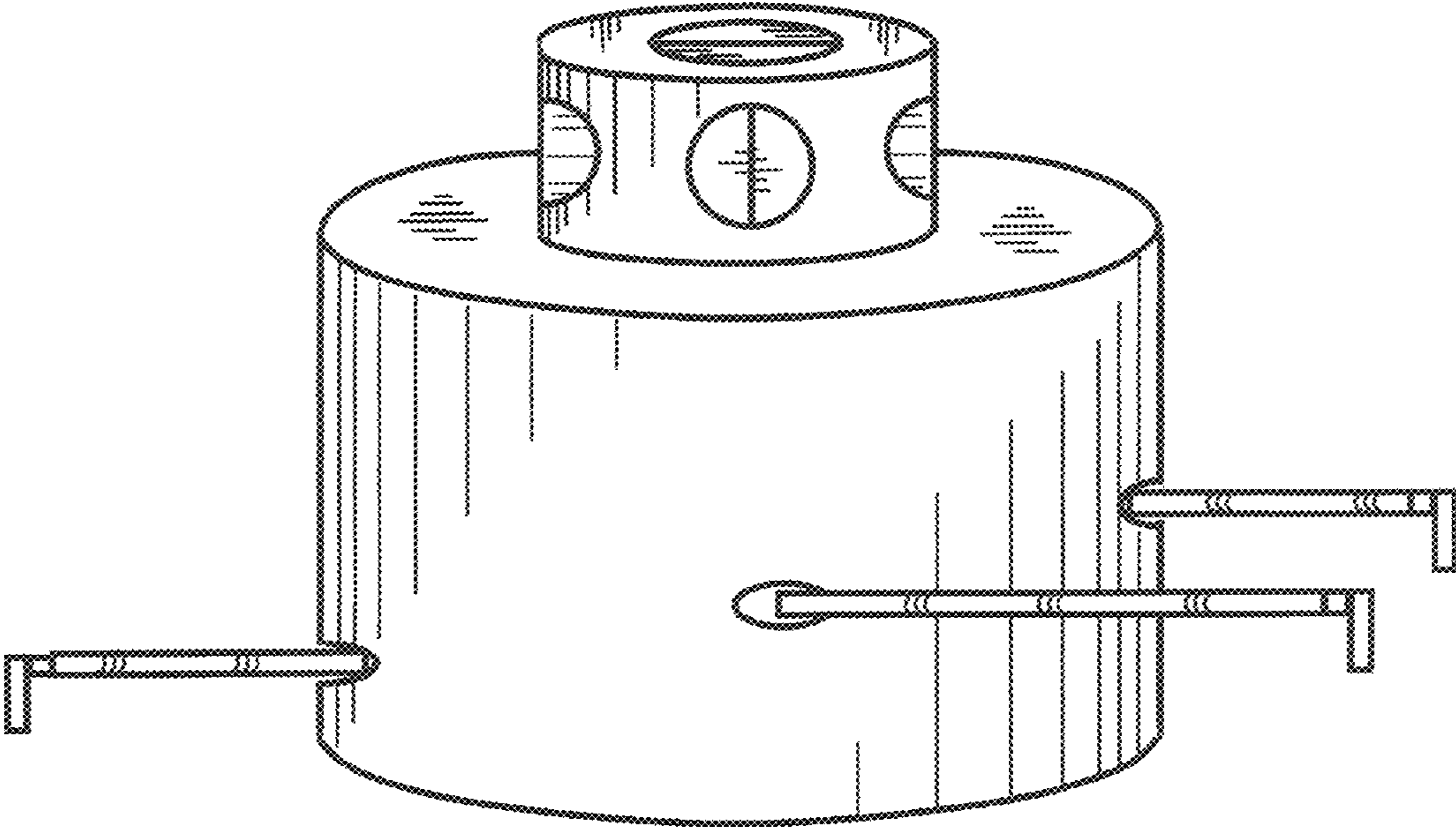


FIG. 2

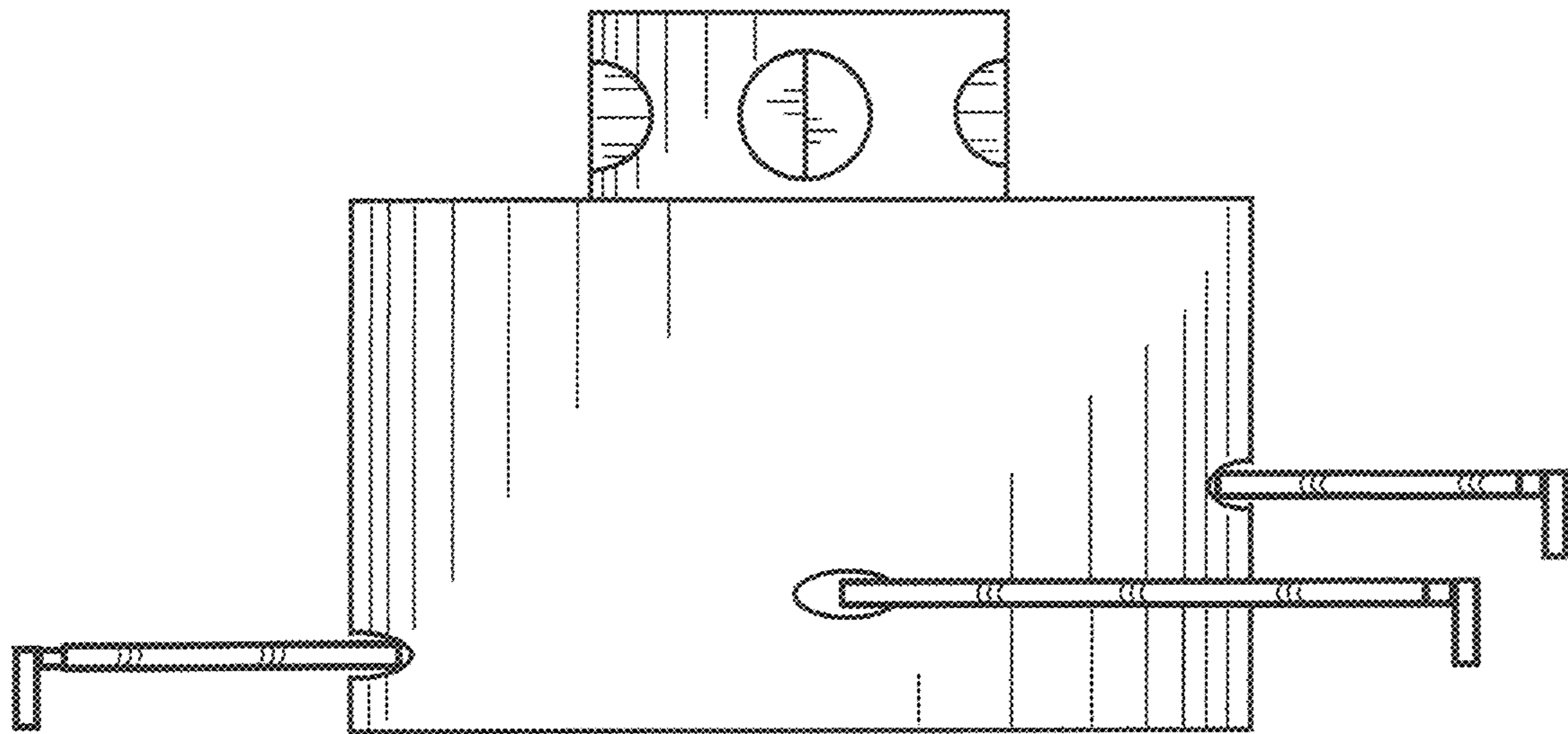


FIG. 3

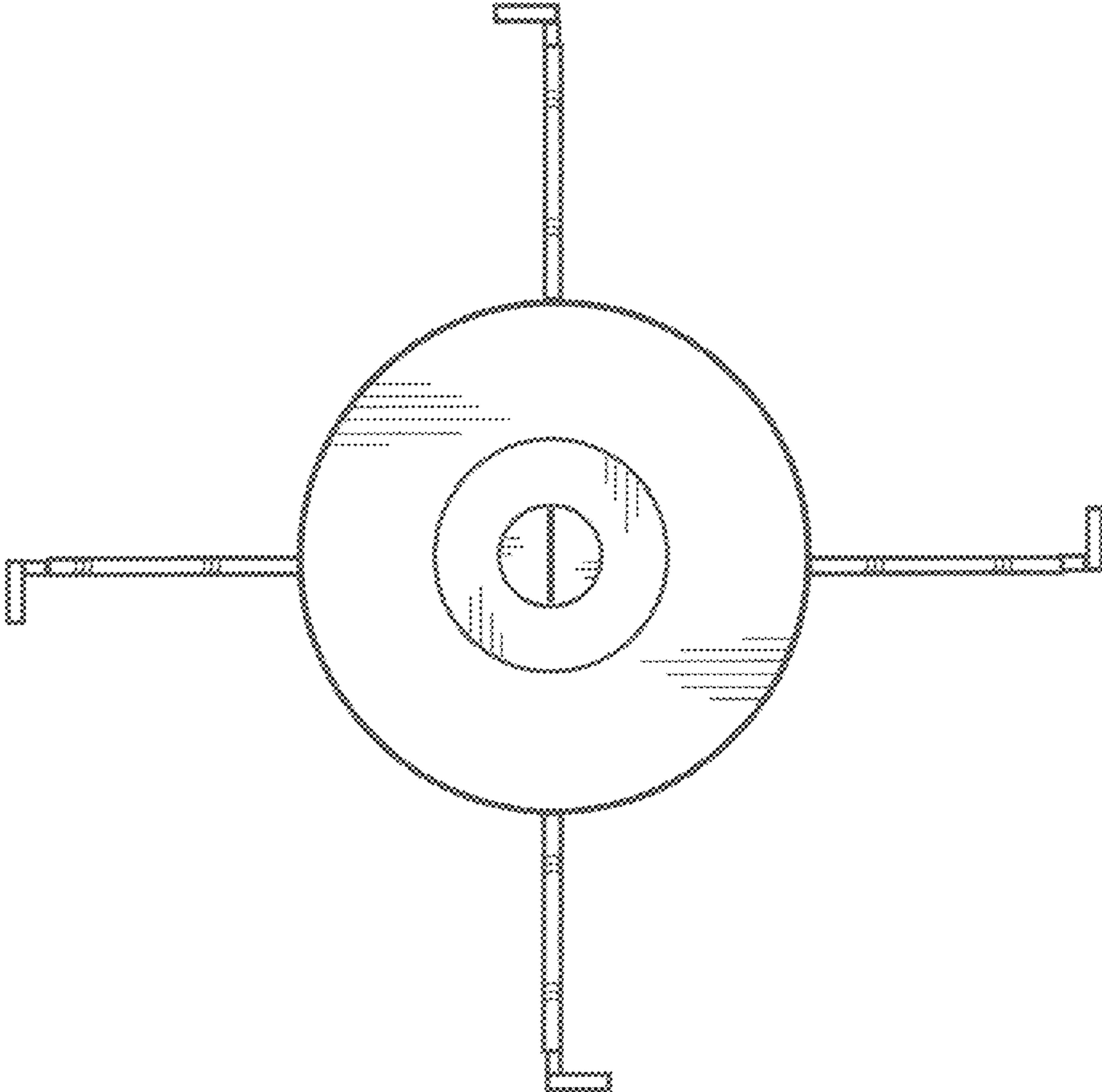




FIG. 4

