



US00D880280S

(12) **United States Design Patent**
Weinerman et al.

(10) **Patent No.:** **US D880,280 S**
(45) **Date of Patent:** **** Apr. 7, 2020**

- (54) **TIE DOWN**
- (71) Applicant: **The Eastern Company**, Cleveland, OH (US)
- (72) Inventors: **Lee S. Weinerman**, Medina, OH (US); **Fredrick L. Putzier**, Columbia Station, OH (US); **Marinel Rosu**, Strongsville, OH (US)
- (73) Assignee: **THE EASTERN COMPANY**, Cleveland, OH (US)
- (**) Term: **15 Years**

- 5,774,948 A * 7/1998 Petschke B60P 7/0807
24/265 AL
- 6,030,159 A * 2/2000 Herrick B60P 1/52
410/101
- 6,138,975 A * 10/2000 McDaid B61D 45/001
248/499
- 6,592,310 B2 * 7/2003 Hyp B60P 7/0807
296/65.13
- 6,918,721 B2 * 7/2005 Venton-Walters B60P 7/0807
410/102
- 7,134,819 B2 * 11/2006 Bullock B60P 7/0807
410/102
- D549,556 S * 8/2007 Christie D8/354
- D565,935 S * 4/2008 Selby D8/356
- 7,398,664 B1 * 7/2008 Weinerman E05B 1/0092
292/207

- (21) Appl. No.: **29/697,660**
- (22) Filed: **Jul. 10, 2019**

Related U.S. Application Data

- (63) Continuation of application No. 29/642,066, filed on Mar. 27, 2018, now Pat. No. Des. 853,825.
- (51) **LOC (12) Cl.** **08-05**
- (52) **U.S. Cl.**
USPC **D8/354**
- (58) **Field of Classification Search**
USPC D12/223; D8/382, 349, 354, 384, 367
CPC B61D 45/00
See application file for complete search history.

(56) **References Cited**

U.S. PATENT DOCUMENTS

- 4,907,921 A * 3/1990 Akright B61D 45/001
410/111
- D307,107 S * 4/1990 Wensien D8/306
- D314,133 S * 1/1991 Issard D12/317
- 5,052,869 A * 10/1991 Hansen, II B60P 7/0807
410/101
- 5,180,263 A * 1/1993 Flowers, Jr. B60P 7/0807
410/101

(Continued)

Primary Examiner — Keli L Hill
Assistant Examiner — Harold E Blackwell, II
(74) *Attorney, Agent, or Firm* — Ralph E. Jocke; Walker & Jocke

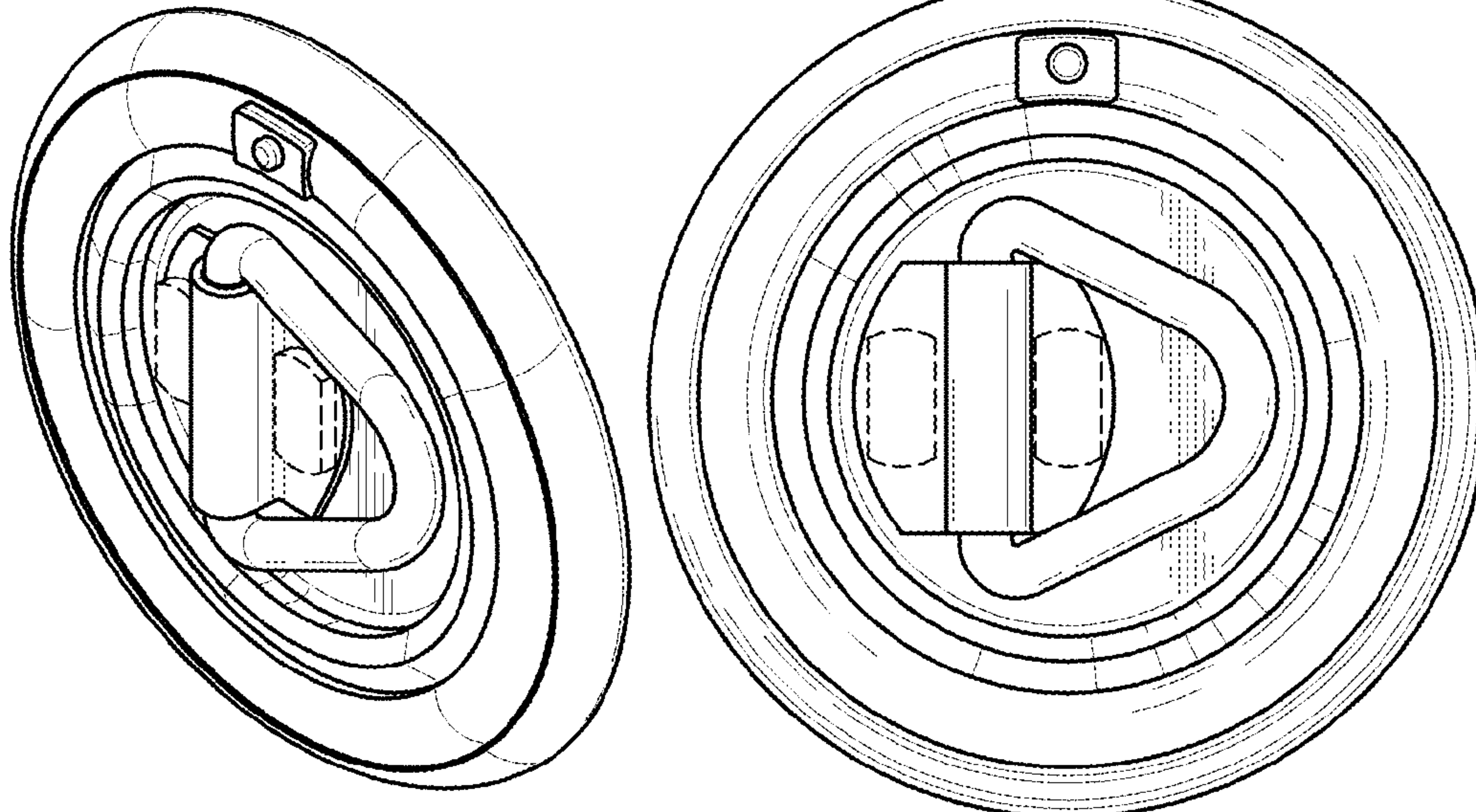
(57) **CLAIM**

An ornamental design for a tie down, as shown and described.

DESCRIPTION

FIG. 1 is a front top right perspective view of a tie down showing our new design.
FIG. 2 is a front top left perspective view thereof.
FIG. 3 is a front bottom left perspective view thereof.
FIG. 4 is a front bottom right perspective view thereof
FIG. 5 is a front view thereof.
FIG. 6 is a right side view thereof.
FIG. 7 is a left side view thereof.
FIG. 8 is a top side view thereof; and,
FIG. 9 is bottom side view thereof.
The broken lines in the drawings depict portions of the tie down that form no part of the claimed design.

1 Claim, 3 Drawing Sheets



(56)

References Cited

U.S. PATENT DOCUMENTS

7,686,551 B2 * 3/2010 Grasso B60P 7/0807
410/106
D619,954 S * 7/2010 Le D12/223
8,075,232 B2 * 12/2011 Le B61D 45/001
410/106
9,511,705 B1 * 12/2016 Egigian B60P 7/0807
D853,825 S * 7/2019 Weinerman D8/354
D857,479 S * 8/2019 Ocklenburg D8/343

* cited by examiner

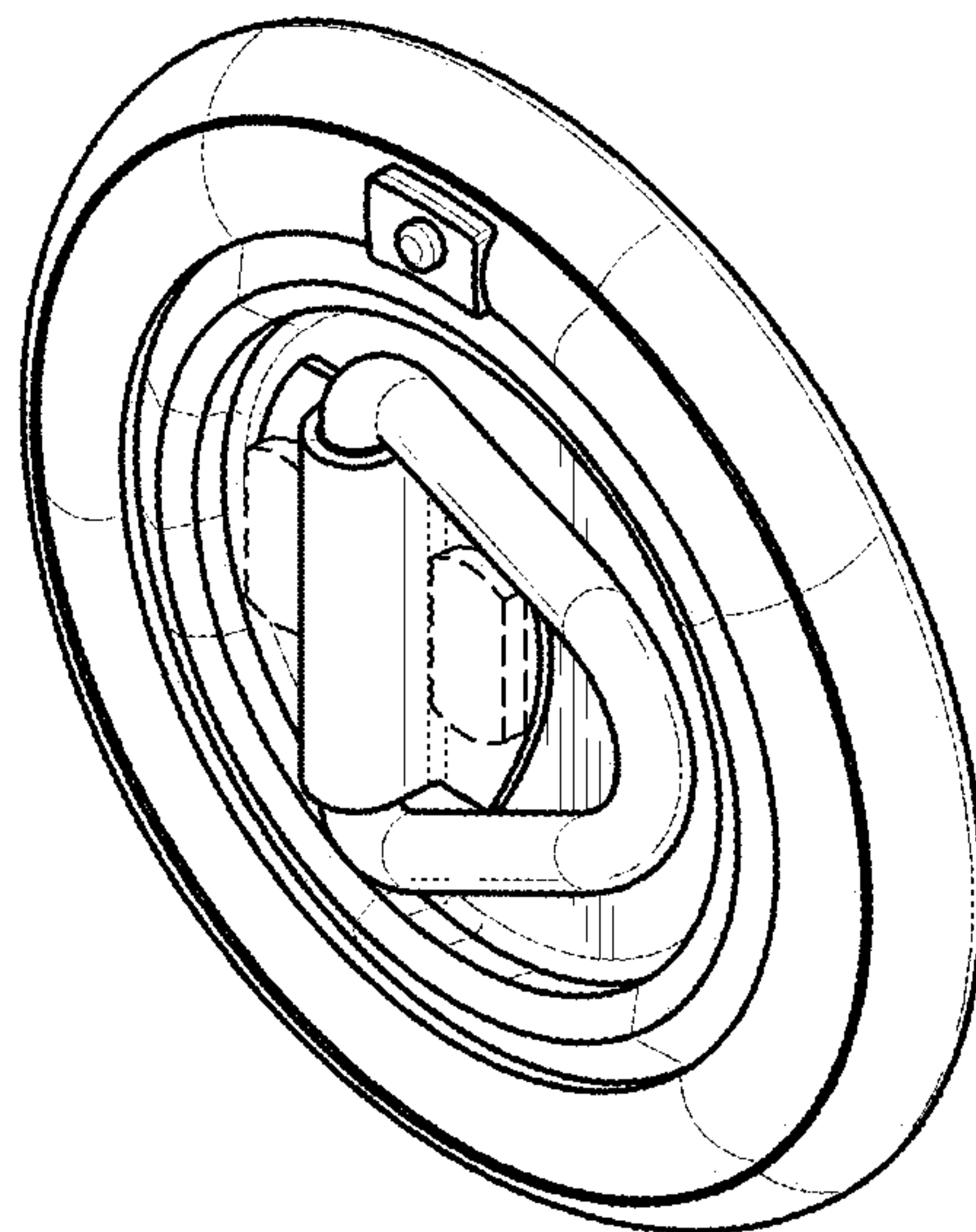


FIG. 1

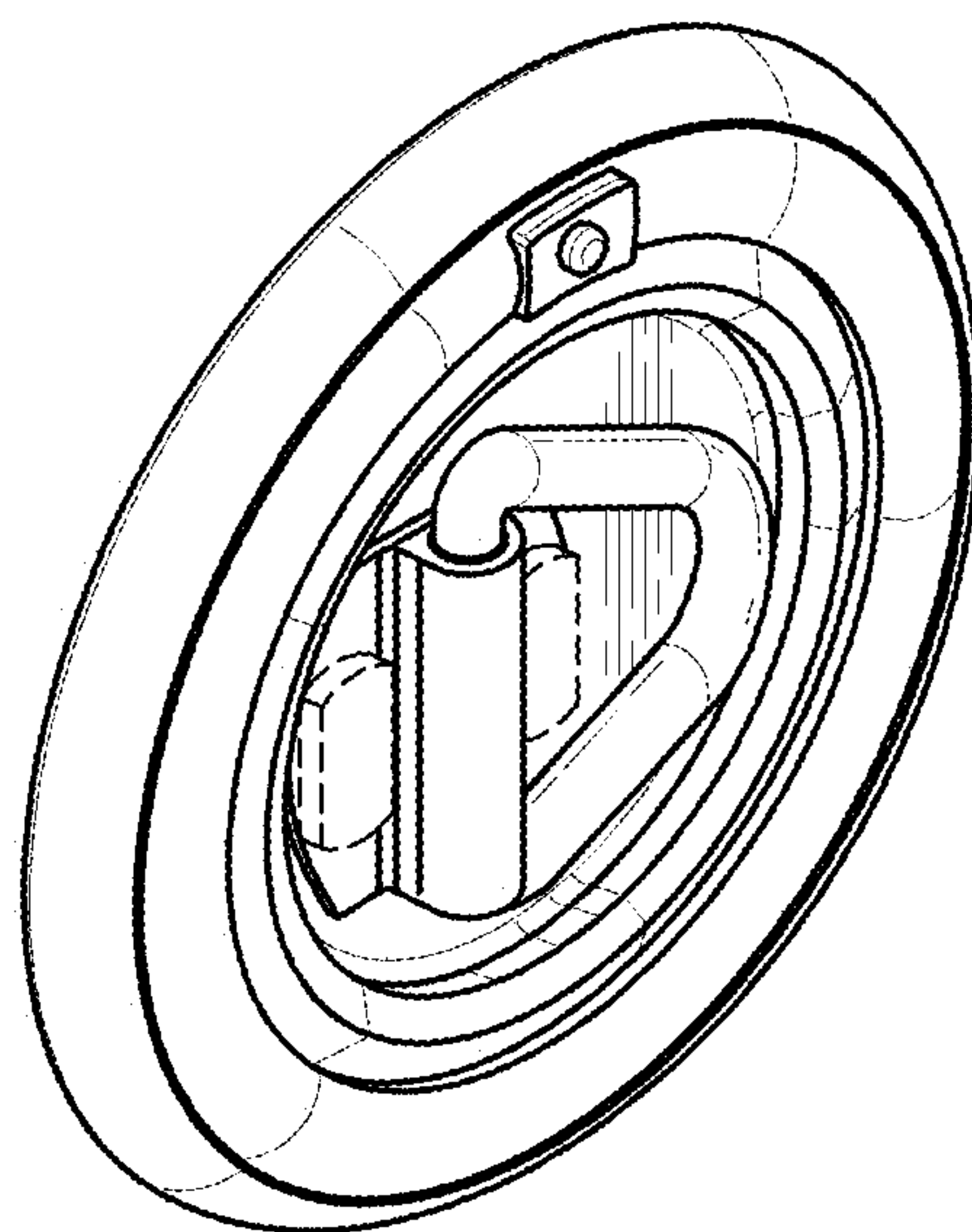


FIG. 2

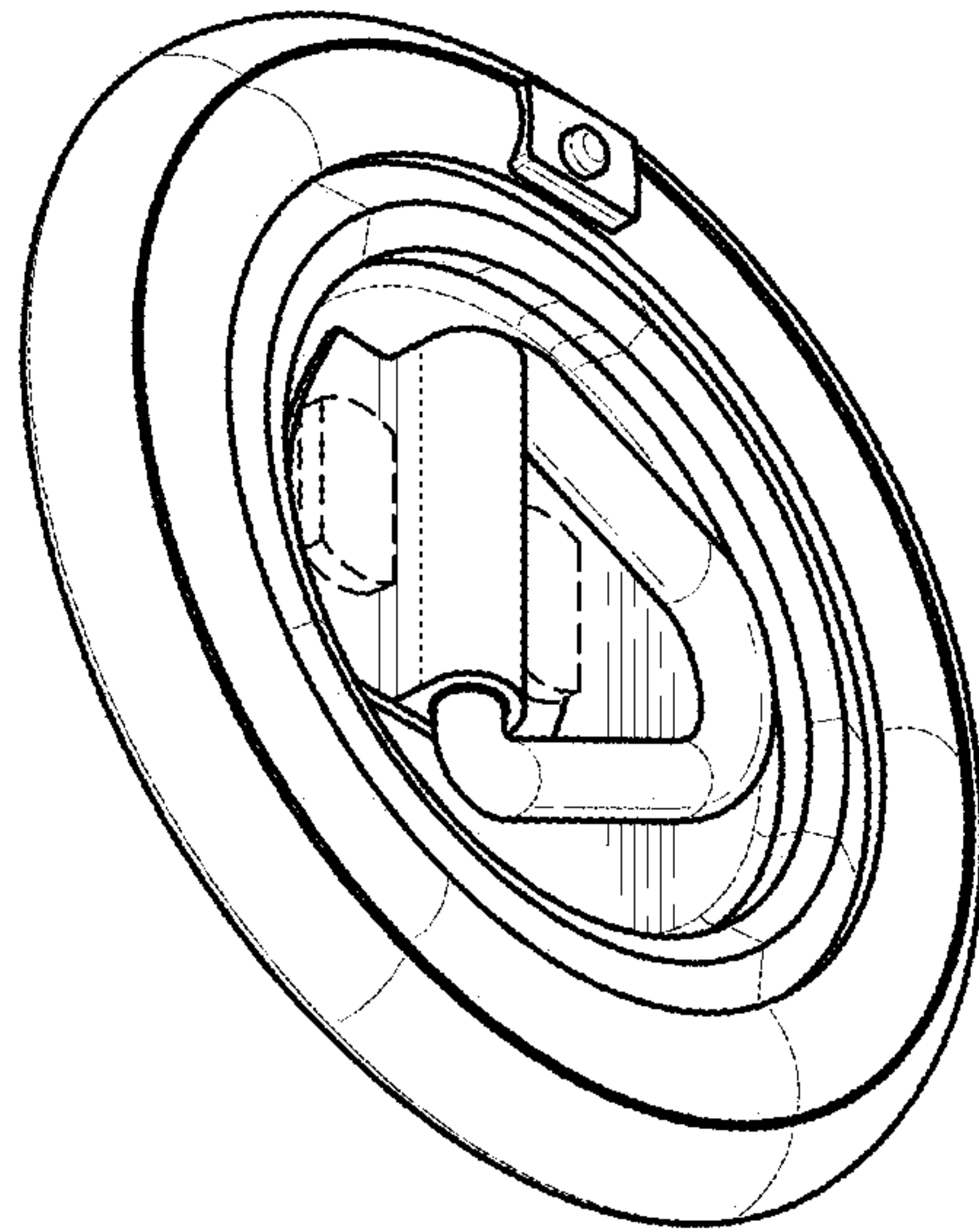


FIG. 3

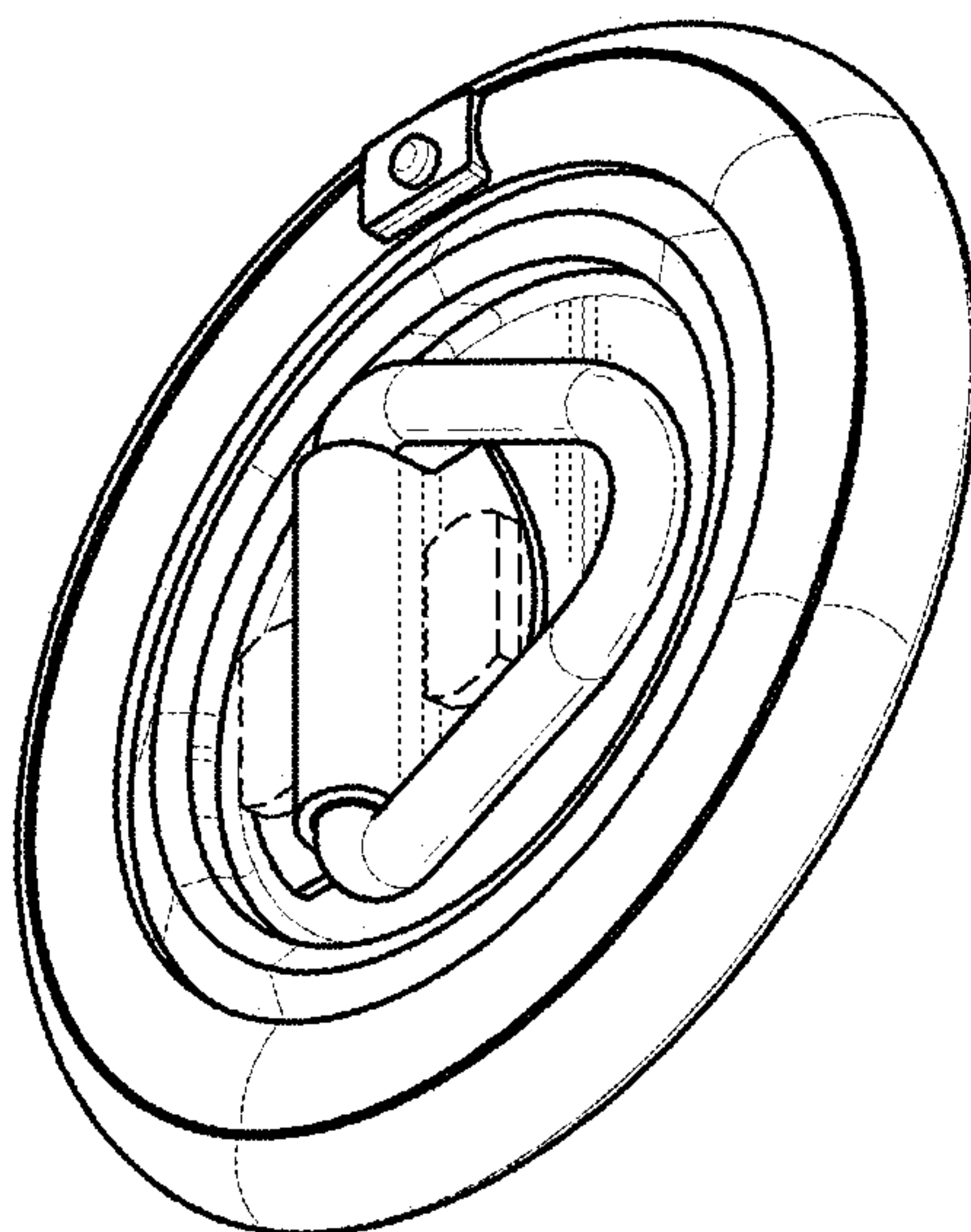


FIG. 4

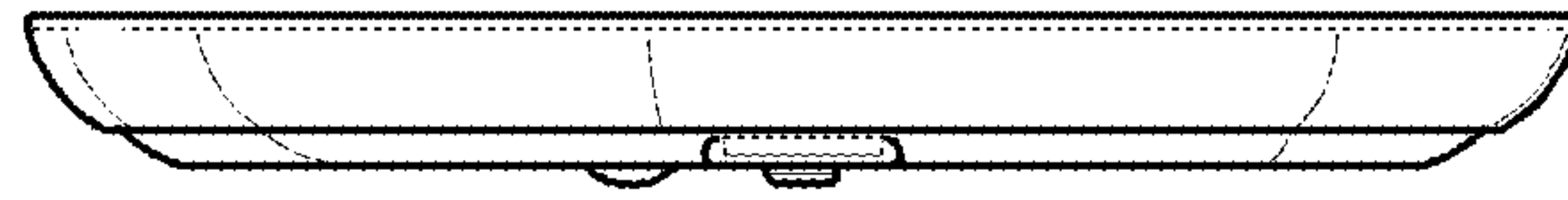


FIG. 8

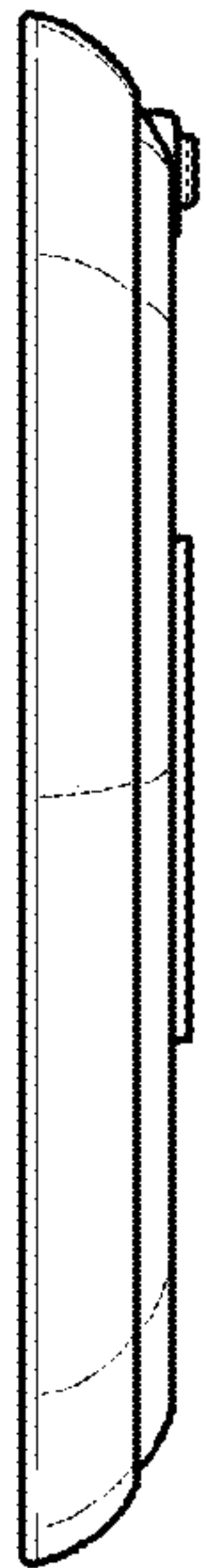


FIG. 7

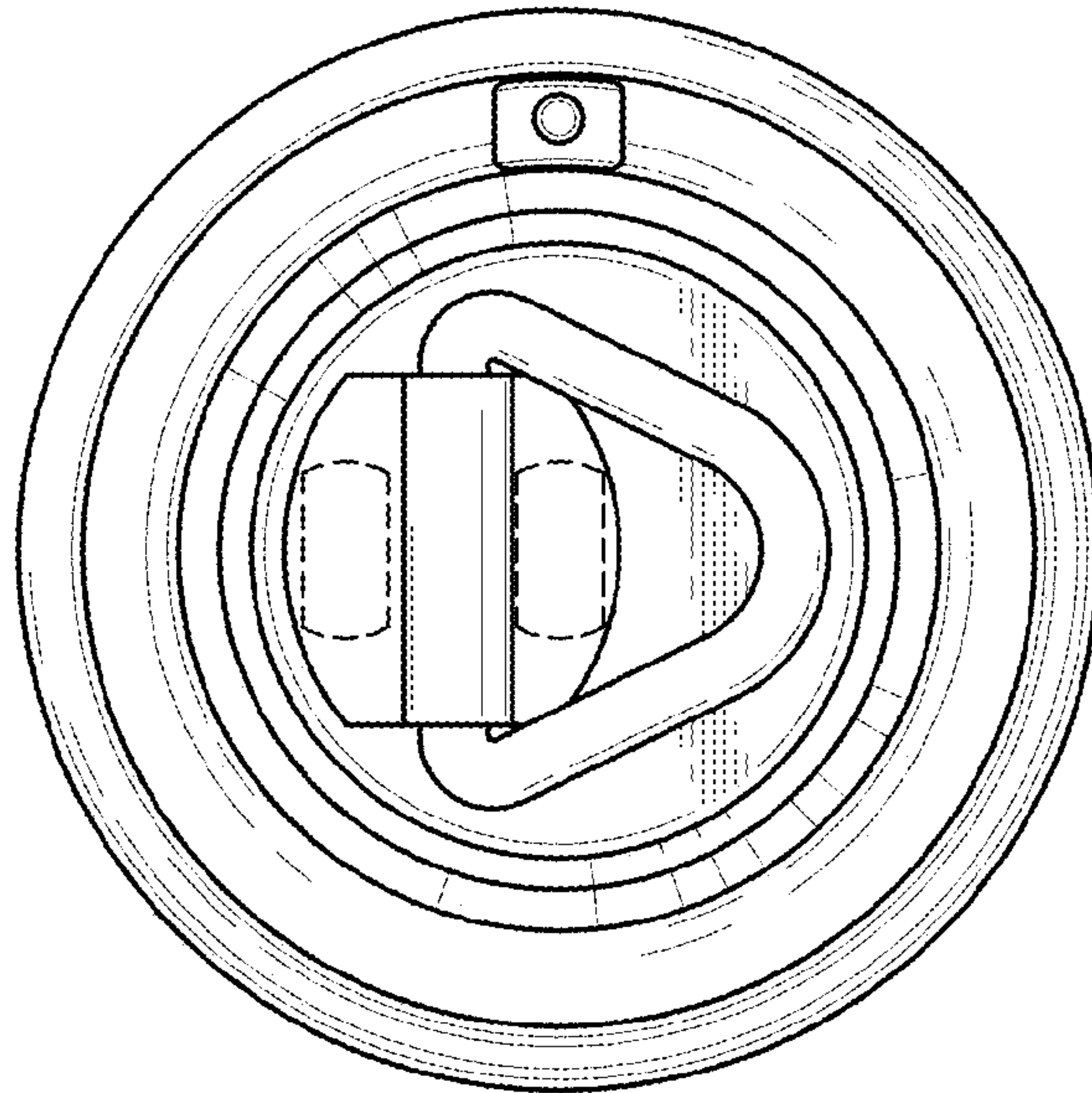


FIG. 5

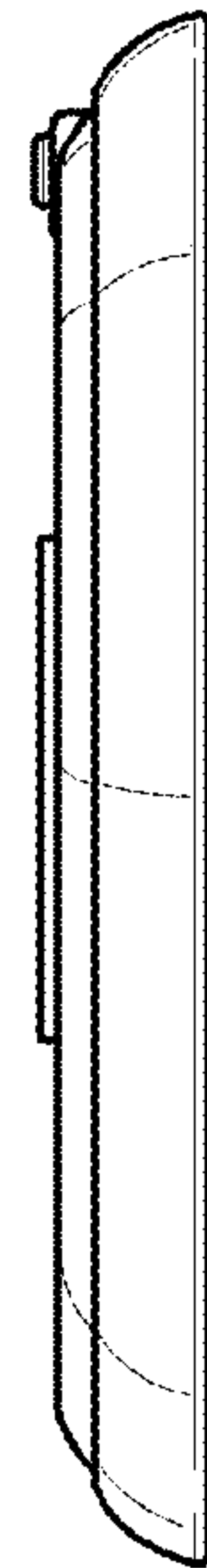


FIG. 6

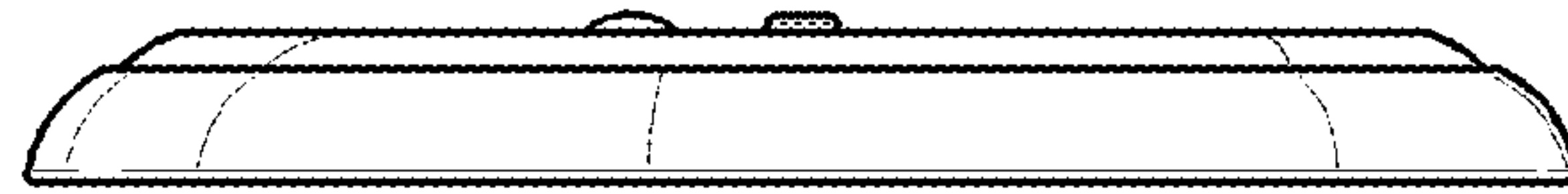


FIG. 9