



US00D880279S

(12) **United States Design Patent**
Marchesan

(10) **Patent No.:** **US D880,279 S**
(45) **Date of Patent:** **** Apr. 7, 2020**

- (54) **SUPPORT BRACKET**
- (71) Applicant: **Marchesan Implementos e Maquinas Agricolas Tatu S.A.**, Matao-SP (BR)
- (72) Inventor: **Jose Luiz Alberto Marchesan**, Matao (BR)
- (73) Assignee: **Marchesan Implementos e Maquinas Agricolas Tatu S.A.**, Matao-SP (BR)
- (**) Term: **15 Years**
- (21) Appl. No.: **29/670,332**
- (22) Filed: **Nov. 15, 2018**

2,732,266 A 1/1956 Robertson
 2,771,326 A 11/1956 Smith, et al.
 2,833,599 A 5/1958 Padrick
 (Continued)

FOREIGN PATENT DOCUMENTS

BR MU8203301-3 U2 11/2003
 BR MU8402968-4 U 5/2005
 (Continued)

Primary Examiner — Keli L Hill
Assistant Examiner — Harold E Blackwell, II
 (74) *Attorney, Agent, or Firm* — Alston & Bird LLP

(57) **CLAIM**

I claim the ornamental design for a support bracket, as shown and described.

DESCRIPTION

FIG. 1 is a top perspective view of a support bracket showing the new design;
 FIG. 2 is a front elevation view of the support bracket of FIG. 1;
 FIG. 3 is a rear elevation view of the support bracket of FIG. 1;
 FIG. 4 is a left side elevation view of the support bracket of FIG. 1;
 FIG. 5 is a right side elevation view of the support bracket of FIG. 1;
 FIG. 6 is a top plan view of the support bracket of FIG. 1;
 FIG. 7 is a bottom plan view of the support bracket of FIG. 1; and,
 FIG. 8 is a bottom perspective view of the support bracket of FIG. 1.
 The broken lines immediately adjacent shaded areas represent bounds of the claimed design, while all other broken lines are directed to environmental or unclaimed features. None of the illustrated broken lines form any part of the claimed design.

Related U.S. Application Data

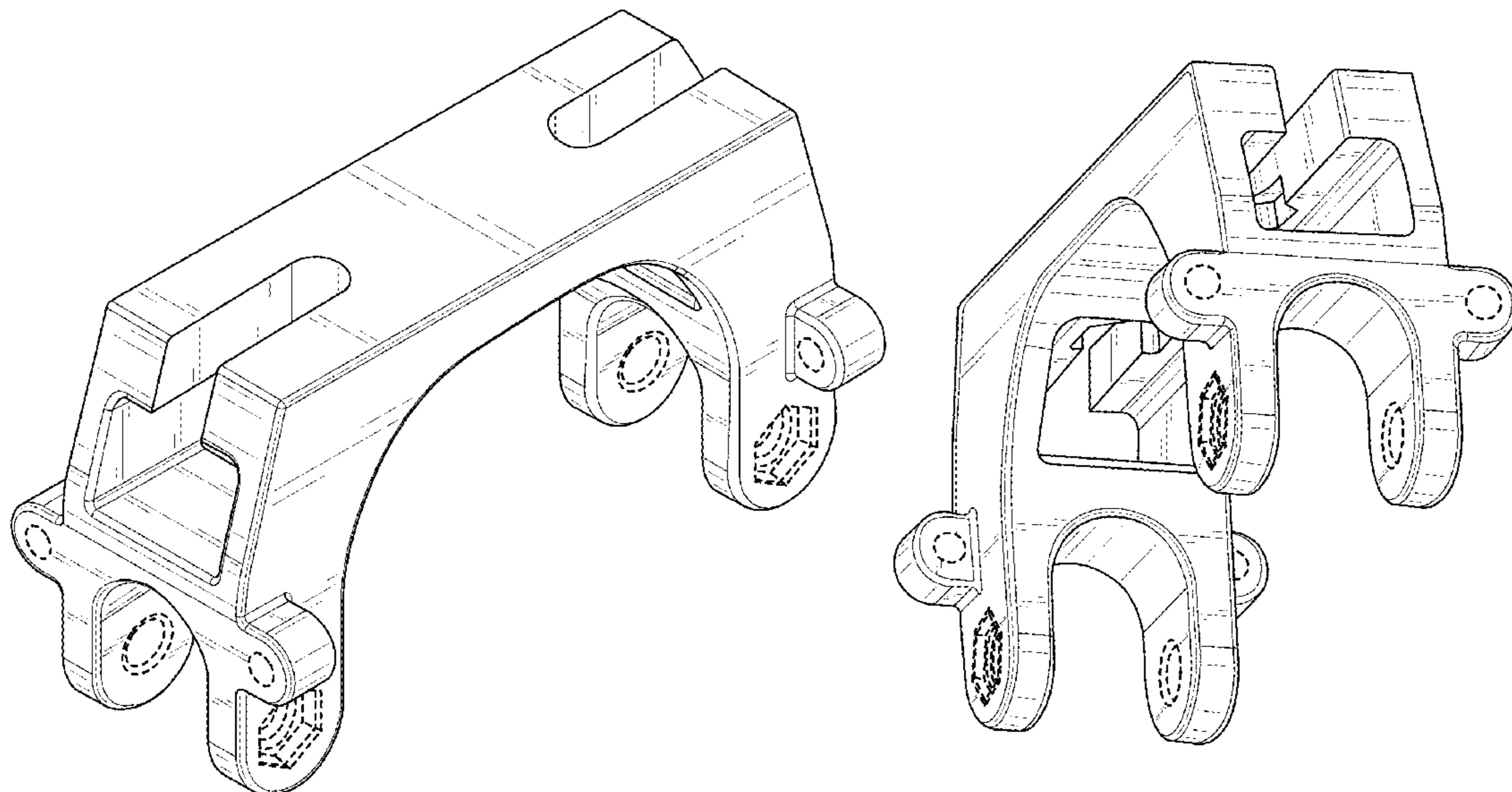
- (63) Continuation-in-part of application No. 15/944,477, filed on Apr. 3, 2018, now Pat. No. 10,512,206, which is a continuation of application No. 15/837,593, filed on Dec. 11, 2017, now abandoned.
- (51) **LOC (12) Cl.** **08-05**
- (52) **U.S. Cl.**
USPC **D8/354**
- (58) **Field of Classification Search**
USPC D8/349, 354, 356; D15/28, 10; 172/311, 172/452, 293, 681, 762, 763, 776
CPC A01B 76/00; F16M 13/02; F16C 33/7813; F16C 2310/00
See application file for complete search history.

(56) **References Cited**

U.S. PATENT DOCUMENTS

1,726,278 A 8/1929 Standlund
 2,097,244 A 10/1937 Sjogren, et al.
 2,580,508 A 1/1952 Birdwell
 2,597,524 A 5/1952 Birt
 2,725,812 A 12/1955 Frank
 2,729,043 A 1/1956 Frank

1 Claim, 6 Drawing Sheets



(56)

References Cited

U.S. PATENT DOCUMENTS

2,877,064 A 3/1959 Oehler et al.
 3,098,680 A 7/1963 Lohman
 3,265,344 A 8/1966 Reuben
 3,576,216 A 4/1971 Tanke
 4,173,262 A 11/1979 Adee
 4,249,782 A 2/1981 Frank
 5,267,619 A 12/1993 Eversole
 5,320,307 A 6/1994 Spofford et al.
 5,397,187 A 3/1995 Cachinero et al.
 5,678,930 A 10/1997 Kreftmeyer et al.
 5,873,547 A 2/1999 Dunstan
 5,979,846 A 11/1999 Fluhr
 6,341,746 B1 * 1/2002 Pascal B64D 27/26
 244/54
 6,682,015 B2 1/2004 Levert et al.
 6,986,482 B2 * 1/2006 Brefort B64D 27/18
 244/54
 8,152,094 B2 4/2012 Foster
 D661,713 S * 6/2012 Marchesan D15/28
 8,397,187 B2 3/2013 Sawada
 8,721,185 B2 5/2014 Marchesan
 9,157,475 B2 10/2015 Gutowski et al.
 9,249,834 B2 2/2016 Cross et al.

9,769,974 B2 9/2017 Cross et al.
 2001/0025902 A1 * 10/2001 Jule B64D 27/18
 244/54
 2003/0025033 A1 * 2/2003 Levert B64D 27/26
 244/54
 2003/0066928 A1 * 4/2003 Brefort B64D 27/26
 244/54
 2004/0251380 A1 * 12/2004 Pasquer B64D 27/26
 244/54
 2005/0178936 A1 8/2005 Chen
 2006/0219841 A1 * 10/2006 Dron B64D 27/26
 244/54
 2007/0138337 A1 * 6/2007 Audart-Noel B64D 27/26
 244/53 R
 2010/0116926 A1 * 5/2010 Combes B64D 27/26
 244/54
 2010/0127118 A1 * 5/2010 Combes B64D 27/26
 244/54
 2019/0174665 A1 * 6/2019 Marchesan F16C 35/06

FOREIGN PATENT DOCUMENTS

BR DI7004439-2 F 12/2011
 BR DI7004440-6 F 12/2011
 BR MU9001952-0 U2 1/2012

* cited by examiner

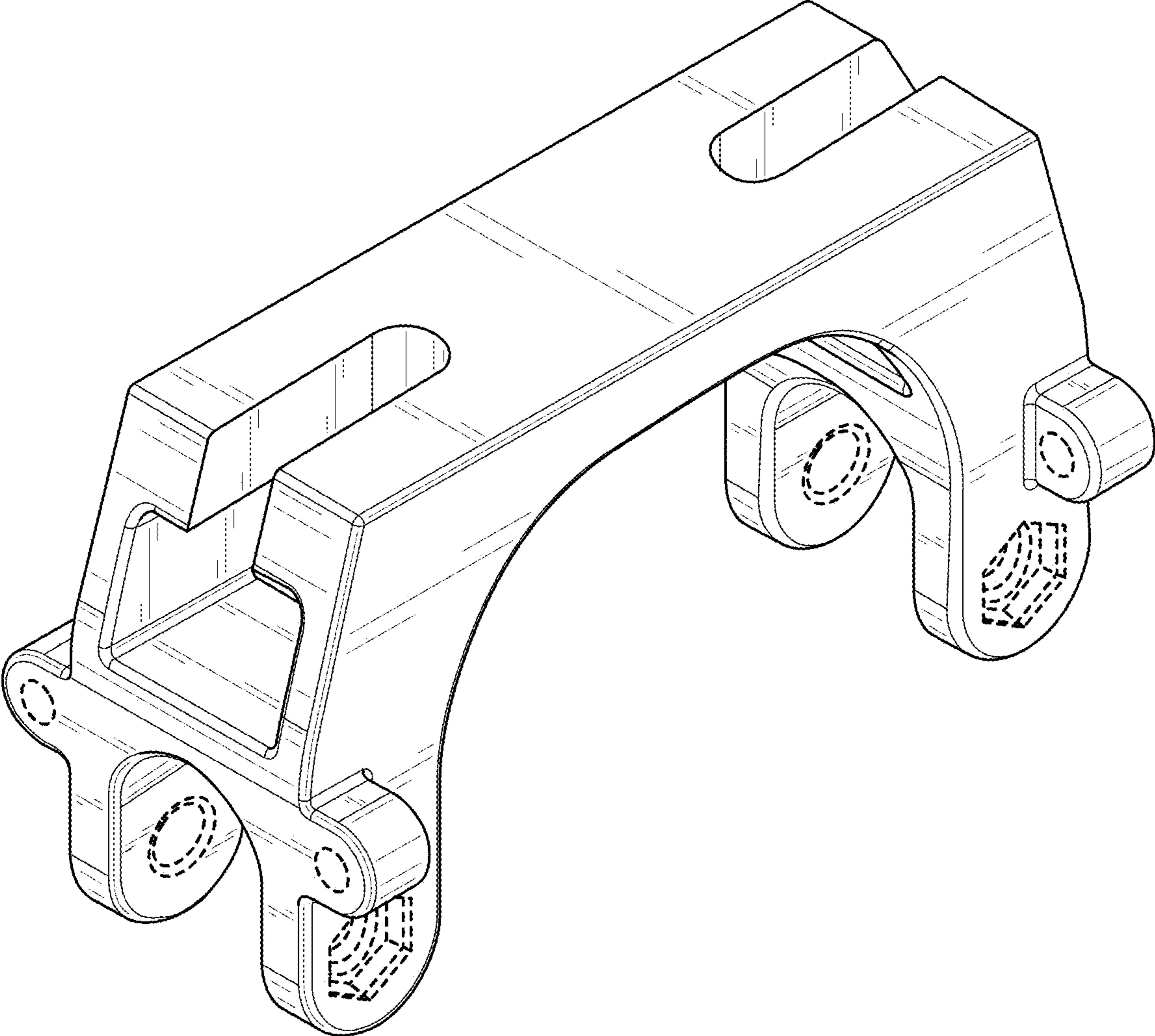


FIG. 1

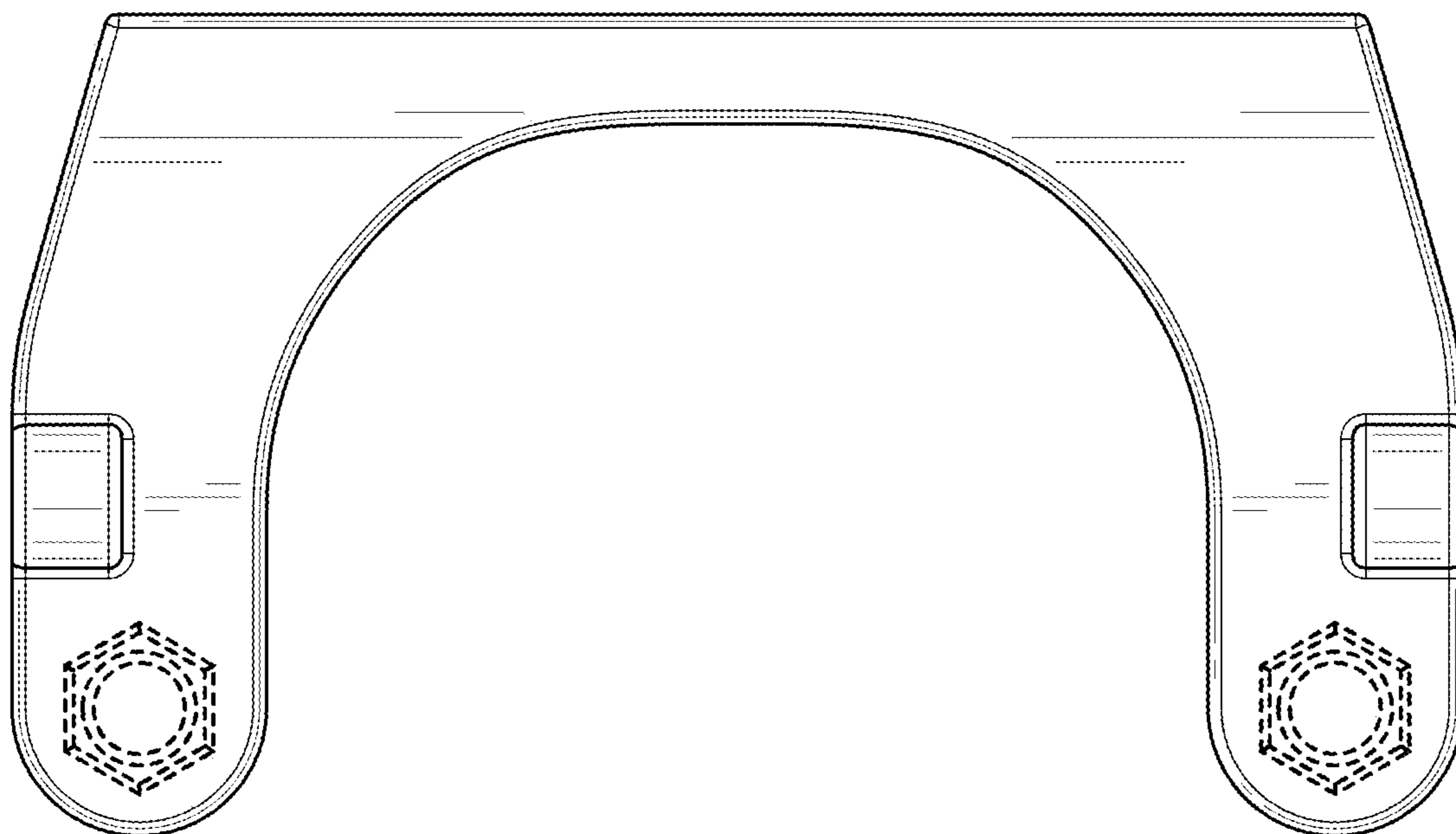


FIG. 2

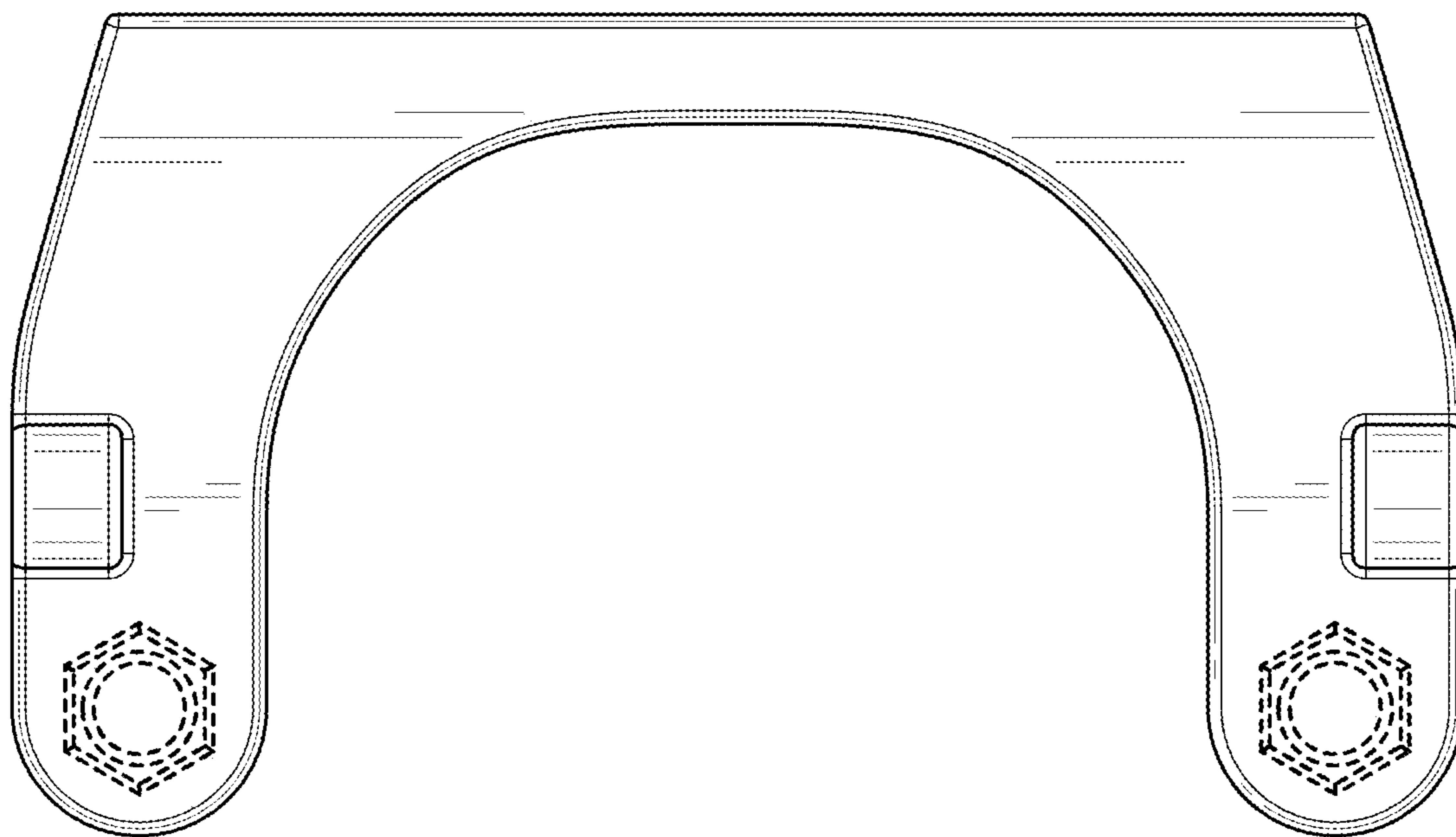


FIG. 3

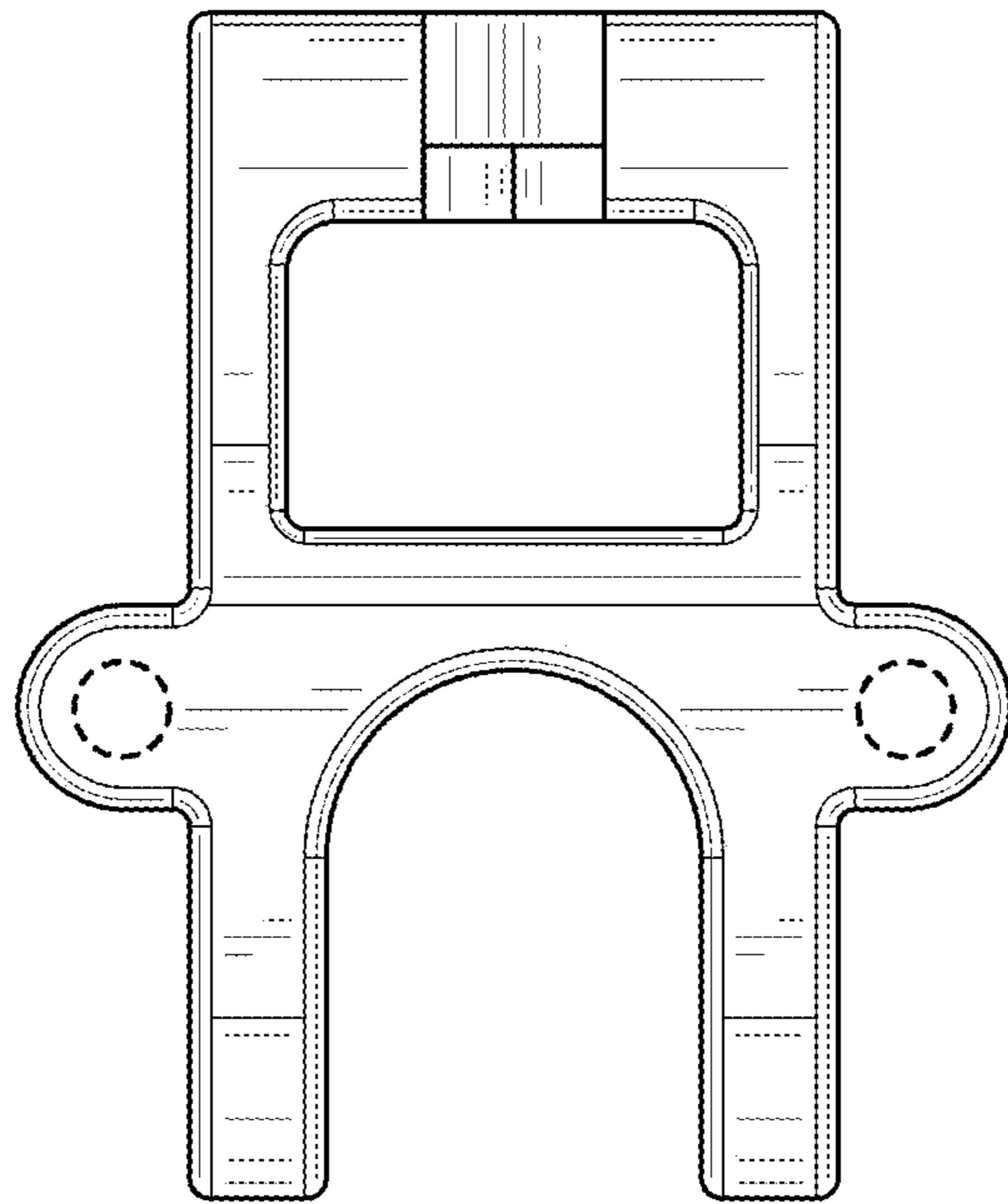


FIG. 4

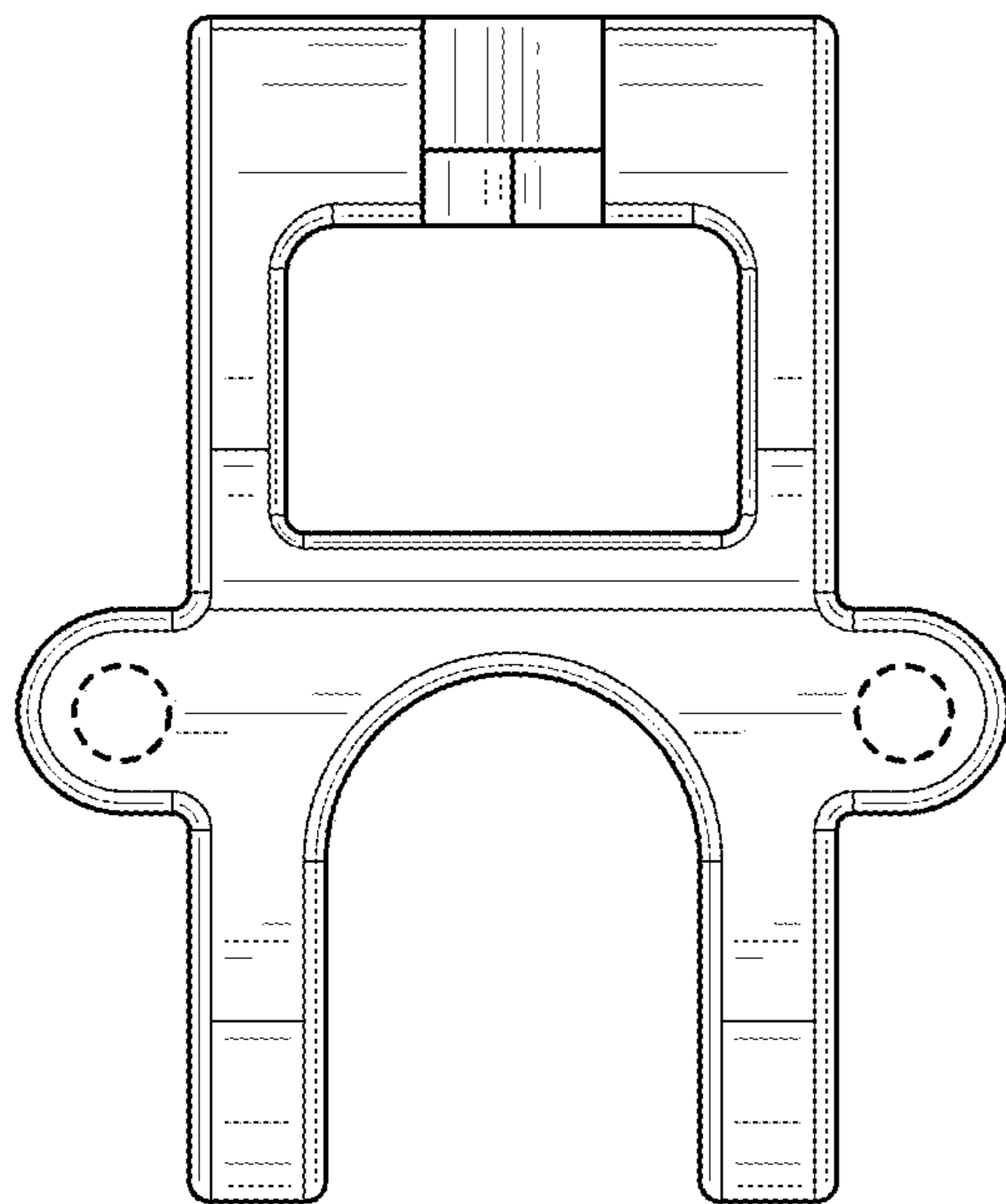


FIG. 5

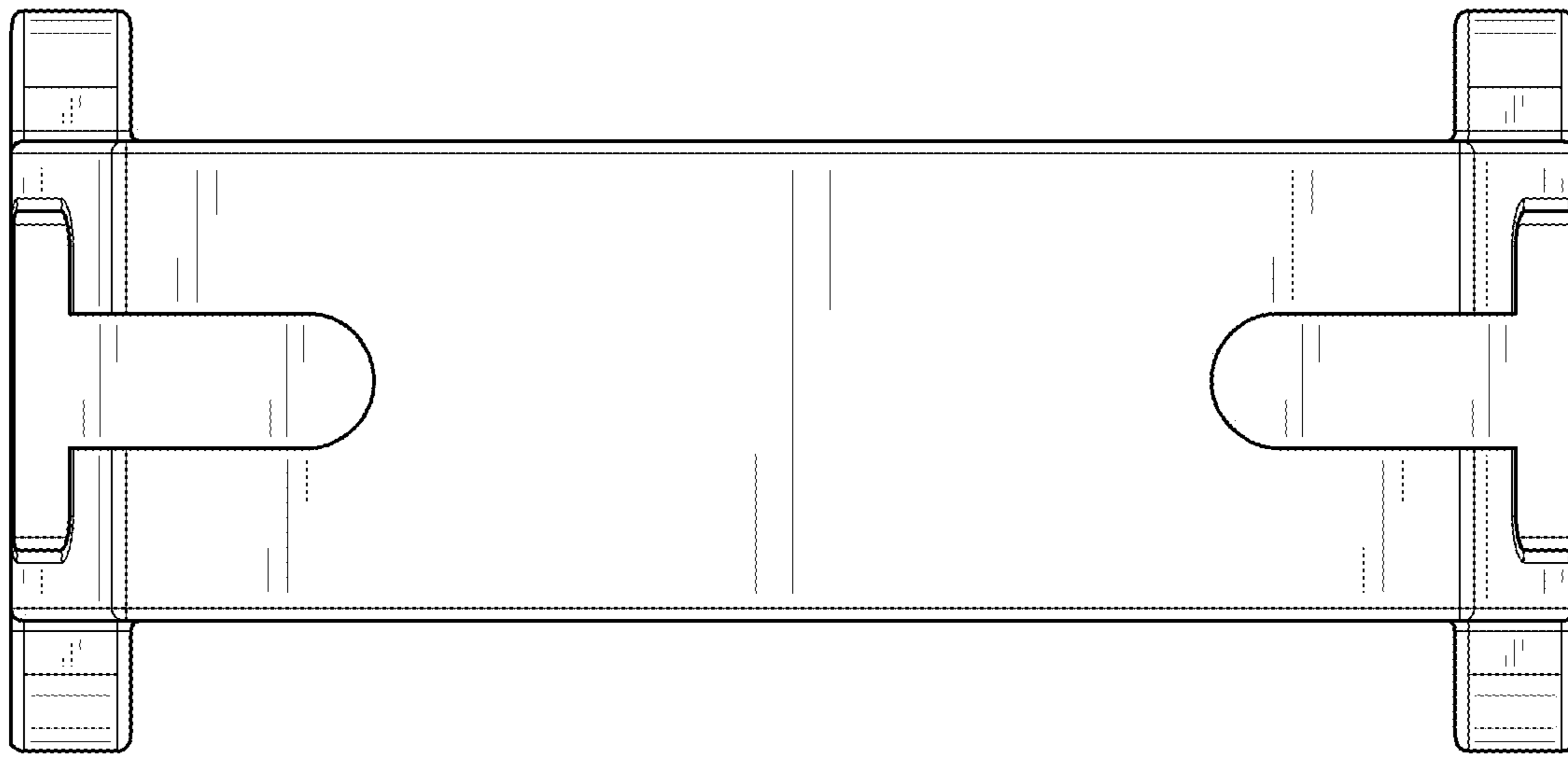


FIG. 6

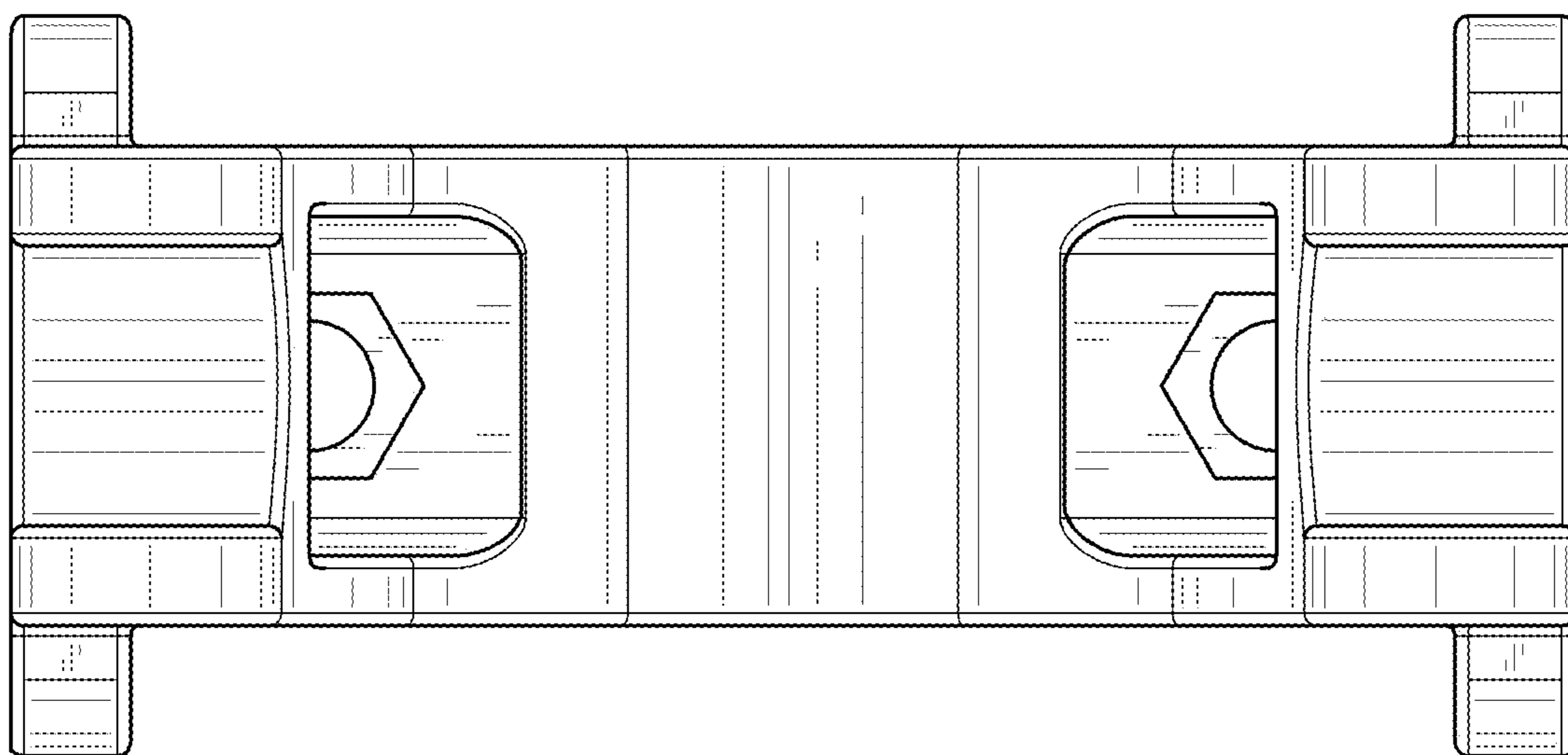


FIG. 7

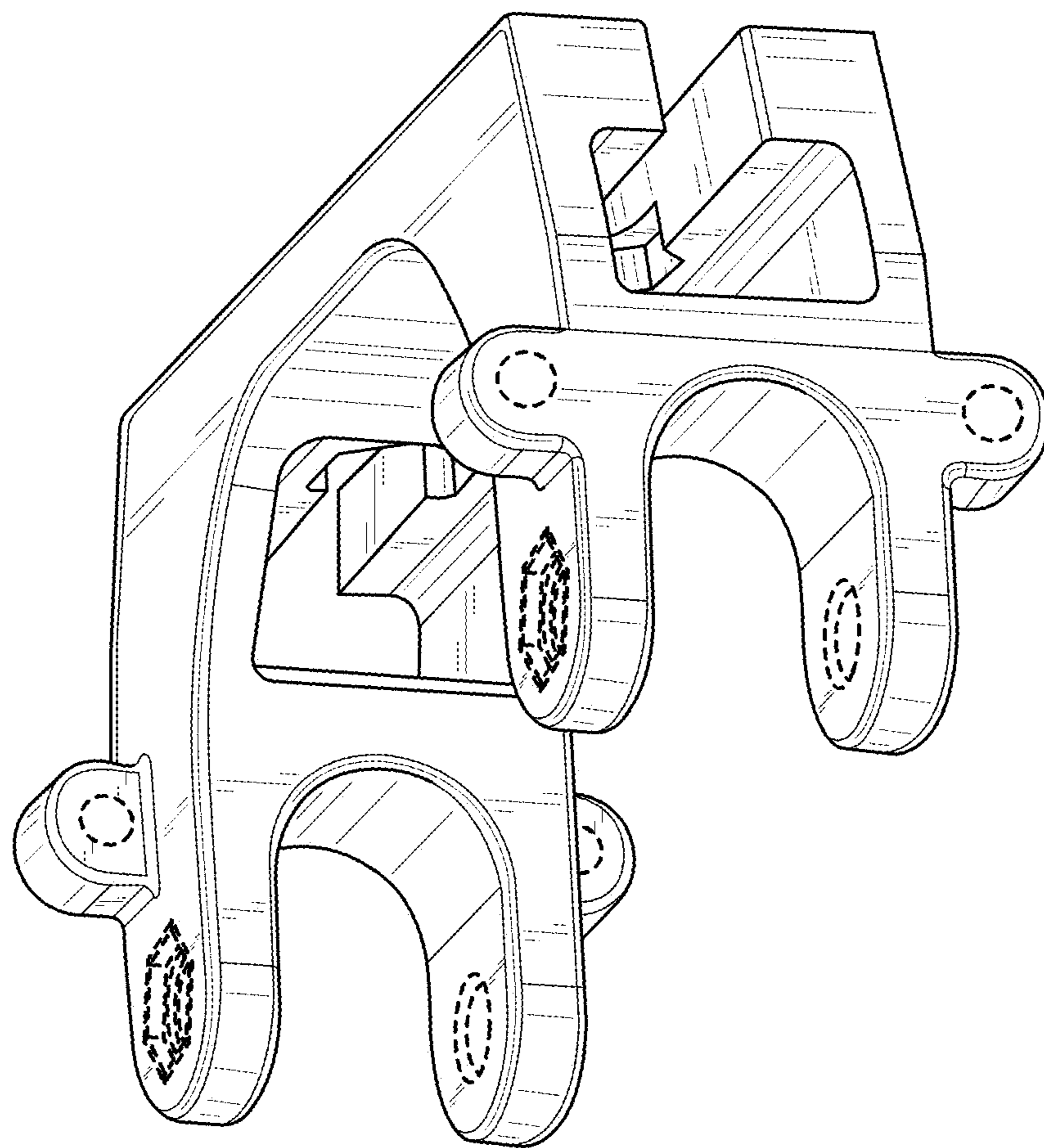


FIG. 8