



US00D880278S

(12) **United States Design Patent**
Jaramillo

(10) **Patent No.:** **US D880,278 S**

(45) **Date of Patent:** **** Apr. 7, 2020**

(54) **SUPPORT LEG**

6,941,596 B2 * 9/2005 Schuman A47C 19/024

5/200.1

(71) Applicant: **Concept Clean Energy, LLC**, Laguna Beach, CA (US)

D567,634 S * 4/2008 Sorkin D8/354

* cited by examiner

(72) Inventor: **Elliot L Jaramillo**, Berkeley, CA (US)

Primary Examiner — Randall H Gholson

(73) Assignee: **Concept Clean Energy LLC**, Laguna Beach, CA (US)

(74) *Attorney, Agent, or Firm* — FisherBroyles, LLP

(**) Term: **15 Years**

(21) Appl. No.: **29/666,866**

(22) Filed: **Oct. 16, 2018**

(51) **LOC (12) Cl.** **08-05**

(52) **U.S. Cl.**

USPC **D8/354**

(58) **Field of Classification Search**

USPC D8/374, 380, 400, 402; D6/709.21; 248/345, 345.1

CPC . A47C 19/005; A47C 19/021; A47C 19/0024; A47C 19/0025; A47C 19/04

See application file for complete search history.

(56) **References Cited**

U.S. PATENT DOCUMENTS

D482,262 S * 11/2003 Sorkin D8/354

D500,665 S * 1/2005 Sorkin D8/354

(57) **CLAIM**

The ornamental design for a support leg, as shown and described.

DESCRIPTION

FIG. 1 is an elevated, front perspective view of a support leg showing the new design.

FIG. 2 is a front plan view thereof.

FIG. 3 is a rear plan view thereof.

FIG. 4 is a right side view thereof.

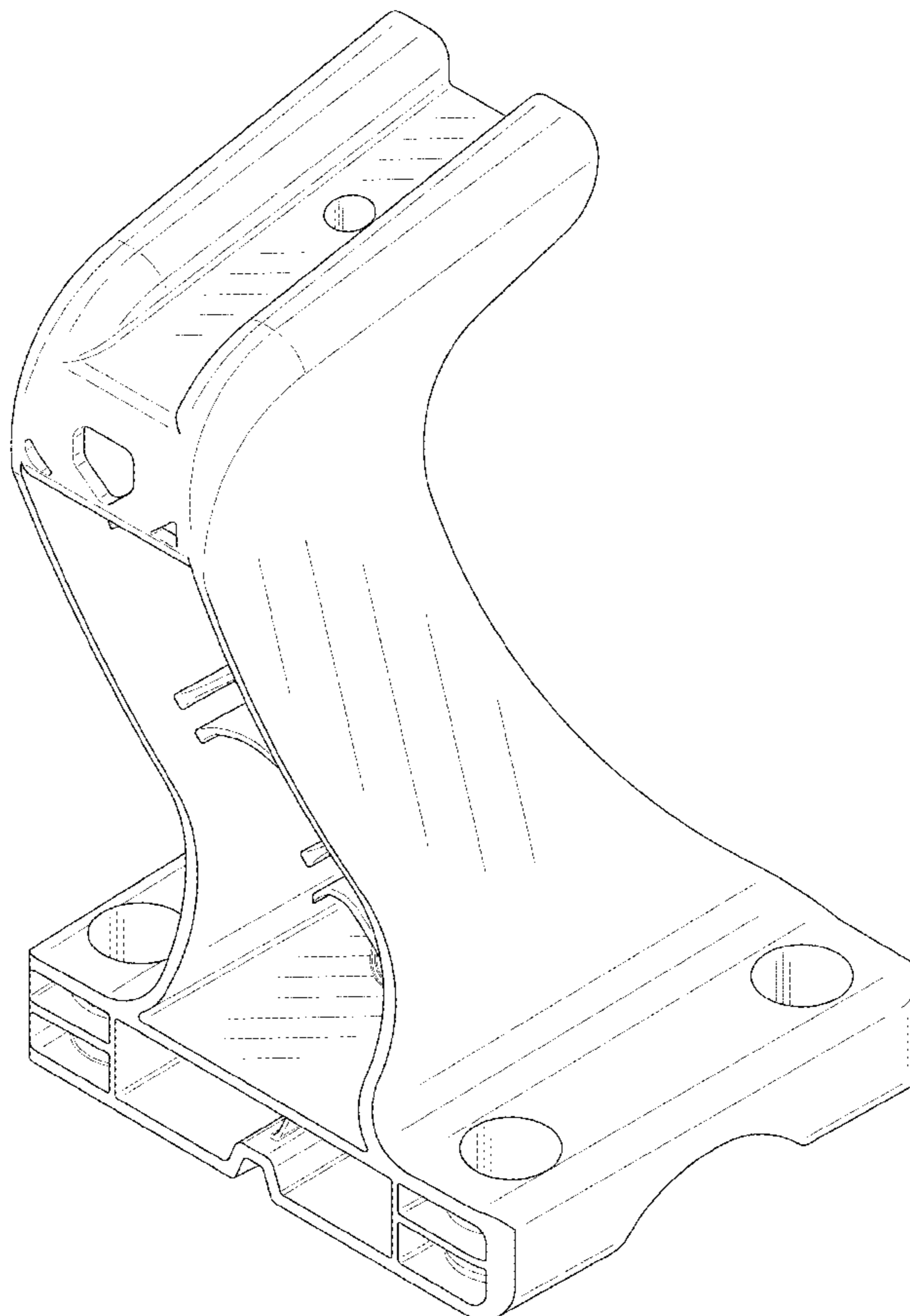
FIG. 5 is a left side view thereof.

FIG. 6 is a top side view thereof.

FIG. 7 is a bottom view thereof; and,

FIG. 8 is a bottom front perspective view thereof.

1 Claim, 8 Drawing Sheets



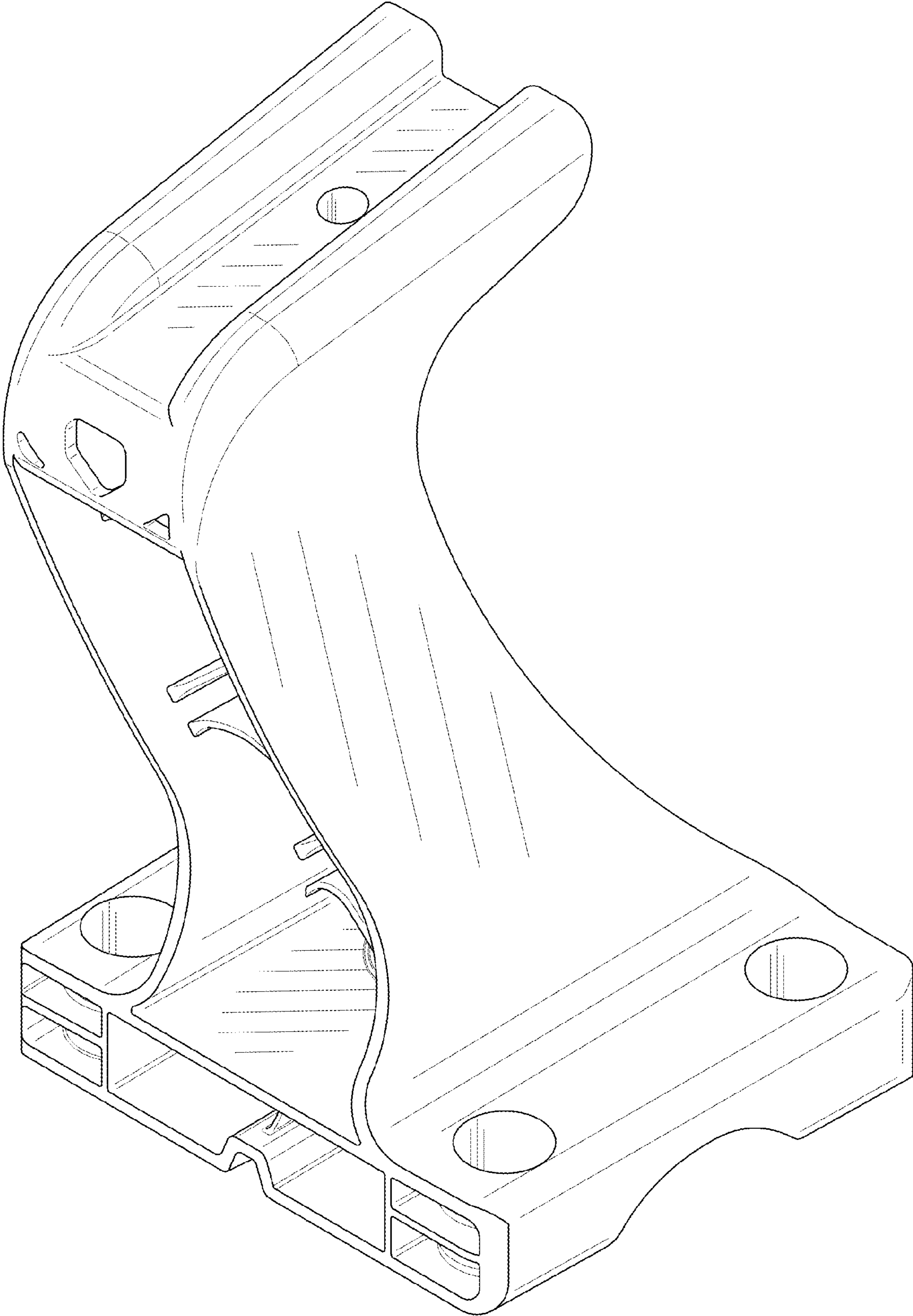


FIG. 1

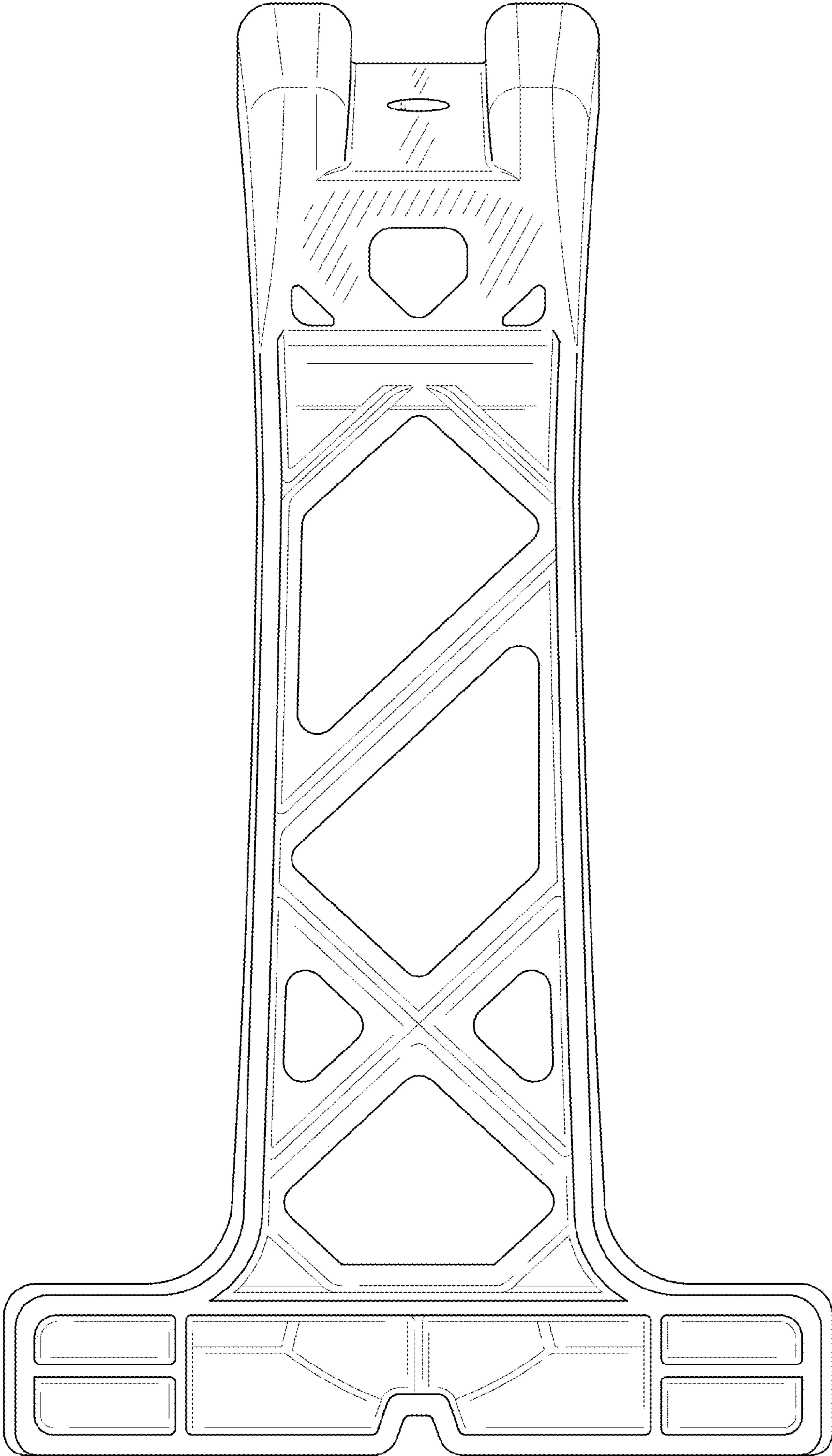


FIG. 2

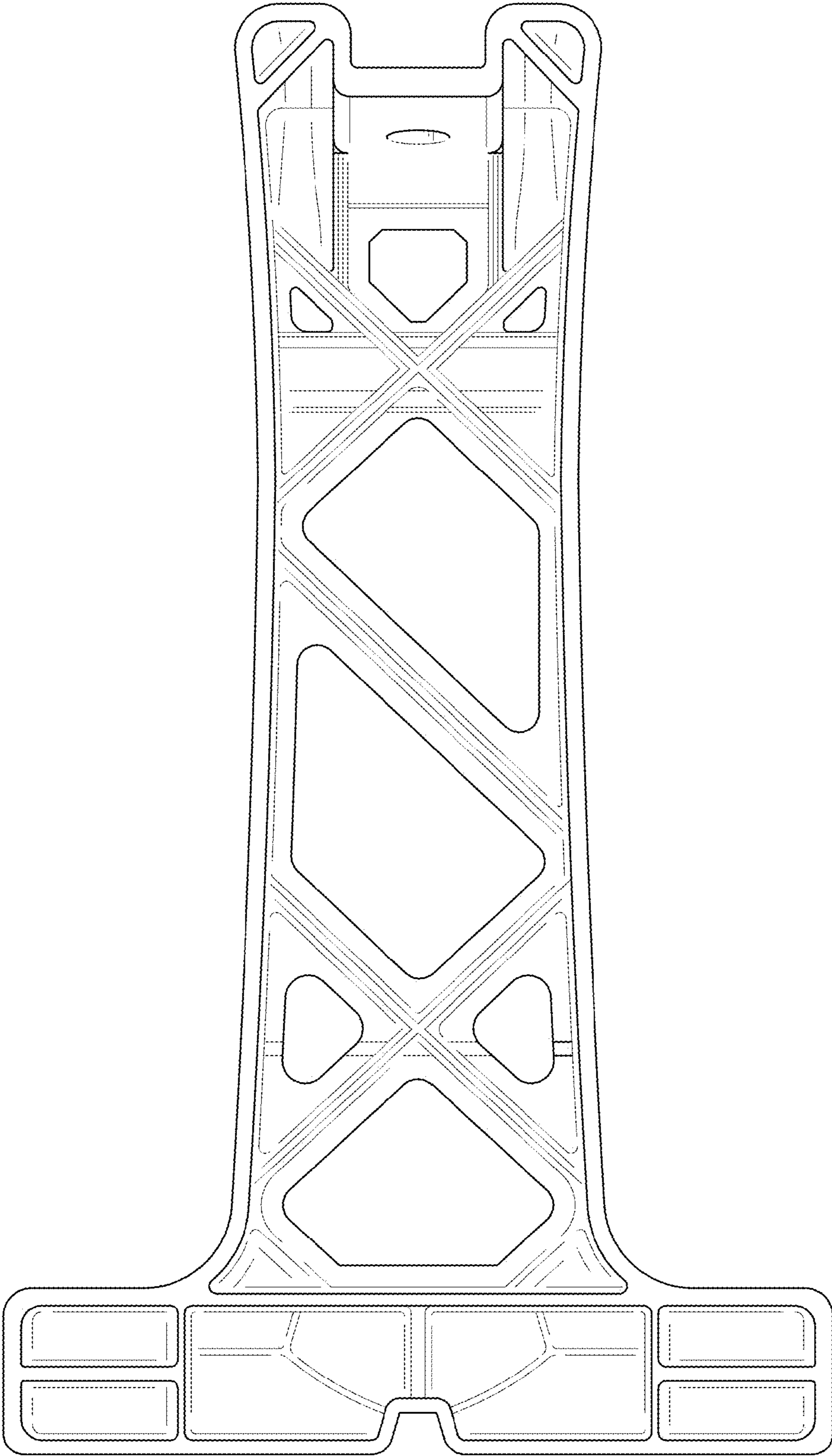


FIG. 3

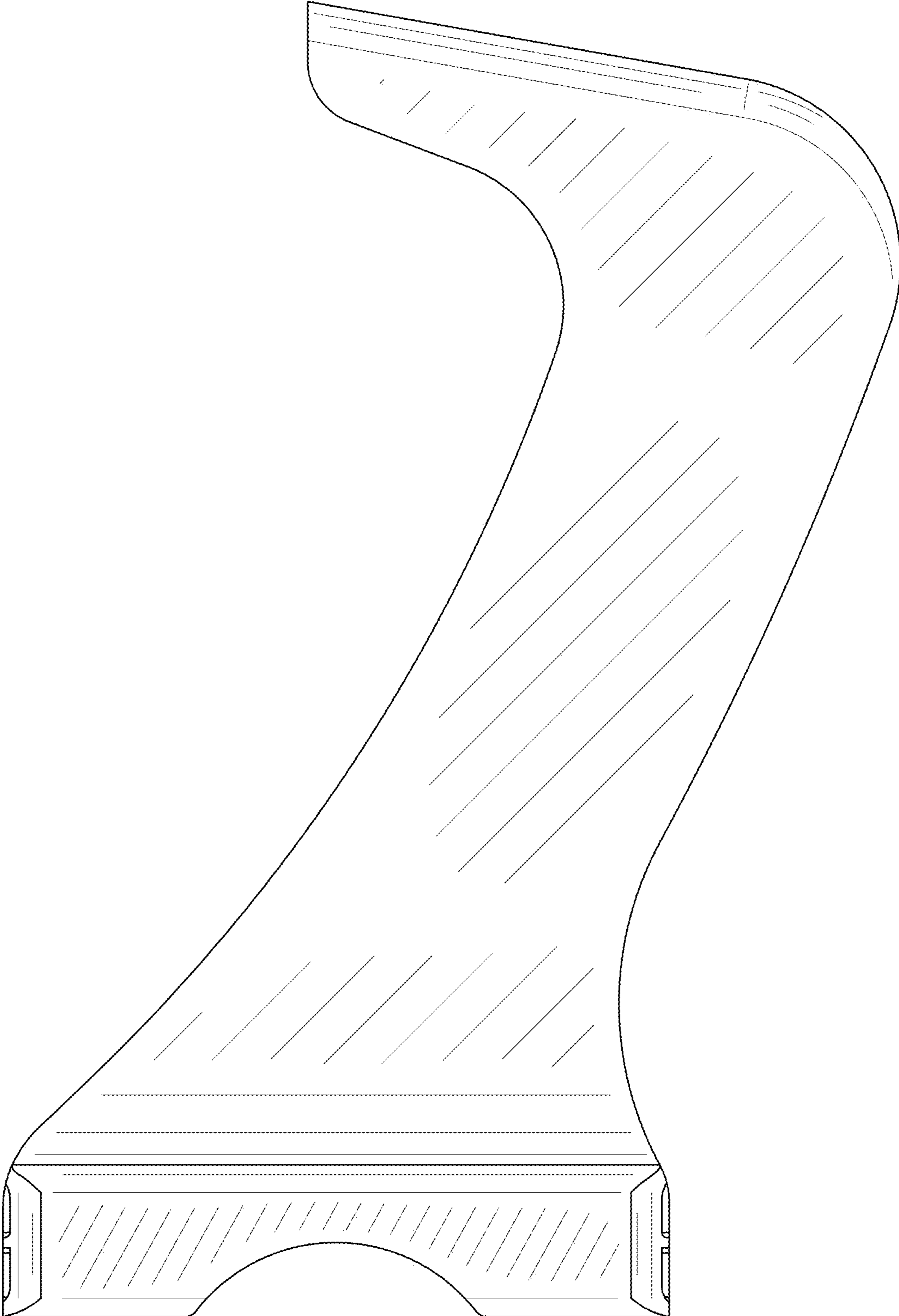


FIG. 4

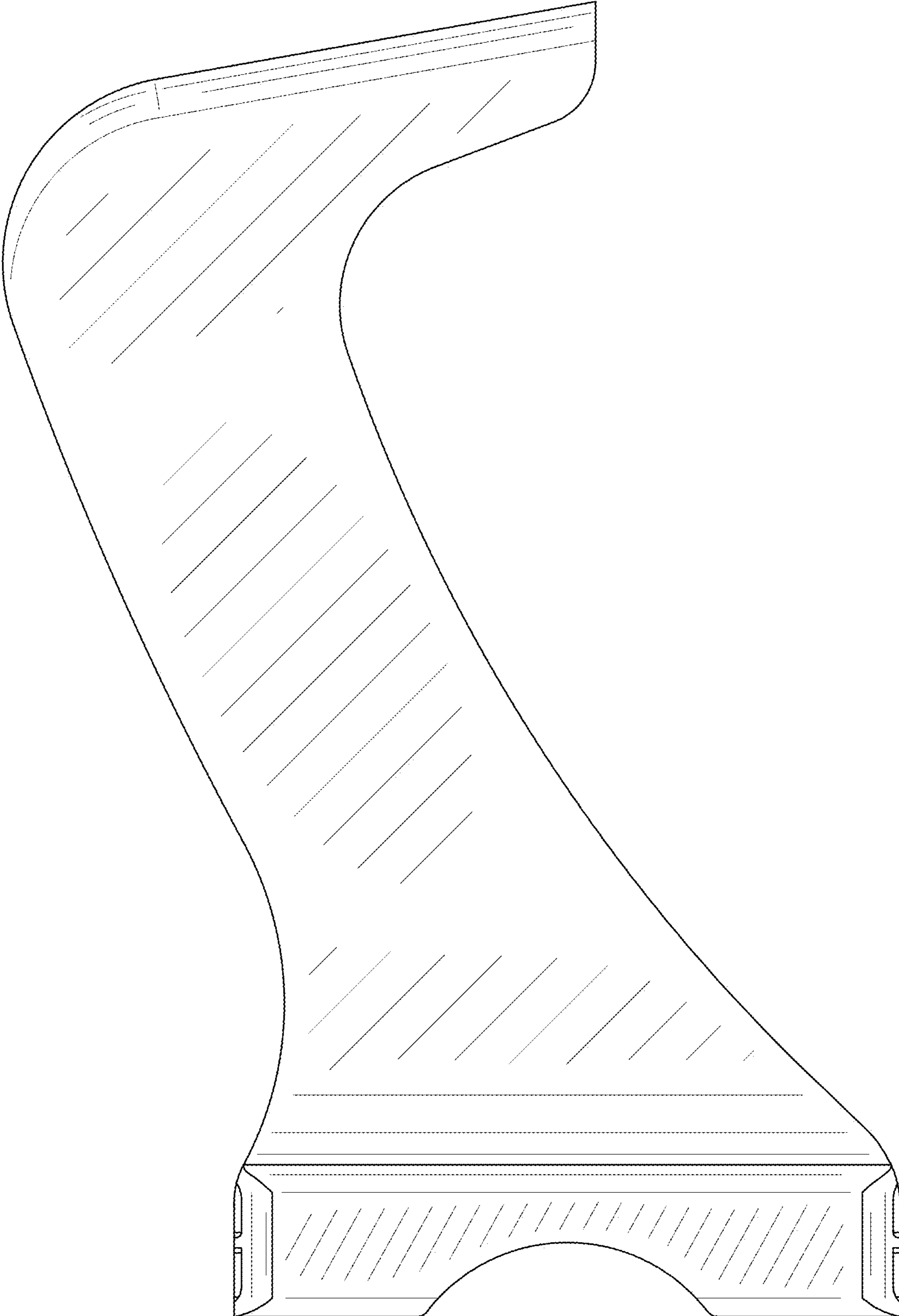


FIG. 5

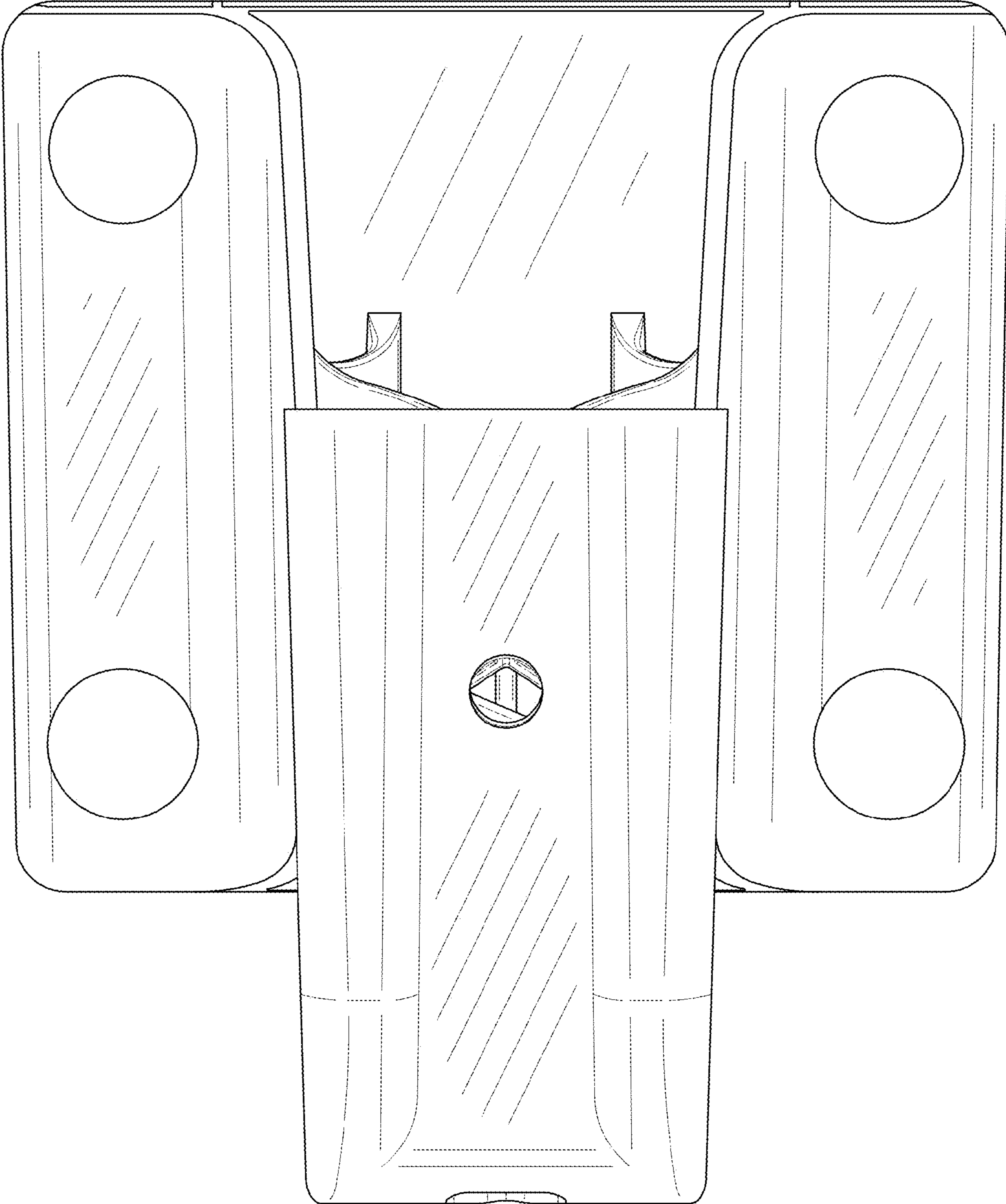


FIG. 6

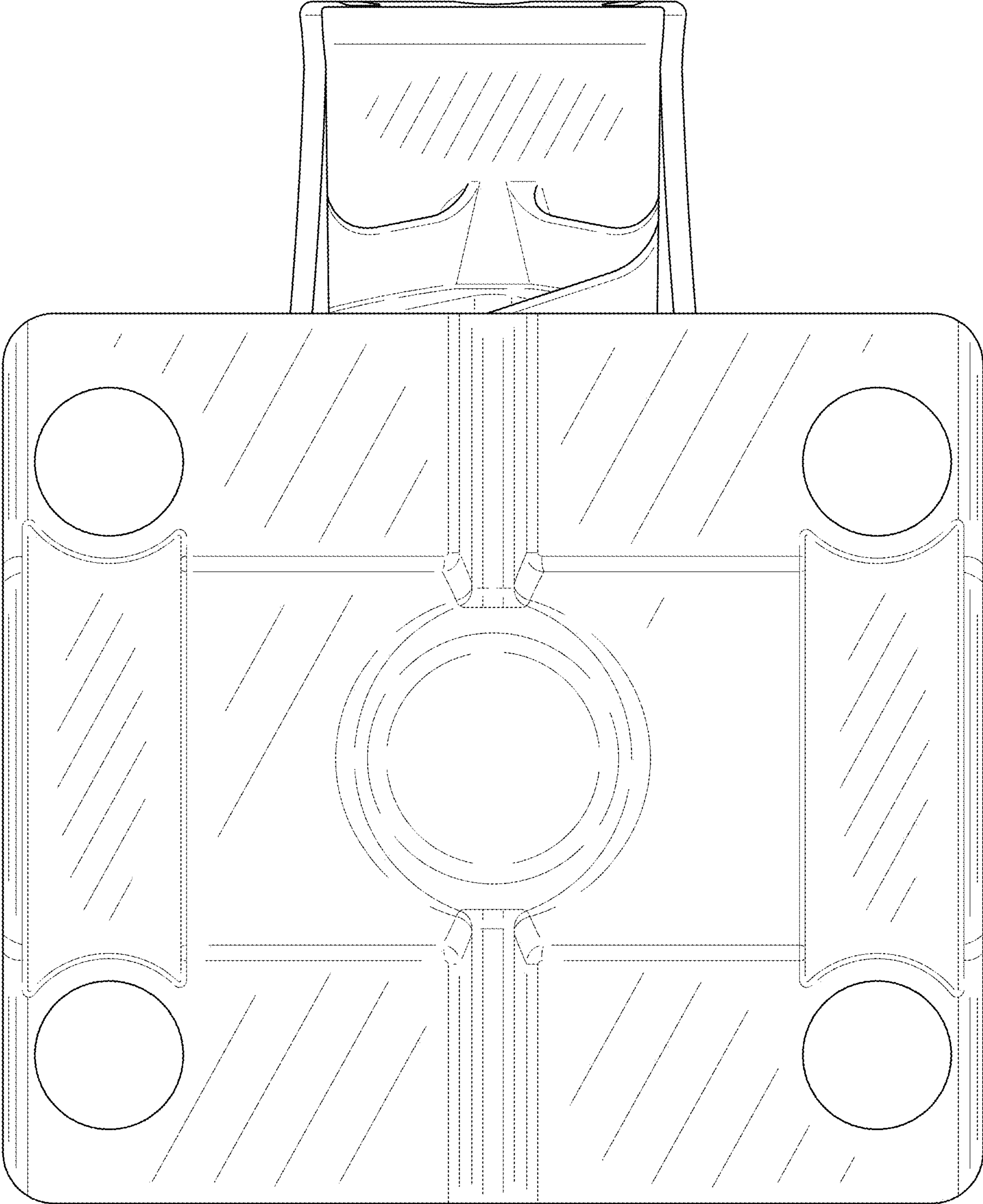


FIG. 7

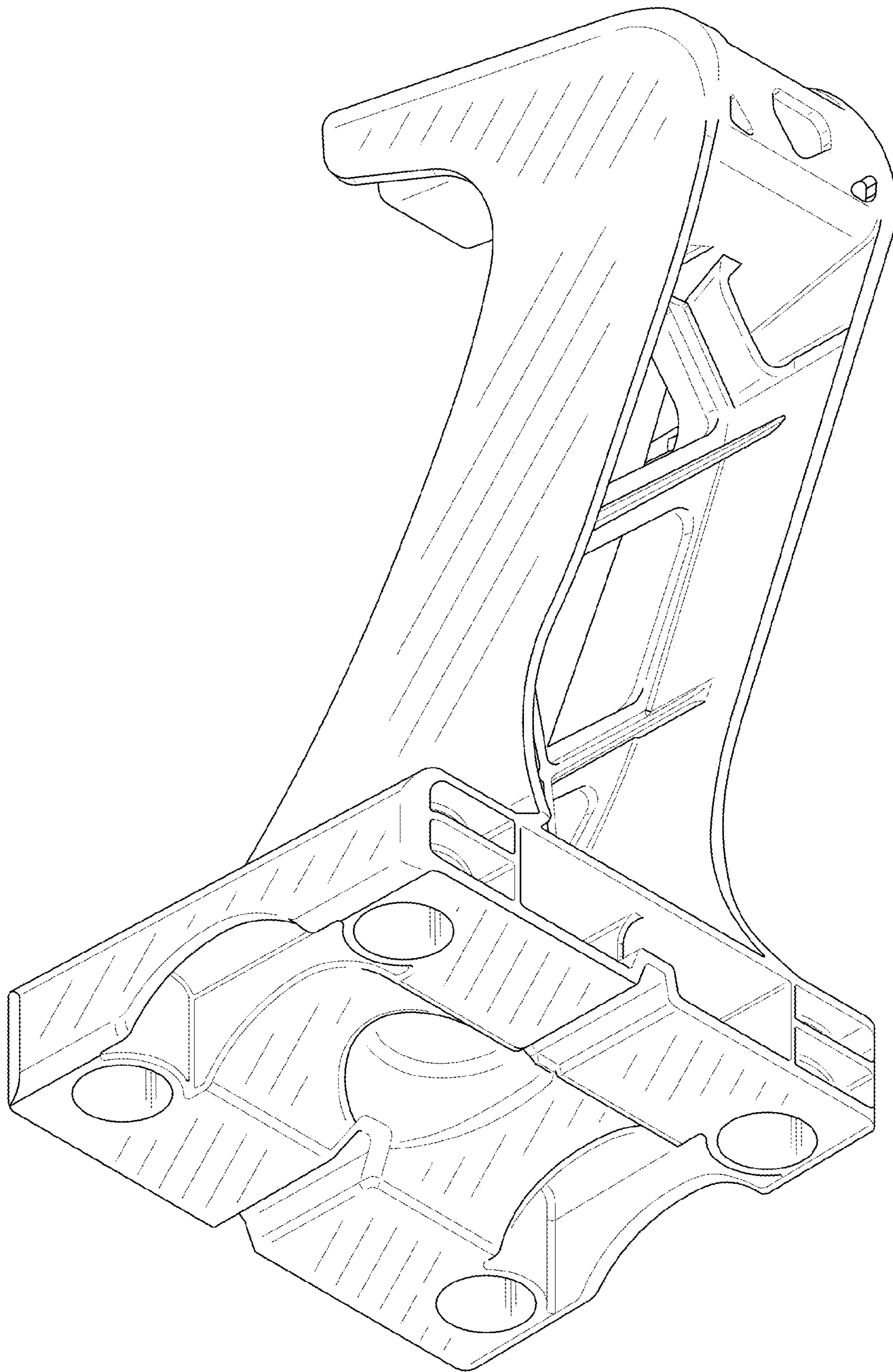


FIG. 8