



US00D880277S

(12) **United States Design Patent**  
**Perry**

(10) **Patent No.:** **US D880,277 S**

(45) **Date of Patent:** **\*\* Apr. 7, 2020**

- (54) **SUPPORT DEVICE**
- (71) Applicant: **Project Innovation LLC**, Dowelltown, TN (US)
- (72) Inventor: **Todd S. Perry**, Dowelltown, TN (US)
- (73) Assignee: **Project Innovation LLC**, Dowelltown, TN (US)

D473,123	S	*	4/2003	Anderson	.....	D8/354
D521,852	S	*	5/2006	Hall	.....	D8/354
7,258,197	B1	*	8/2007	Wicks	.....	E04G 5/06 182/82
7,703,732	B2	*	4/2010	Dantuono	.....	A47G 7/045 211/90.03
D708,933	S	*	7/2014	Kats	.....	D8/381
D737,256	S	*	8/2015	Harvey	.....	D14/238

(\*\*) Term: **15 Years**

(21) Appl. No.: **29/637,547**

(22) Filed: **Feb. 20, 2018**

(51) **LOC (12) Cl.** ..... **08-05**

(52) **U.S. Cl.**  
USPC ..... **D8/354**

(58) **Field of Classification Search**  
USPC ..... D8/349, 354, 380, 363; D12/106;  
D25/62, 68, 67, 66; D26/140  
CPC ..... E04G 5/00; E04G 5/06  
See application file for complete search history.

(56) **References Cited**

**U.S. PATENT DOCUMENTS**

1,595,643	A	*	8/1926	Clark	.....	E04G 5/06 248/220.1
3,322,387	A	*	5/1967	Fortin, Sr.	.....	E04G 5/062 248/235
D303,018	S	*	8/1989	Yates	.....	D26/140
4,909,350	A	*	3/1990	Jacobs	.....	E04G 5/062 182/82
5,259,477	A	*	11/1993	Fears	.....	E04G 5/06 182/82
5,535,974	A	*	7/1996	Savitski	.....	E04G 5/062 248/246
D413,681	S	*	9/1999	Zumwalt	.....	D25/68

\* cited by examiner

*Primary Examiner* — Keli L Hill

*Assistant Examiner* — Harold E Blackwell, II

(74) *Attorney, Agent, or Firm* — Mark Malek; Widerman Malek, PL

(57) **CLAIM**

The ornamental design for a support device, as shown and described.

**DESCRIPTION**

FIG. 1 is a perspective view of a support device according to the present invention.

FIG. 2 is a side elevation view of the support device illustrated in FIG. 1.

FIG. 3 is another side elevation view of the support device illustrated in FIG. 1.

FIG. 4 is a top plan view of the support device illustrated in FIG. 1.

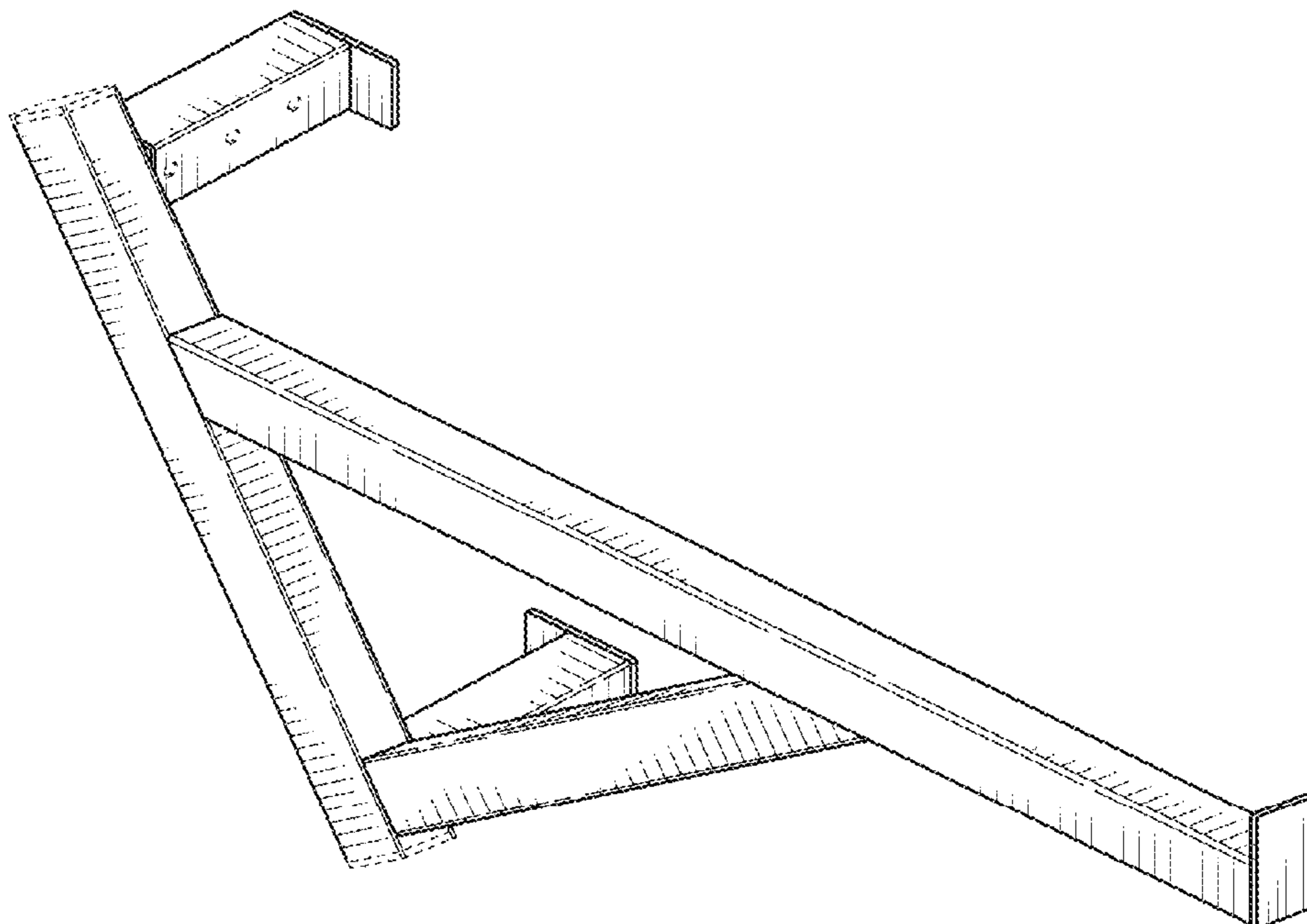
FIG. 5 is a bottom plan view of the support device illustrated in FIG. 1.

FIG. 6 is a front elevation view of the support device illustrated in FIG. 1; and,

FIG. 7 is a rear elevation view of the support device illustrated in FIG. 1.

The broken lines in the drawings illustrate portions of a support device which form no part of the claimed design.

**1 Claim, 3 Drawing Sheets**



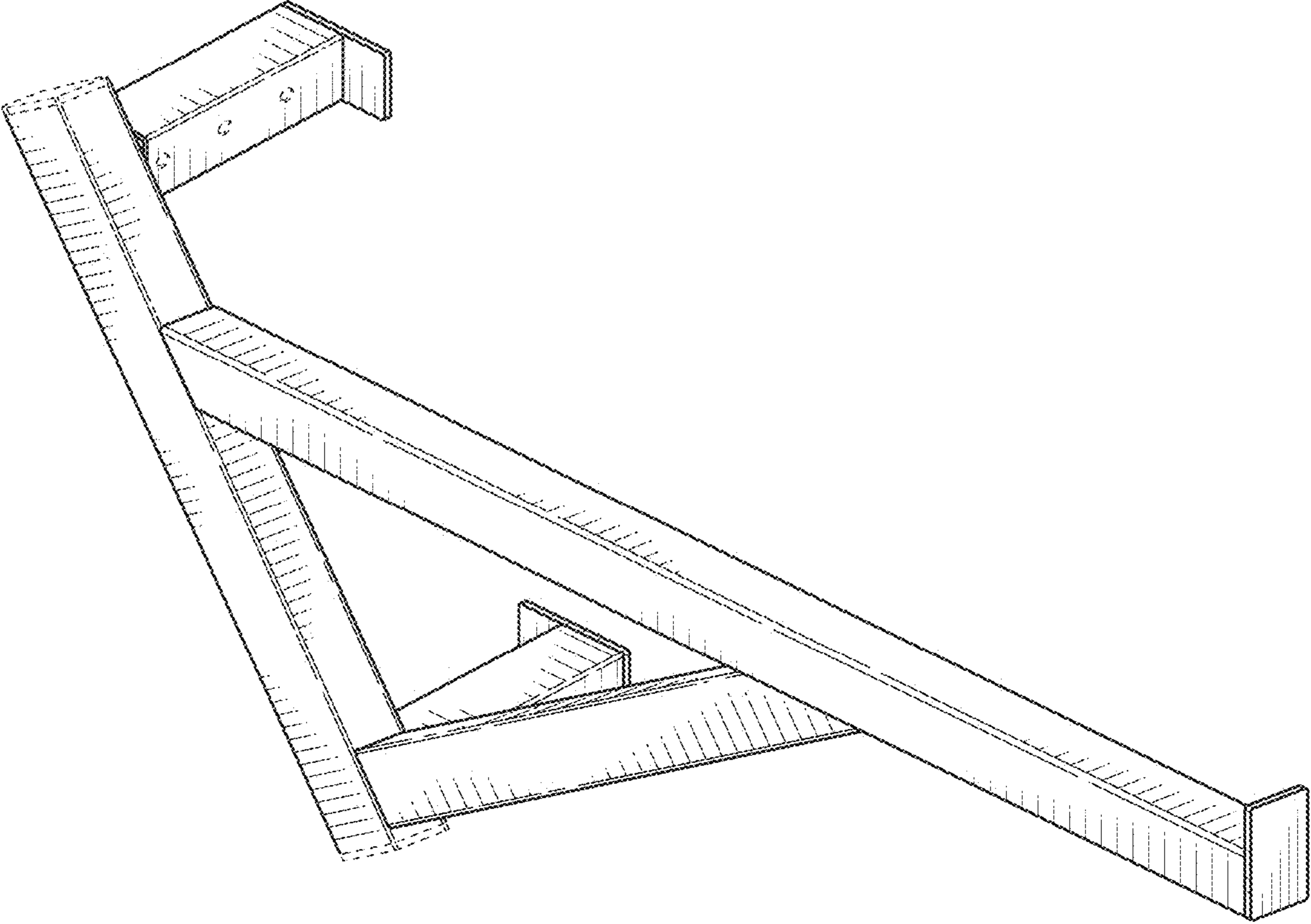


FIG. 1

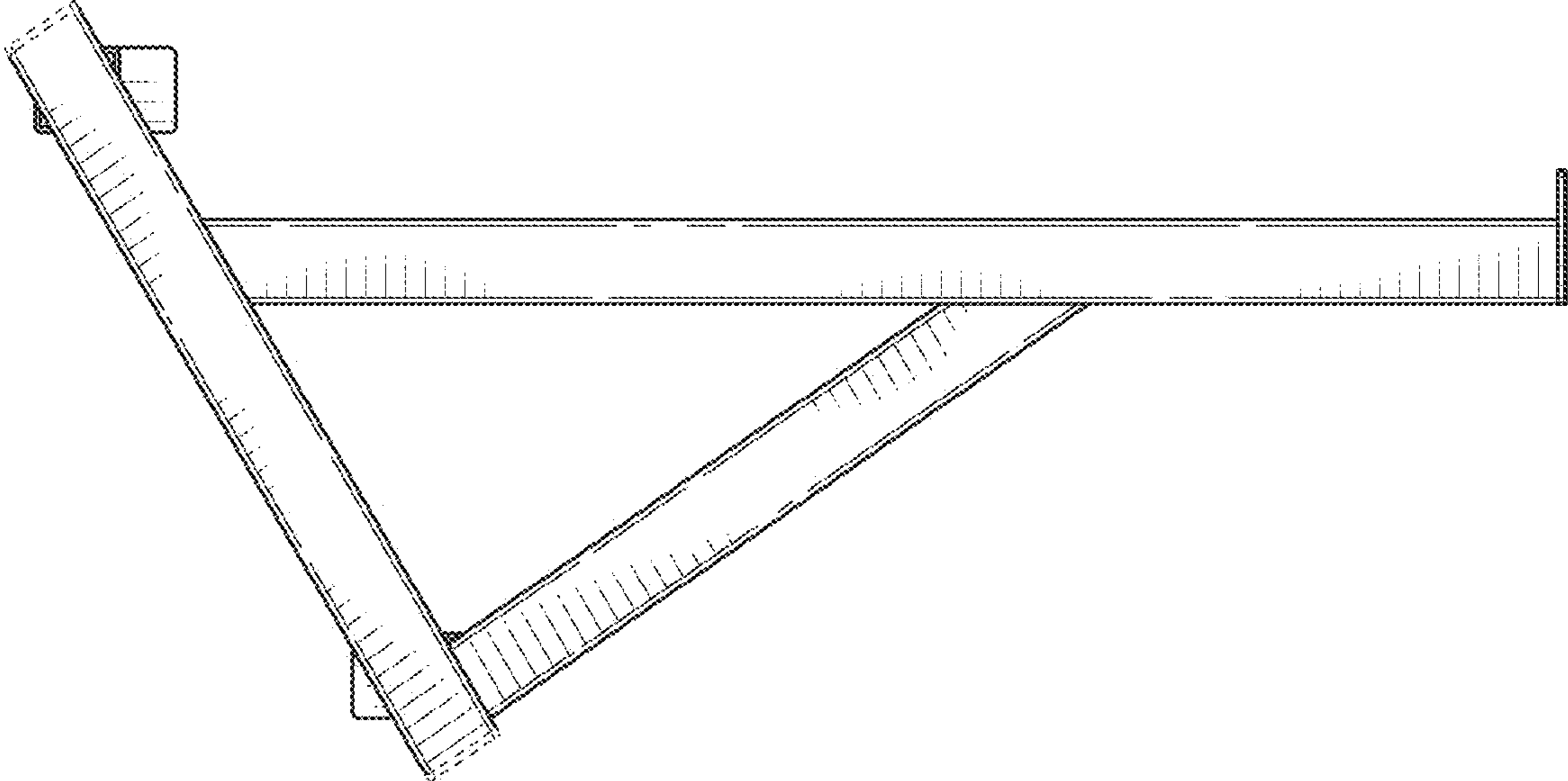


FIG. 2

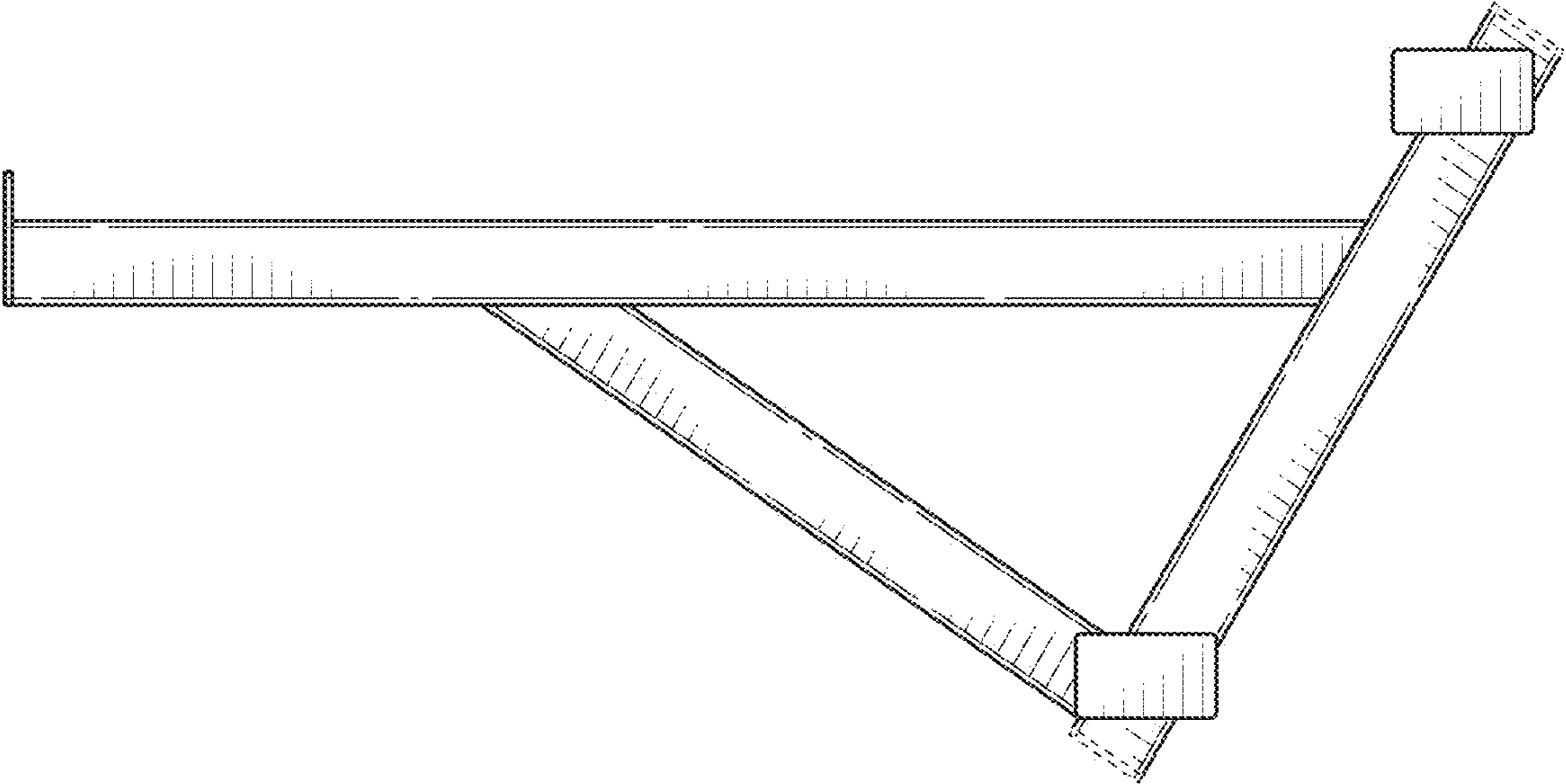


FIG. 3

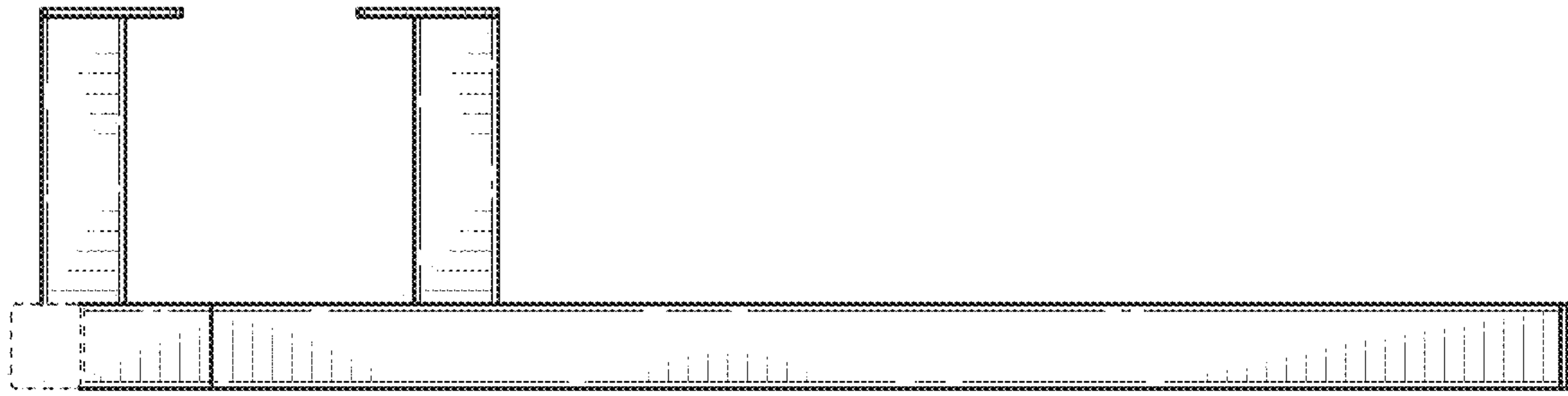


FIG. 4

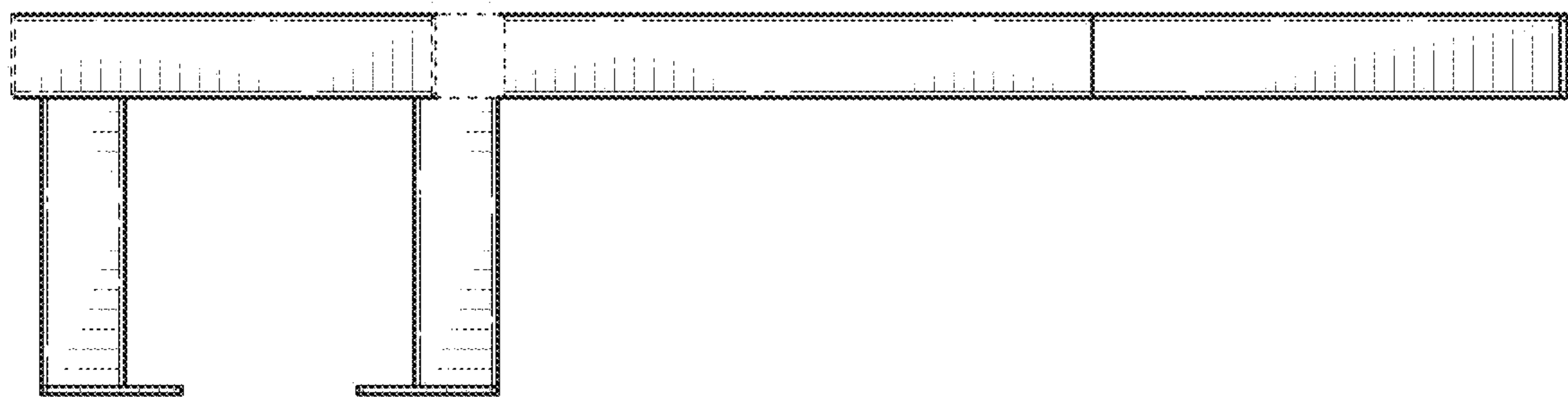


FIG. 5

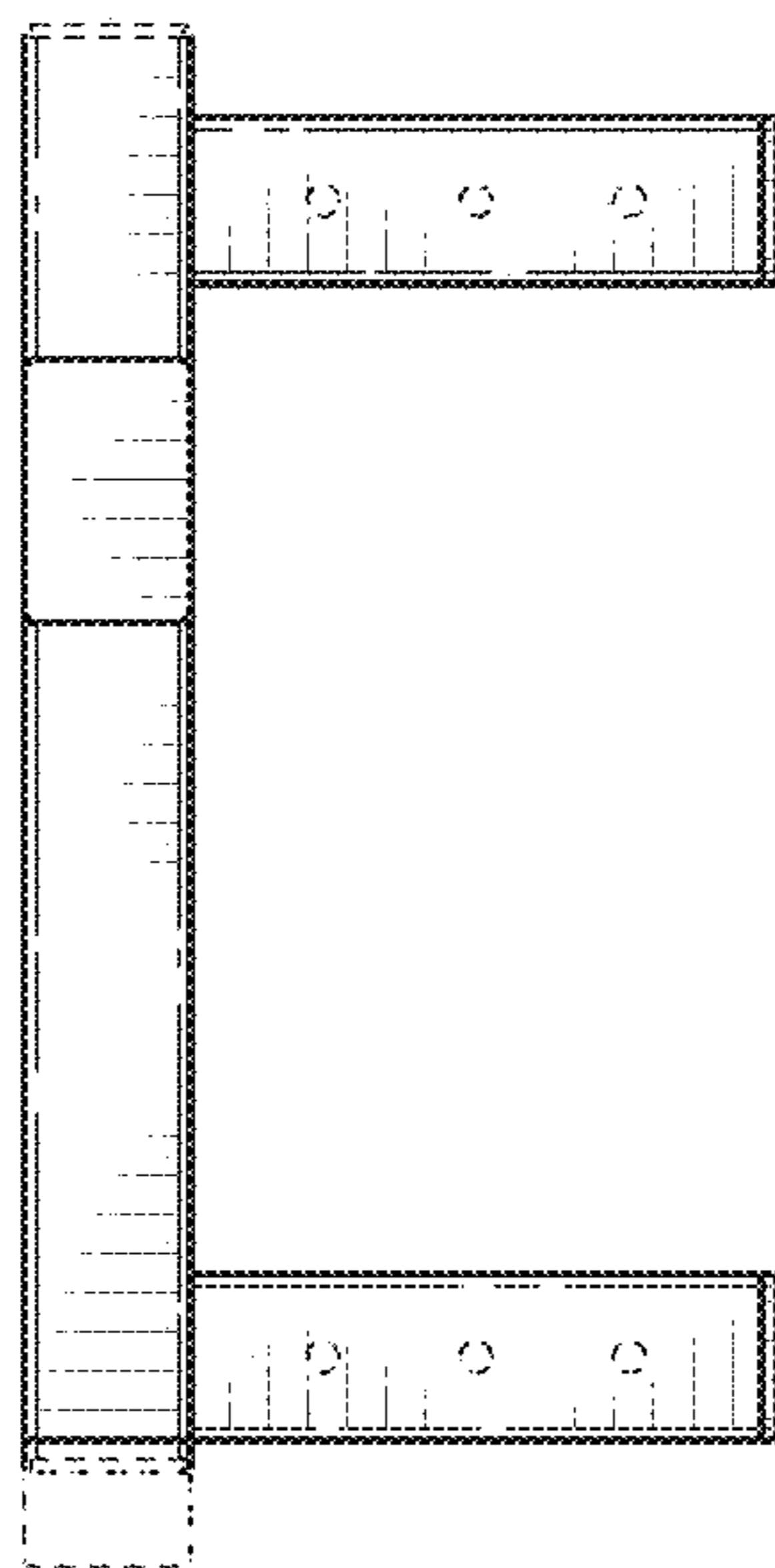


FIG. 6

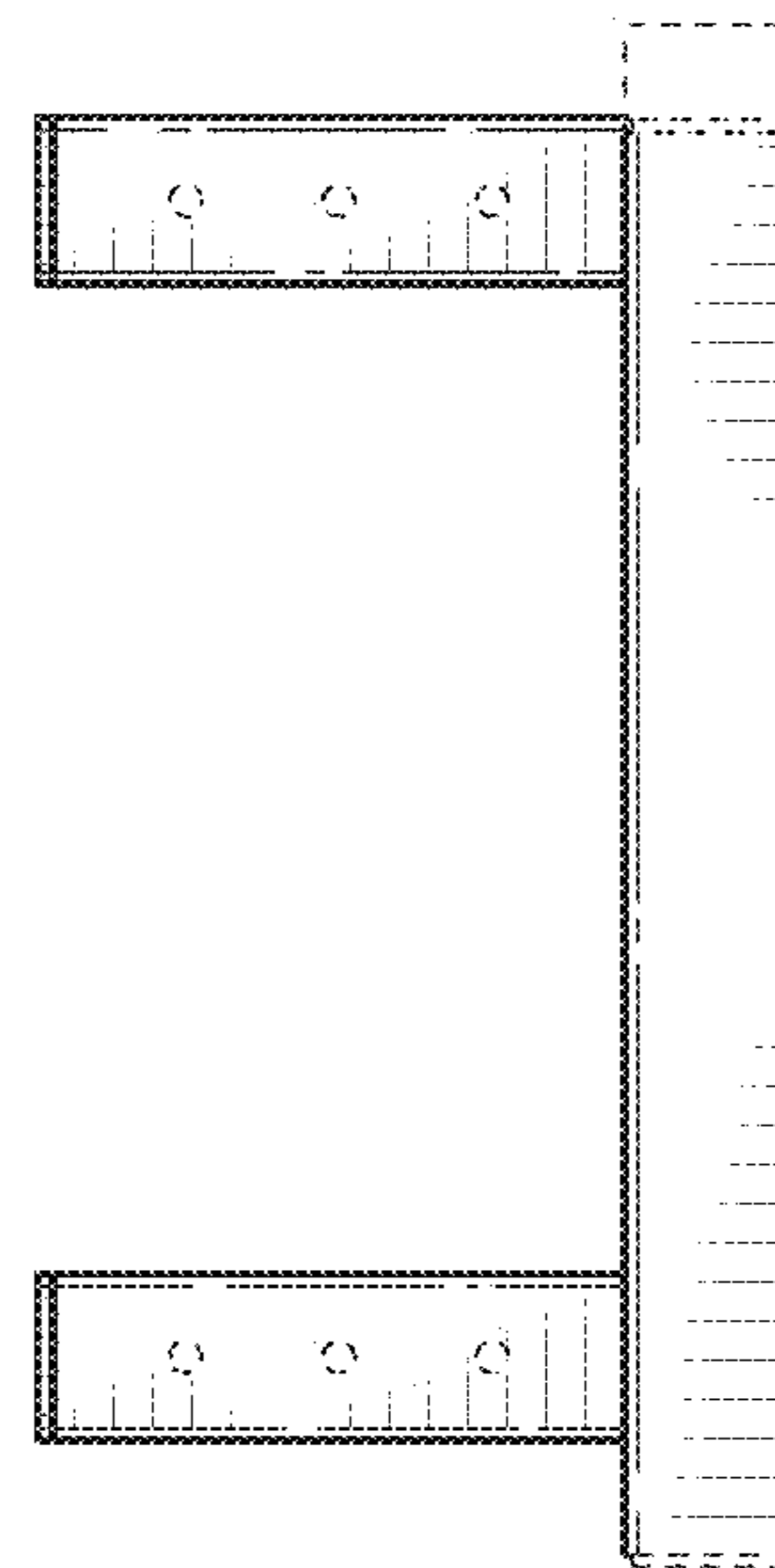


FIG. 7