



US00D880276S

(12) **United States Design Patent** (10) **Patent No.:** **US D880,276 S**  
**Sola** (45) **Date of Patent:** **\*\* Apr. 7, 2020**

(54) **FACEPLATE**  
(71) Applicant: **Kohler Co.**, Kohler, WI (US)  
(72) Inventor: **Ferran Serra Sola**, Paris (FR)  
(73) Assignee: **KOHLER CO.**, Kohler, WI (US)  
(\*\*) Term: **15 Years**  
(21) Appl. No.: **29/582,148**  
(22) Filed: **Oct. 25, 2016**  
(30) **Foreign Application Priority Data**

May 13, 2016 (EM) ..... 003127729  
(51) **LOC (12) Cl.** ..... **11-05**  
(52) **U.S. Cl.**  
USPC ..... **D8/353**  
(58) **Field of Classification Search**  
USPC ..... D8/330, 331, 336, 338, 339, 340, 343,  
D8/350-352, 300, 301  
CPC ..... G05B 19/00; G05B 15/00; E05B 49/00;  
E05B 49/02; E05B 9/00; E05B 17/00;  
E05B 37/00; E05B 3/00; E05B 13/103;  
E05B 1/00; E05B 47/00  
See application file for complete search history.

(56) **References Cited**  
U.S. PATENT DOCUMENTS  
6,803,522 B2 \* 10/2004 Skakun ..... H02G 3/14  
174/50  
D510,256 S \* 10/2005 Genelle ..... D8/353  
7,071,413 B1 \* 7/2006 Paape ..... H02G 1/00  
174/66  
D540,651 S \* 4/2007 Wolf, V ..... D8/331  
D583,205 S \* 12/2008 Waliszewski ..... D8/14  
D628,044 S \* 11/2010 Schutte ..... D13/156

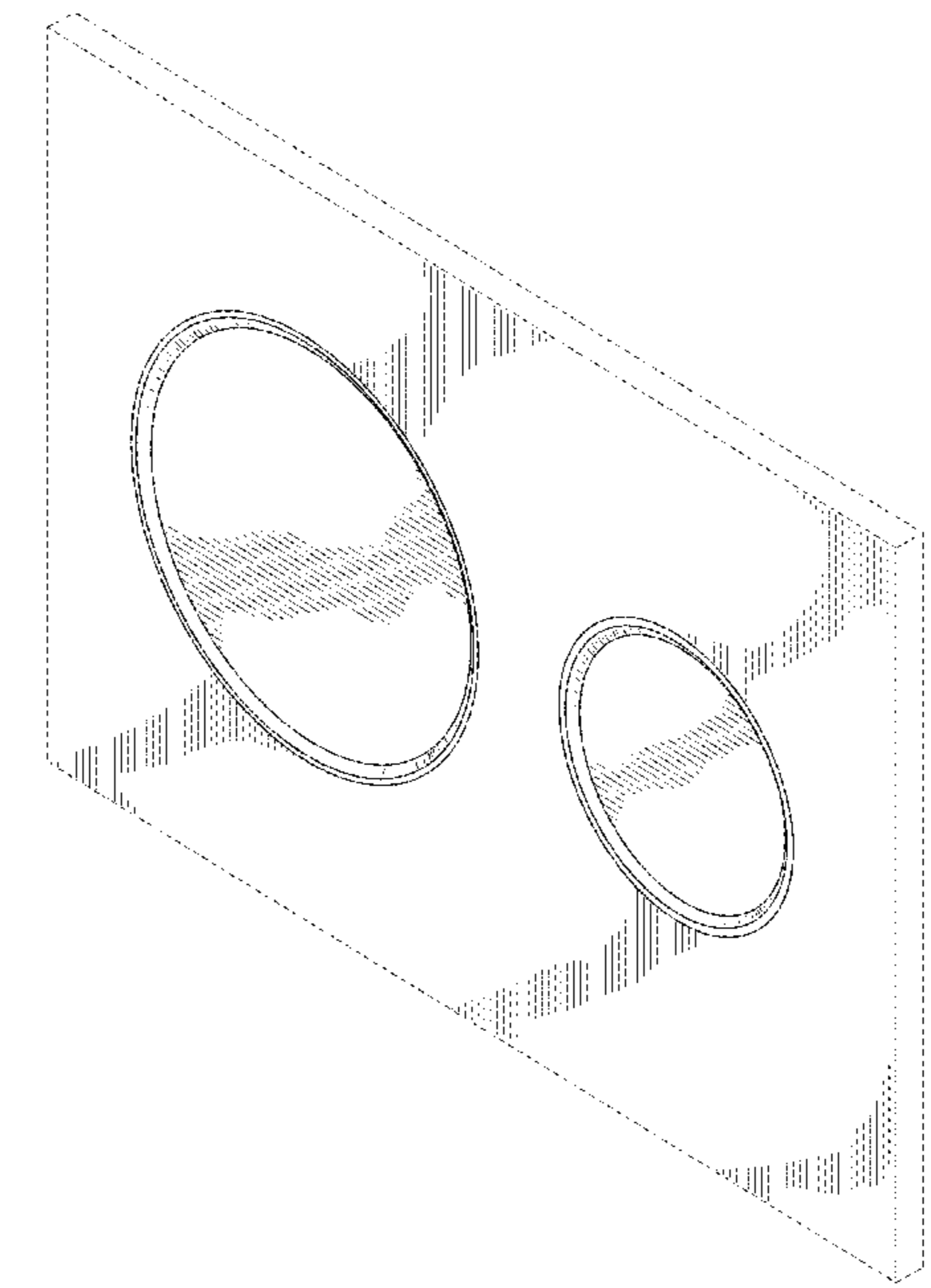
D628,045 S \* 11/2010 Schutte ..... D13/156  
D628,046 S \* 11/2010 Schutte ..... D13/156  
D644,895 S \* 9/2011 Erdfarb ..... D8/14  
D705,039 S \* 5/2014 Dillard ..... D8/343  
D760,173 S \* 6/2016 Baker ..... D13/156

\* cited by examiner  
*Primary Examiner* — Mark A Goodwin  
*Assistant Examiner* — Benjamin M Weeks  
(74) *Attorney, Agent, or Firm* — Foley & Lardner LLP

(57) **CLAIM**  
I claim the ornamental design for a faceplate, as shown and described.

**DESCRIPTION**  
FIG. 1 is a top, front, left perspective view of a faceplate showing my new design;  
FIG. 2 is a front elevation view thereof;  
FIG. 3 is a top plan view thereof, the bottom plan view thereof being a mirror image of the top plan view shown;  
FIG. 4 is a right side elevation view thereof, the left side elevation view thereof being a mirror image of the right side elevation view shown; and,  
FIG. 5 is a cross-sectional view thereof taken along line 5-5 of FIG. 2.  
The ornamental design which is claimed is shown in solid lines in the drawings. The broken lines in the drawings are for illustrative purposes only and form no part of the claimed design. Broken lines formed by equal length dashes in the drawings illustrate unclaimed portions of the design. Broken lines formed of unequal length dashes (i.e., dash-dot) show boundaries between claimed and unclaimed portions of the design. Portions shown in stipple shading as opposed to line shading show contrasting surfaces unlimited by color, texture, or surface finish.

**1 Claim, 3 Drawing Sheets**



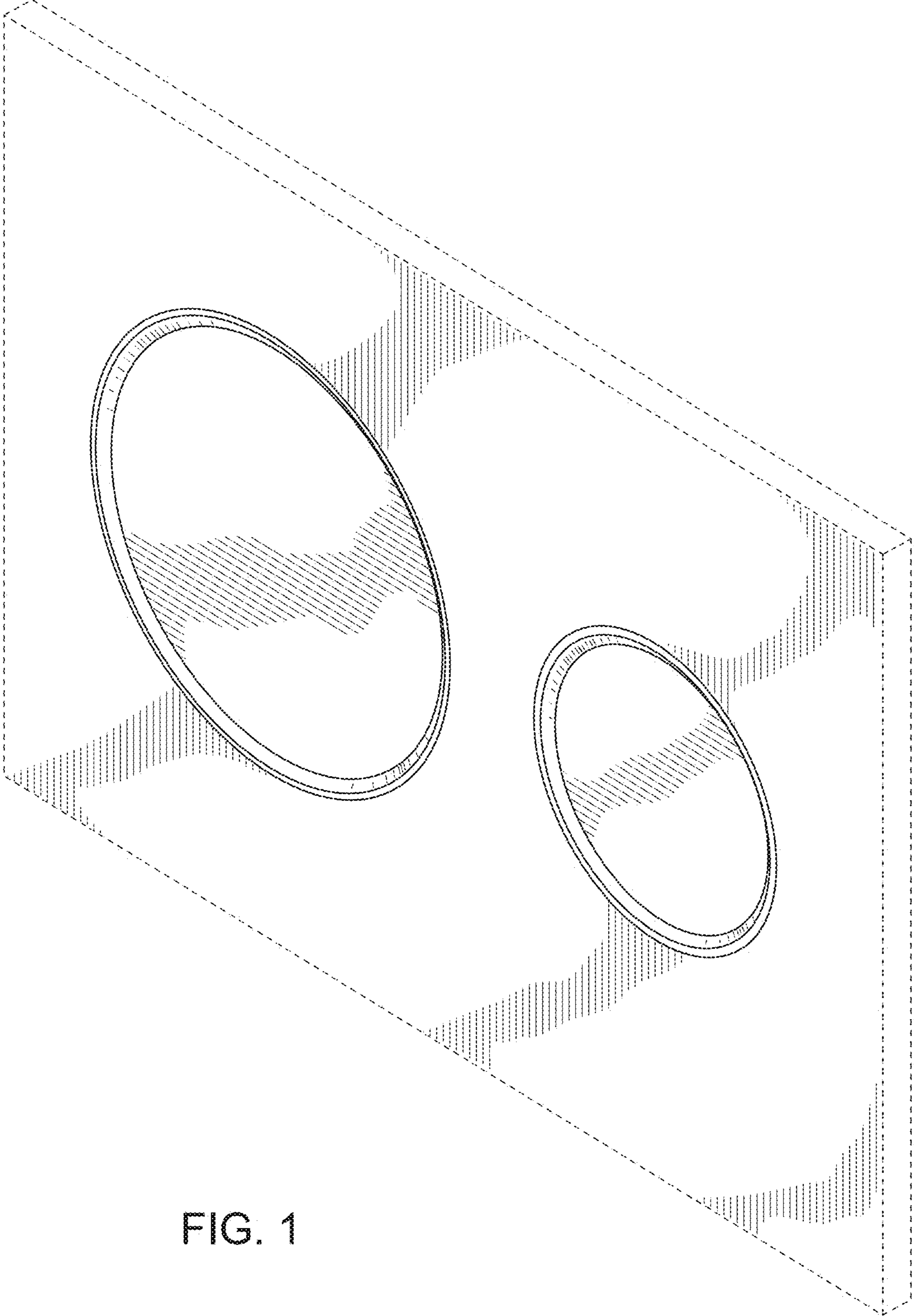


FIG. 1

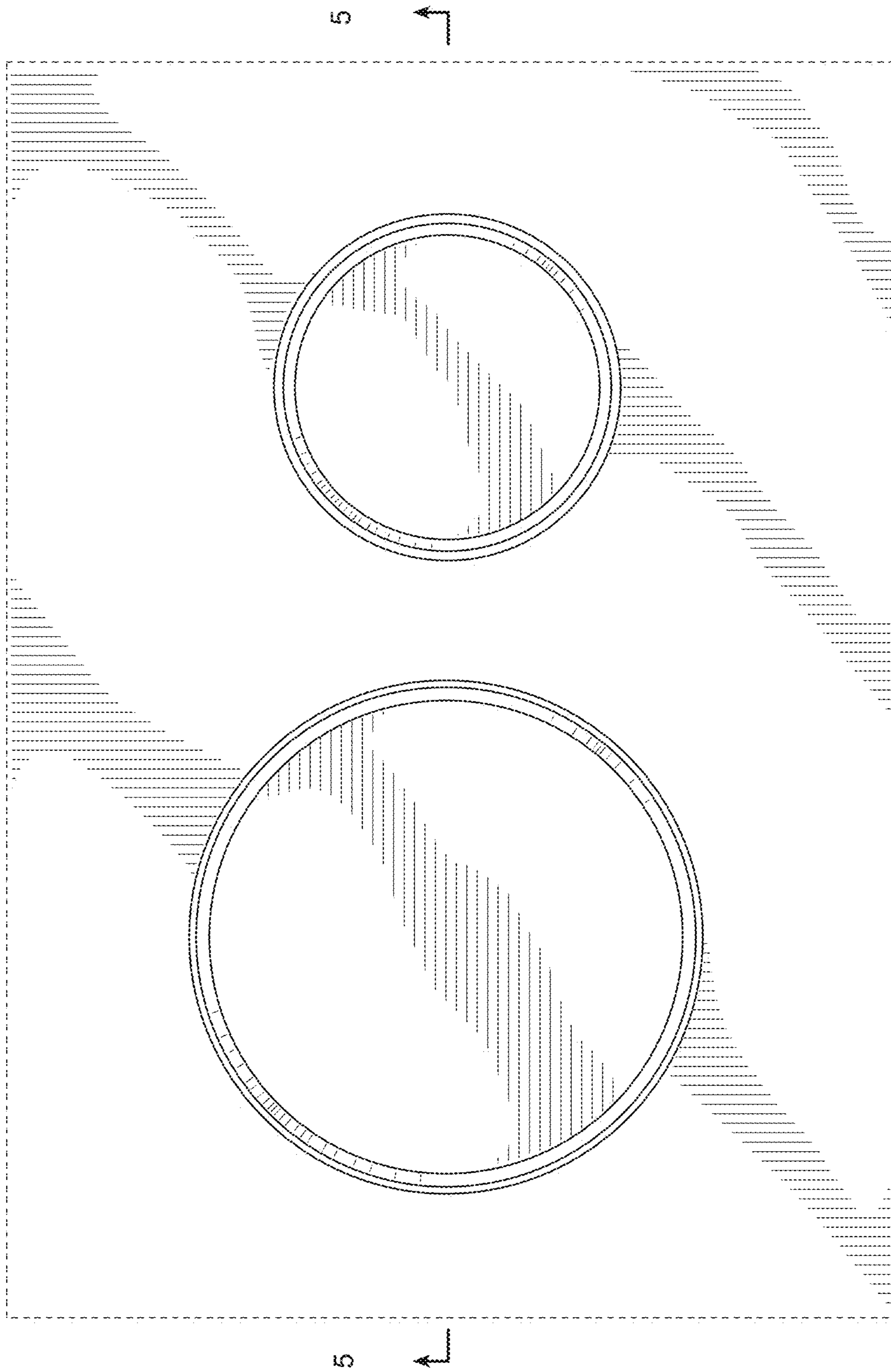


FIG. 2

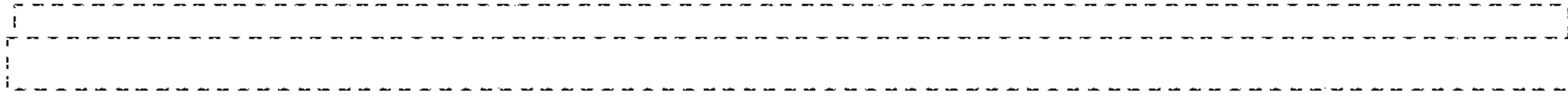


FIG. 4

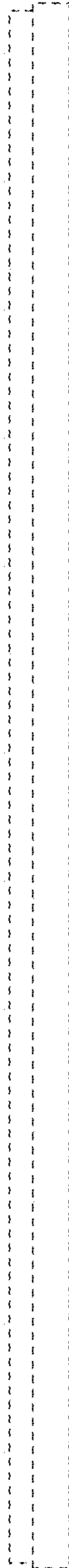


FIG. 3



FIG. 5