



US00D880275S

(12) **United States Design Patent**  
**Huang et al.**

(10) **Patent No.:** **US D880,275 S**  
(45) **Date of Patent:** **\*\* Apr. 7, 2020**

- (54) **LOCK ESCUTCHEON ASSEMBLY**
- (71) Applicant: **TAIWAN FU HSING INDUSTRIAL CO., LTD.,** Kaohsiung (TW)
- (72) Inventors: **Chao-Ming Huang,** Kaohsiung (TW);  
**Chi-Ming Chen,** Kaohsiung (TW)
- (73) Assignee: **Taiwan Fu Hsing Industrial Co., Ltd.,**  
Kaohsiung (TW)
- (\*\*) Term: **15 Years**
- (21) Appl. No.: **29/673,455**
- (22) Filed: **Dec. 14, 2018**
- (30) **Foreign Application Priority Data**

D365,744	S	*	1/1996	Leung	.....	D8/331
D381,253	S	*	7/1997	Guidotti	.....	D8/331
5,987,945	A	*	11/1999	Ruano Aramburu	.....	E05B 47/0692
						70/107
D533,047	S	*	12/2006	Wright	.....	D8/330
D533,762	S	*	12/2006	Wright	.....	D8/330
D533,763	S	*	12/2006	Wright	.....	D8/330
D553,953	S	*	10/2007	Roberts	.....	D8/330
D595,109	S	*	6/2009	Doucet	.....	D8/330
D607,303	S	*	1/2010	Kim	.....	D8/331
D626,633	S	*	11/2010	Montgomery	.....	D23/254
D682,657	S	*	5/2013	Roberts, III	.....	D8/331
D682,658	S	*	5/2013	Cramer	.....	D8/331
D736,591	S	*	8/2015	Groleski	.....	D8/330
D736,596	S	*	8/2015	Warmenhoven	.....	D8/350
D737,661	S	*	9/2015	Chan	.....	D8/330
D772,691	S	*	11/2016	Han	.....	D8/330
D790,951	S	*	7/2017	Ferreira Sanchez	.....	D8/331
D792,192	S	*	7/2017	Huang	.....	D8/331

(Continued)

- Oct. 11, 2018 (TW) ..... 107306013
- (51) **LOC (12) Cl.** ..... **11-05**
- (52) **U.S. Cl.**  
USPC ..... **D8/350**
- (58) **Field of Classification Search**  
USPC ..... D8/350, 351, 352, 353, 330, 331, 336,  
D8/338, 339, 340, 343, 300, 301;  
D10/108, 123, 125, 156, 158, 162, 169,  
D10/171, 174, 177, 184  
CPC ..... G05B 19/00; G05B 15/00; E05B 49/00;  
E05B 49/02; E05B 9/00; E05B 17/00;  
E05B 37/00; E05B 3/00; E05B 13/103;  
E05B 1/00; E05B 47/00; Y10T 70/8324;  
Y10T 70/8459; Y10T 70/8514; Y10T  
70/8568  
See application file for complete search history.

(56) **References Cited**  
U.S. PATENT DOCUMENTS

D349,037	S	*	7/1994	Carsello	.....	D8/350
D351,982	S	*	11/1994	Chen	.....	D8/301

*Primary Examiner* — Mark A Goodwin  
*Assistant Examiner* — Benjamin M Weeks  
(74) *Attorney, Agent, or Firm* — Rosenberg, Klein & Lee

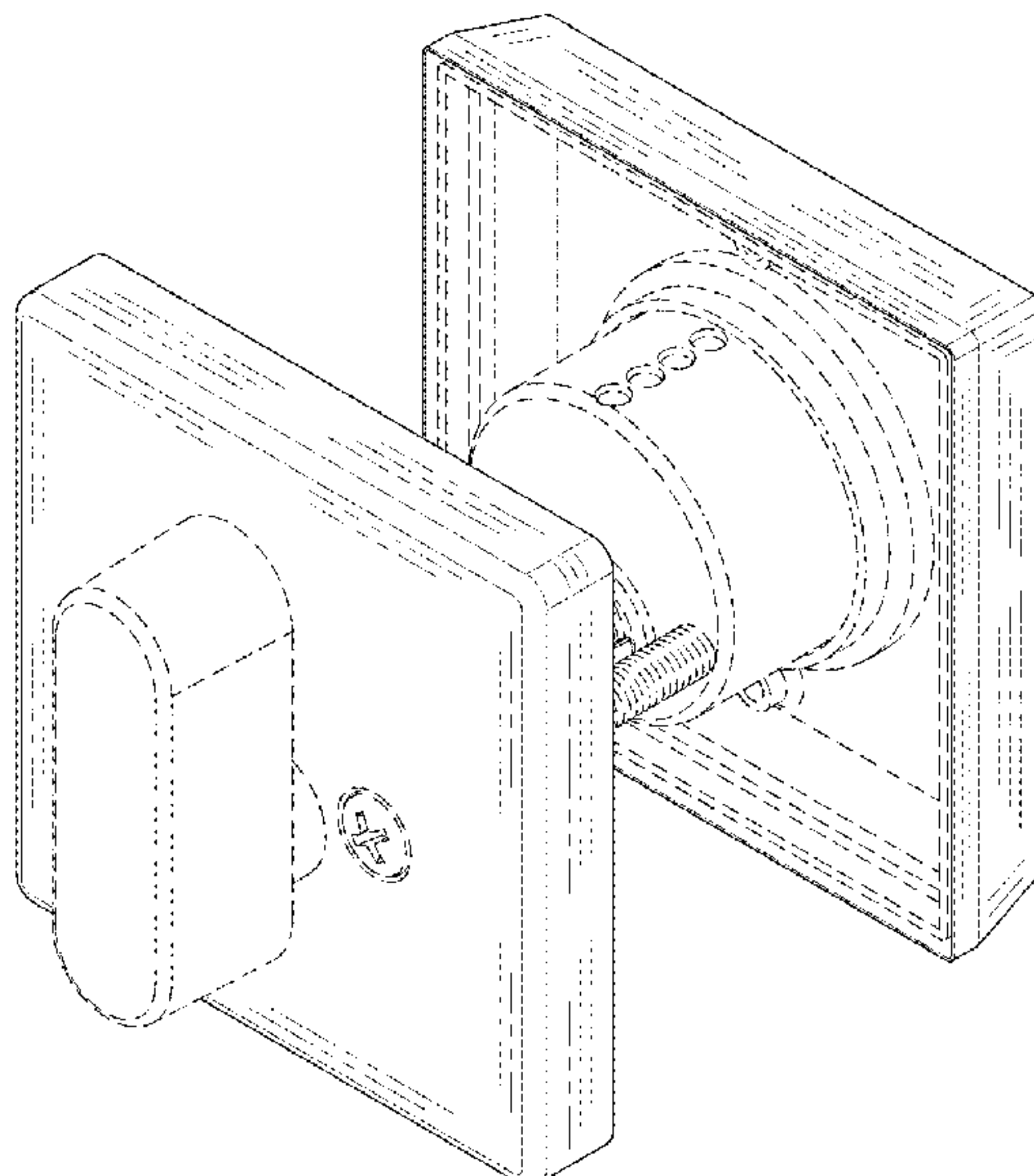
(57) **CLAIM**

The ornamental design for a lock escutcheon assembly, as shown and described.

**DESCRIPTION**

FIG. 1 is a perspective view of the lock escutcheon assembly showing our new design;  
FIG. 2 is a front elevational view thereof;  
FIG. 3 is a rear front elevational view thereof;  
FIG. 4 is a left side elevational view thereof;  
FIG. 5 is a right side elevational view thereof;  
FIG. 6 is a top plan view thereof;  
FIG. 7 is a bottom plan view thereof; and,  
FIG. 8 is another perspective view thereof.  
The broken lines represent portions of the lock escutcheon assembly that form no part of the claimed design.

**1 Claim, 8 Drawing Sheets**



(56)

**References Cited**

U.S. PATENT DOCUMENTS

D803,027 S \* 11/2017 Huang ..... D8/331

\* cited by examiner

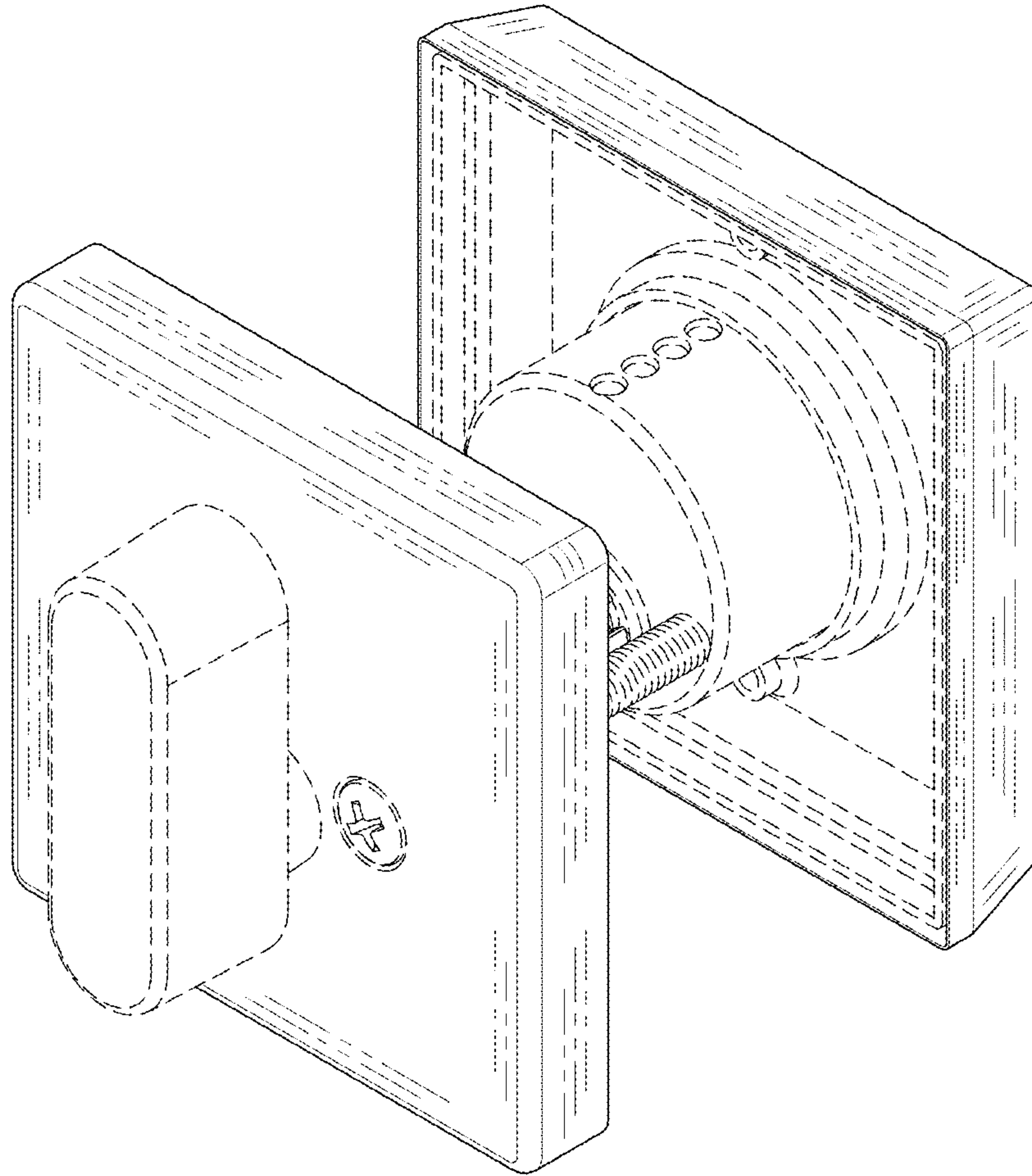


FIG.1

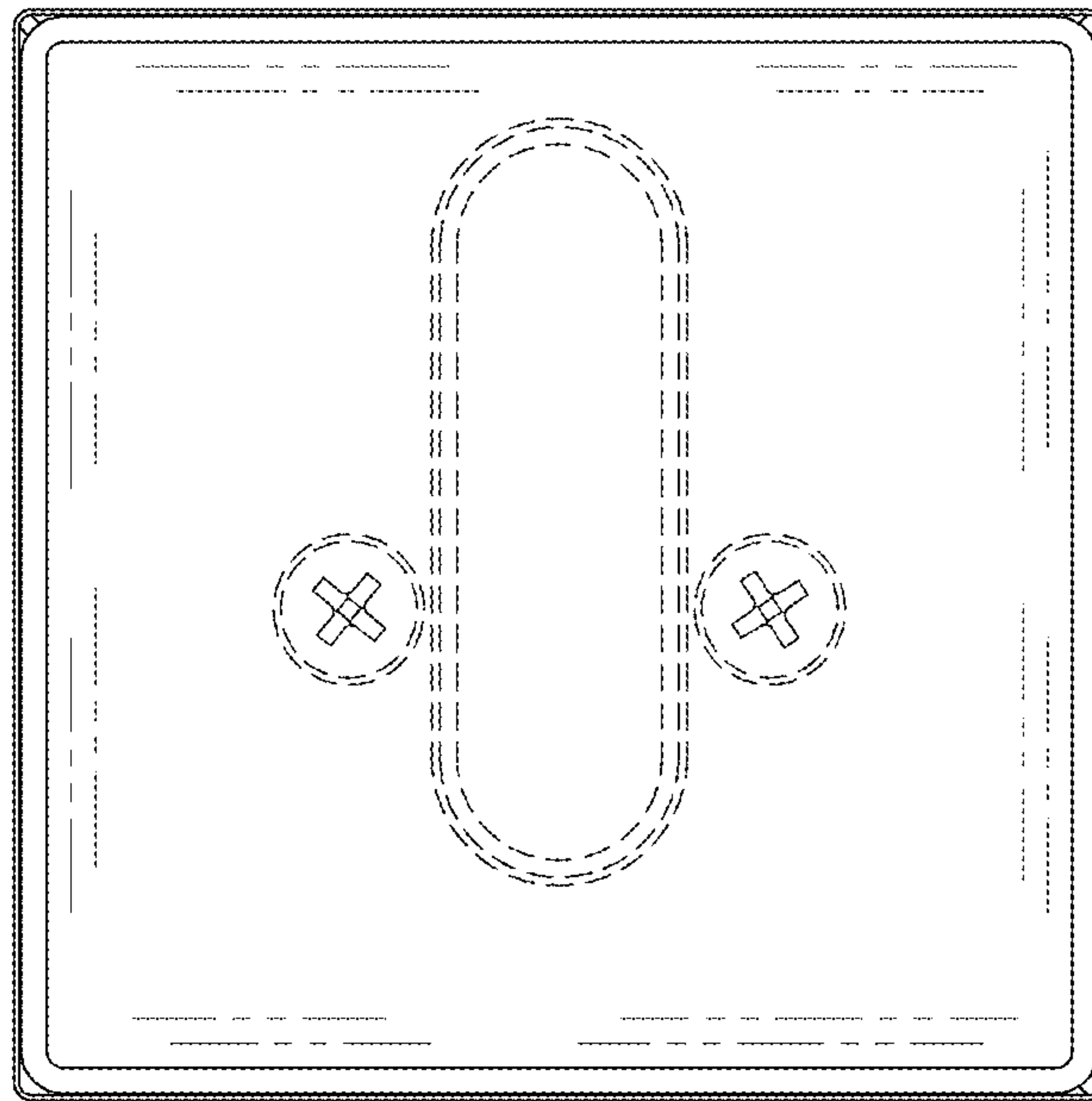


FIG.2

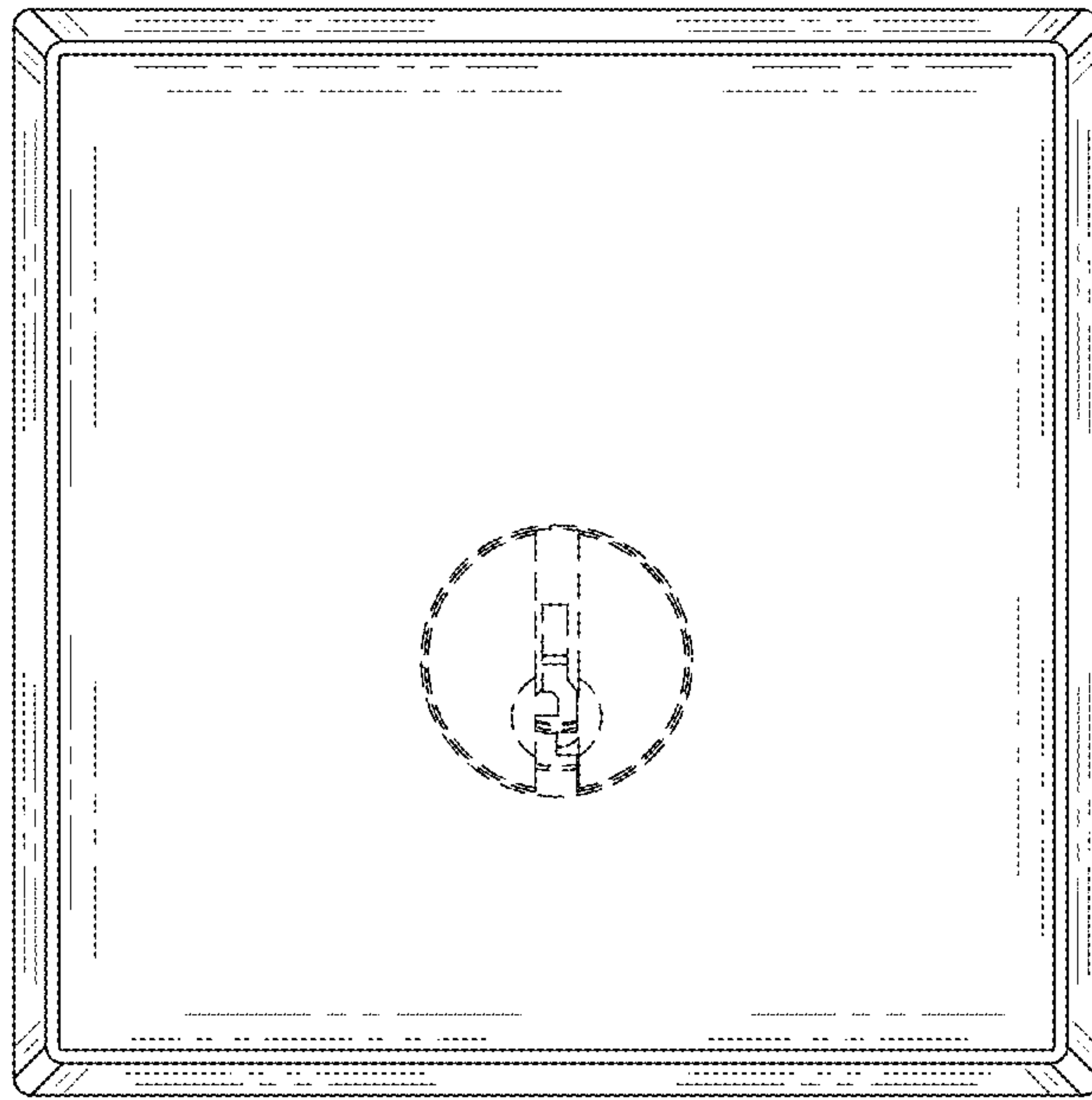


FIG.3

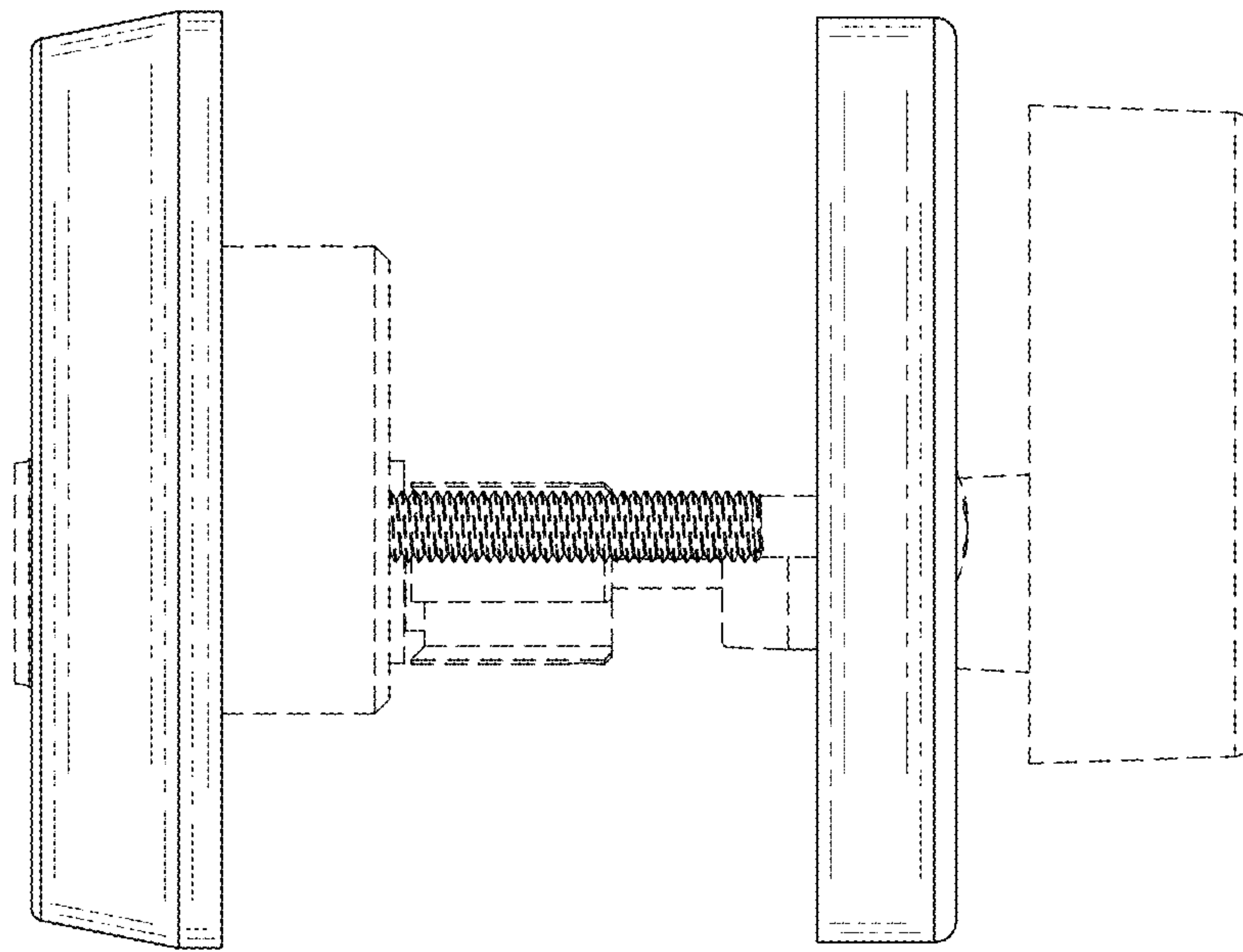


FIG.4



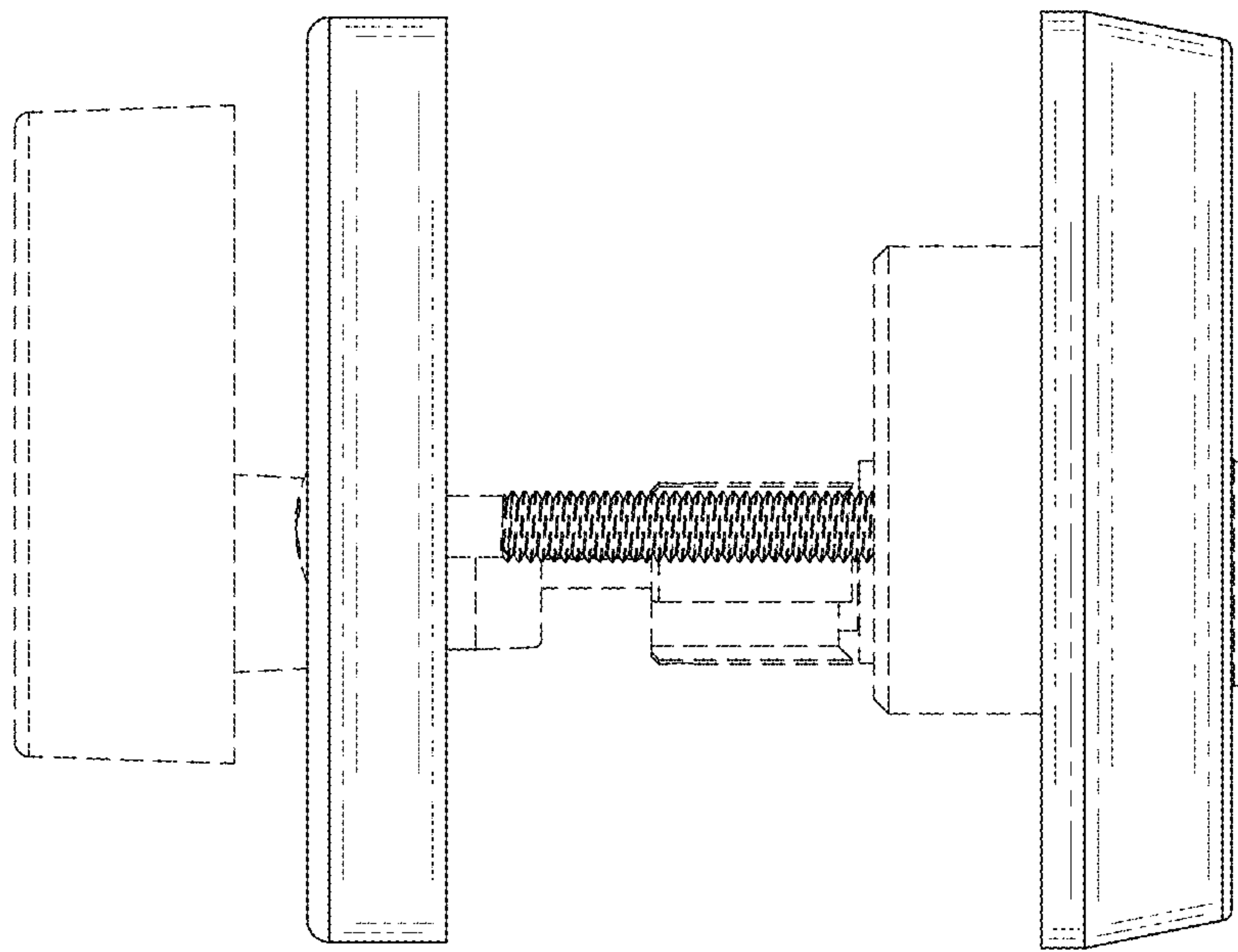


FIG.5

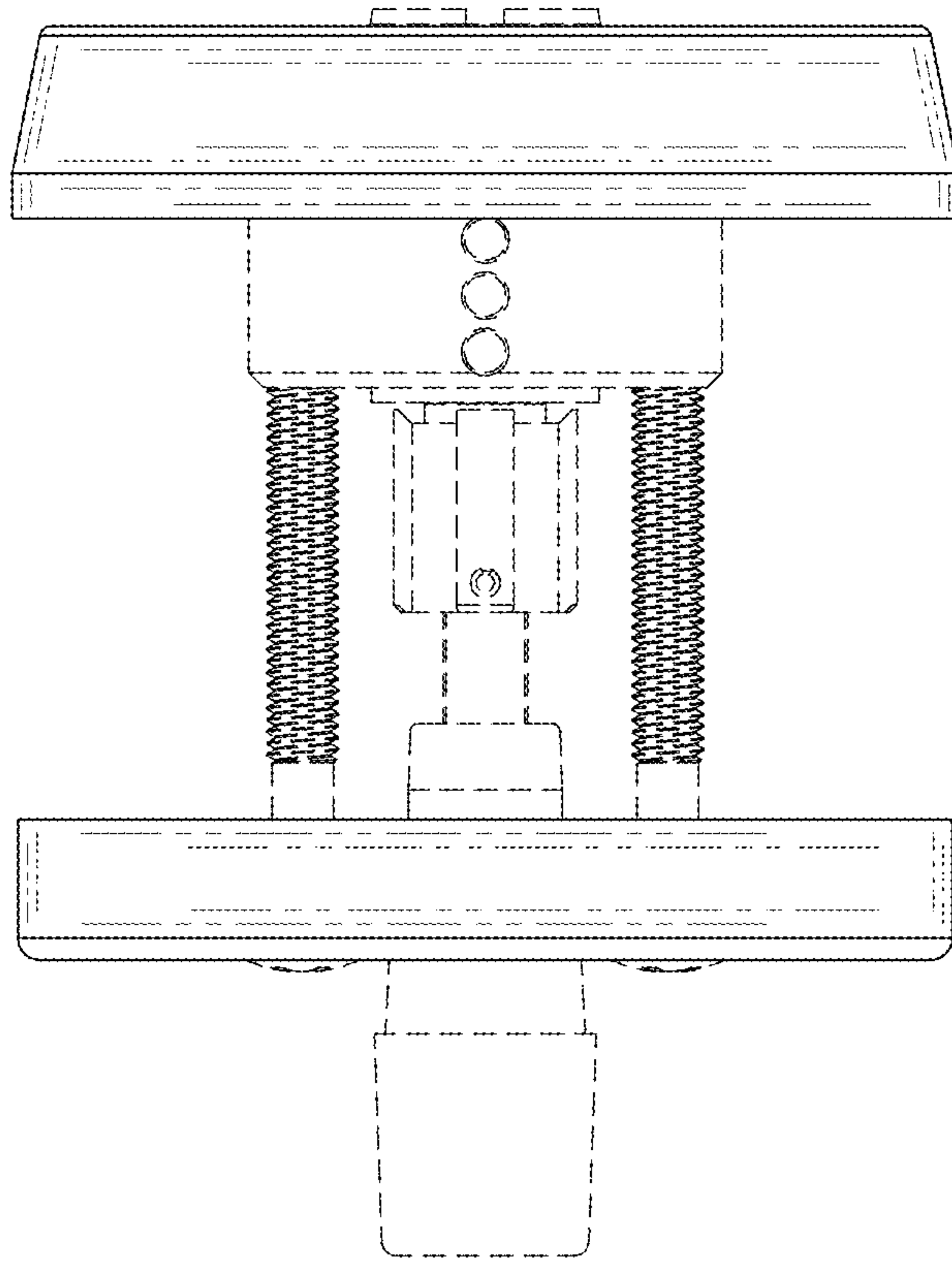


FIG.6



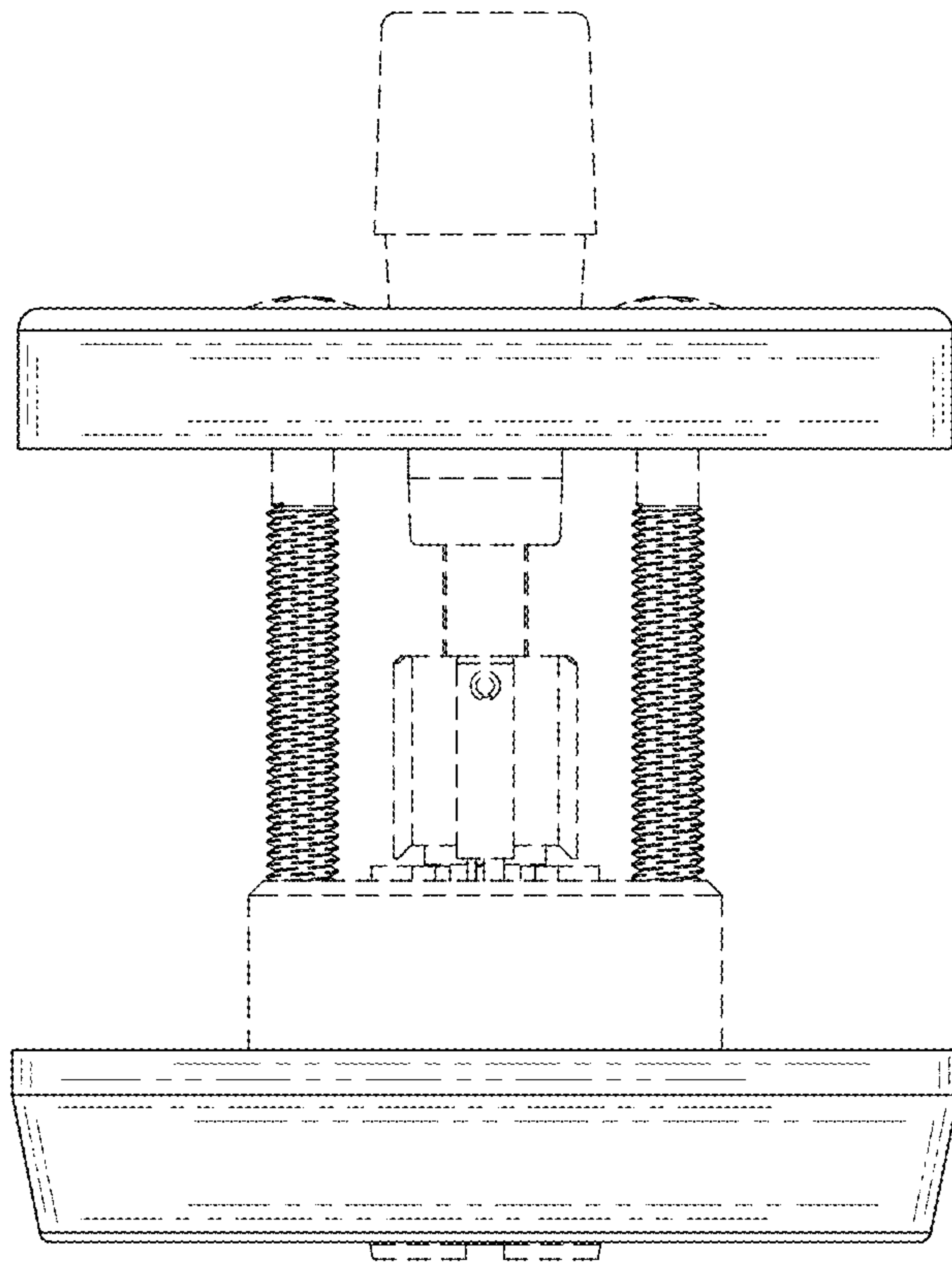


FIG.7

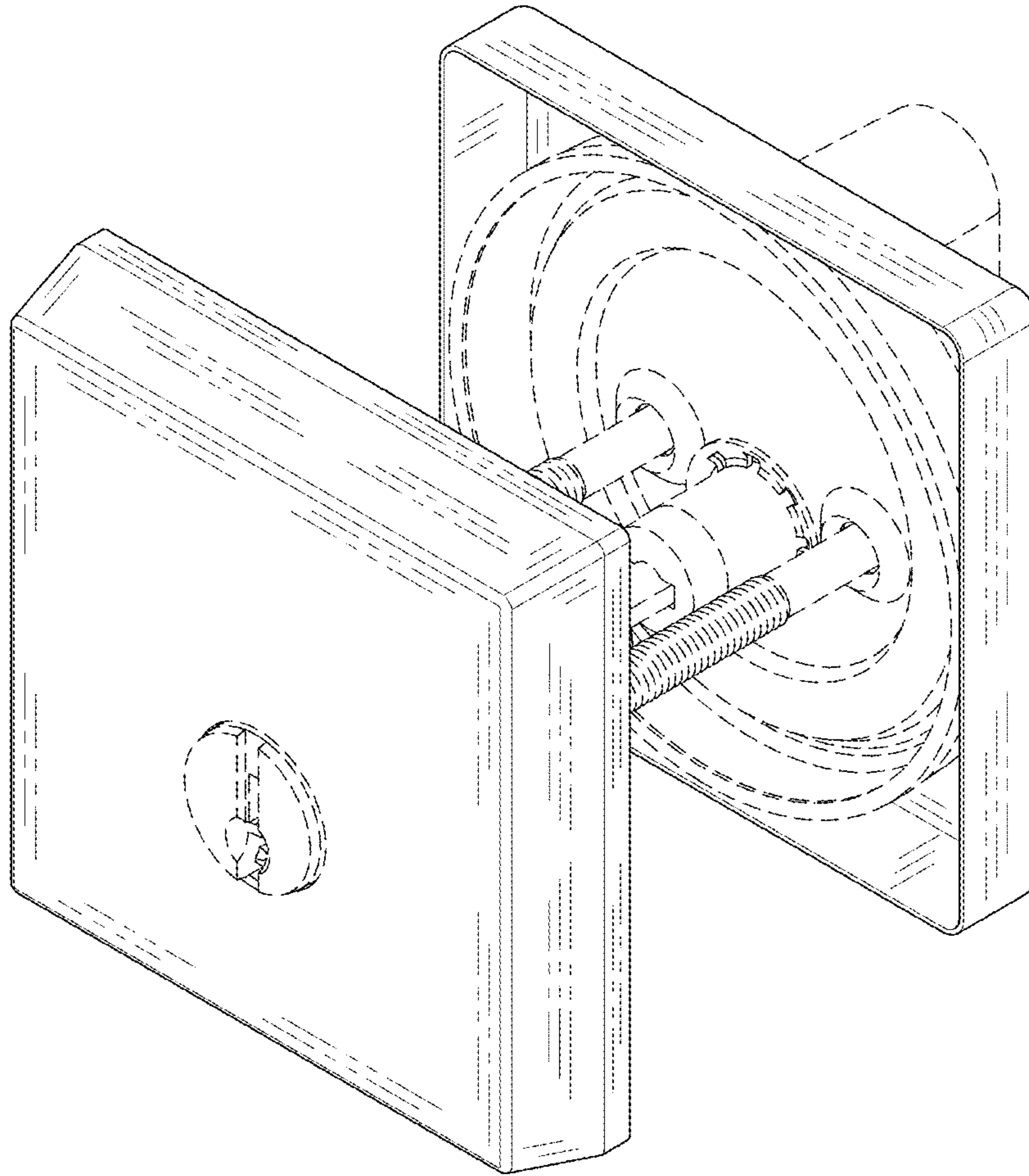


FIG.8