



US00D880273S

(12) **United States Design Patent**  
**Buum**

(10) **Patent No.:** **US D880,273 S**

(45) **Date of Patent:** **\*\* Apr. 7, 2020**

(54) **SWIVEL GATE LATCH**

(71) Applicant: **Bradley Joe Buum**, Fort Lupton, CO (US)

(72) Inventor: **Bradley Joe Buum**, Fort Lupton, CO (US)

(\*\*) Term: **15 Years**

(21) Appl. No.: **29/662,962**

(22) Filed: **Sep. 11, 2018**

(51) **LOC (12) Cl.** ..... **08-07**

(52) **U.S. Cl.**  
USPC ..... **D8/331**

(58) **Field of Classification Search**  
USPC ..... D8/330, 331, 336, 337, 339, 341, 342, D8/343, 344, 301, 302  
CPC ..... E05F 15/53; E01F 13/06; E05B 65/00; E05B 65/0007; E05B 63/126; E05B 9/00; E05B 9/02; E05B 2015/105; E05B 1/0053; E05C 3/00; E05C 3/06; E05C 3/16

See application file for complete search history.

3,339,955 A \* 9/1967 Leonard ..... E05C 1/10 292/60  
D216,293 S \* 12/1969 Blackston et al. .... D8/341  
3,774,947 A \* 11/1973 Duncan ..... A01K 1/0017 292/68  
3,907,345 A \* 9/1975 Martini ..... E05C 5/00 292/68  
4,333,673 A \* 6/1982 Kerr ..... A01K 1/0017 292/216  
5,103,658 A \* 4/1992 McQuade ..... E05B 65/0007 49/394  
5,284,370 A \* 2/1994 Dunn ..... A01K 1/0017 292/213  
5,358,292 A \* 10/1994 Van Wiebe ..... E05B 53/003 292/125  
D367,809 S \* 3/1996 Groves ..... D8/339  
D394,796 S \* 6/1998 Alford ..... D8/331

(Continued)

Primary Examiner — Steven J Czyz  
(74) Attorney, Agent, or Firm — Crowe & Dunlevy, P.C.

(57) **CLAIM**

The ornamental design for a swivel gate latch, as shown and described.

**DESCRIPTION**

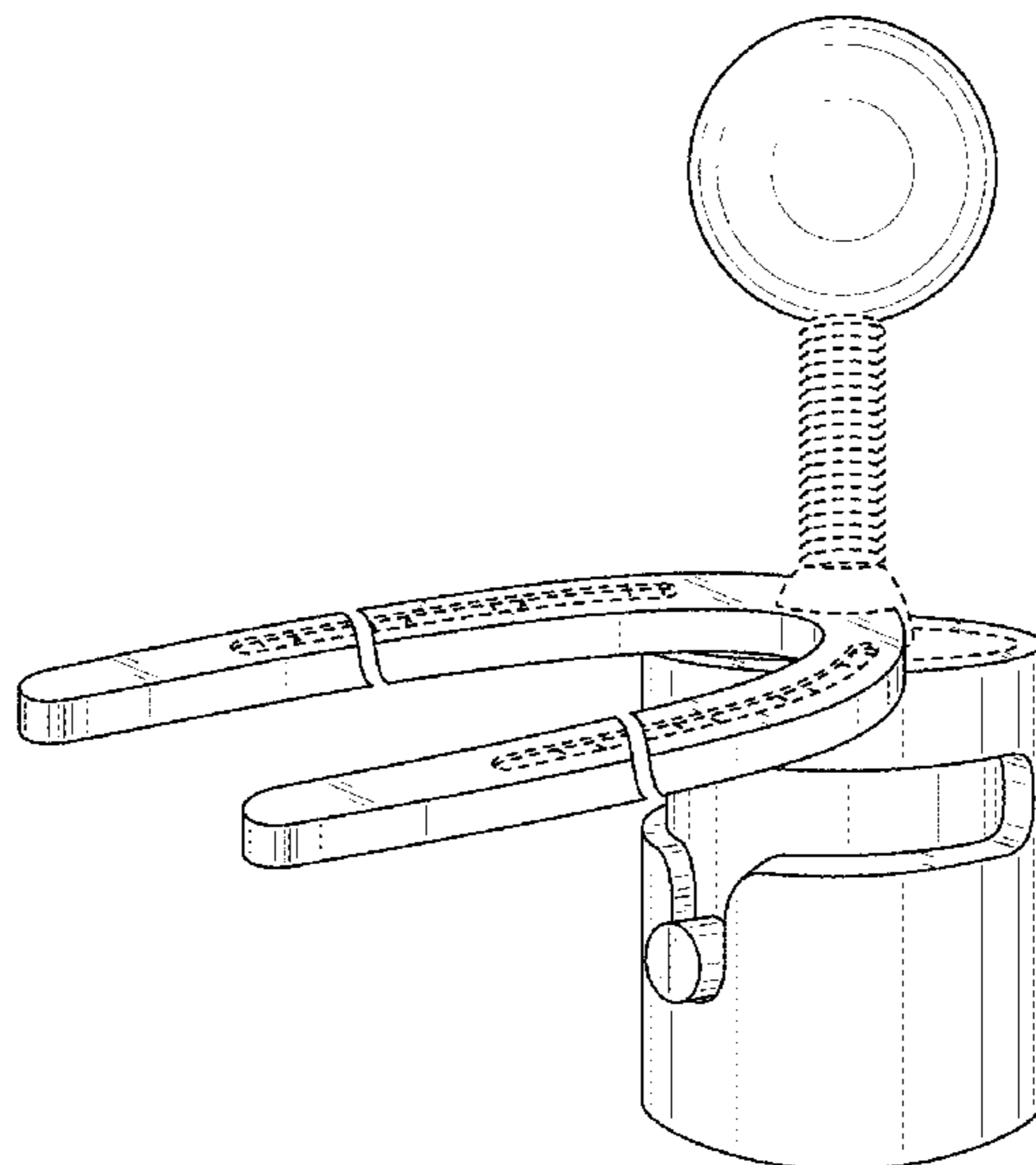
FIG. 1 is a perspective view of a swivel gate latch showing the design;  
FIG. 2 is a front elevation view of FIG. 1;  
FIG. 3 is a rear elevation view of FIG. 1;  
FIG. 4 is a first side elevation view of FIG. 1;  
FIG. 5 is a second side view of FIG. 1;  
FIG. 6 is a top elevation view of FIG. 1; and,  
FIG. 7 is a bottom elevation view of FIG. 1.  
The broken lines shown in the figures represent portions of the article that form no part of the claimed design.  
The swivel gate latch is shown with a symbolic break in its length. The appearance of any portion of the article between the break lines forms no part of the claimed design.

**1 Claim, 7 Drawing Sheets**

(56) **References Cited**

U.S. PATENT DOCUMENTS

1,136,102 A \* 4/1915 Clapcott et al. .... B61D 19/005 292/237  
1,280,665 A \* 10/1918 Clay et al. .... E05B 85/243 292/216  
1,447,705 A \* 3/1923 Anderson ..... E05B 65/0007 292/53  
2,074,759 A \* 3/1937 Richards ..... E05B 65/0007 292/68  
2,577,930 A \* 12/1951 Thomas ..... E05B 65/0007 292/68  
2,666,660 A \* 1/1954 Youngworth ..... E05B 65/0007 292/68  
3,042,435 A \* 7/1962 Wieseler ..... E05B 65/0007 292/213



(56)

**References Cited**

## U.S. PATENT DOCUMENTS

D395,223 S \* 6/1998 Everly ..... D8/336  
6,036,245 A \* 3/2000 Schaefer ..... E05B 65/0007  
292/119  
D440,142 S \* 4/2001 Mlinaric ..... D8/331  
D452,641 S \* 1/2002 Portenier ..... D8/341  
D462,600 S \* 9/2002 Gilbert ..... D8/331  
7,172,222 B1 \* 2/2007 Hotovy ..... E05C 1/04  
292/137  
D583,217 S \* 12/2008 Voight ..... D8/343  
7,637,541 B2 \* 12/2009 Nesseth ..... A01K 1/0017  
292/196  
8,376,421 B2 \* 2/2013 Simmonds ..... E05B 15/101  
292/251.5  
8,690,201 B2 \* 4/2014 Frazier ..... E05B 65/0007  
256/1  
9,416,571 B1 \* 8/2016 McConnell ..... E05B 17/2023  
10,273,719 B1 \* 4/2019 Timothy ..... E05B 65/0007  
D849,506 S \* 5/2019 Hosler ..... D8/338  
10,329,803 B1 \* 6/2019 Lieser ..... E05B 65/0007  
10,344,509 B2 \* 7/2019 Bledsoe ..... E05C 3/004  
10,472,874 B2 \* 11/2019 Gall ..... E05B 63/248  
2016/0010361 A1 \* 1/2016 Smith ..... E05B 41/00  
70/91  
2016/0326783 A1 \* 11/2016 Bledsoe ..... E05C 3/16

\* cited by examiner

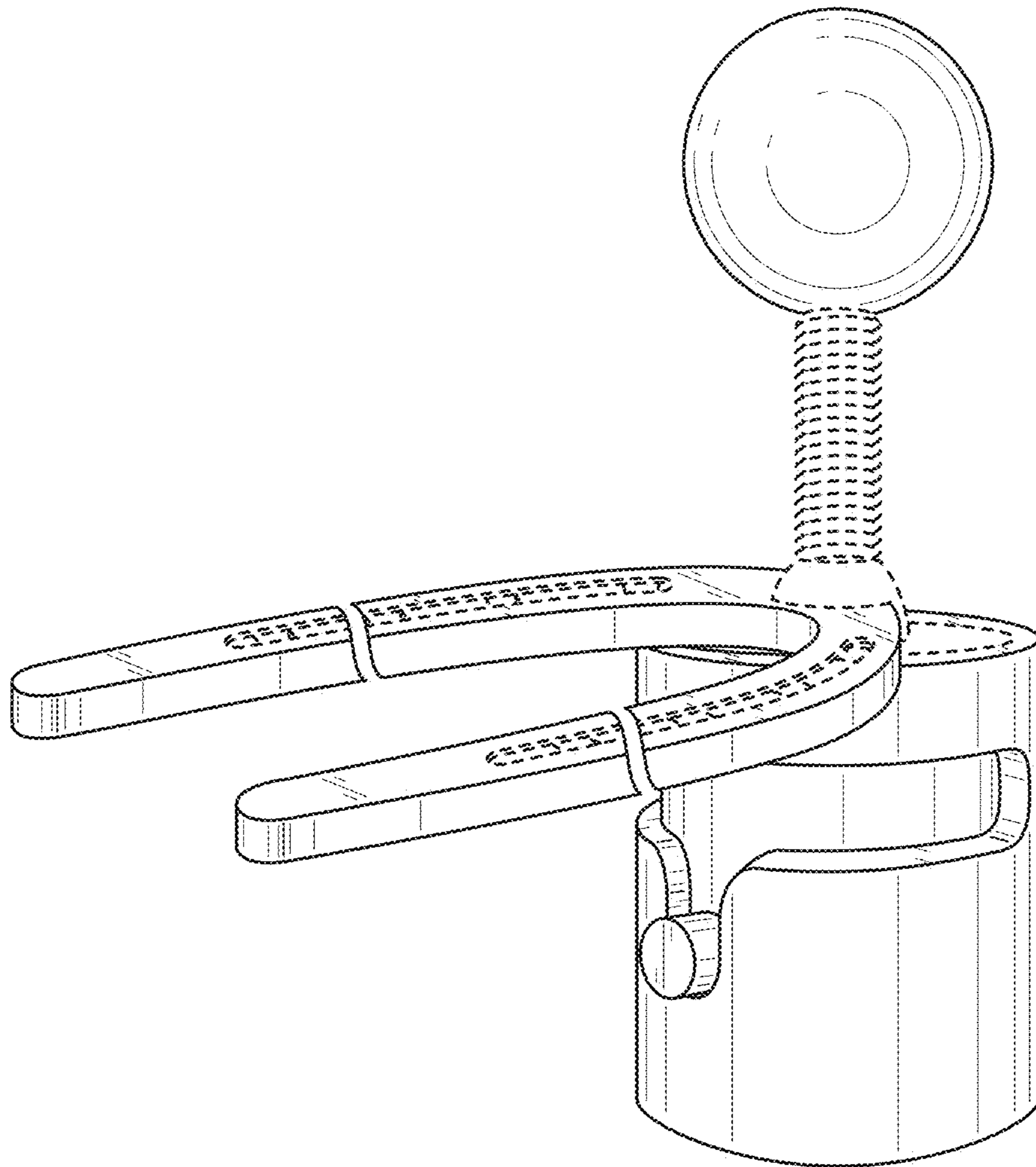


FIG. 1

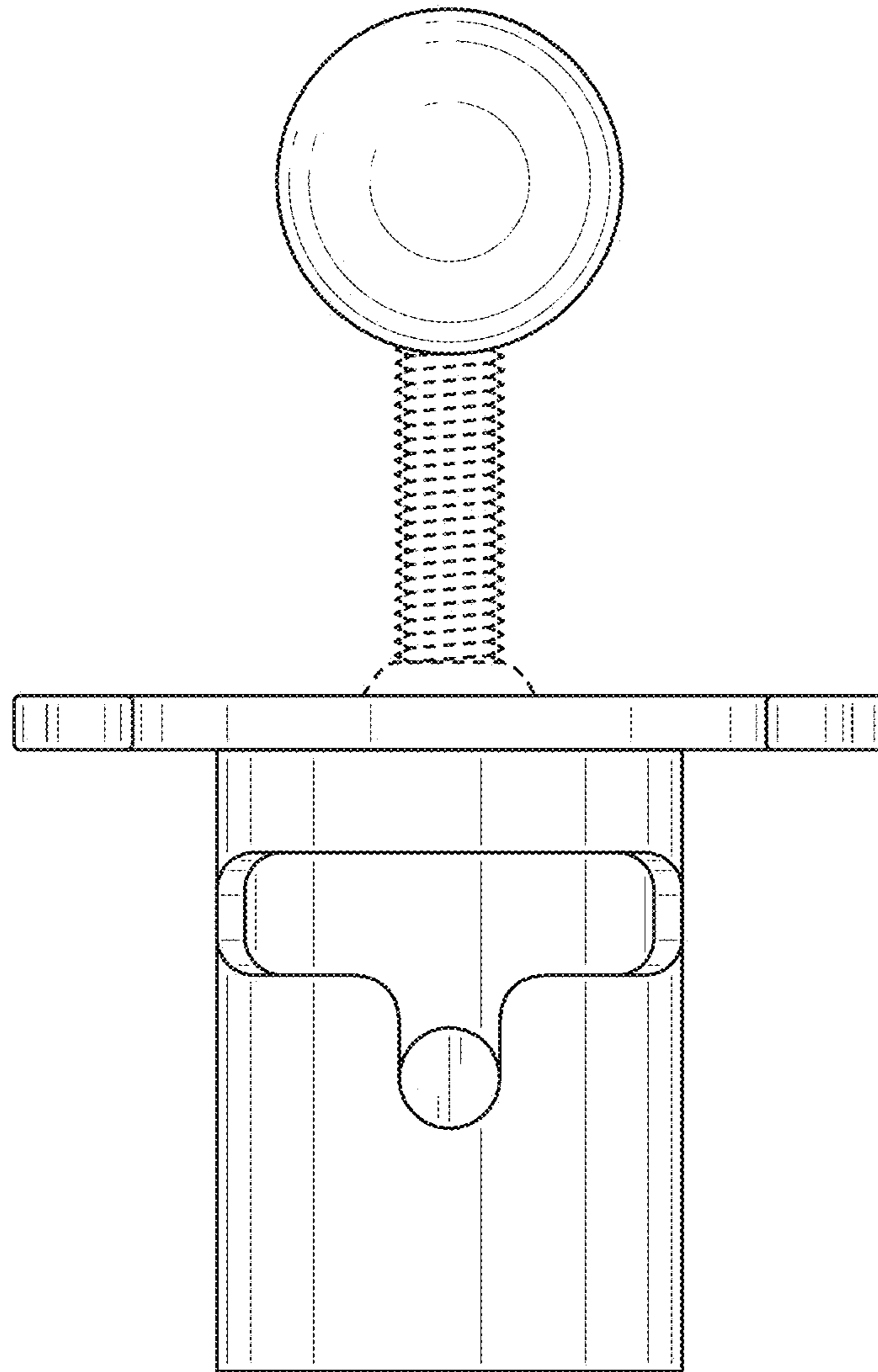


FIG. 2

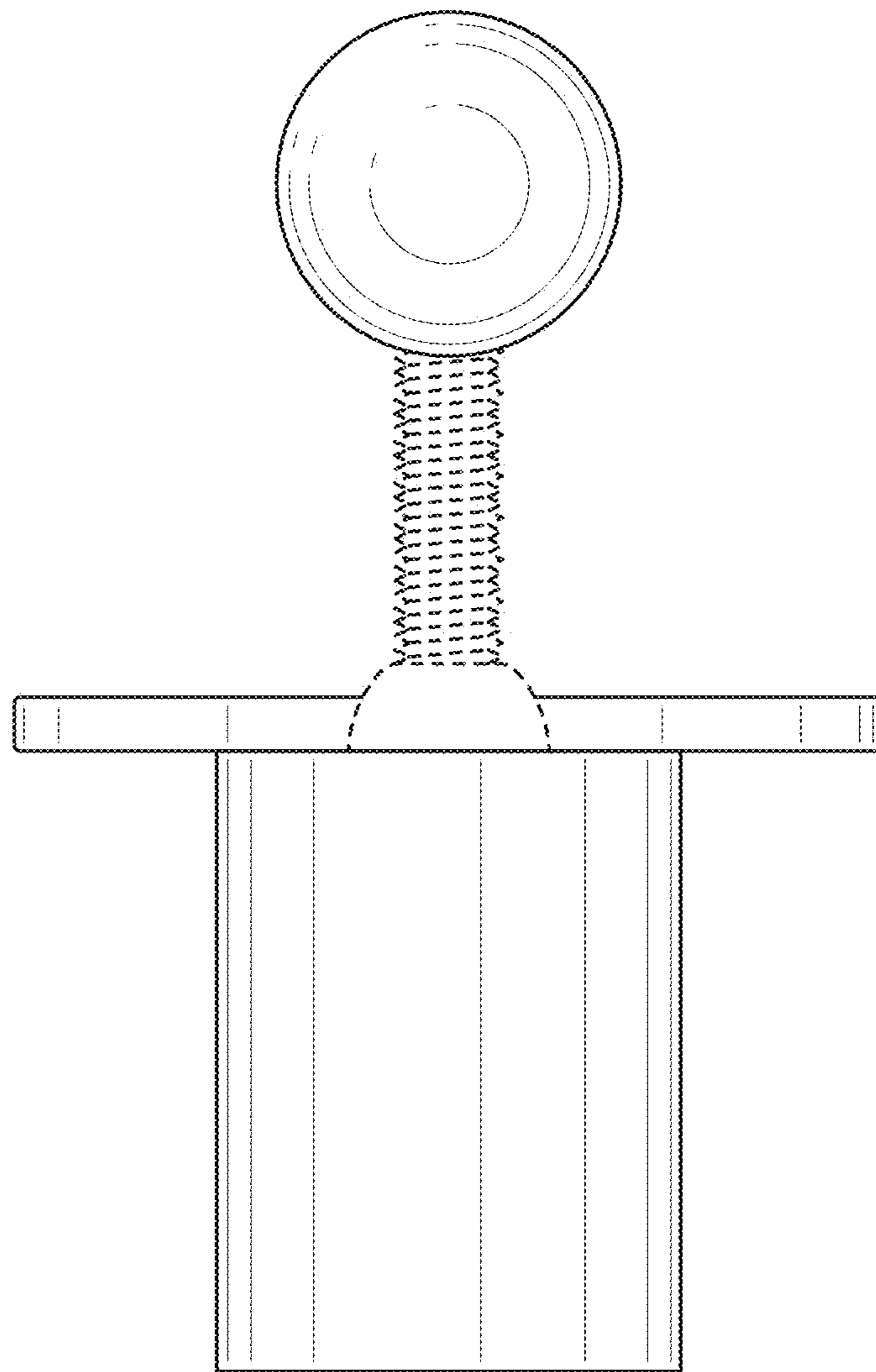


FIG. 3

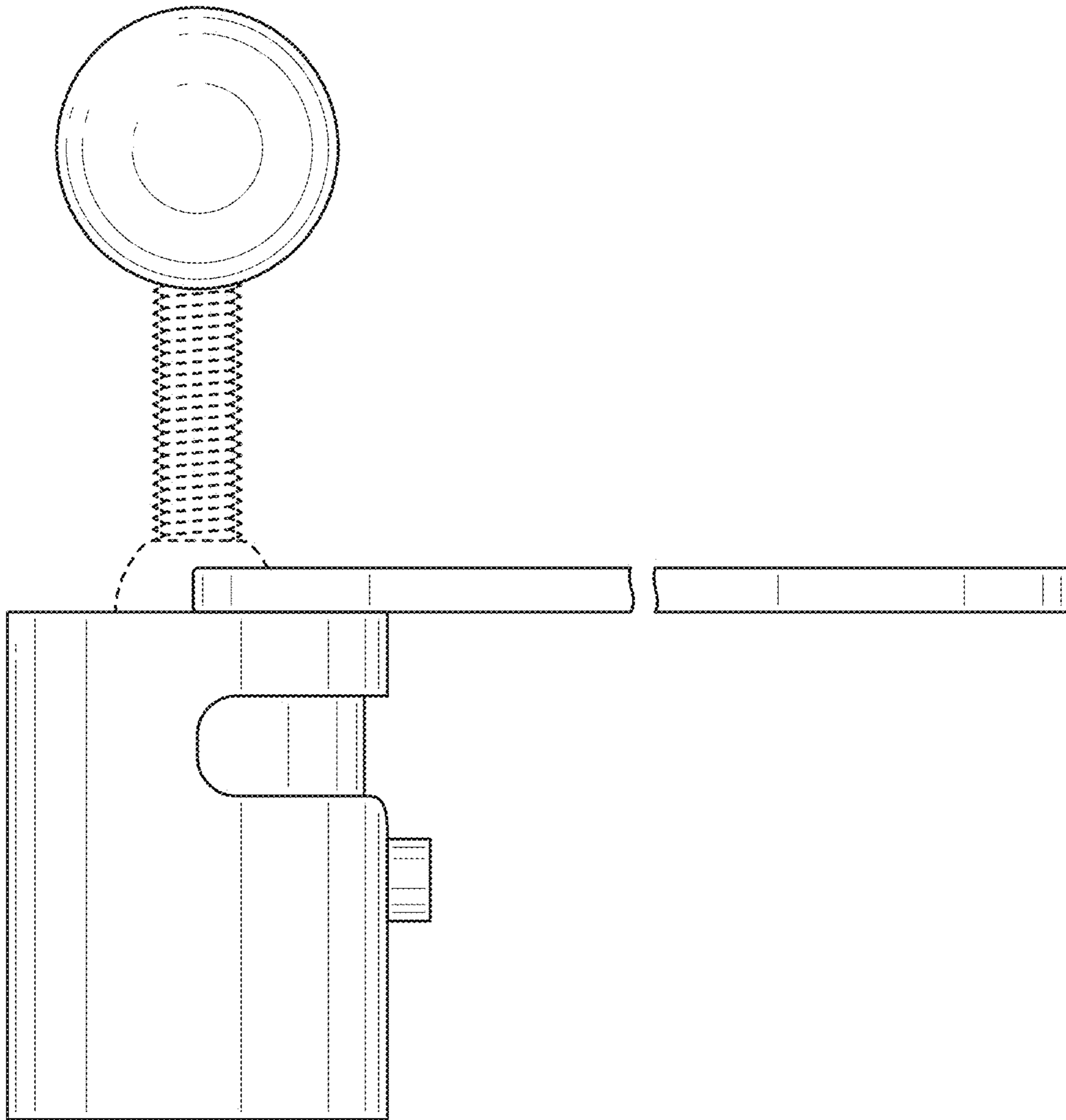


FIG. 4

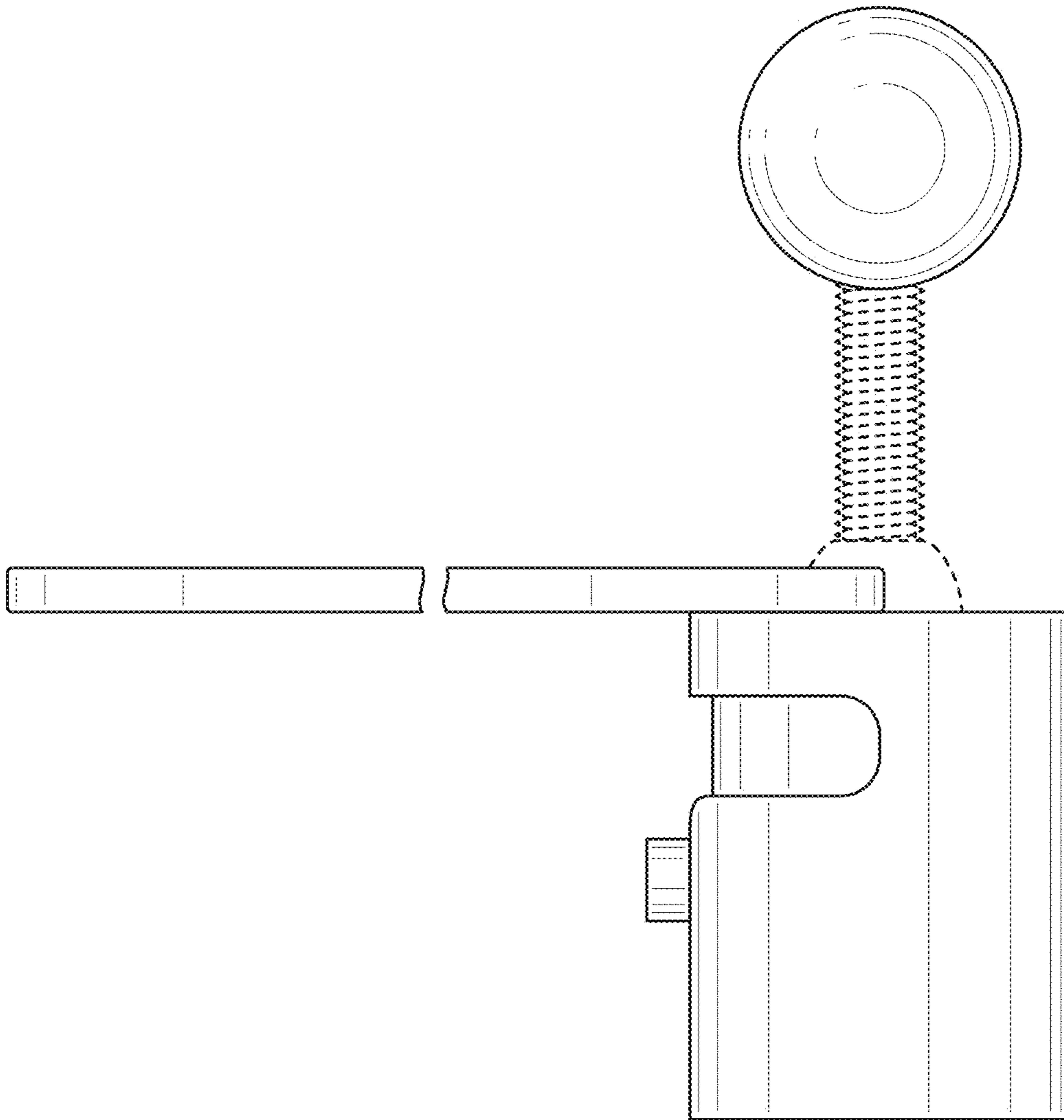


FIG. 5

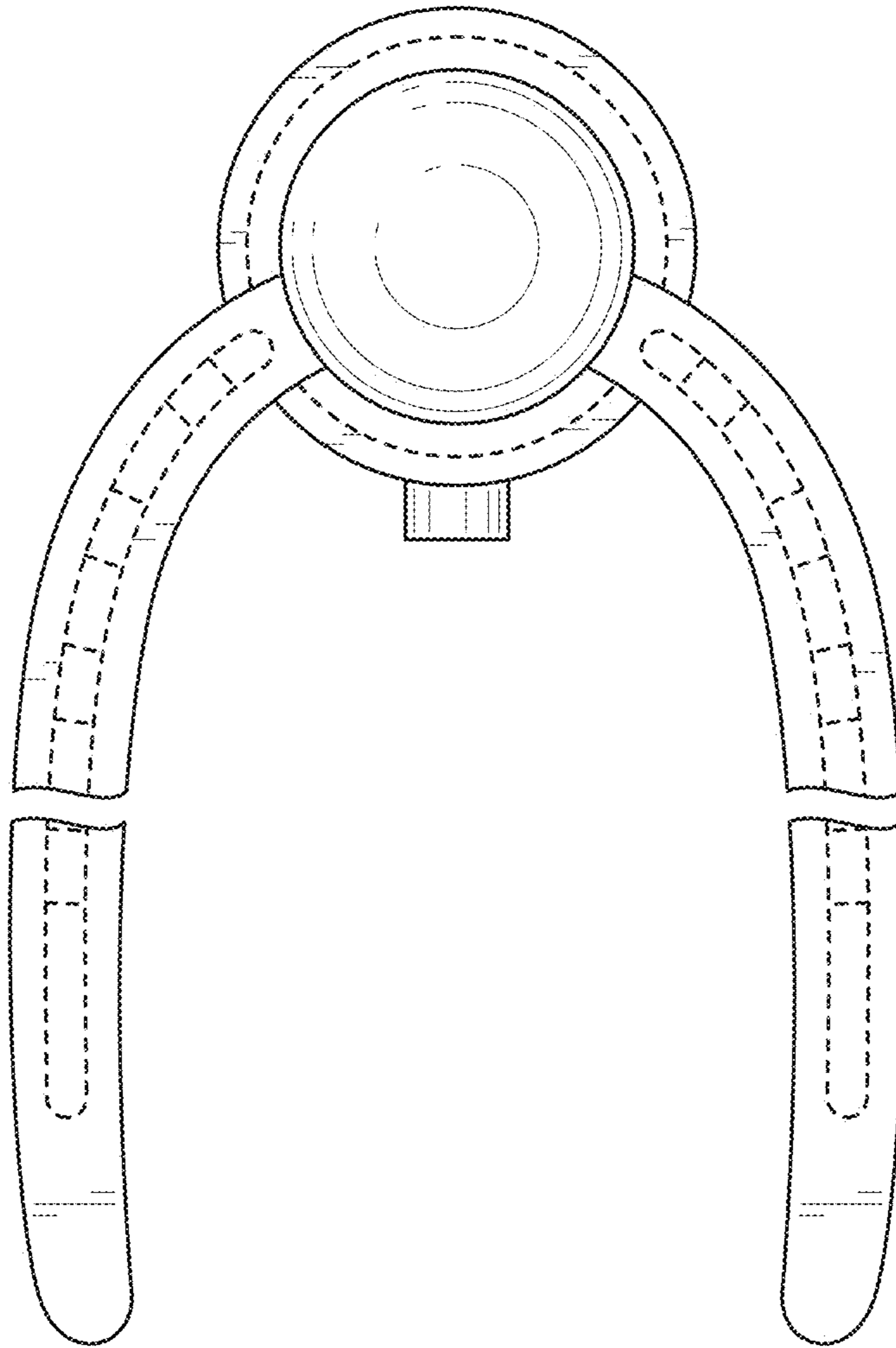


FIG. 6



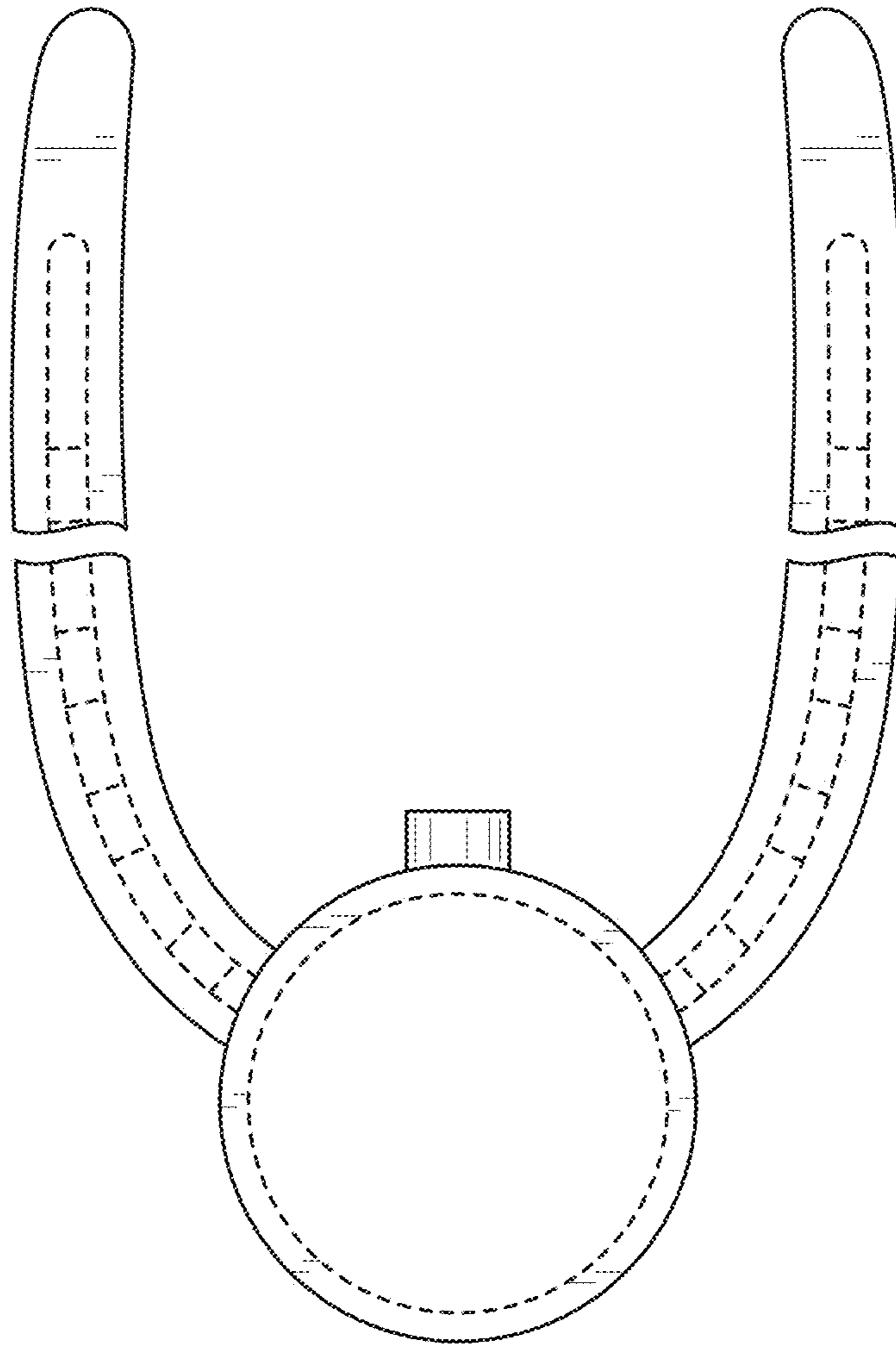


FIG. 7