



US00D880269S

(12) **United States Design Patent**  
**Hogard et al.**

(10) **Patent No.:** **US D880,269 S**

(45) **Date of Patent:** **\*\* Apr. 7, 2020**

(54) **WHETSTONE**

5,520,574 A \* 5/1996 Wilson ..... A61C 3/00  
451/321

(71) Applicants: **Dustin Wayne Hogard**, Madisonville,  
TX (US); **Nicholas Charles Blackman**,  
Houston, TX (US)

D375,441 S \* 11/1996 McCoy ..... D8/91  
D401,129 S \* 11/1998 Glesser ..... D8/91  
D442,052 S \* 5/2001 Glesser ..... D8/91

(72) Inventors: **Dustin Wayne Hogard**, Madisonville,  
TX (US); **Nicholas Charles Blackman**,  
Houston, TX (US)

\* cited by examiner

*Primary Examiner* — Philip S Hyder

(74) *Attorney, Agent, or Firm* — Buche & Associates,  
P.C.; John K. Buche; Scott D. Compton

(\*\*) Term: **15 Years**

(21) Appl. No.: **29/664,168**

(57) **CLAIM**

(22) Filed: **Sep. 21, 2018**

The ornamental design for a whetstone, as shown and described.

(51) **LOC (12) Cl.** ..... **08-05**

(52) **U.S. Cl.**  
USPC ..... **D8/91**

(58) **Field of Classification Search**  
USPC ..... D8/90, 91, 92, 93  
CPC ..... B24D 15/00; B24D 15/02; B24D 15/06;  
B24D 15/063; B24D 15/061; B24D  
15/065; B24D 15/066; B24D 15/08  
See application file for complete search history.

**DESCRIPTION**

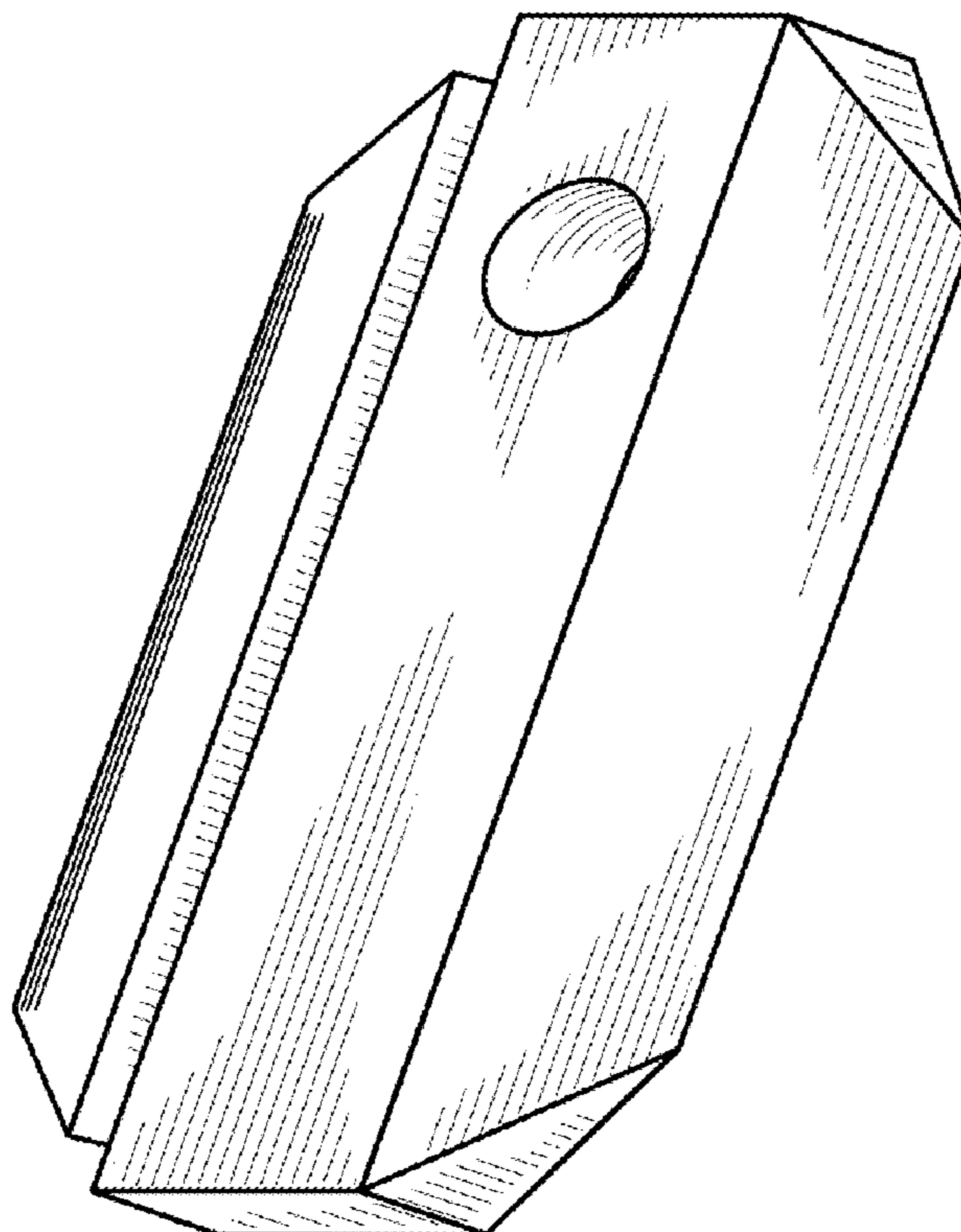
FIG. 1 is a perspective view of a whetstone showing our design;  
FIG. 2 is a front view thereof;  
FIG. 3 is a back view thereof;  
FIG. 4 is a left side view thereof;  
FIG. 5 is a right side view thereof;  
FIG. 6 is a bottom view thereof;  
FIG. 7 is a top view thereof; and,  
FIG. 8 is a front view of the whetstone attached to a necklace.  
The broken line showing of FIG. 8 is for environmental purposes only and forms no part of the claimed design.

(56) **References Cited**

**U.S. PATENT DOCUMENTS**

D217,084 S \* 4/1970 Martin ..... D8/91  
D285,042 S \* 8/1986 Sparks ..... D8/91  
4,696,129 A \* 9/1987 Roberts ..... B24D 15/06  
451/45  
D296,518 S \* 7/1988 Sadler ..... D8/91  
D337,253 S \* 7/1993 Glesser ..... D8/91

**1 Claim, 4 Drawing Sheets**



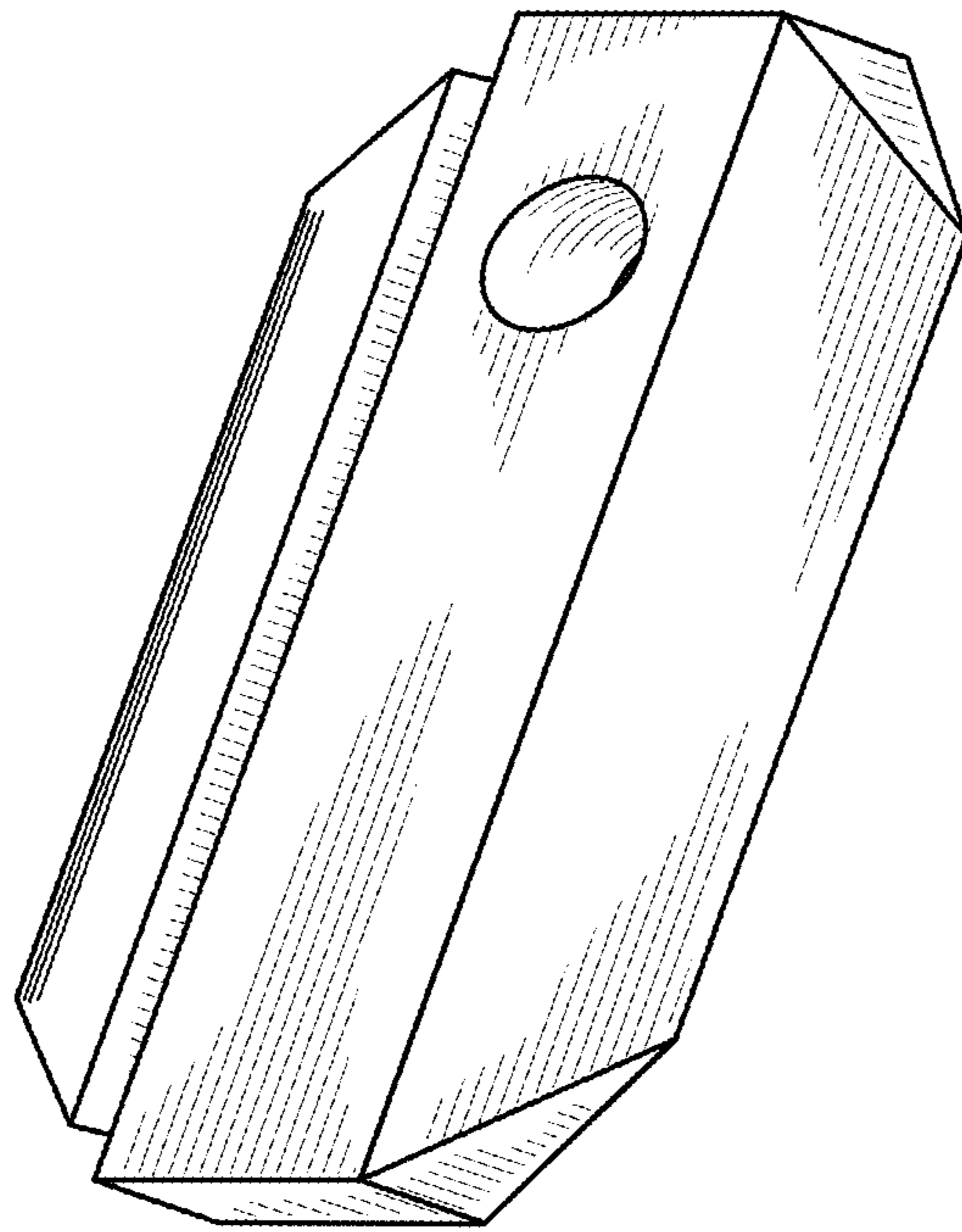


FIG. 1

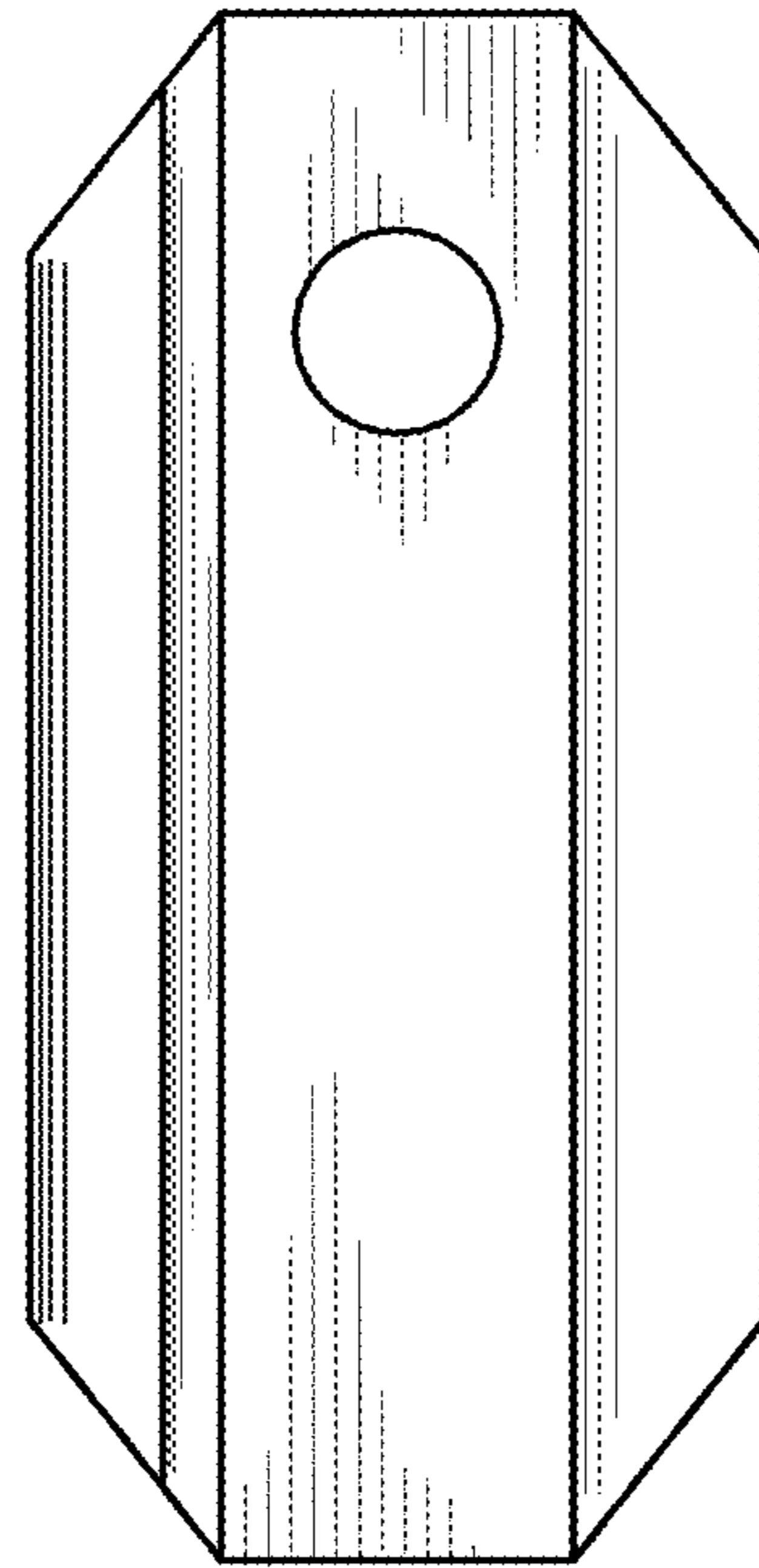


FIG. 2

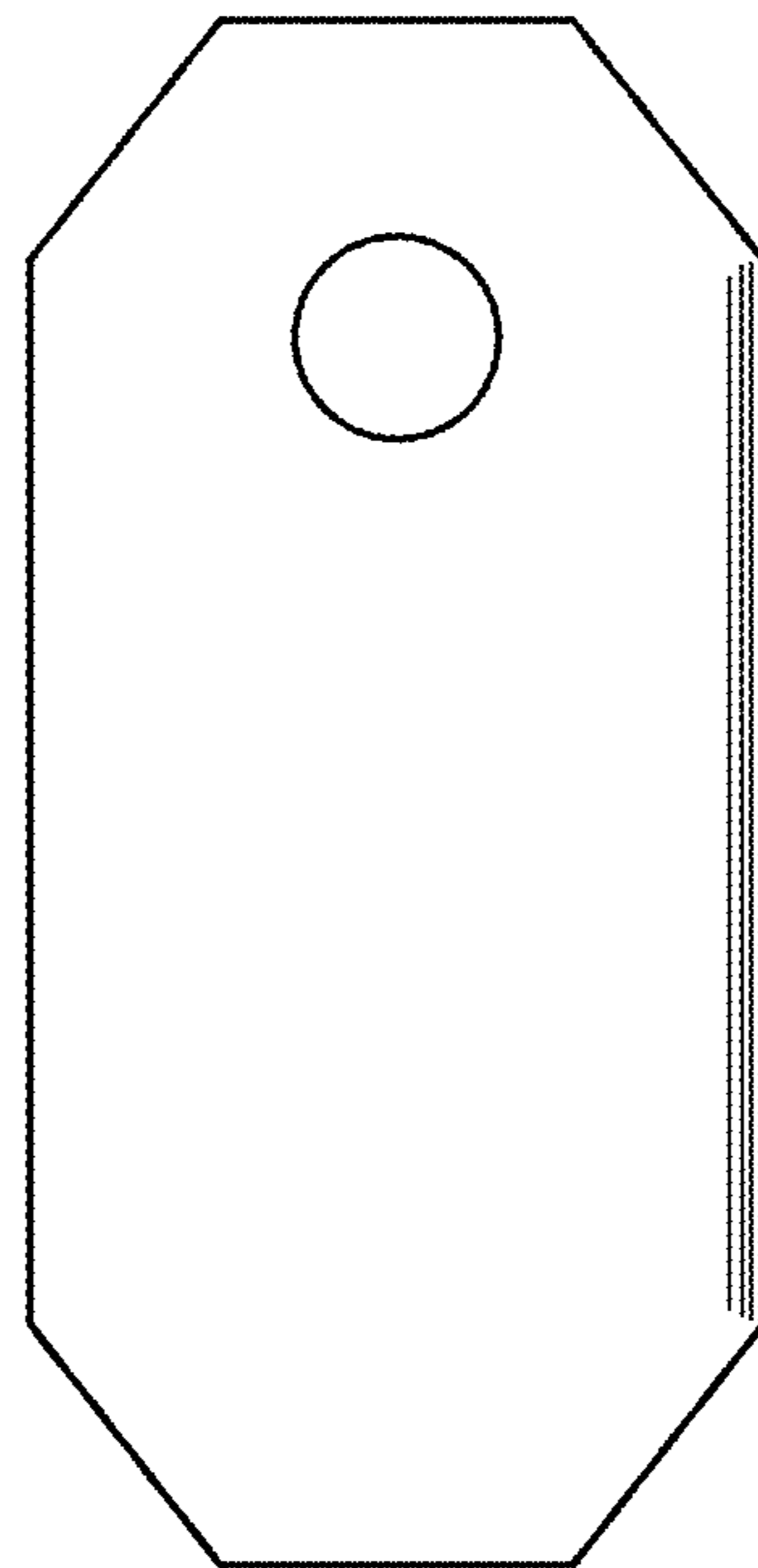


FIG. 3



FIG. 4

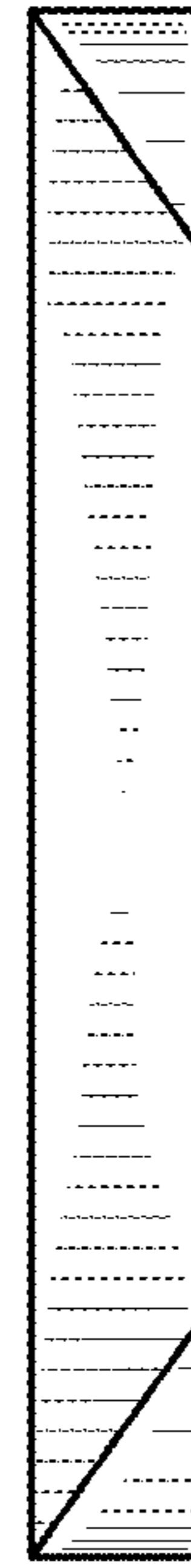


FIG. 5

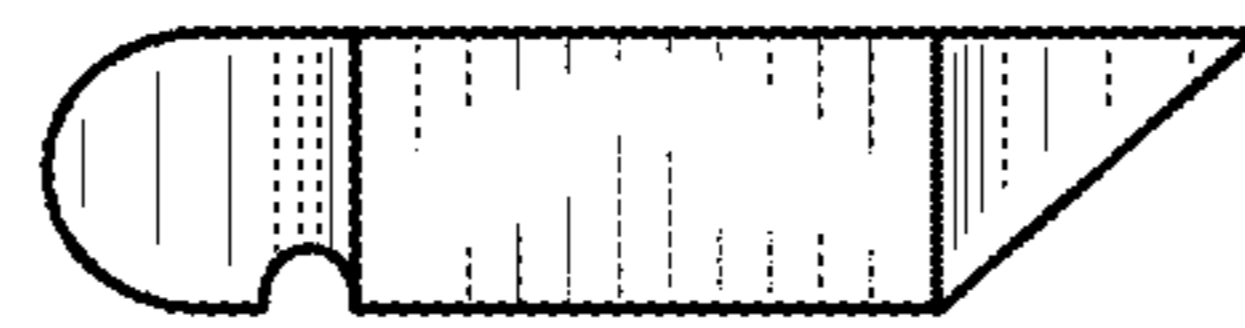


FIG. 6

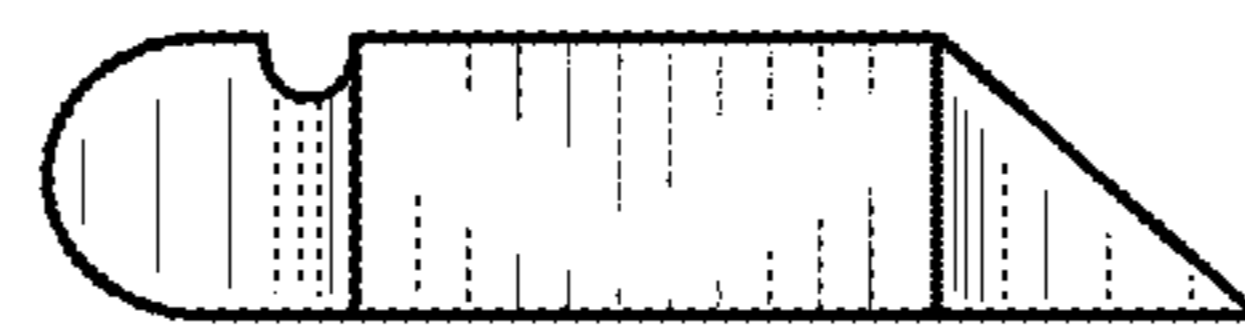


FIG. 7

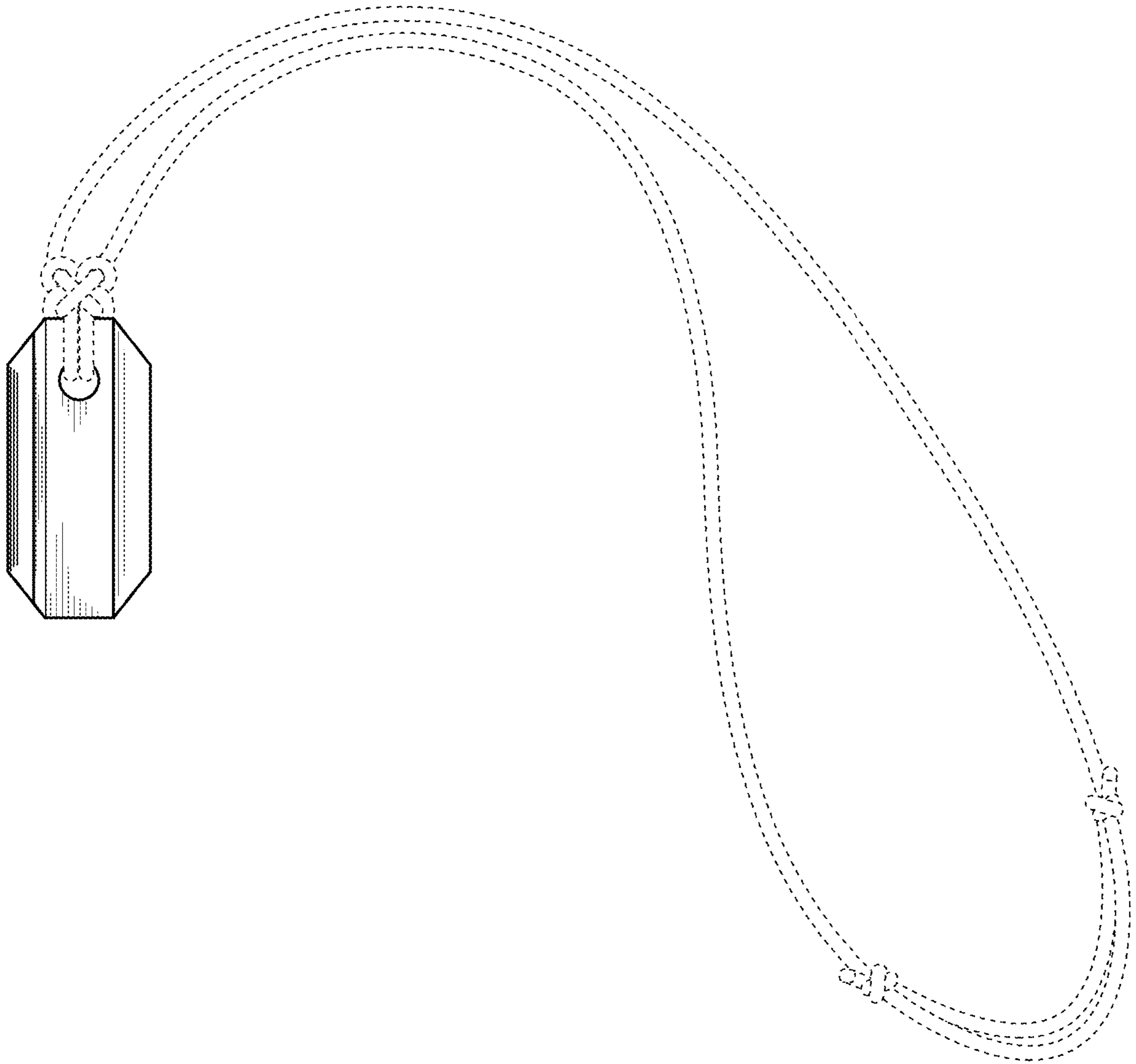


FIG. 8