



US00D880268S

(12) **United States Design Patent**
Cheng et al.

(10) **Patent No.:** **US D880,268 S**

(45) **Date of Patent:** **** Apr. 7, 2020**

(54) **FRONT AND REAR SIGHT ADJUSTMENT TOOL**

(71) Applicants: **Carson Cheng**, City of Industry, CA (US); **Changan Tian**, City of Industry, CA (US); **Richard Thomas**, City of Industry, CA (US)

(72) Inventors: **Carson Cheng**, City of Industry, CA (US); **Changan Tian**, City of Industry, CA (US); **Richard Thomas**, City of Industry, CA (US)

(73) Assignee: **NcSTAR Inc.**, City of Industry, CA (US)

(**) Term: **15 Years**

(21) Appl. No.: **29/674,364**

(22) Filed: **Dec. 20, 2018**

(51) **LOC (12) Cl.** **08-05**

(52) **U.S. Cl.**
USPC **D8/72**

(58) **Field of Classification Search**
USPC D8/71-74, 394-399, 59; 248/63, 72, 248/74.1, 689, 124.2; 81/487, 385, 386, 81/388-390; 269/3, 4, 6, 143, 165, 240, 269/243, 246-249, 254 R, 147-149; 29/256, 257, 276; 408/103, 104-109; D22/108; 42/137
CPC B25B 1/00; B25B 5/00; F41G 1/16
See application file for complete search history.

(56) **References Cited**

U.S. PATENT DOCUMENTS

D367,143 S * 2/1996 Sauber D15/140
D640,522 S * 6/2011 Livingston, Jr. D8/74

D644,497 S * 9/2011 Livingston, Jr. D8/72
D646,137 S * 10/2011 Krohmer D8/73
D646,543 S * 10/2011 Galle D8/74
D671,812 S * 12/2012 Jones D8/74
D673,830 S * 1/2013 Jones D8/74
8,745,832 B2 * 6/2014 Barrios B25B 27/02
269/143
8,819,924 B1 * 9/2014 Grine H01R 43/26
29/268
9,022,374 B1 * 5/2015 Baryam B25B 5/105
269/143
D785,431 S * 5/2017 Lee D8/74
10,011,003 B1 * 7/2018 Liu B25B 1/2484
D837,017 S * 1/2019 Miller D8/74

* cited by examiner

Primary Examiner — David G Muller

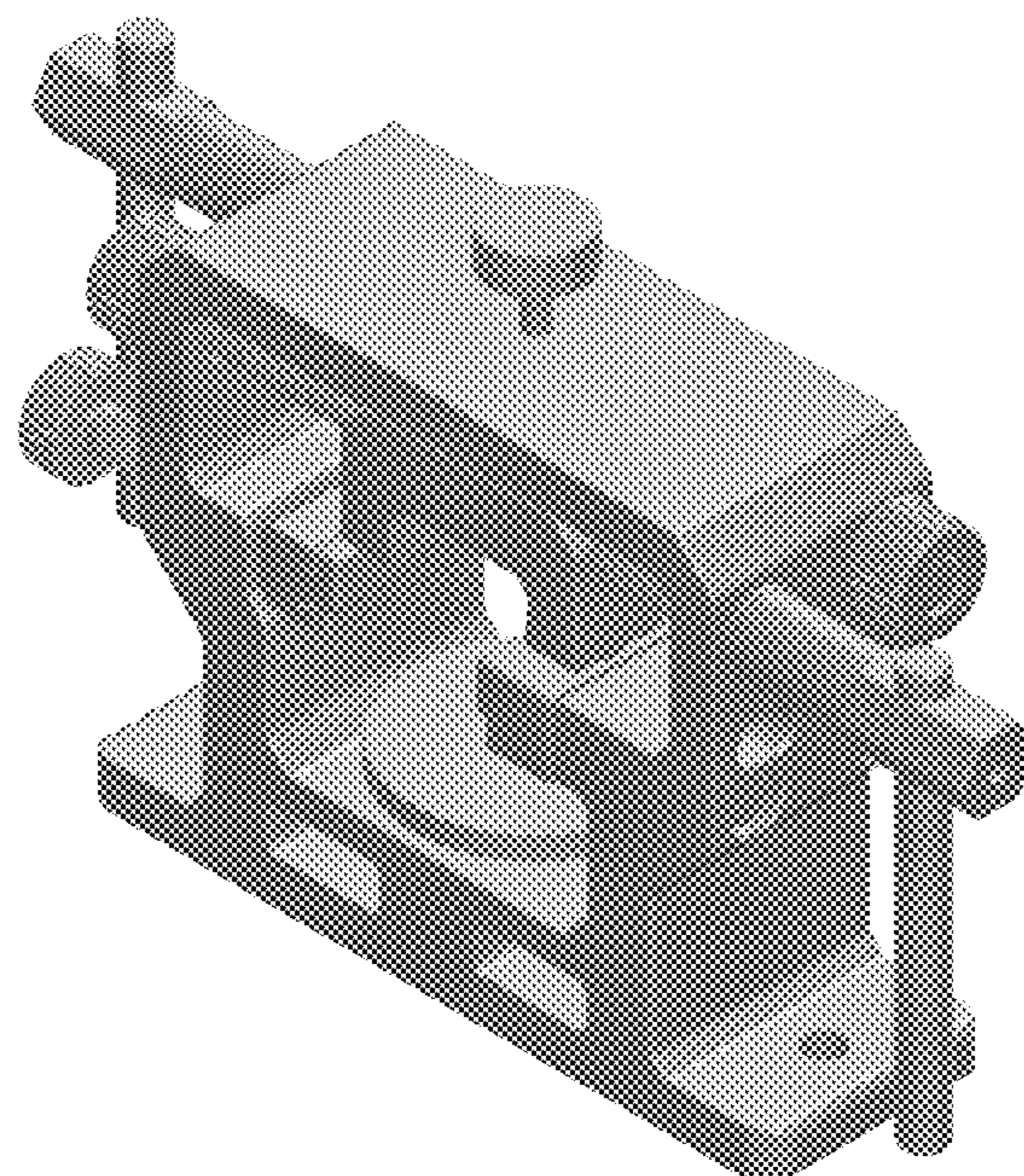
(57) **CLAIM**

The ornamental design for a front and rear sight adjustment tool, as shown and described.

DESCRIPTION

FIG. 1 is a front view of the front and rear sight adjustment tool of our new design;
FIG. 2 is a rear view thereof;
FIG. 3 is a left view thereof;
FIG. 4 is a right view thereof;
FIG. 5 is a top view thereof;
FIG. 6 is a bottom view thereof;
FIG. 7 is a top front perspective view thereof;
FIG. 8 is a bottom front perspective view thereof;
FIG. 9 is a top rear perspective view thereof;
FIG. 10 is a bottom rear perspective view thereof; and,
FIG. 11 is another bottom rear perspective view of the front and rear sight adjustment tool with opening bottom cap thereof.

1 Claim, 9 Drawing Sheets



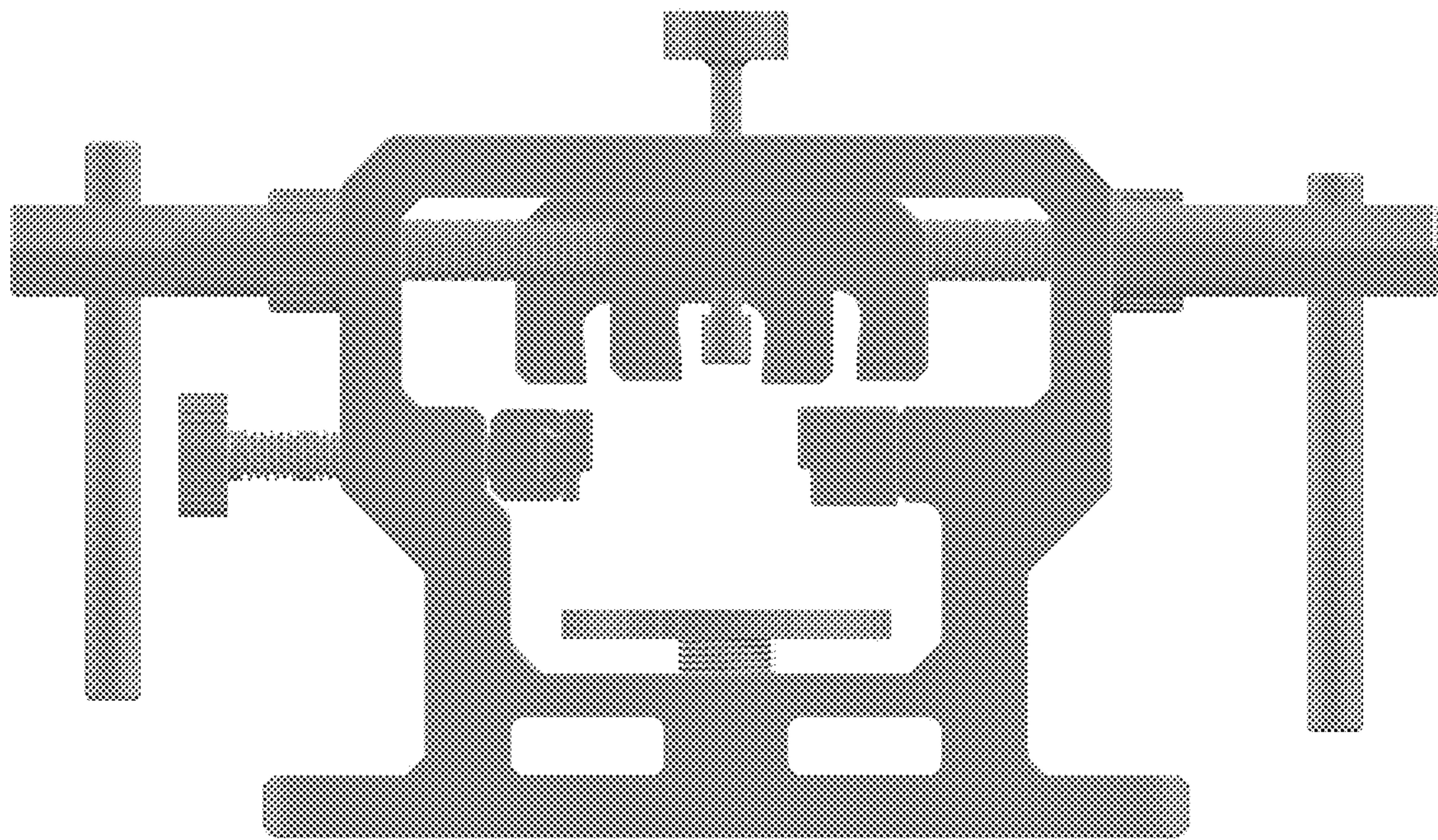


FIG. 1

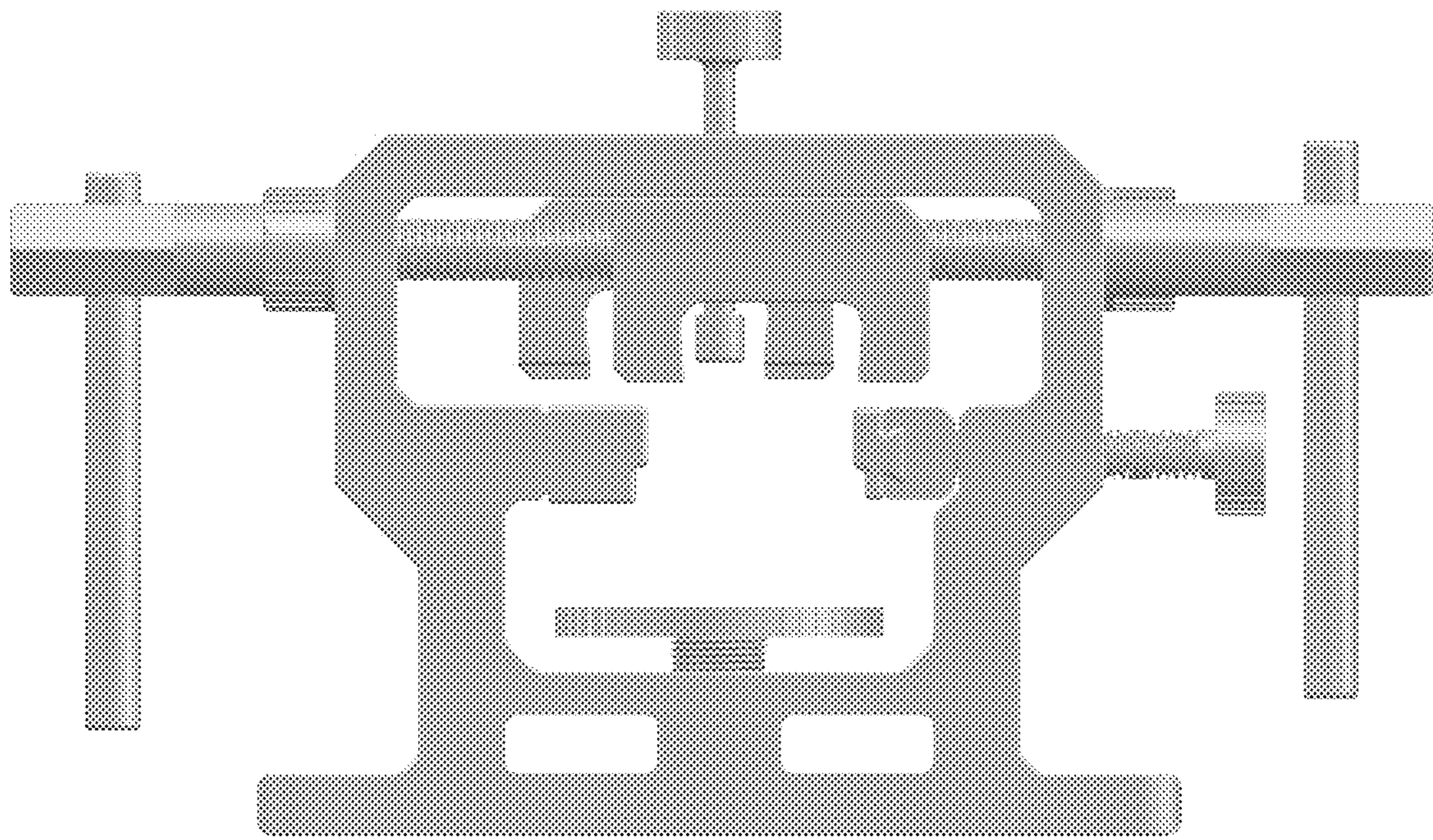


FIG. 2

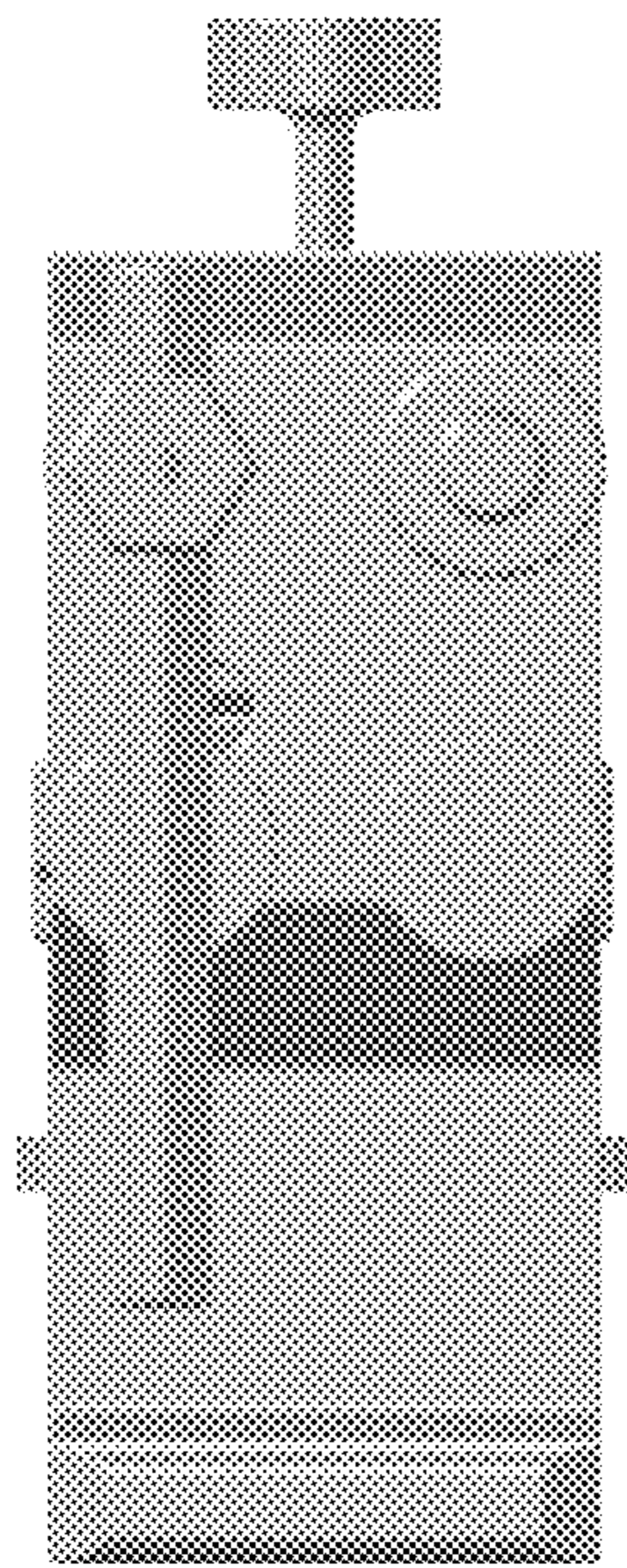


FIG. 3

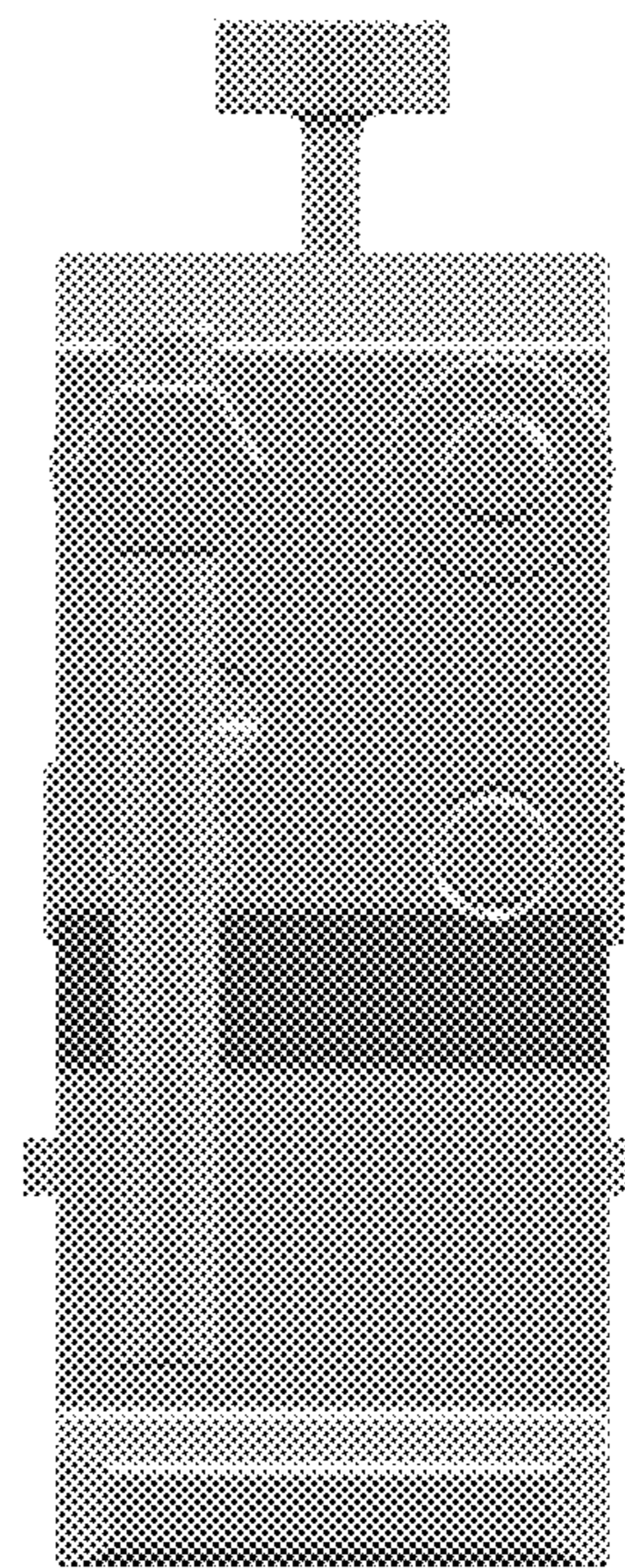


FIG. 4

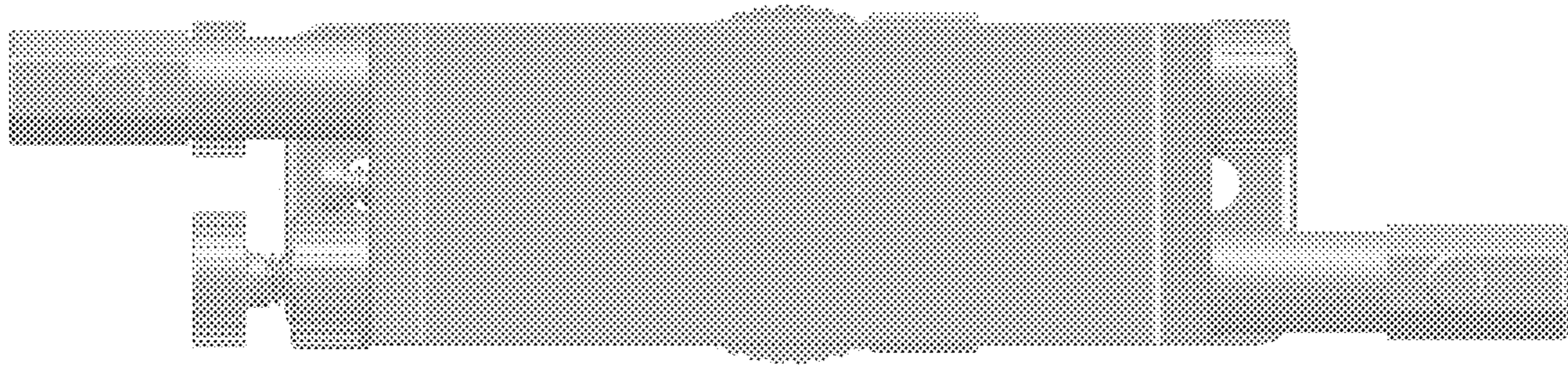


FIG. 5

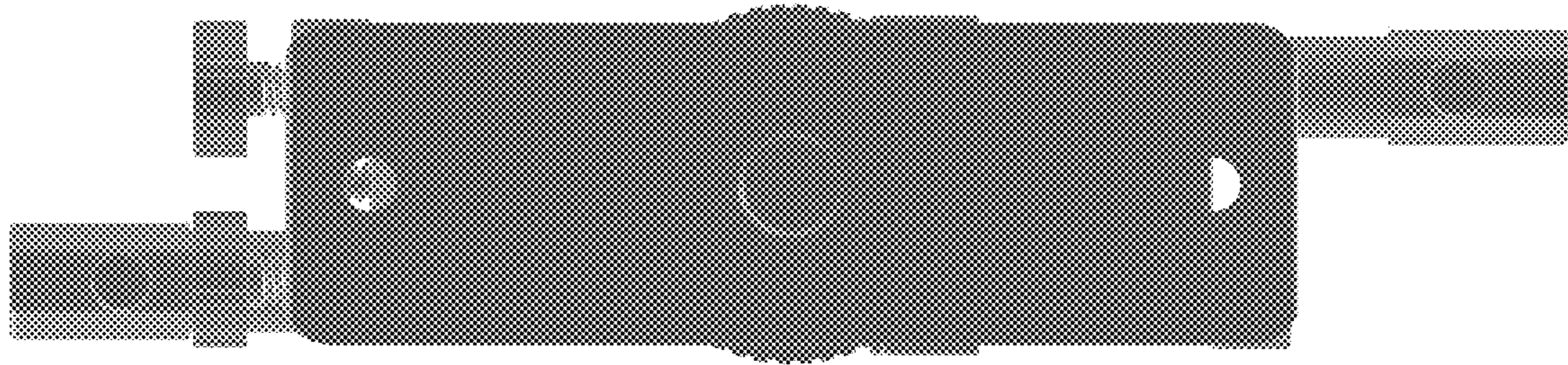


FIG. 6

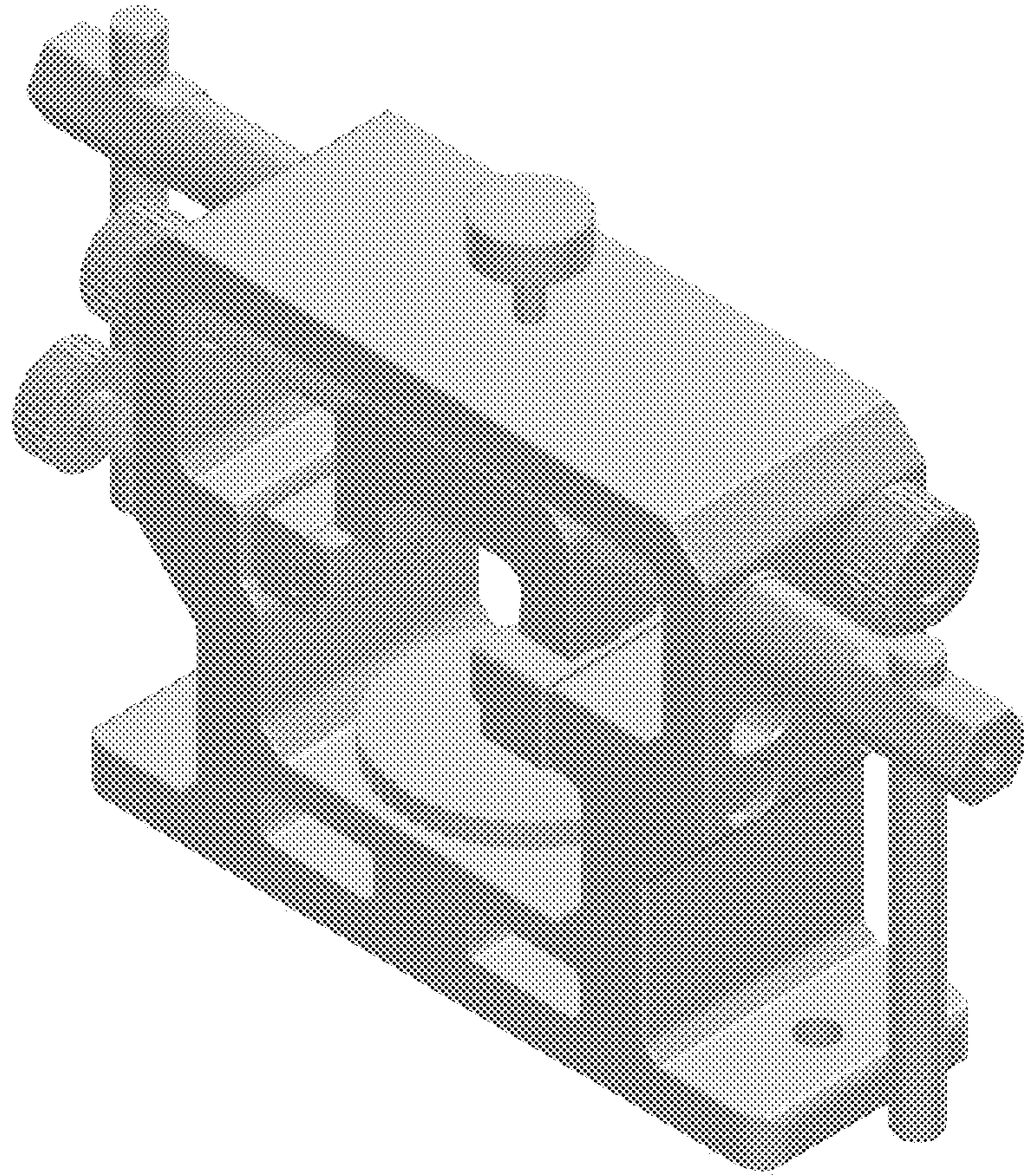


FIG. 7

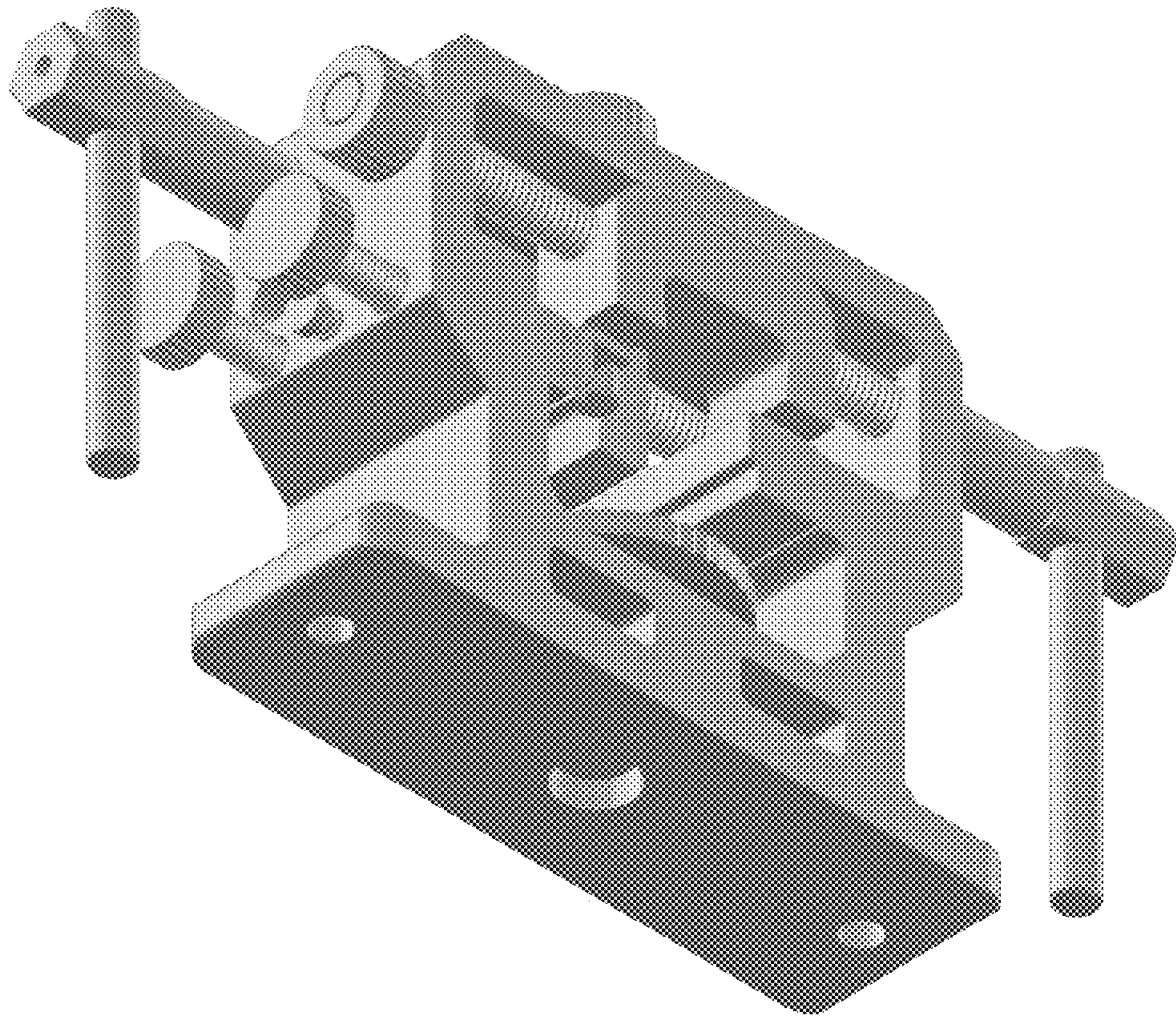


FIG. 8

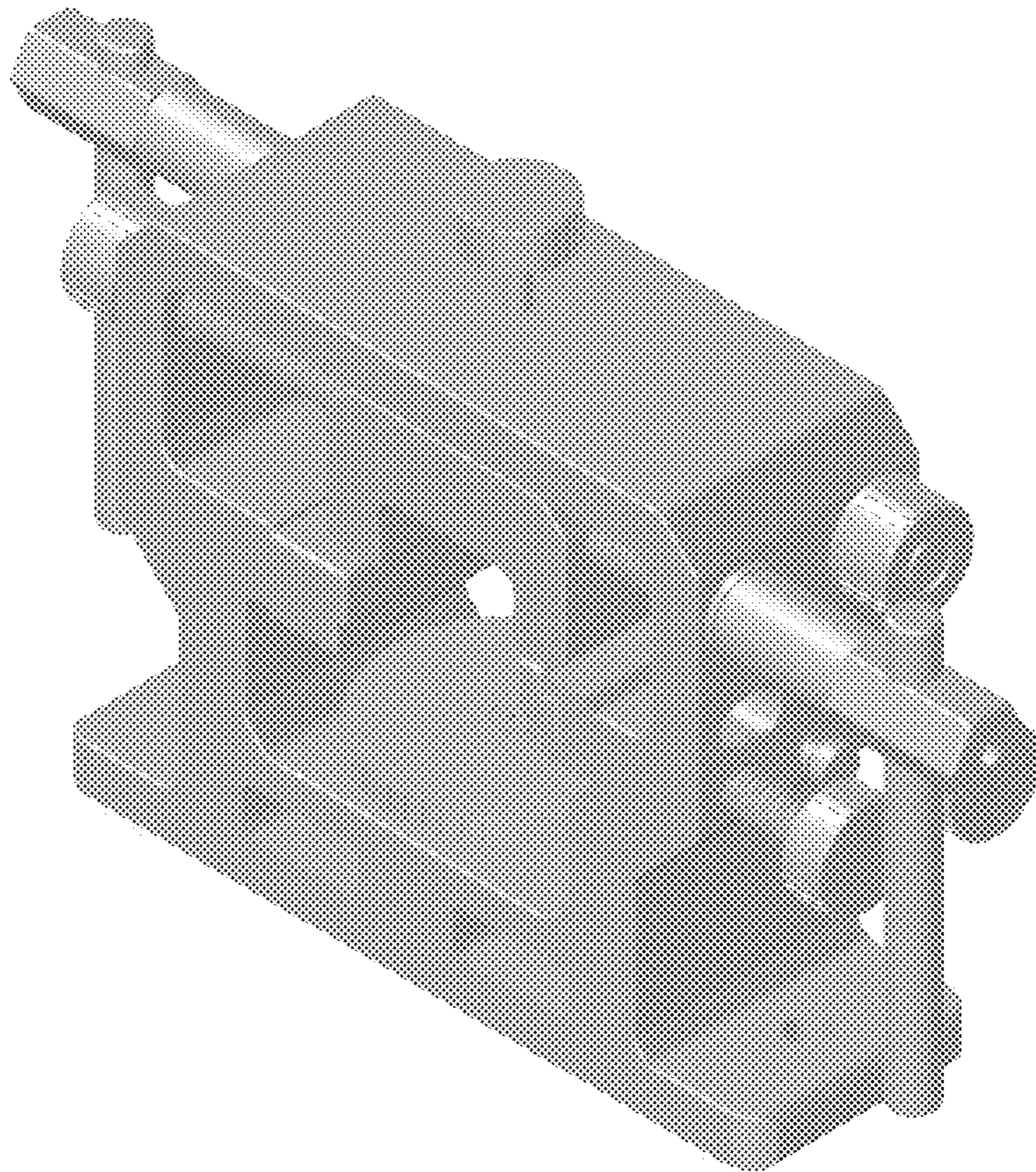


FIG. 9

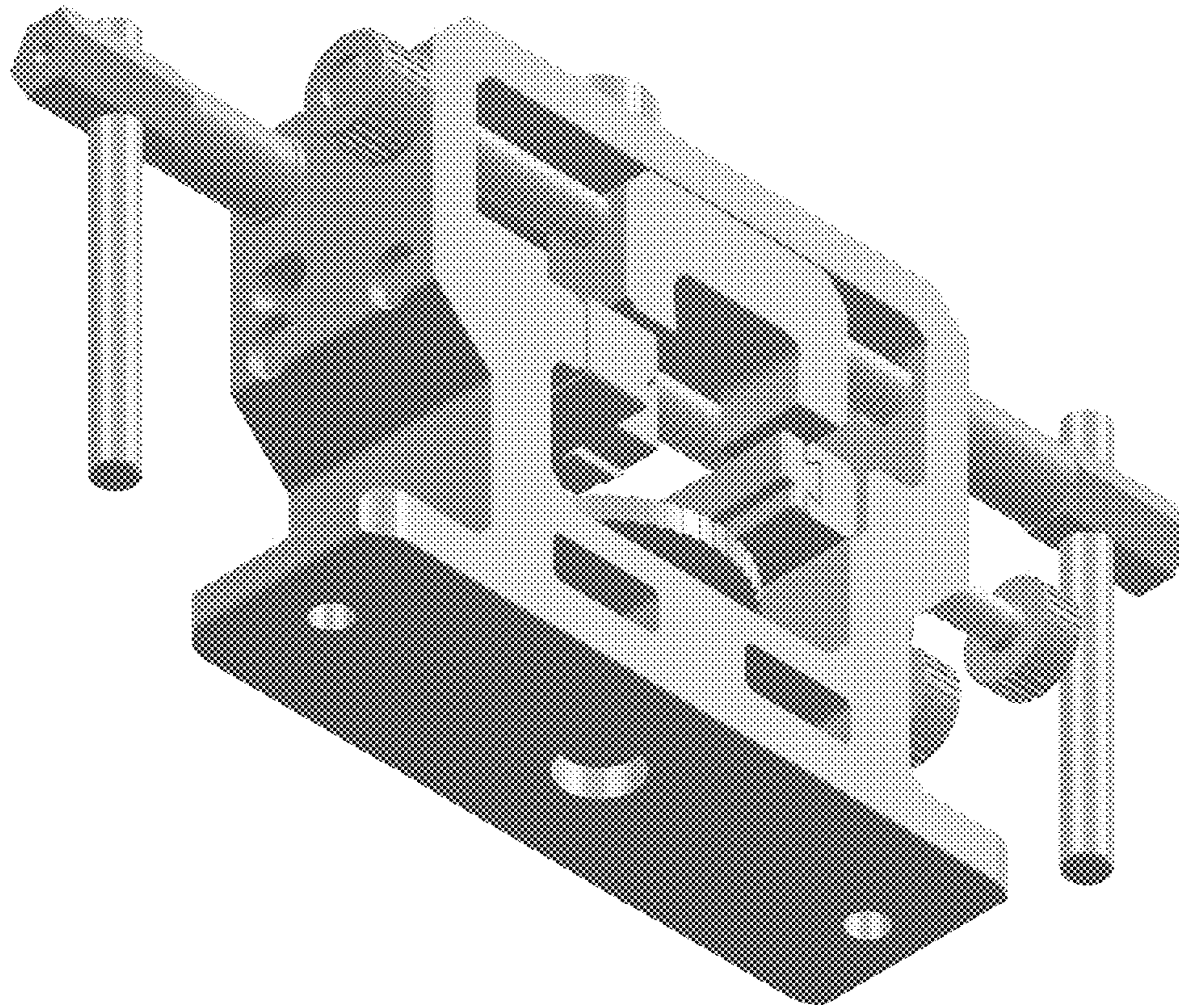


FIG. 10

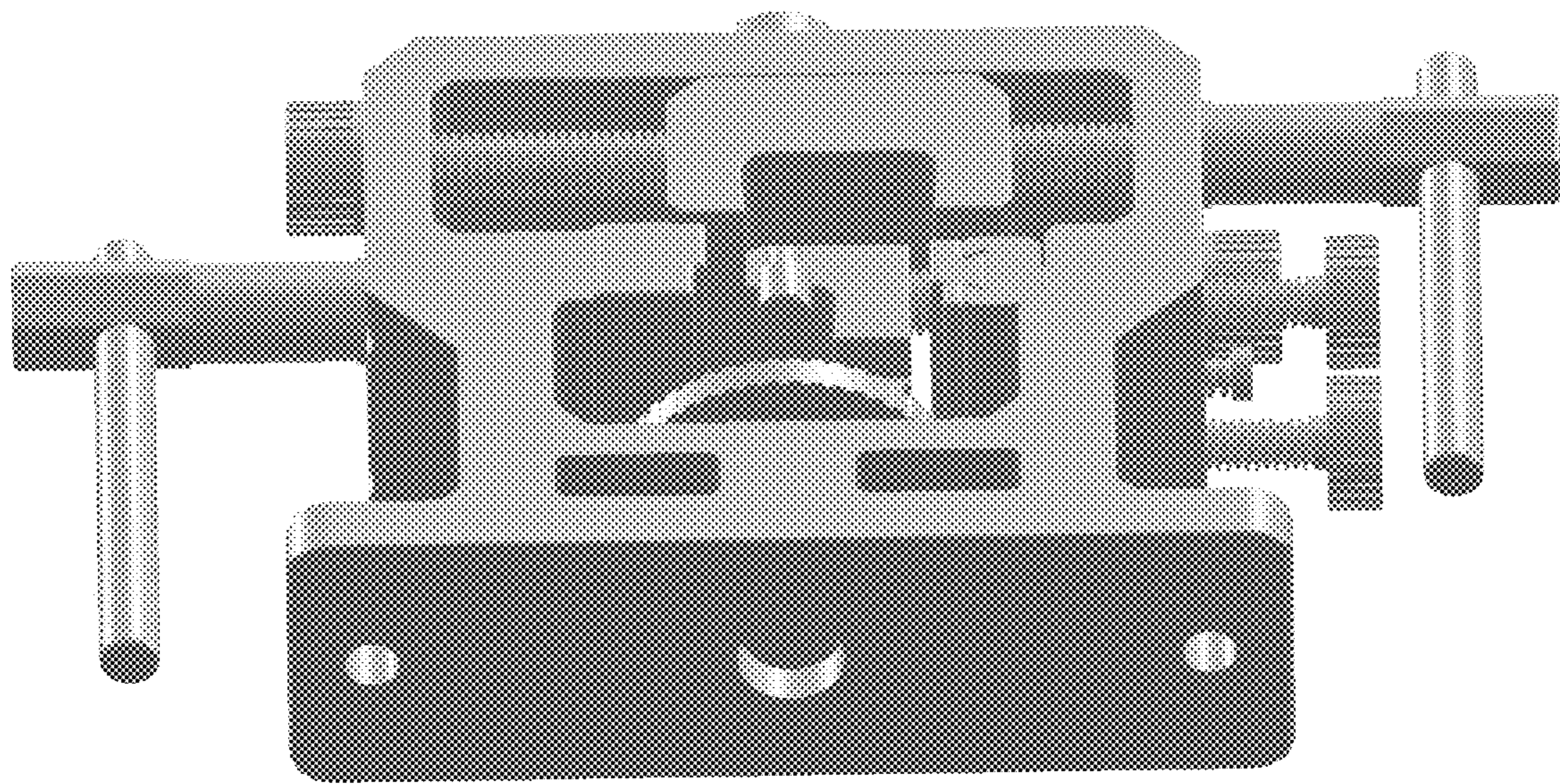


FIG. 11