



US00D880267S

(12) **United States Design Patent**
Dahill

(10) **Patent No.:** **US D880,267 S**

(45) **Date of Patent:** **** Apr. 7, 2020**

(54) **TOP MEMBER FOR TILE LEVELING DEVICE**

| | | | |
|--------------|---------|----------------|--------|
| D678,039 S * | 3/2013 | Psaila | D8/354 |
| 8,429,878 B1 | 4/2013 | Hoffman et al. | |
| 8,429,879 B1 | 4/2013 | Hoffman et al. | |
| 8,561,370 B1 | 10/2013 | Hoffman et al. | |
| 8,572,927 B1 | 11/2013 | Hoffman et al. | |
| 8,607,530 B2 | 12/2013 | Hoffman et al. | |

(Continued)

(71) Applicant: **TTI (MACAO COMMERCIAL OFFSHORE) LIMITED, Macau (MO)**

(72) Inventor: **Drew A. Dahill, Pendleton, SC (US)**

(73) Assignee: **TTI (MACAO COMMERCIAL OFFSHORE) LIMITED, Macau (MO)**

(**) Term: **15 Years**

(21) Appl. No.: **29/636,495**

(22) Filed: **Feb. 8, 2018**

(51) **LOC (12) Cl.** **08-05**

(52) **U.S. Cl.**
USPC **D8/71**

(58) **Field of Classification Search**
USPC D8/105, 307, 310, 313, 321, 354, 382,
D8/387, 71
CPC E04F 19/06; E04F 21/18; E04F 21/0092;
B28D 1/225; G01B 3/30; G09F
2017/0066; G09F 17/00
See application file for complete search history.

(56) **References Cited**

U.S. PATENT DOCUMENTS

| | | |
|--------------|---------|------------------|
| 4,397,125 A | 8/1983 | Gussler et al. |
| 5,603,195 A | 2/1997 | Cosentino |
| 7,257,926 B1 | 8/2007 | Kirby |
| 7,621,100 B2 | 11/2009 | Kufner et al. |
| 7,861,487 B2 | 1/2011 | Kufner et al. |
| 7,946,093 B1 | 5/2011 | Sturino |
| 7,954,300 B1 | 6/2011 | Kufner et al. |
| 7,992,354 B2 | 8/2011 | Doda, Jr. |
| 8,011,164 B2 | 9/2011 | Kufner et al. |
| 8,079,199 B1 | 12/2011 | Kufner et al. |
| 8,099,926 B2 | 1/2012 | Kufner et al. |
| 8,181,420 B2 | 5/2012 | Torrents I Comas |
| 8,336,279 B2 | 12/2012 | Kufner et al. |

FOREIGN PATENT DOCUMENTS

| | | | |
|----|----------------|----|---------|
| BR | 102014010232-9 | A2 | 2/2016 |
| EP | 2241702 | A2 | 10/2010 |
| WO | 2016135354 | A1 | 9/2016 |

Primary Examiner — Janice Hallmark

Assistant Examiner — Harold E Blackwell, II

(74) *Attorney, Agent, or Firm* — Michael Best & Friedrich LLP

(57) **CLAIM**

I claim the ornamental design for a top member for tile leveling device, as shown and described.

DESCRIPTION

FIG. 1 is a top-front perspective view of a top member for a tile leveling device according to an embodiment of the invention.

FIG. 2 is a top view of the top member of FIG. 1.

FIG. 3 is a bottom view of the top member of FIG. 1.

FIG. 4 is a front view of the top member of FIG. 1.

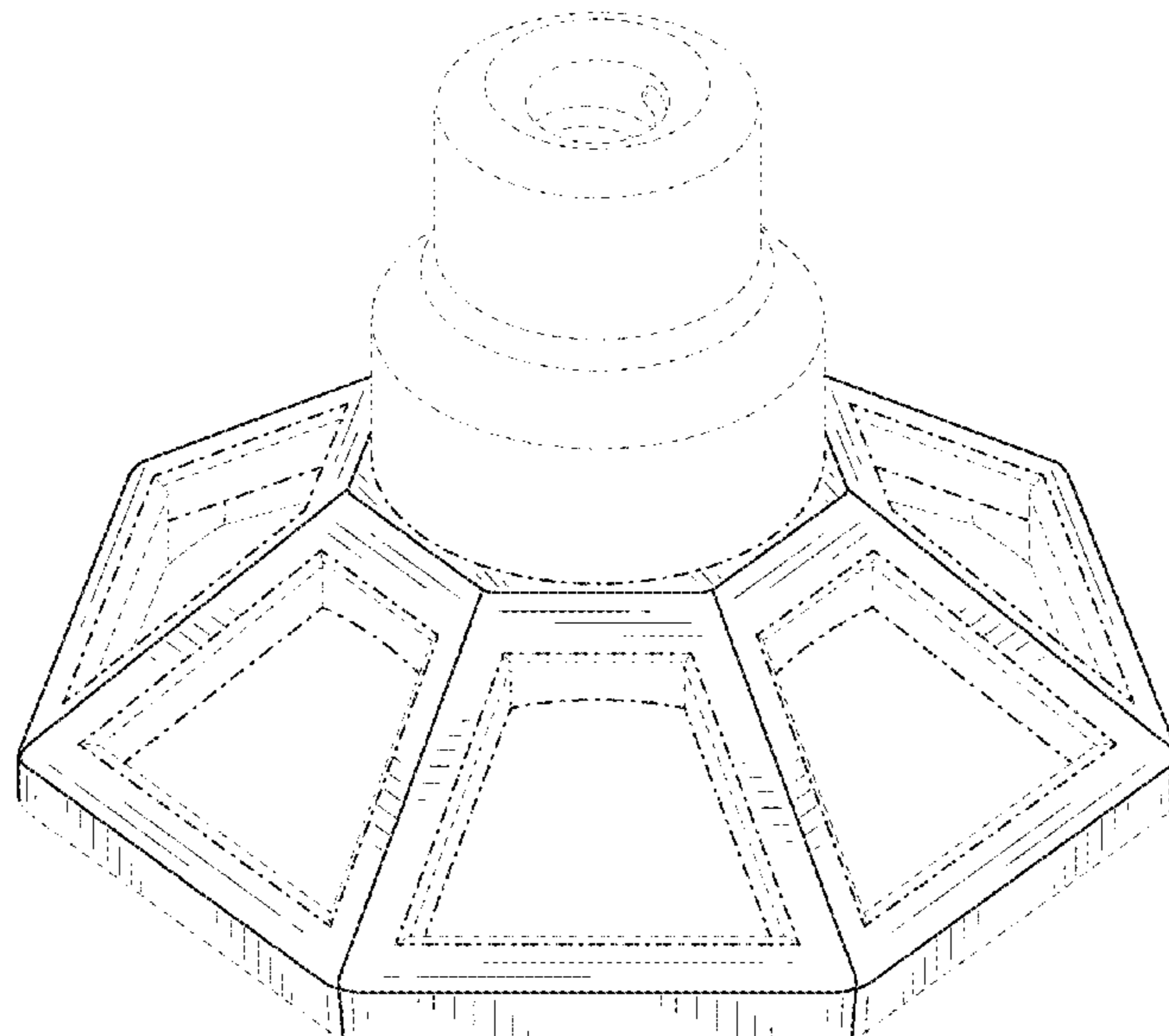
FIG. 5 is a rear view of the top member of FIG. 1.

FIG. 6 is a left view of the top member of FIG. 1; and,

FIG. 7 is a right view of the top member of FIG. 1.

The portions of the top member for tile leveling device shown in broken lines are included for the purpose of illustrating environment and form no part of the claimed design. The portions of the top member for tile leveling device shown in broken lines having unequal length segments illustrate the boundary of the claimed design and form no part of the claimed design.

1 Claim, 5 Drawing Sheets



(56)

References Cited

U.S. PATENT DOCUMENTS

8,635,815 B2 1/2014 Bordin
 8,671,628 B2 3/2014 Sighinolfi
 8,689,521 B1 4/2014 Hoffman et al.
 8,689,522 B2 4/2014 Hoffman et al.
 8,800,246 B2 8/2014 Gorton
 8,820,031 B2 9/2014 Kufner et al.
 8,887,475 B2 11/2014 Ghelfi
 8,966,835 B1 3/2015 Hoffman et al.
 9,027,308 B2 3/2015 Kufner et al.
 9,010,064 B1 4/2015 Farahmandpour
 9,045,911 B2 6/2015 Hoffman et al.
 9,097,026 B2 8/2015 Hoffman et al.
 D742,719 S * 11/2015 Komura D8/349
 9,228,363 B2 1/2016 Kufner et al.
 9,260,855 B2 2/2016 Farahmandpour
 9,260,872 B2 2/2016 Bunch
 9,267,298 B2 2/2016 Kufner et al.
 9,279,259 B1 3/2016 Russo
 9,322,185 B1 4/2016 Russo
 9,322,186 B1 4/2016 Chang et al.
 9,328,522 B2 5/2016 Bordin
 9,464,448 B2 10/2016 Hoffman et al.
 9,470,002 B2 10/2016 Irvine et al.
 9,470,003 B1 10/2016 Moon
 9,482,018 B2 11/2016 Torrents I Comas
 9,482,019 B2 11/2016 Fontana
 9,487,959 B2 11/2016 Bunch et al.

D775,935 S * 1/2017 Sarajian D8/354
 D778,709 S 2/2017 Russo
 9,657,485 B2 * 5/2017 Meyers E04F 21/1877
 D792,250 S * 7/2017 Hill D10/66
 D830,161 S * 10/2018 Russo D8/399
 D831,459 S * 10/2018 Cartwright D8/70
 D834,922 S * 12/2018 Russo D8/355
 D856,105 S * 8/2019 Dahill D8/71
 D856,106 S * 8/2019 Dahill D8/71
 D856,772 S * 8/2019 Dahill D8/71
 D857,473 S * 8/2019 Dahill D8/71
 D858,241 S * 9/2019 Dahill D8/71
 2006/0185269 A1 8/2006 Kufner et al.
 2009/0126213 A1 * 5/2009 Tavy E04F 21/0092
 33/527
 2010/0263304 A1 10/2010 Torrents I Comas
 2010/0287868 A1 11/2010 Kufner et al.
 2013/0067854 A1 * 3/2013 Bordin E04F 21/0092
 52/749.11
 2013/0255182 A1 10/2013 Kufner et al.
 2014/0116001 A1 5/2014 Ghelfi
 2014/0325936 A1 11/2014 Psaila et al.
 2015/0211243 A1 7/2015 Irvine et al.
 2015/0240504 A1 8/2015 Hoffman et al.
 2015/0267420 A1 9/2015 Fontana
 2016/0108627 A1 4/2016 Kufner et al.
 2016/0186449 A1 6/2016 Lee
 2016/0376795 A1 12/2016 Irvine et al.
 2017/0009464 A1 1/2017 Hoffman et al.
 2017/0009465 A1 1/2017 Volponi

* cited by examiner

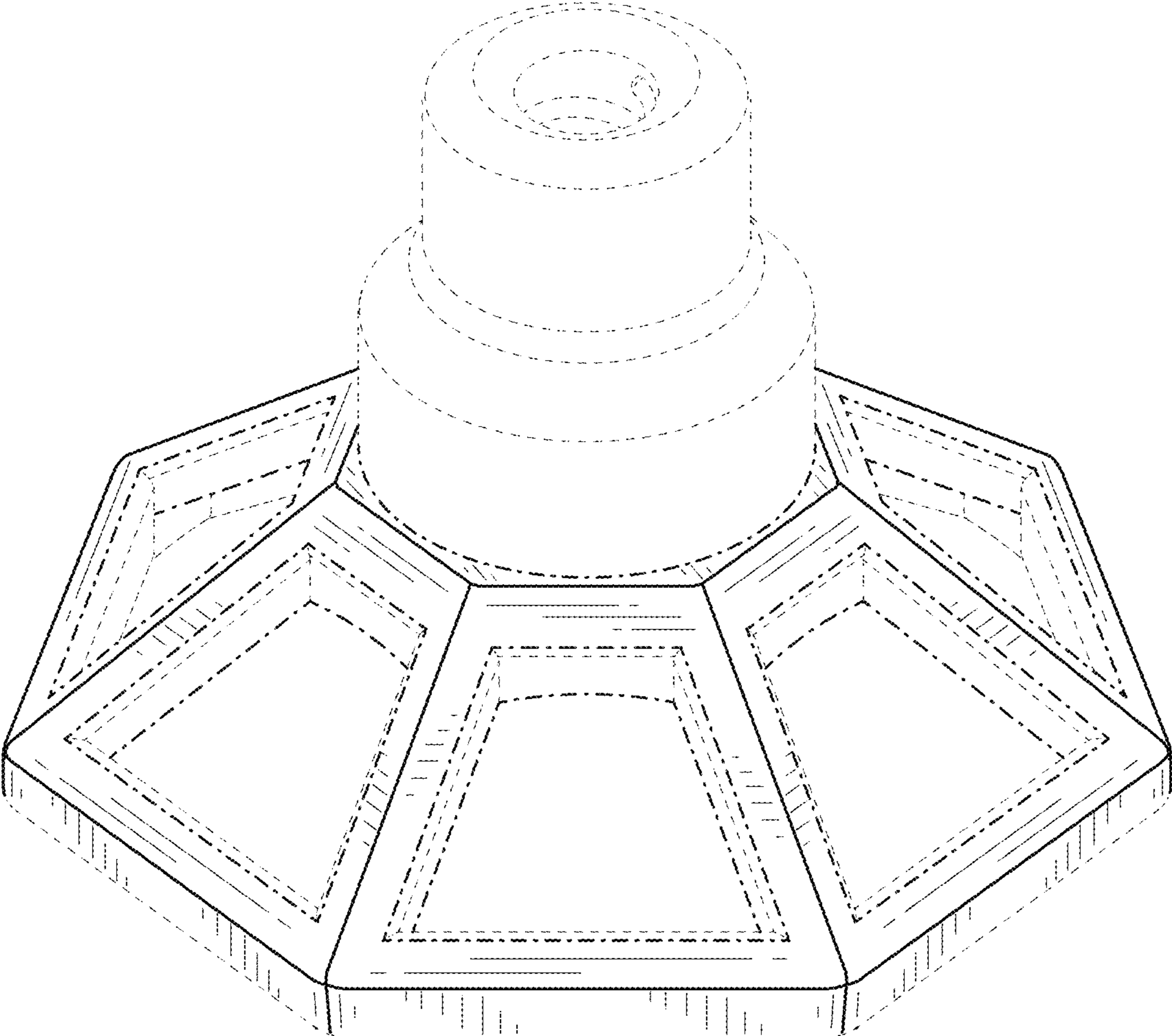


FIG. 1

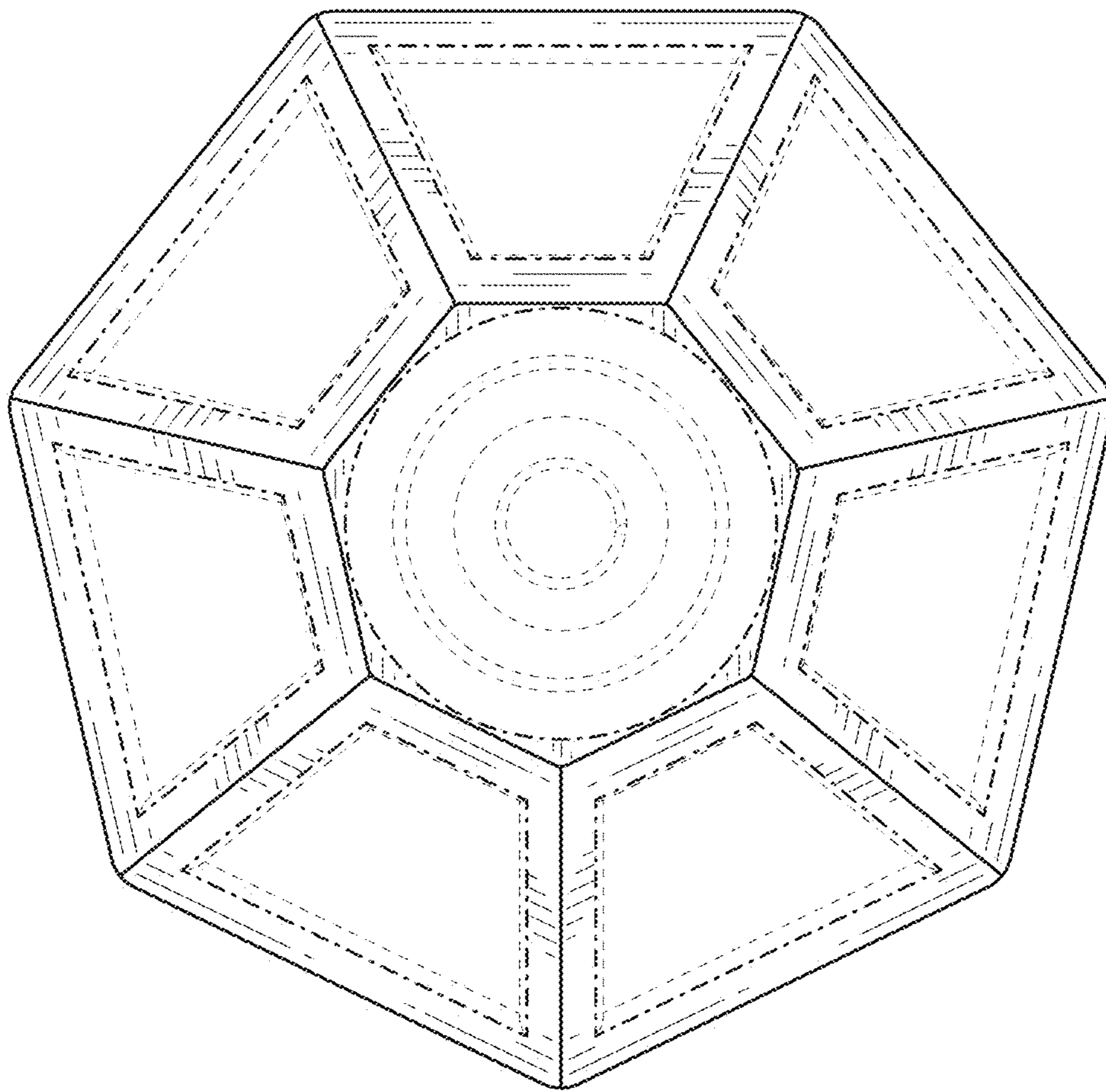


FIG. 2

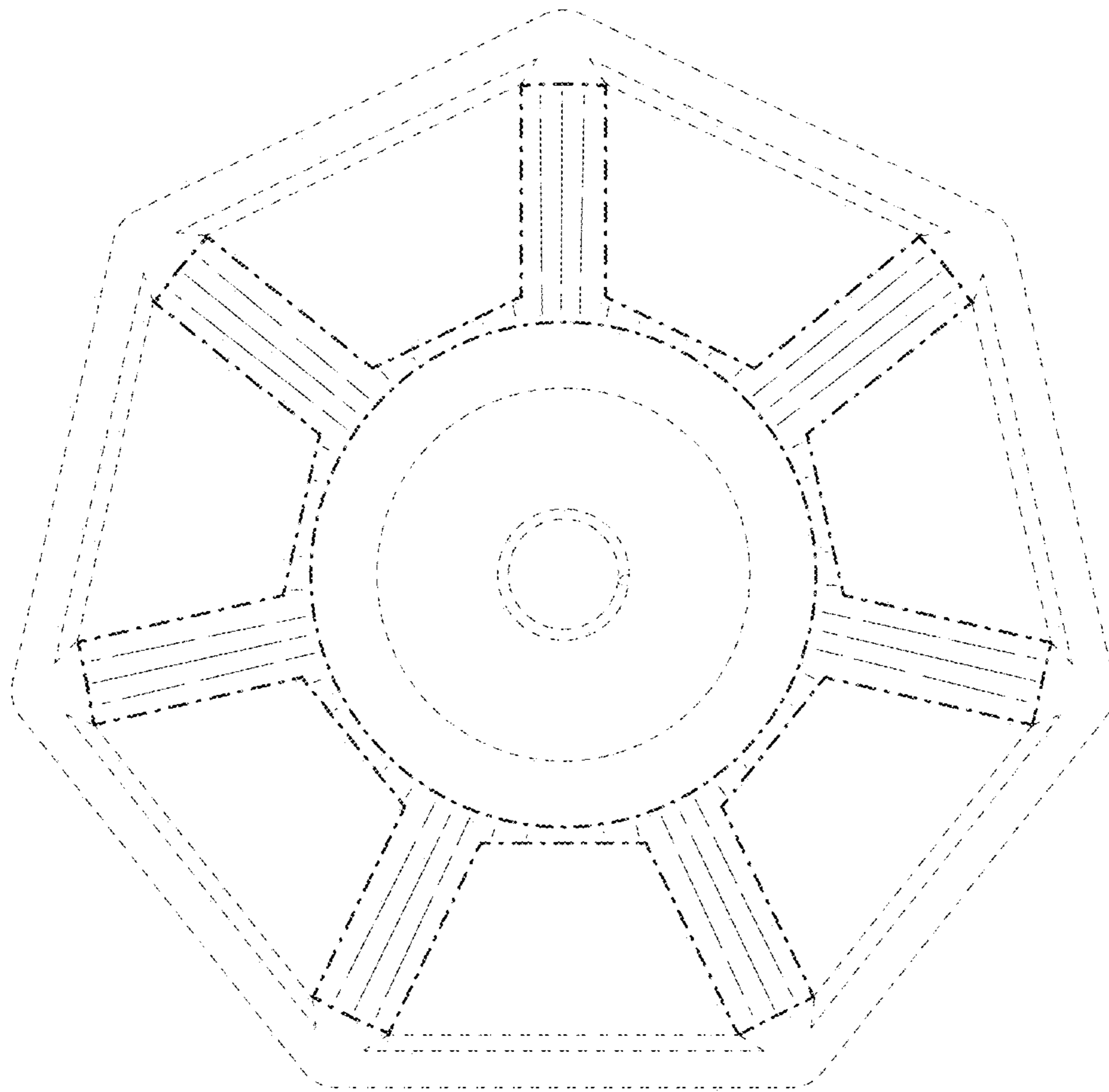


FIG. 3

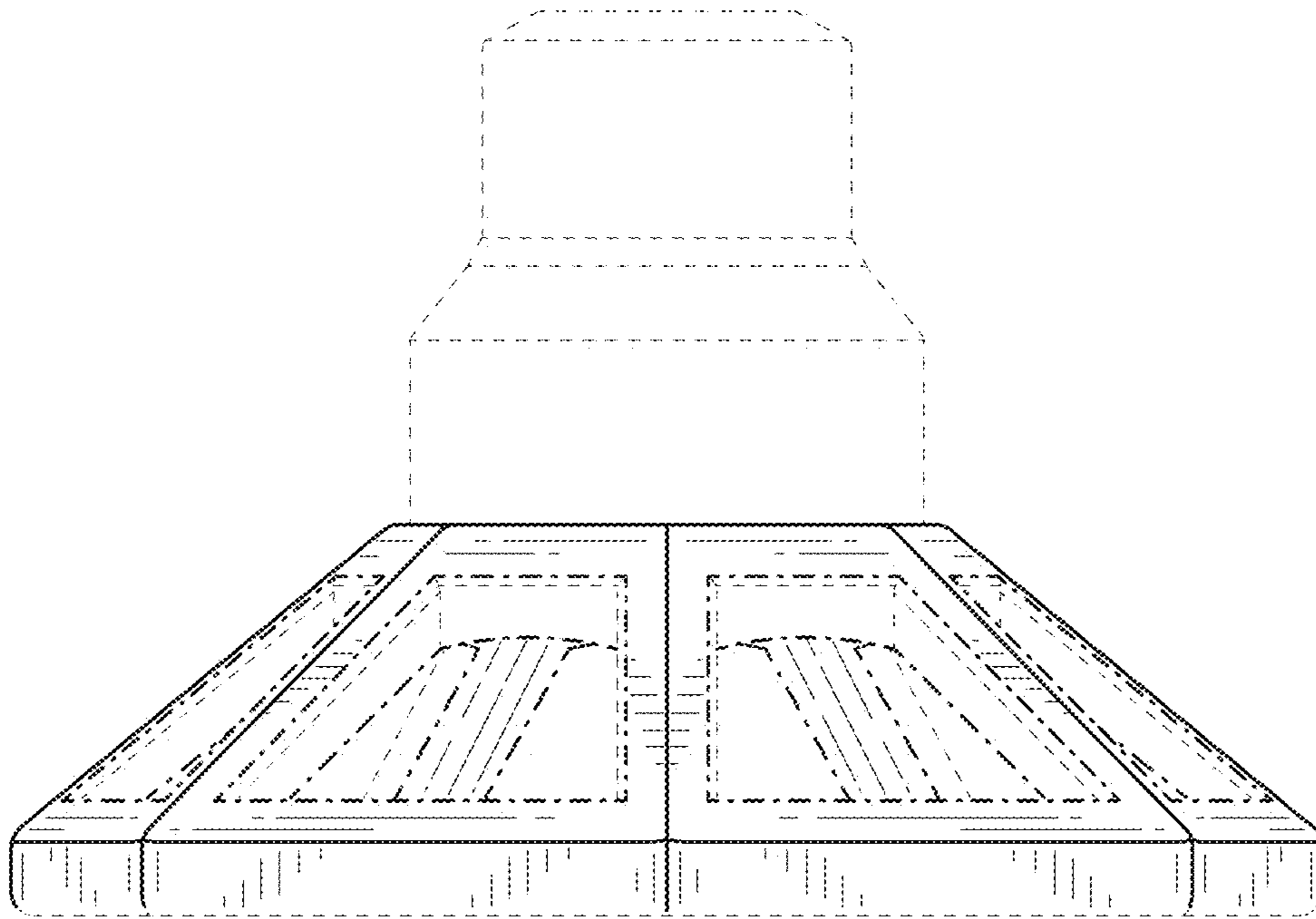


FIG. 4

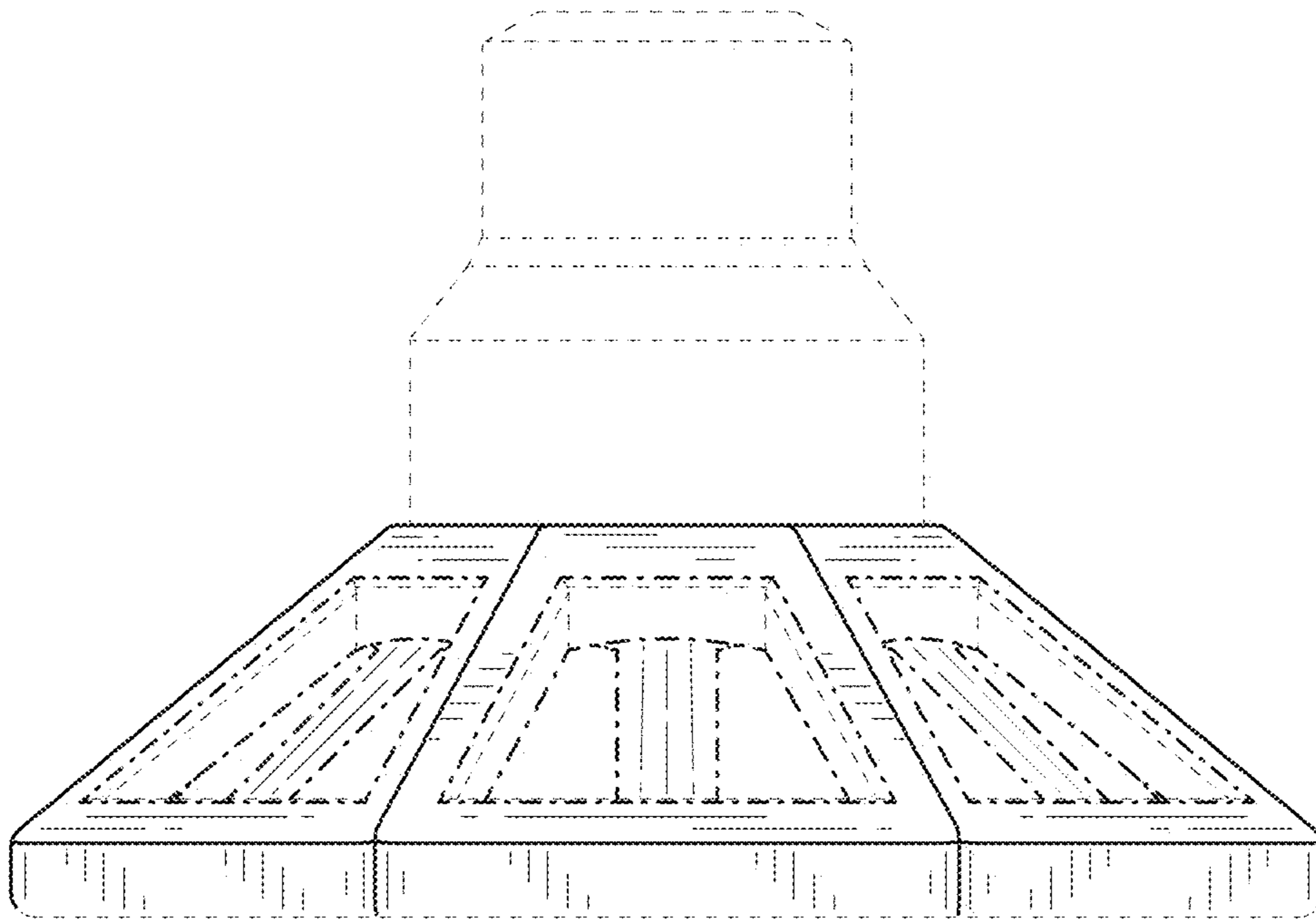


FIG. 5

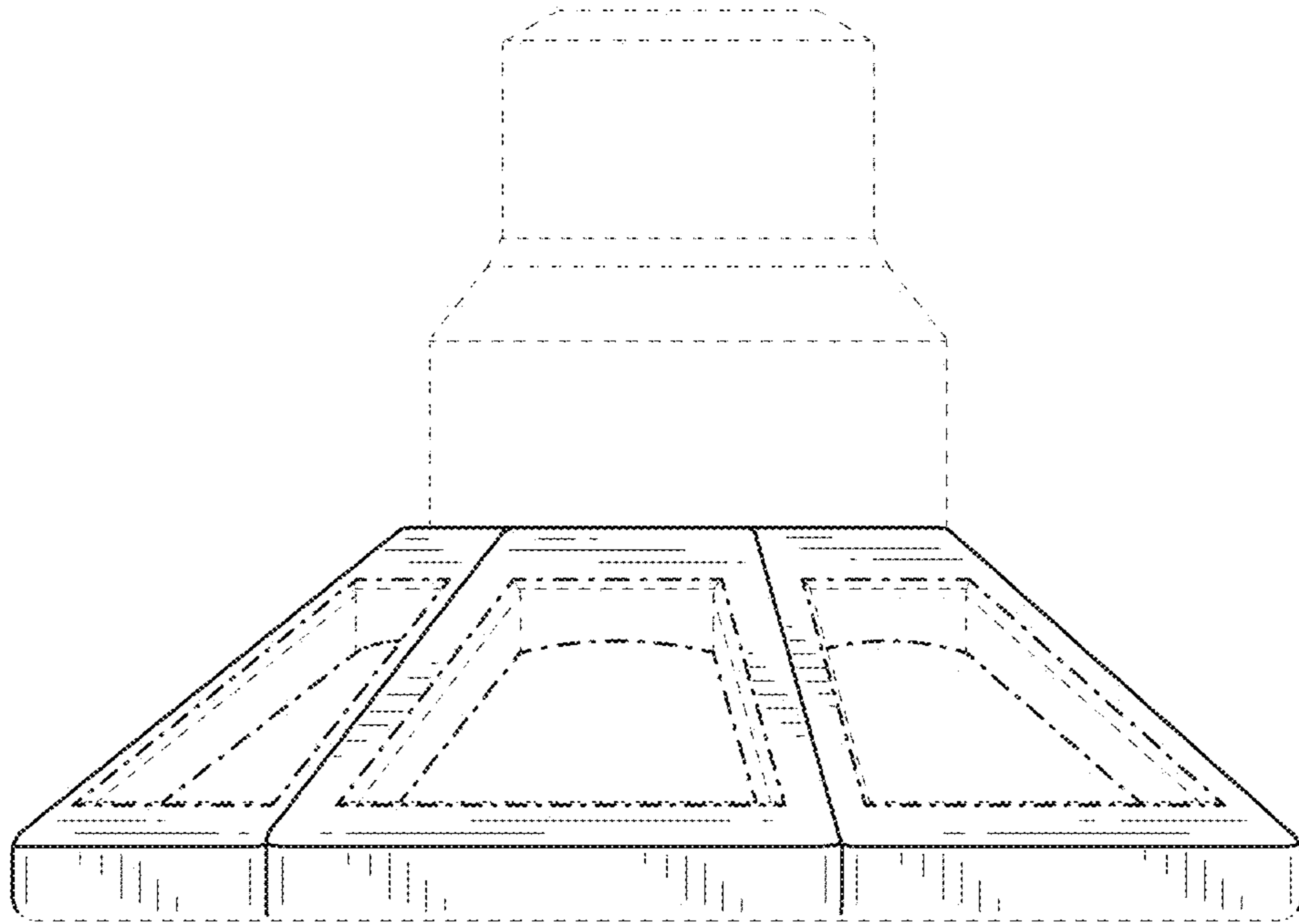


FIG. 6

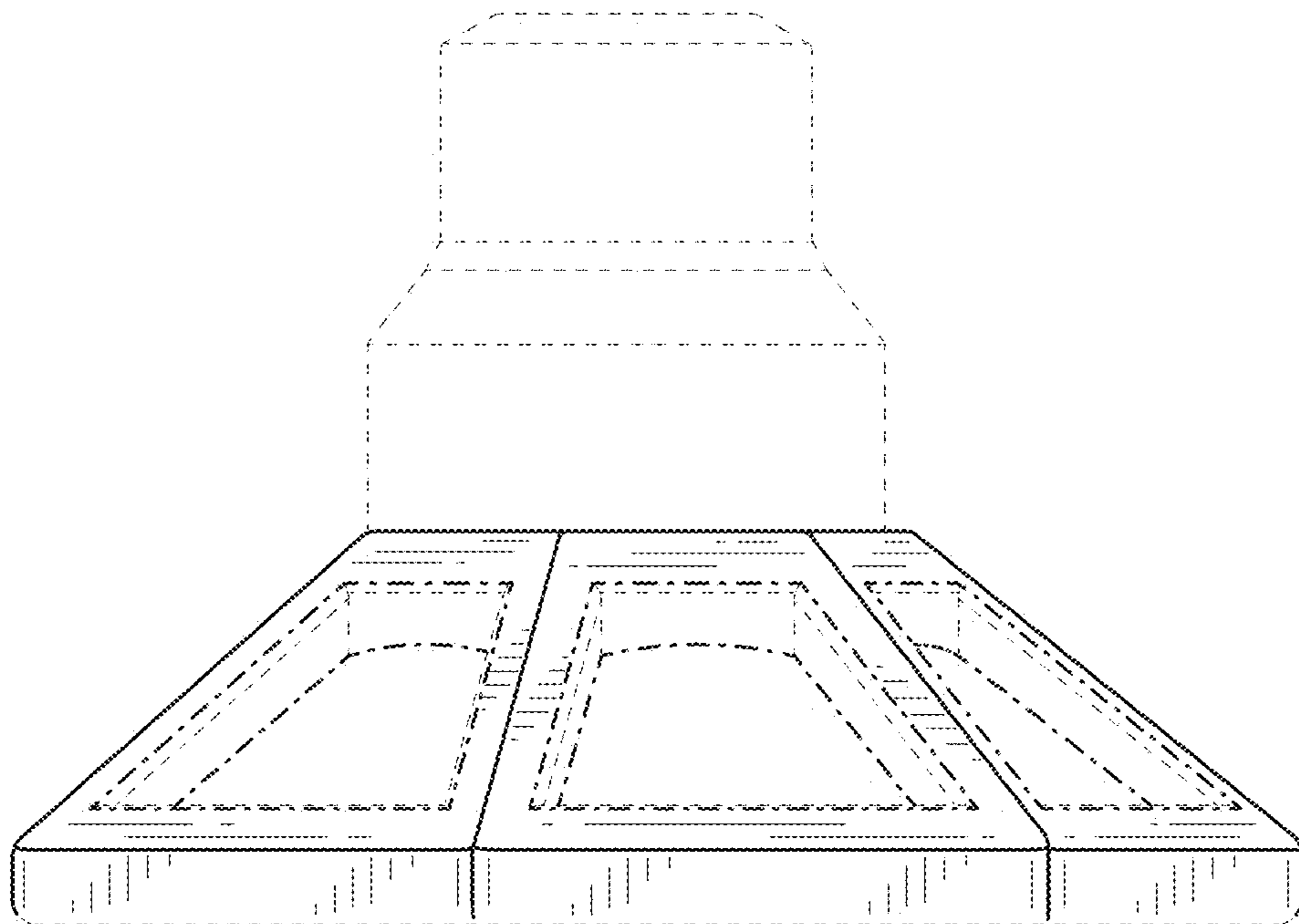


FIG. 7