



US00D880266S

(12) **United States Design Patent**
Knowlton

(10) **Patent No.:** **US D880,266 S**
(45) **Date of Patent:** **** Apr. 7, 2020**

(54) **POWER BRUSH/BROOM DRIVER HUB ASSEMBLY**

(71) Applicant: **Minuteman International, Inc.**,
Hampshire, IL (US)

(72) Inventor: **Christopher M. Knowlton**, Pinehurst,
NC (US)

(73) Assignee: **Minuteman International, Inc.**,
Hampshire, IL (US)

(**) Term: **15 Years**

(21) Appl. No.: **29/619,488**

(22) Filed: **Sep. 29, 2017**

(51) **LOC (12) Cl.** **08-05**

(52) **U.S. Cl.**
USPC **D8/70**

(58) **Field of Classification Search**
USPC D8/70; D15/140
CPC ... B23B 31/4073; B23B 51/0473; B27B 5/32;
B27B 5/34; B23D 61/025
See application file for complete search history.

(56) **References Cited**

U.S. PATENT DOCUMENTS

2,846,826	A *	8/1958	Miller	B24B 45/00 451/342
3,647,310	A *	3/1972	Morse	B23B 51/0426 279/145
3,783,729	A *	1/1974	Parr	B27B 5/32 144/218
5,413,437	A *	5/1995	Bristow	B23B 51/0426 408/1 R
5,658,102	A *	8/1997	Gale	B23B 51/0426 408/1 R
7,175,372	B2 *	2/2007	Davis	B23B 31/4073 408/204
7,506,877	B1 *	3/2009	Henderson	B23B 31/02 279/143

D610,430	S *	2/2010	Fritz	D15/139
D623,034	S *	9/2010	Evatt	D8/70
D633,769	S *	3/2011	Evatt	D8/70
8,366,356	B2 *	2/2013	Novak	B23B 51/0473 408/204
D682,651	S *	5/2013	McRoberts	D8/20
D714,119	S *	9/2014	Graber	D8/70
9,022,703	B2 *	5/2015	Keightley	B23B 51/0473 408/204

(Continued)

Primary Examiner — Darlington Ly

(74) *Attorney, Agent, or Firm* — Frank M. Scutch, III

(57) **CLAIM**

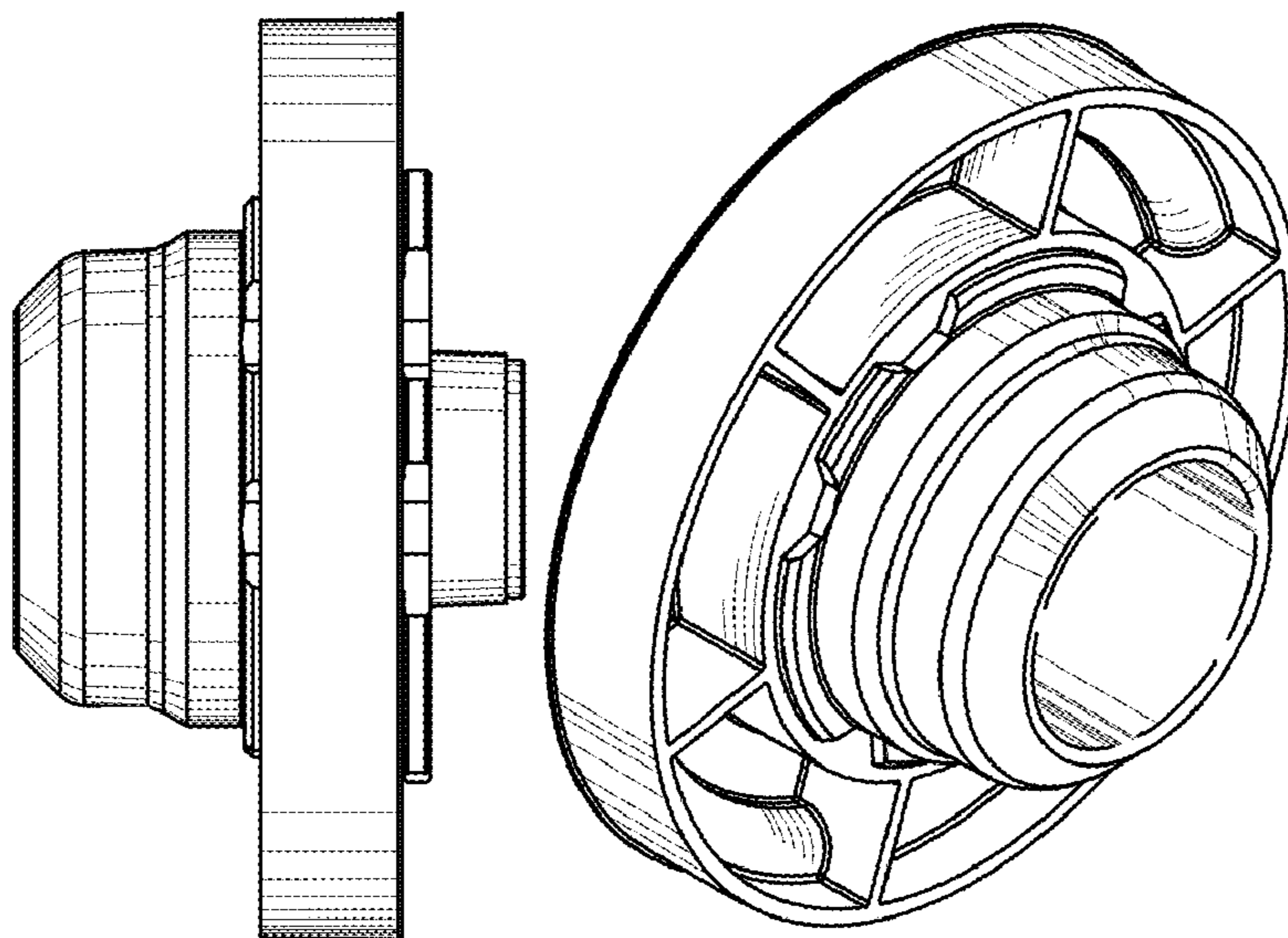
The ornamental design for a power brush/broom driver hub assembly, as shown and described.

DESCRIPTION

FIG. 1 is a front elevation view of the present power brush/broom driver hub assembly;
 FIG. 2 is a side elevation view thereof;
 FIG. 3 is a top perspective view thereof;
 FIG. 4 is a rear elevation view thereof;
 FIG. 5 is a front elevation view of the driver component for the power brush/broom driver hub assembly of FIG. 1 in which my design is embodied;
 FIG. 6 is a side elevation view thereof;
 FIG. 7 is top perspective view thereof;
 FIG. 8 is a rear elevation view thereof;
 FIG. 9 is a front elevation view of the hub component for the power brush/broom driver hub assembly of FIG. 1 in which my design is embodied;
 FIG. 10 is a side elevation view thereof;
 FIG. 11 is a top perspective view thereof; and,
 FIG. 12 is a rear elevation view thereof.

The structure shown in broken lines in the figures is for environment purposes only and does not form part of the claimed invention.

1 Claim, 3 Drawing Sheets



(56)

References Cited

U.S. PATENT DOCUMENTS

D738,178 S * 9/2015 Eisinger D8/70
RE46,103 E * 8/2016 Novak B23B 51/04
2010/0320829 A1* 12/2010 Sollami E21C 35/18
299/106

* cited by examiner

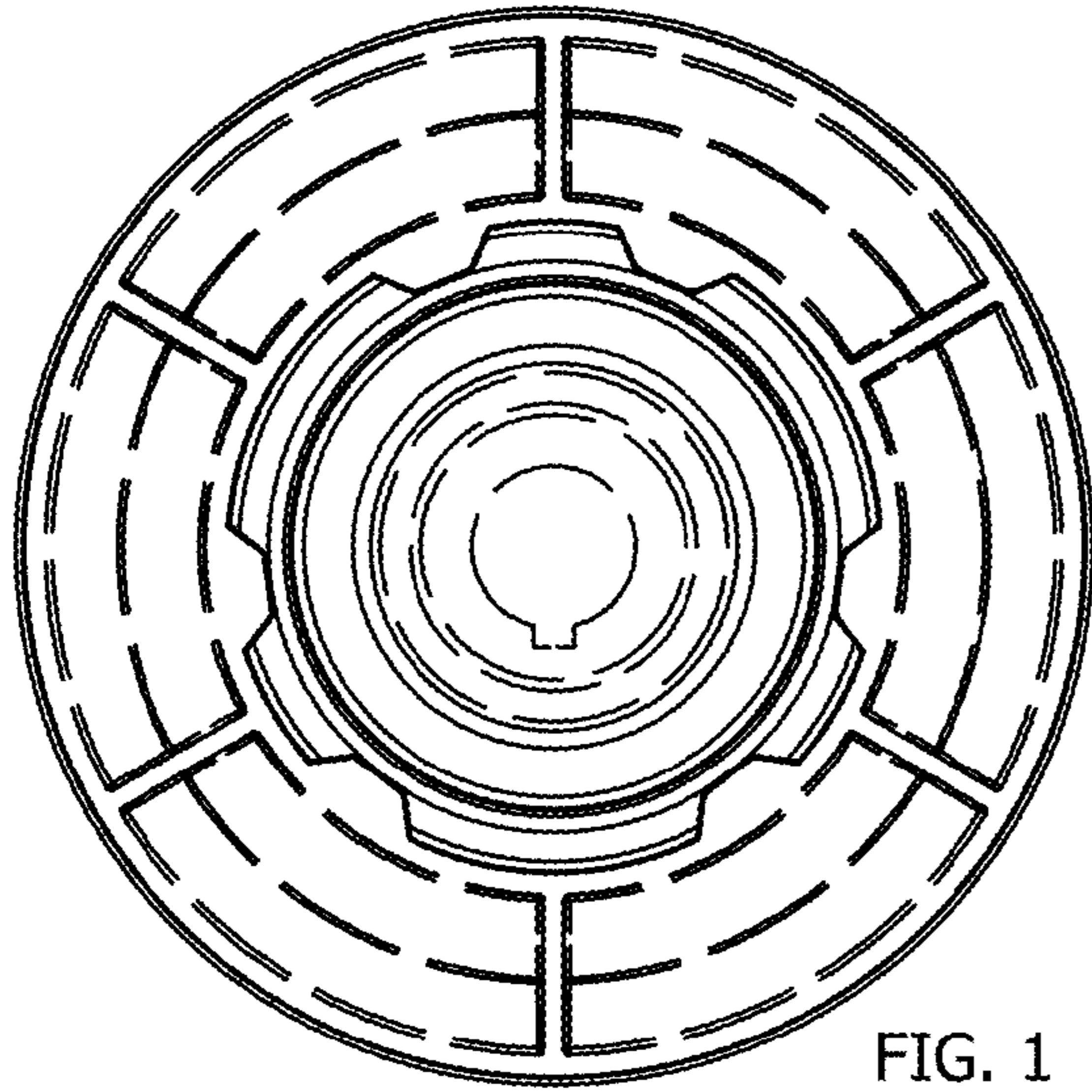


FIG. 1

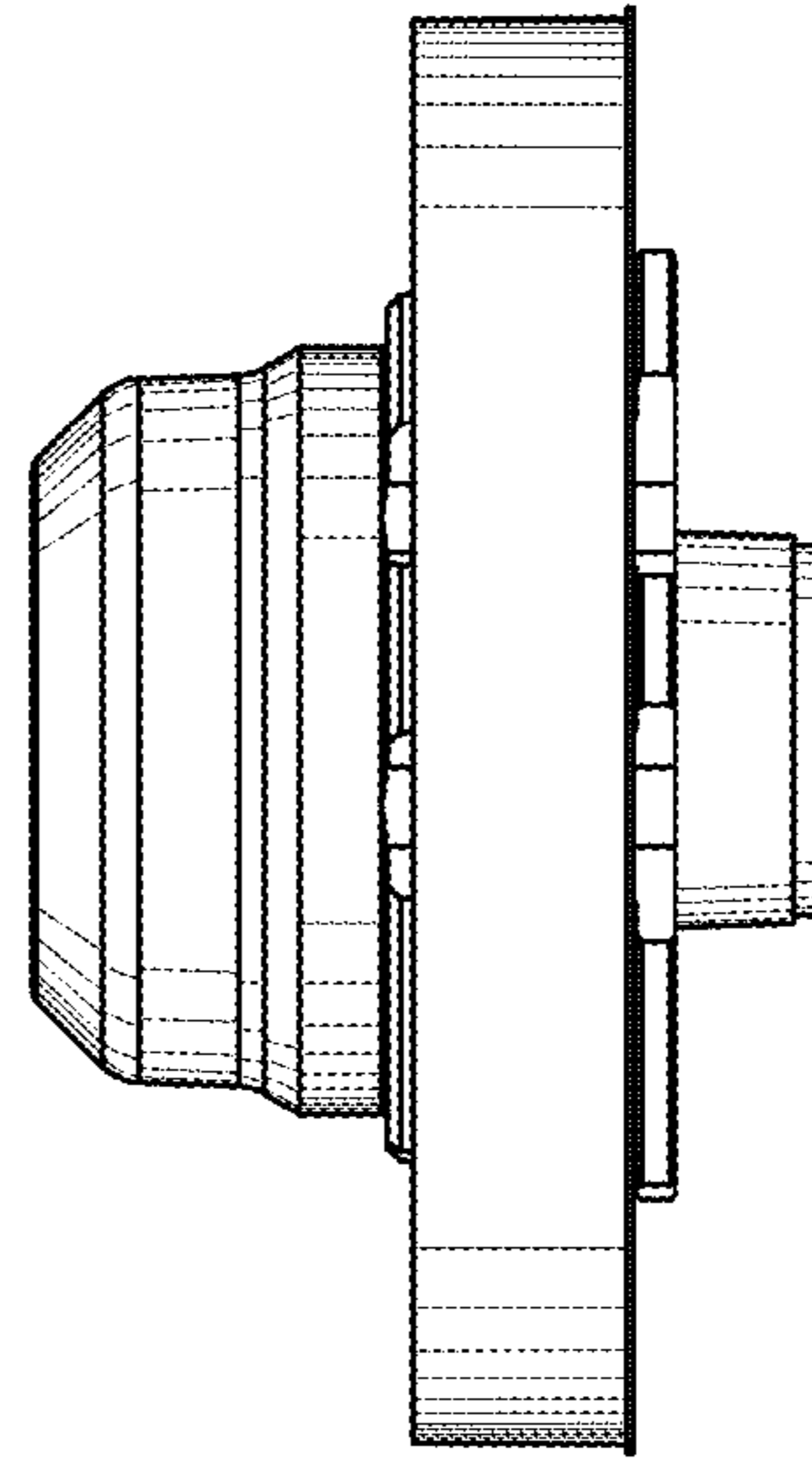


FIG. 2

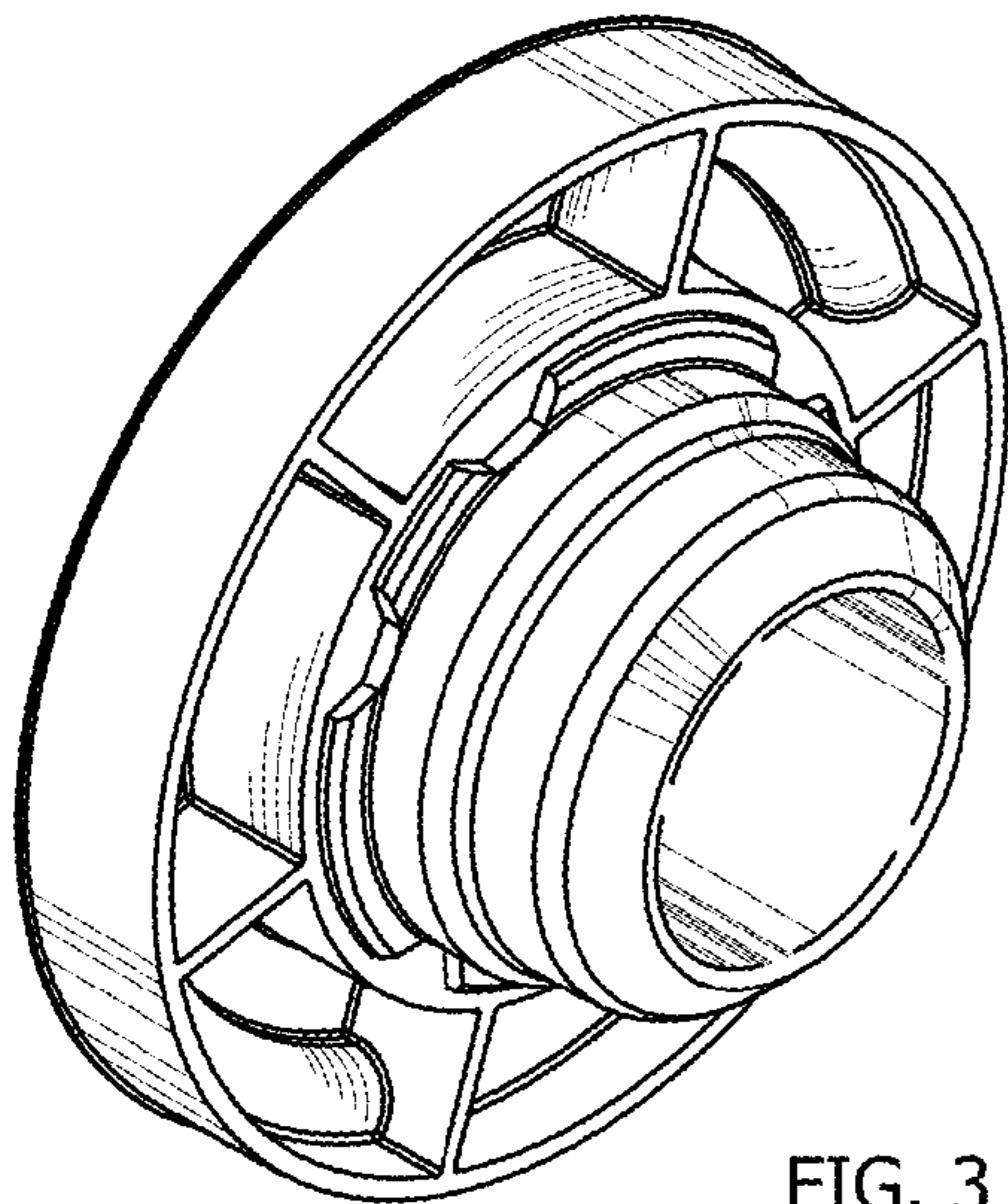


FIG. 3

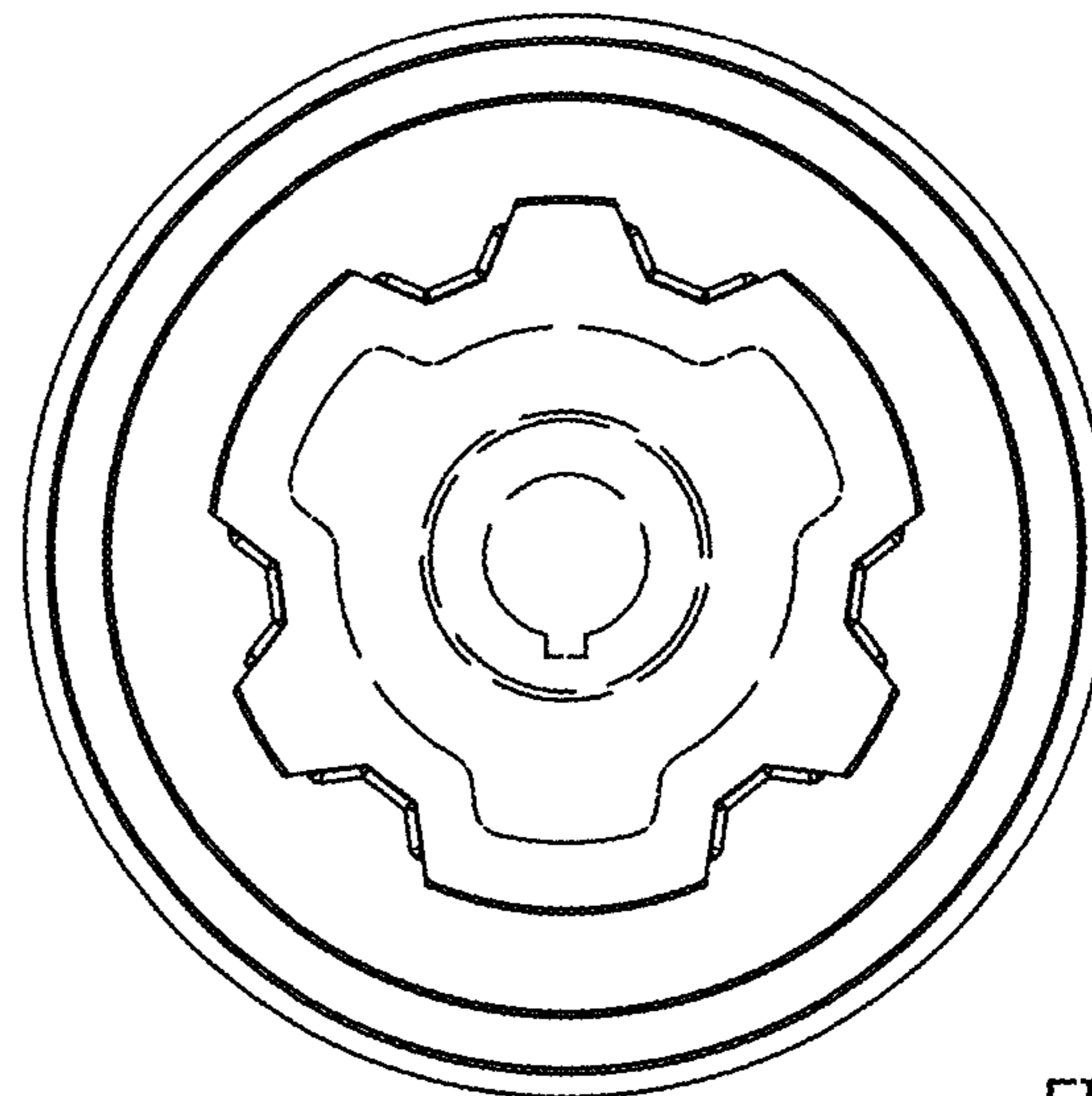


FIG. 4

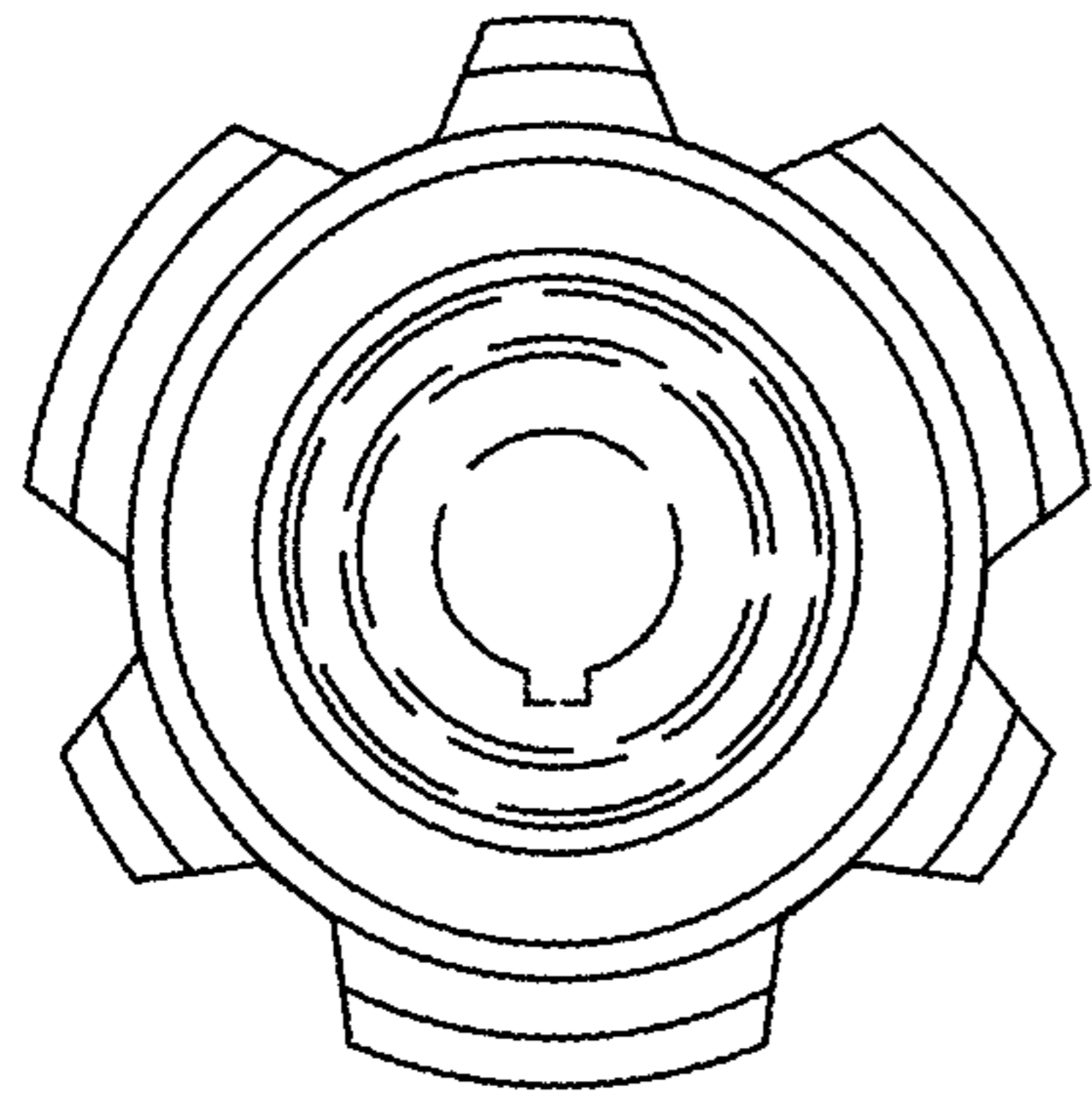


FIG. 5

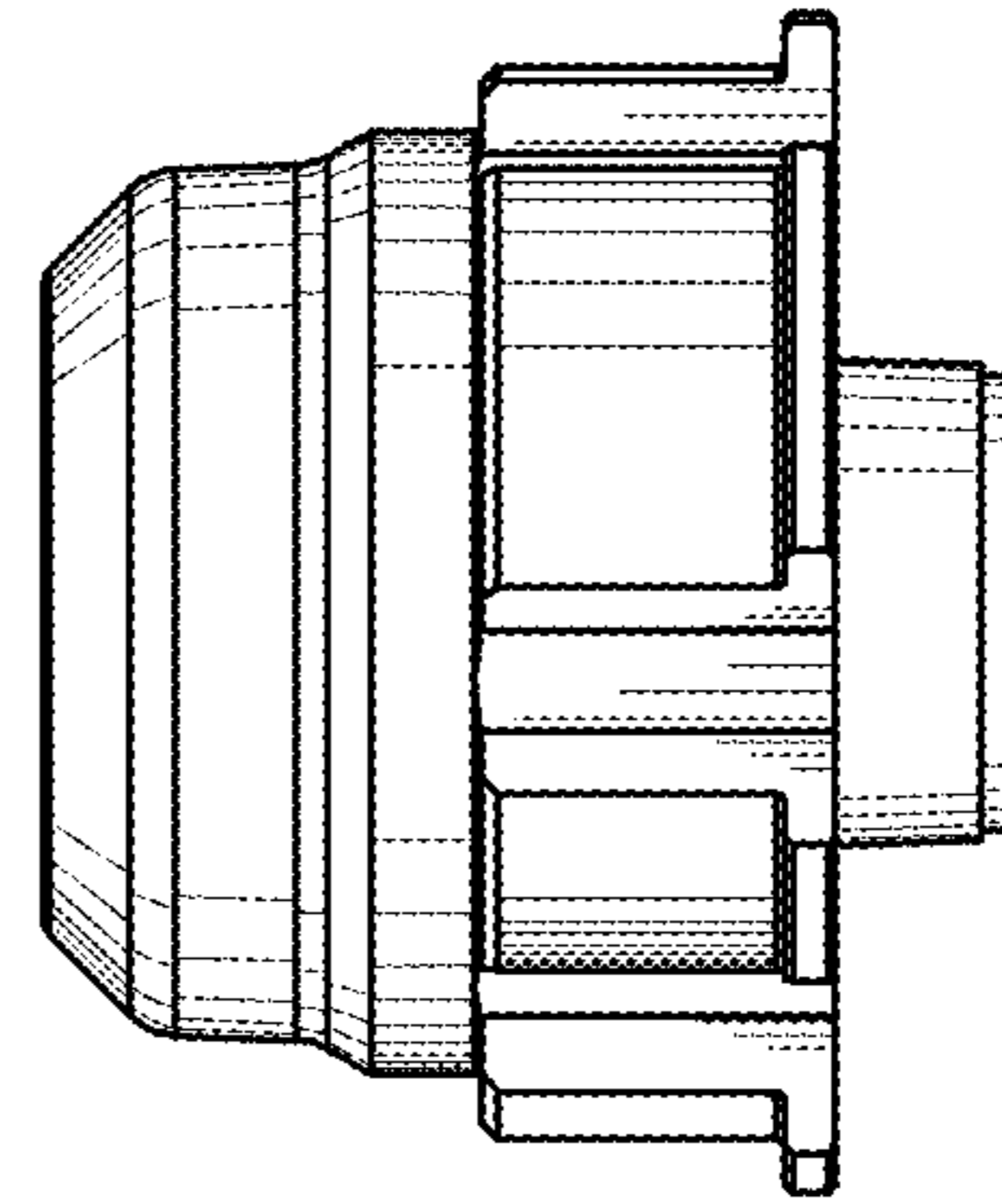


FIG. 6

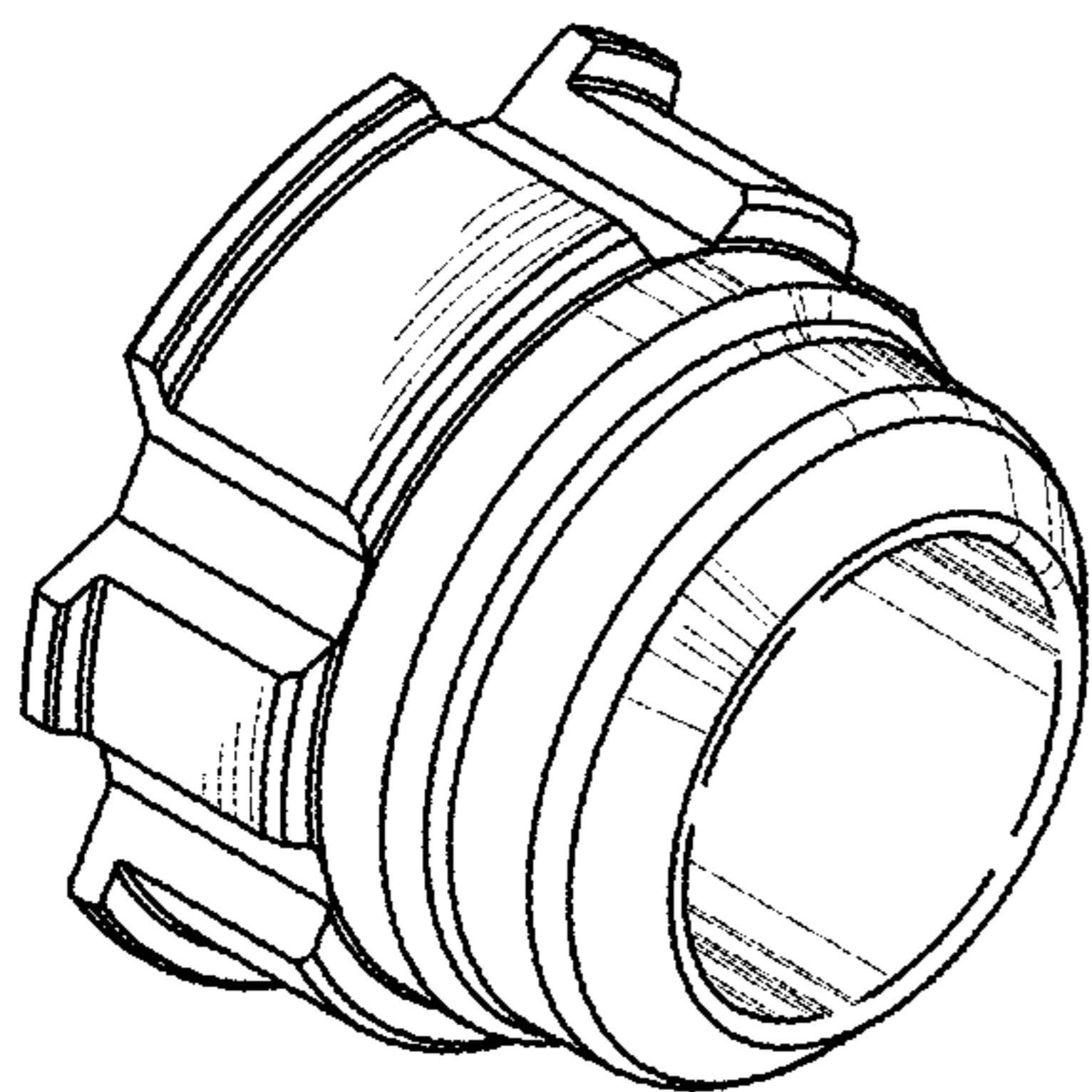


FIG. 7

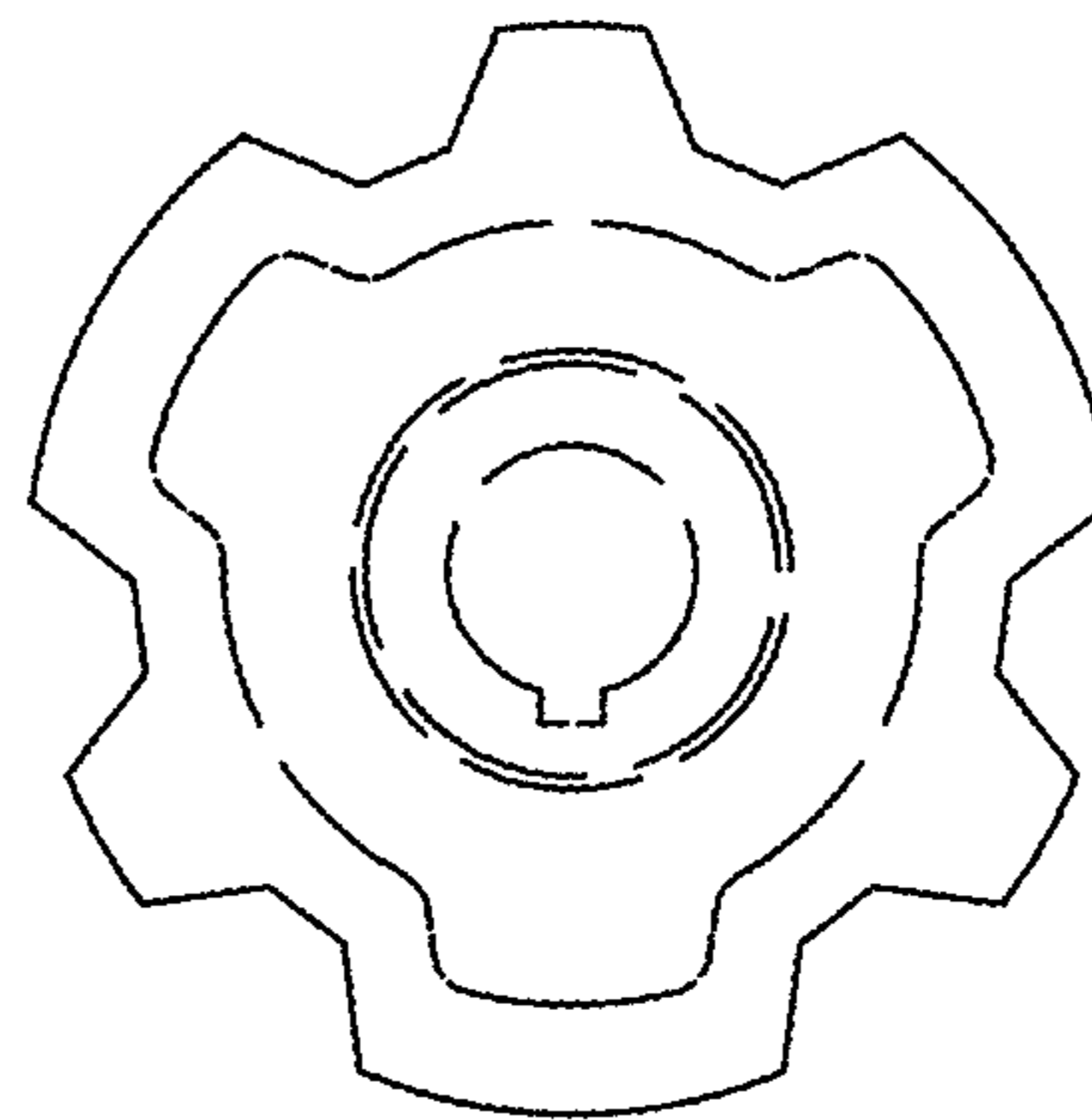


FIG. 8

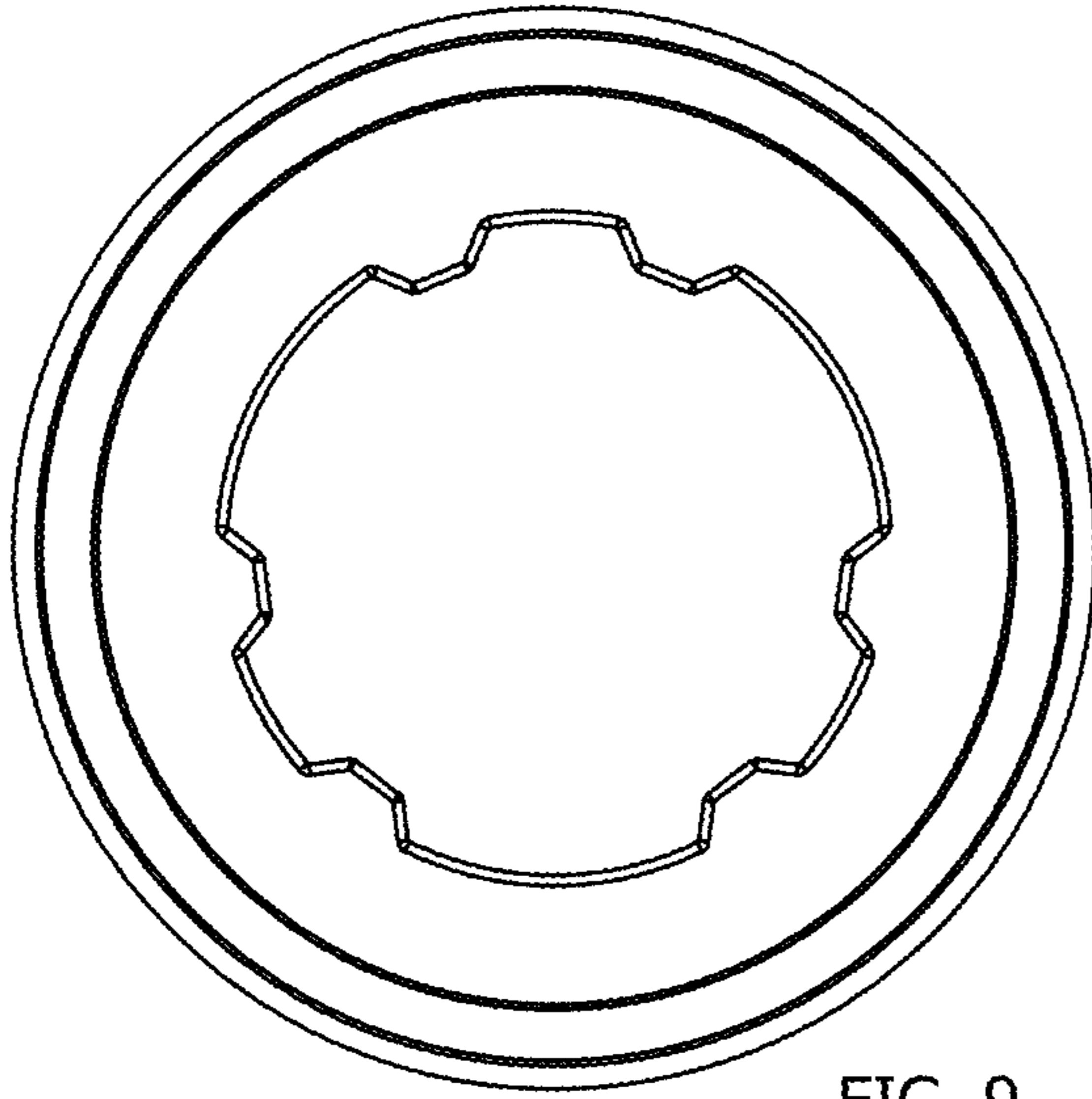


FIG. 9

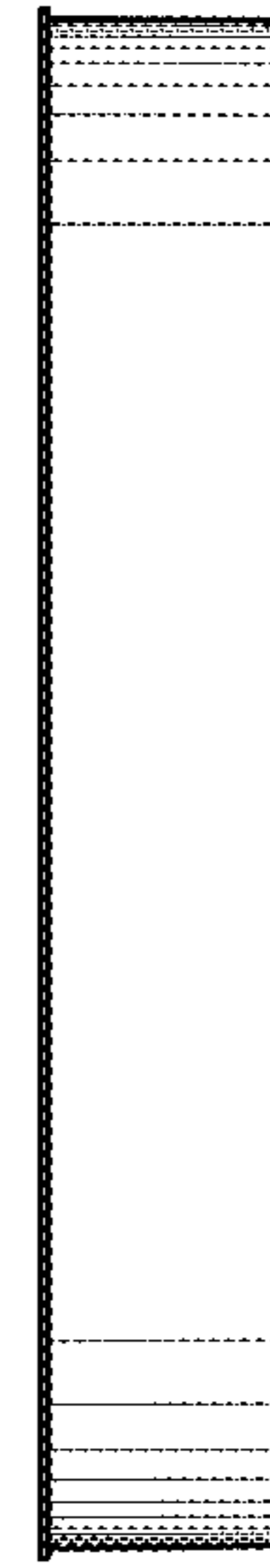


FIG. 10

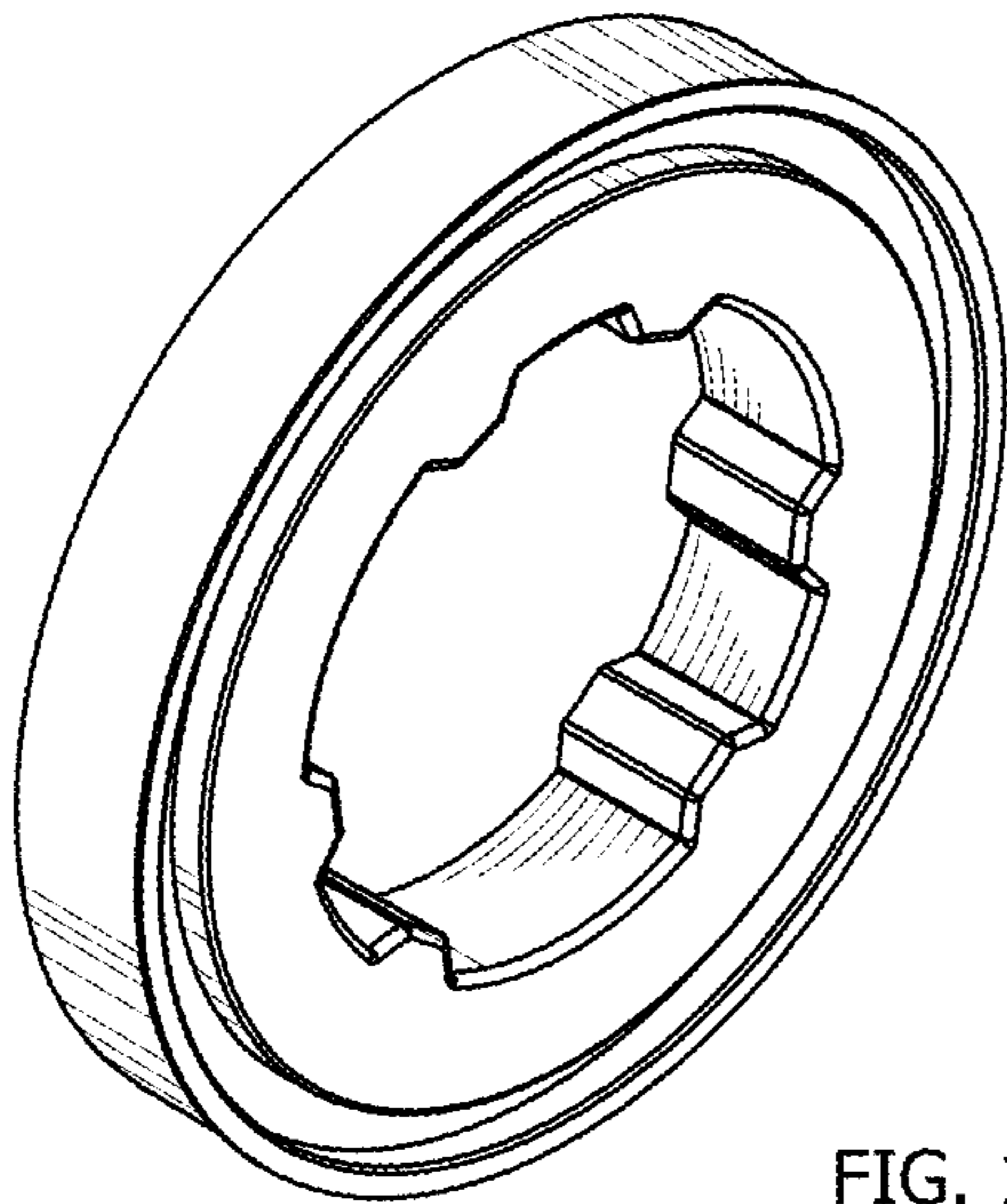


FIG. 11

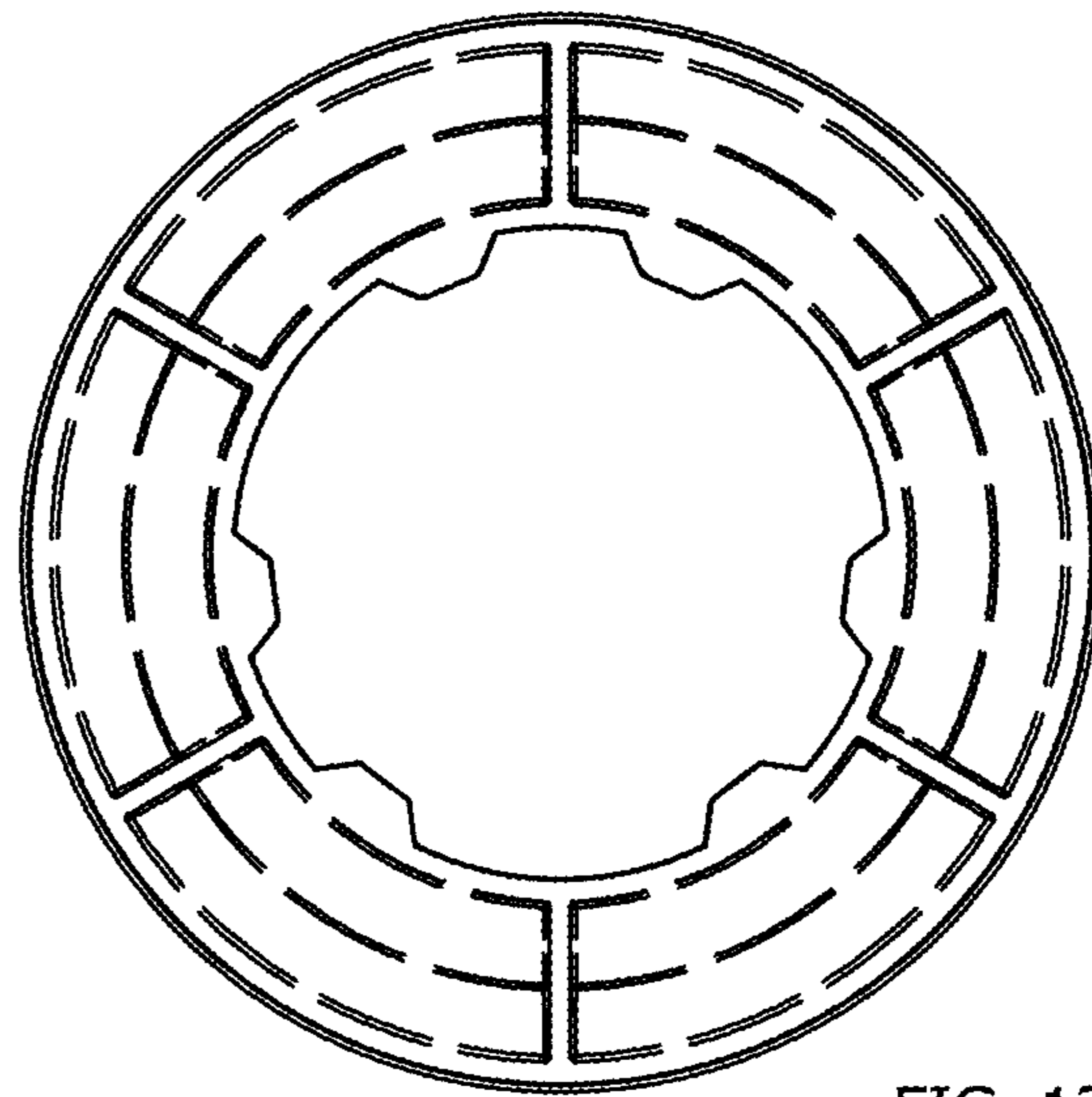


FIG. 12