



US00D880264S

(12) **United States Design Patent**  
**Lai**

(10) **Patent No.:** **US D880,264 S**

(45) **Date of Patent:** **\*\* Apr. 7, 2020**

(54) **RATCHET TOOL**

(71) Applicant: **Shih-Hao Lai**, Taichung (TW)

(72) Inventor: **Shih-Hao Lai**, Taichung (TW)

(\*\*) Term: **15 Years**

(21) Appl. No.: **29/671,678**

(22) Filed: **Nov. 29, 2018**

(51) **LOC (12) Cl.** ..... **08-05**

(52) **U.S. Cl.**  
USPC ..... **D8/25**

(58) **Field of Classification Search**  
USPC ..... 81/58, 58.1, 59.1, 60, 61, 62, 63, 63.1,  
81/63.2, 121.1, 125, 177.1, 177.2, 177.85,  
81/180.1, 489; D8/25  
CPC ..... B25B 13/00; B25B 13/48; B25B 23/02;  
B25B 23/10; B25G 1/10; B25G 1/00  
See application file for complete search history.

(56) **References Cited**

**U.S. PATENT DOCUMENTS**

D520,823 S \* 5/2006 Chen ..... D8/25  
D689,752 S \* 9/2013 Alho ..... D8/25  
D718,586 S \* 12/2014 Jiang ..... D8/25

D771,453 S \* 11/2016 Liu ..... D8/25  
D777,001 S \* 1/2017 Huang ..... D8/25  
D817,732 S \* 5/2018 Rettler ..... D8/25

\* cited by examiner

*Primary Examiner* — Randall H Gholson

(74) *Attorney, Agent, or Firm* — Alan D. Kamrath; Mayer & Williams PC

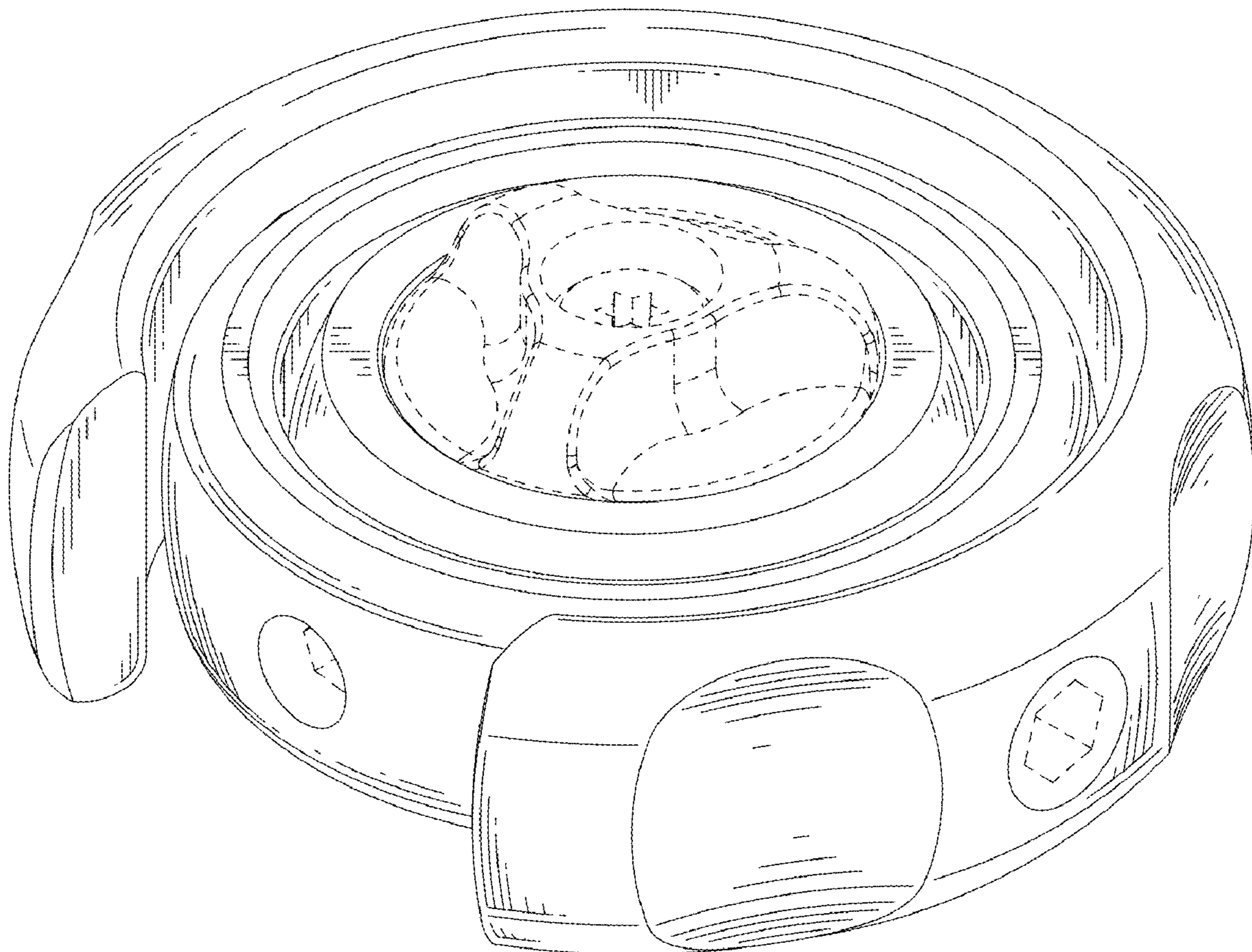
(57) **CLAIM**

The ornamental design for a ratchet tool, as shown and described.

**DESCRIPTION**

FIG. 1 is a perspective view of a ratchet tool showing my new design;  
FIG. 2 is a front view thereof;  
FIG. 3 is a rear view thereof;  
FIG. 4 is a left view thereof;  
FIG. 5 is a right view thereof;  
FIG. 6 is a top view thereof;  
FIG. 7 is a bottom view thereof; and,  
FIG. 8 is another perspective view thereof showing a using condition of the ratchet tool.  
The broken lines depict portions of the ratchet tool in which the design is embodied that are not considered part of the claimed design.

**1 Claim, 8 Drawing Sheets**



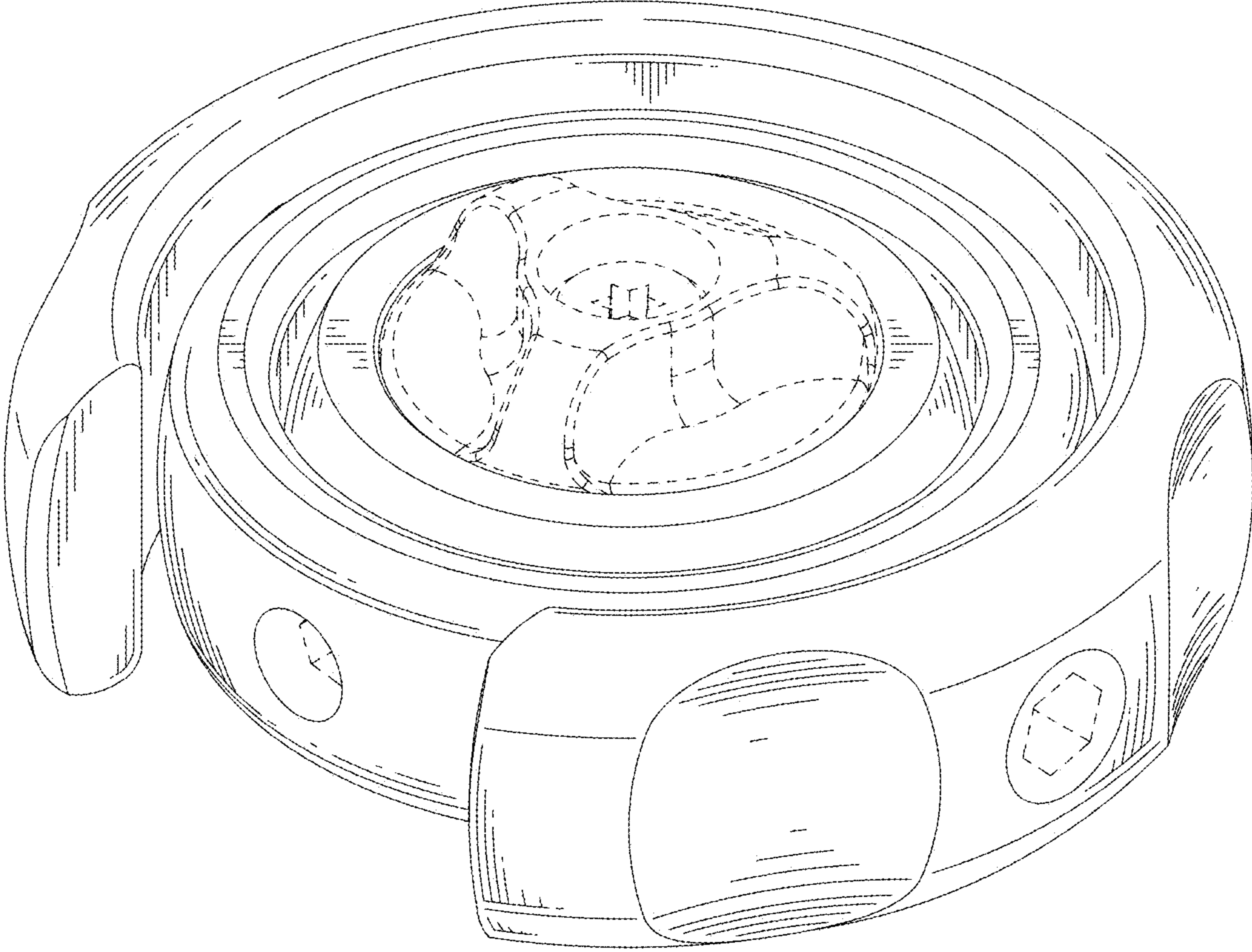


FIG. 1

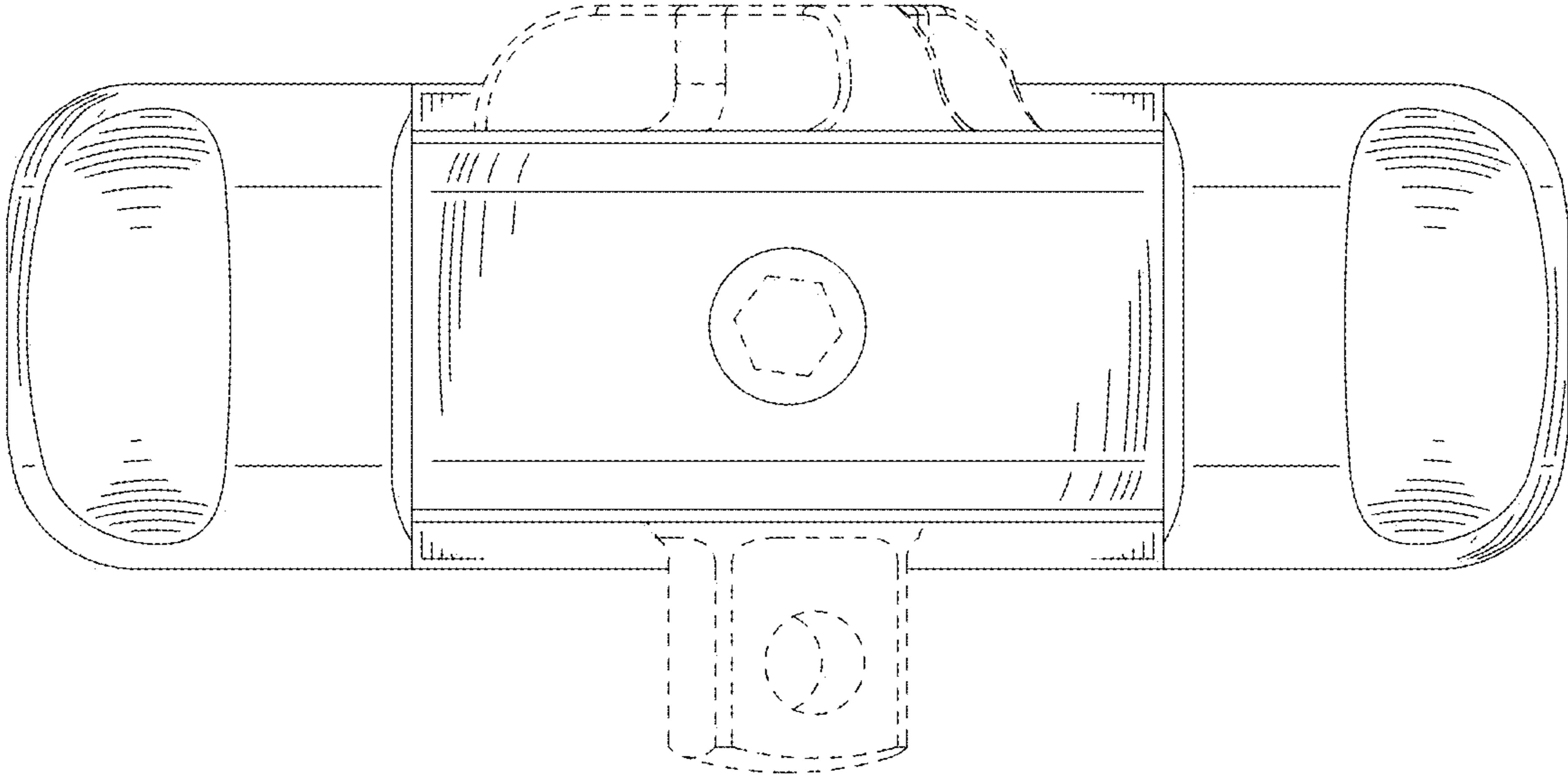


FIG. 2

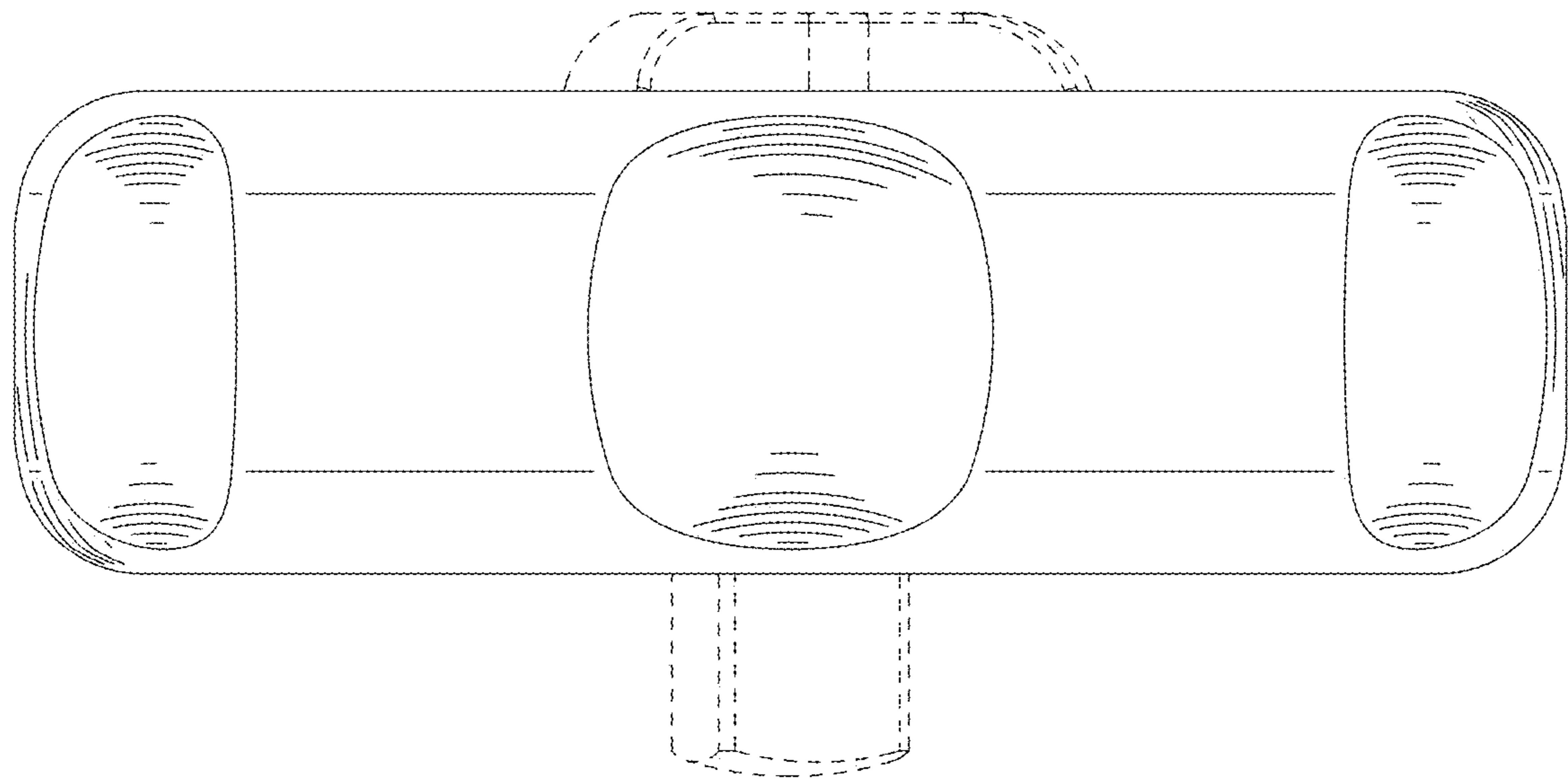


FIG. 3

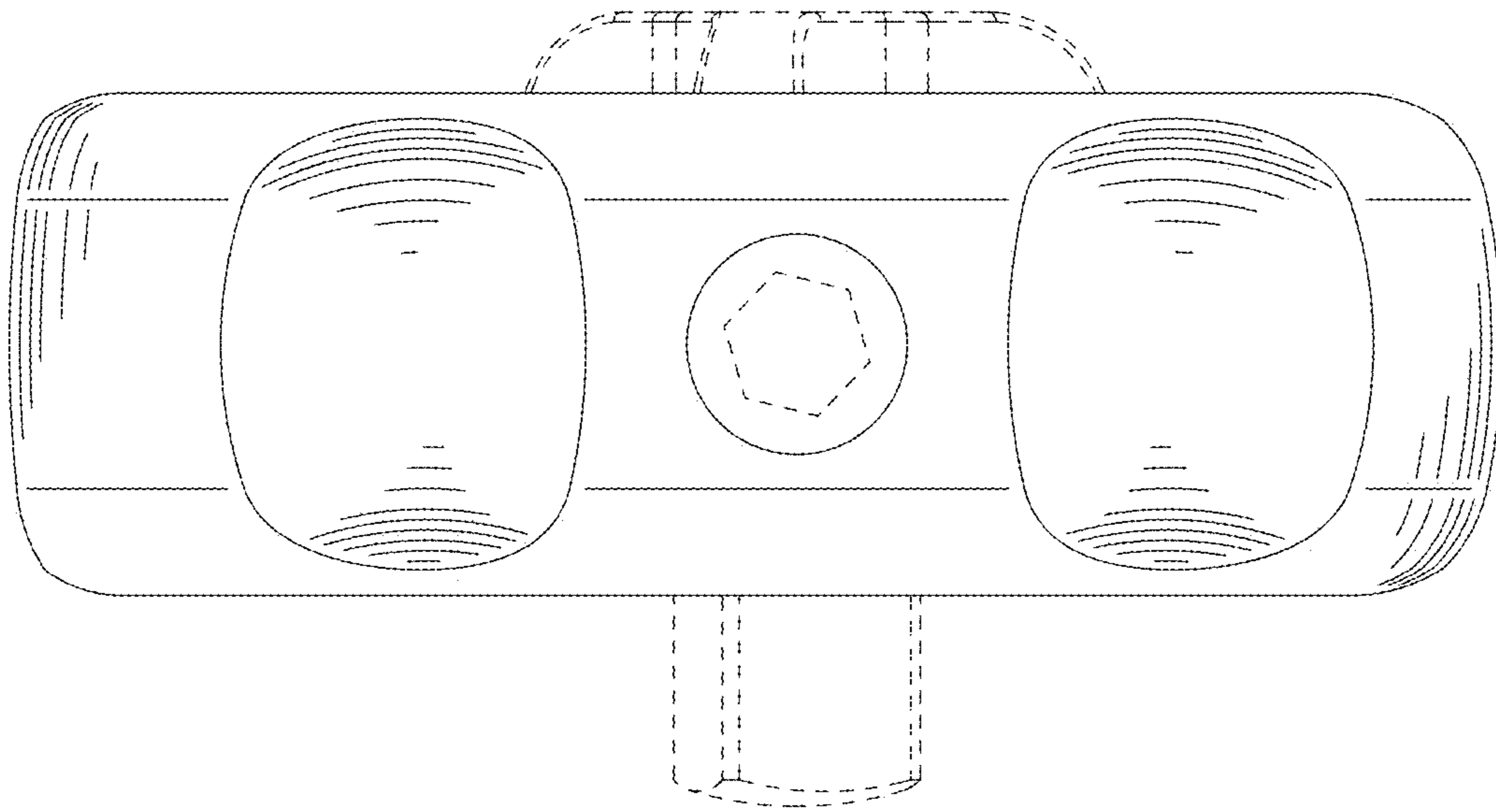


FIG. 4

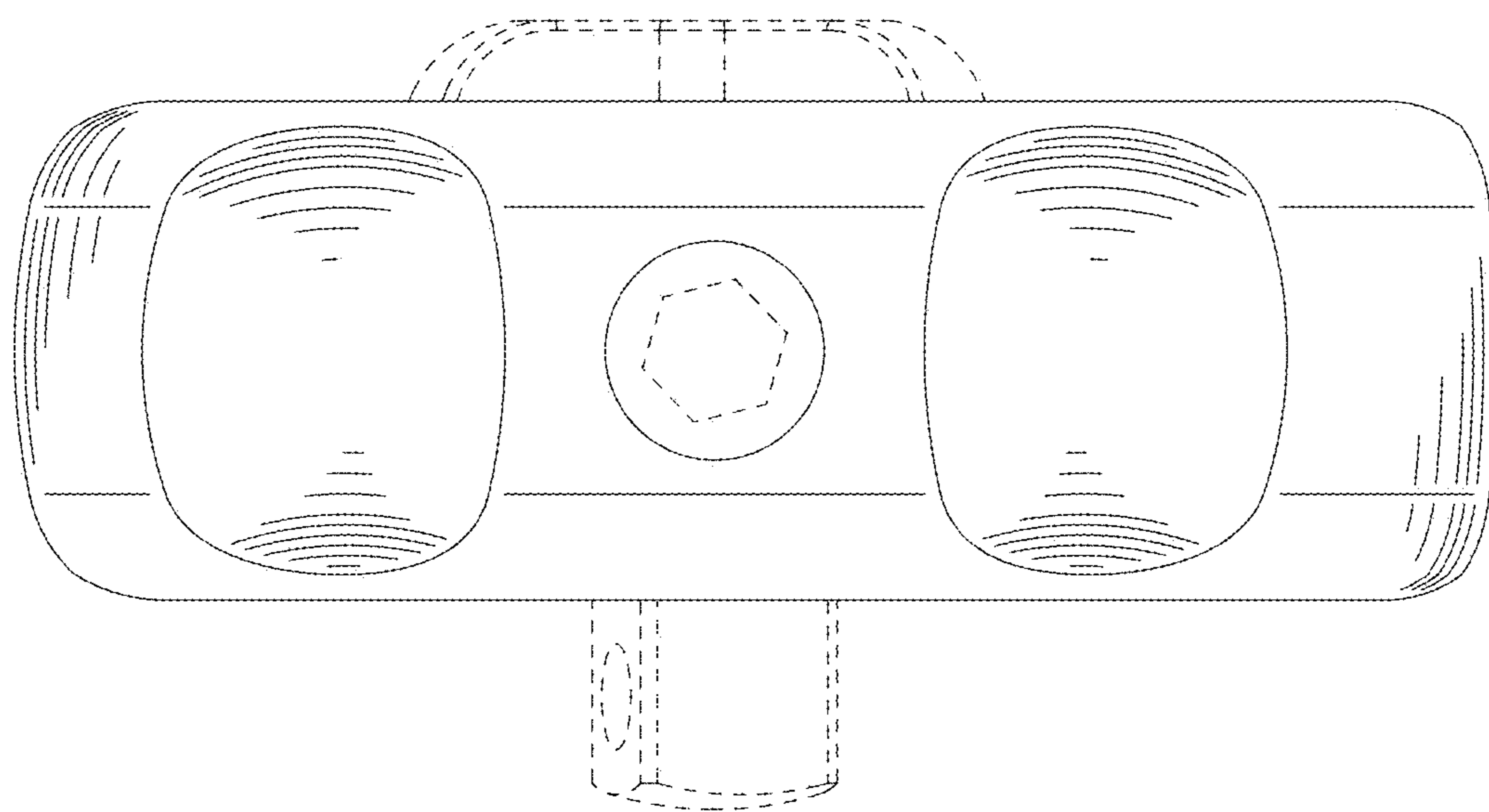


FIG. 5

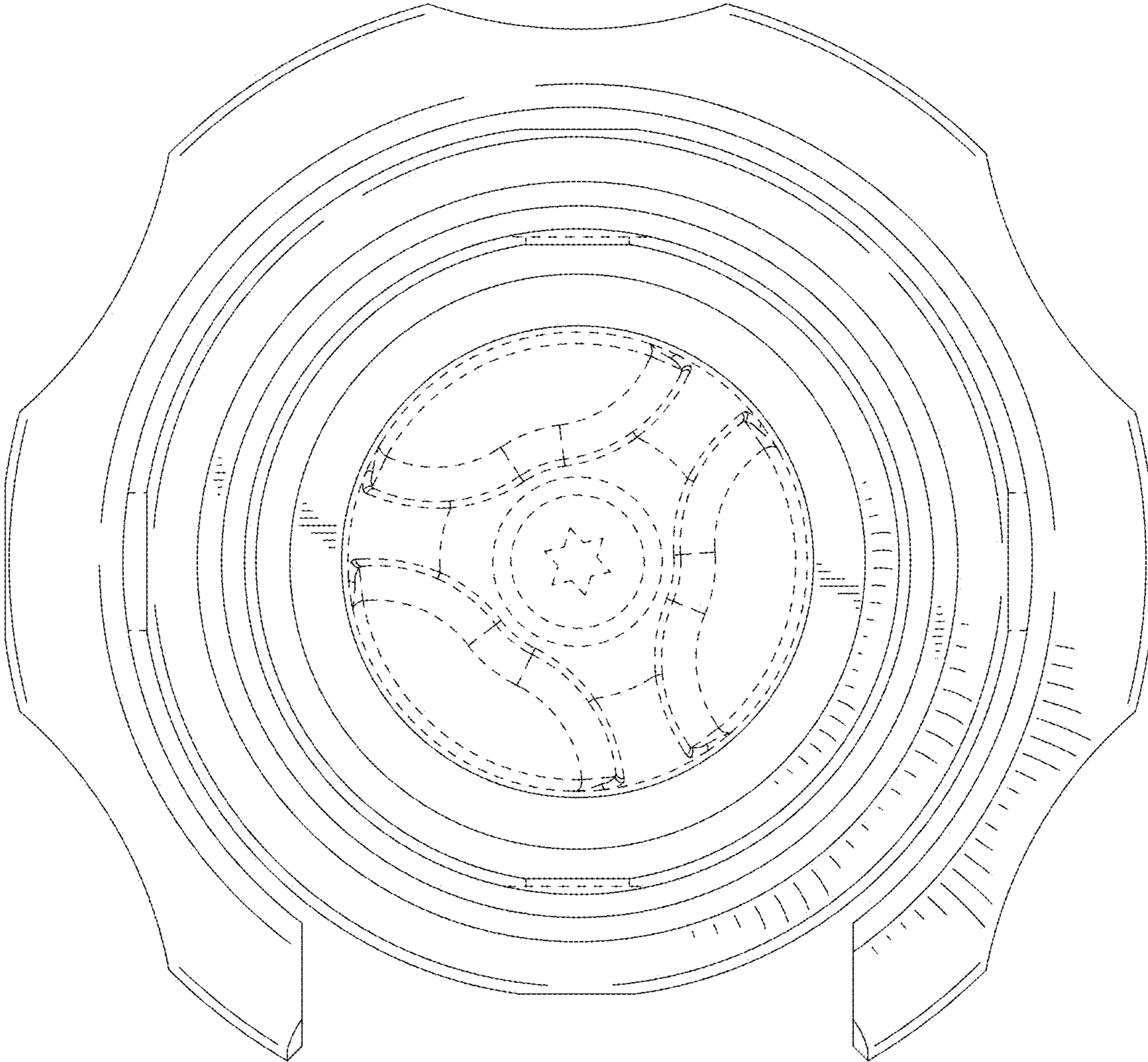


FIG. 6

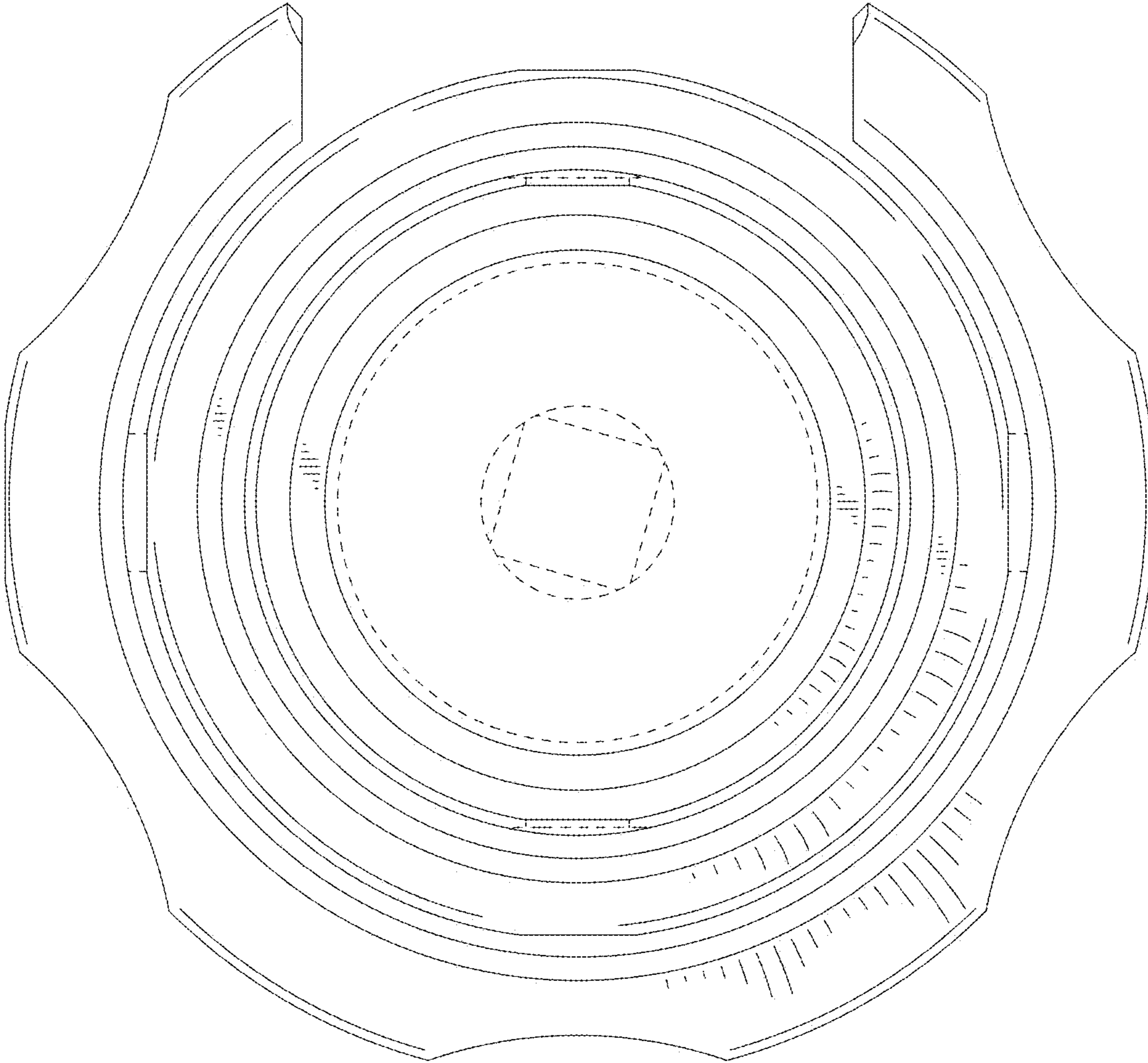


FIG. 7



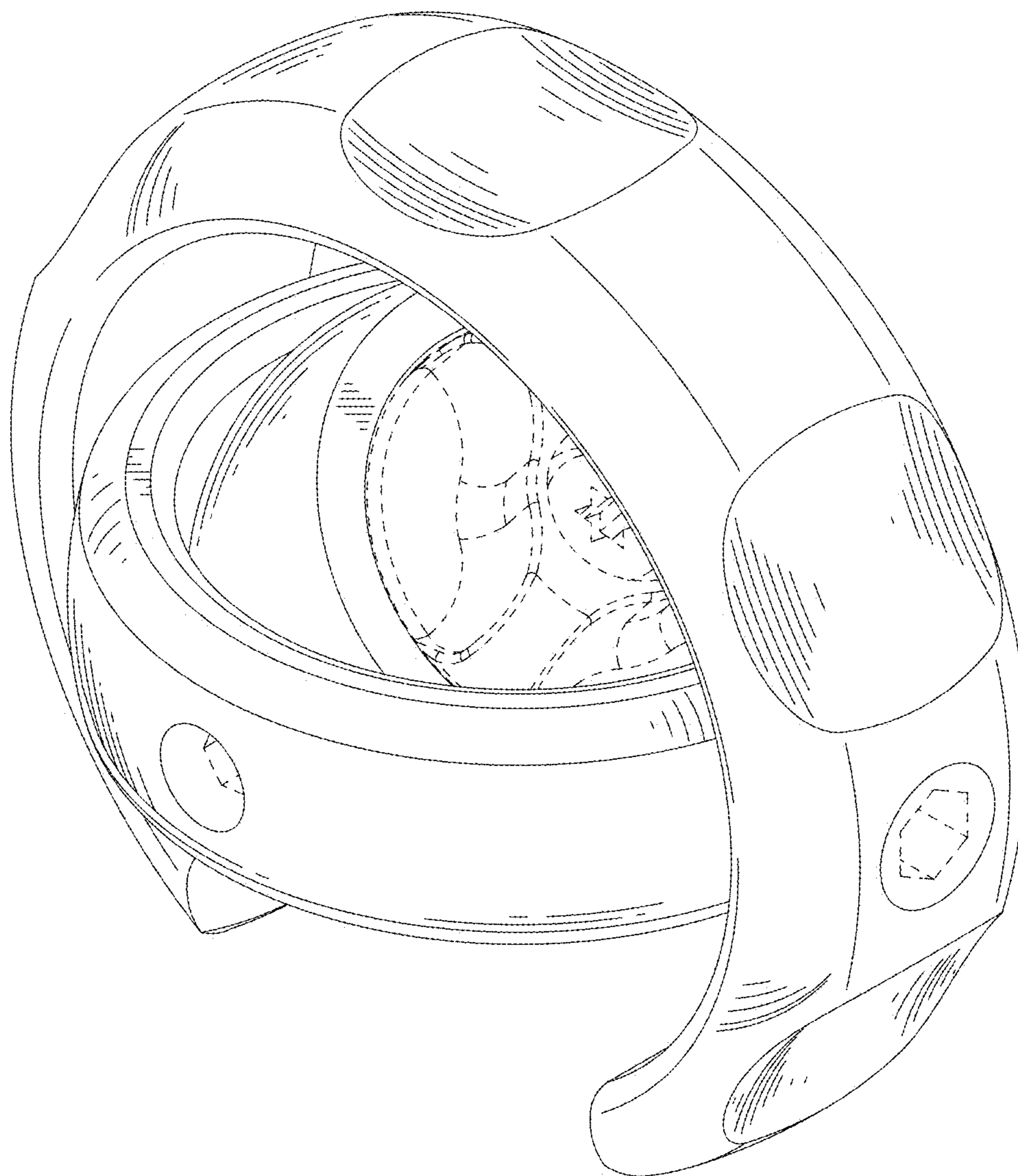


FIG. 8