



US00D880263S

(12) **United States Design Patent** (10) **Patent No.:** **US D880,263 S**
Pottorff (45) **Date of Patent:** **** Apr. 7, 2020**

(54) **BED SHEET TUCKING FACILITATION DEVICE**

(71) Applicant: **Timothy A. Pottorff**, West Dundee, IL (US)

(72) Inventor: **Timothy A. Pottorff**, West Dundee, IL (US)

(**) Term: **15 Years**

(21) Appl. No.: **29/663,618**

(22) Filed: **Sep. 17, 2018**

(51) **LOC (12) Cl.** **08-05**

(52) **U.S. Cl.**
USPC **D8/14**

(58) **Field of Classification Search**
USPC D8/14, 16, 19, 45; D7/688; D32/46
CPC B68G 15/00; Y10T 24/23; A47C 21/028
See application file for complete search history.

(56) **References Cited**

U.S. PATENT DOCUMENTS

- 2,774,178 A * 12/1956 Nelson B68G 15/00
81/488
- 3,408,677 A * 11/1968 Yates A47L 1/16
15/236.02
- D246,345 S * 11/1977 Poncia D8/14
- D268,073 S * 3/1983 Schaeffer D8/14
- D268,804 S * 5/1983 Bacon D8/14
- D275,540 S * 9/1984 Barkow 294/219
- 4,520,518 A * 6/1985 Reaser A47C 21/022
24/72.5

- 4,745,650 A * 5/1988 Elliott A47C 21/00
5/669
- D308,080 S * 5/1990 Sachs D20/22
- D339,047 S * 9/1993 Henderson D8/19
- D362,376 S * 9/1995 Oaks D8/14
- D493,078 S * 7/2004 McGee D8/14
- D743,761 S * 11/2015 Dioguardi D8/19

* cited by examiner

Primary Examiner — Philip S Hyder
(74) *Attorney, Agent, or Firm* — Quickpatents, LLC;
Kevin Prince

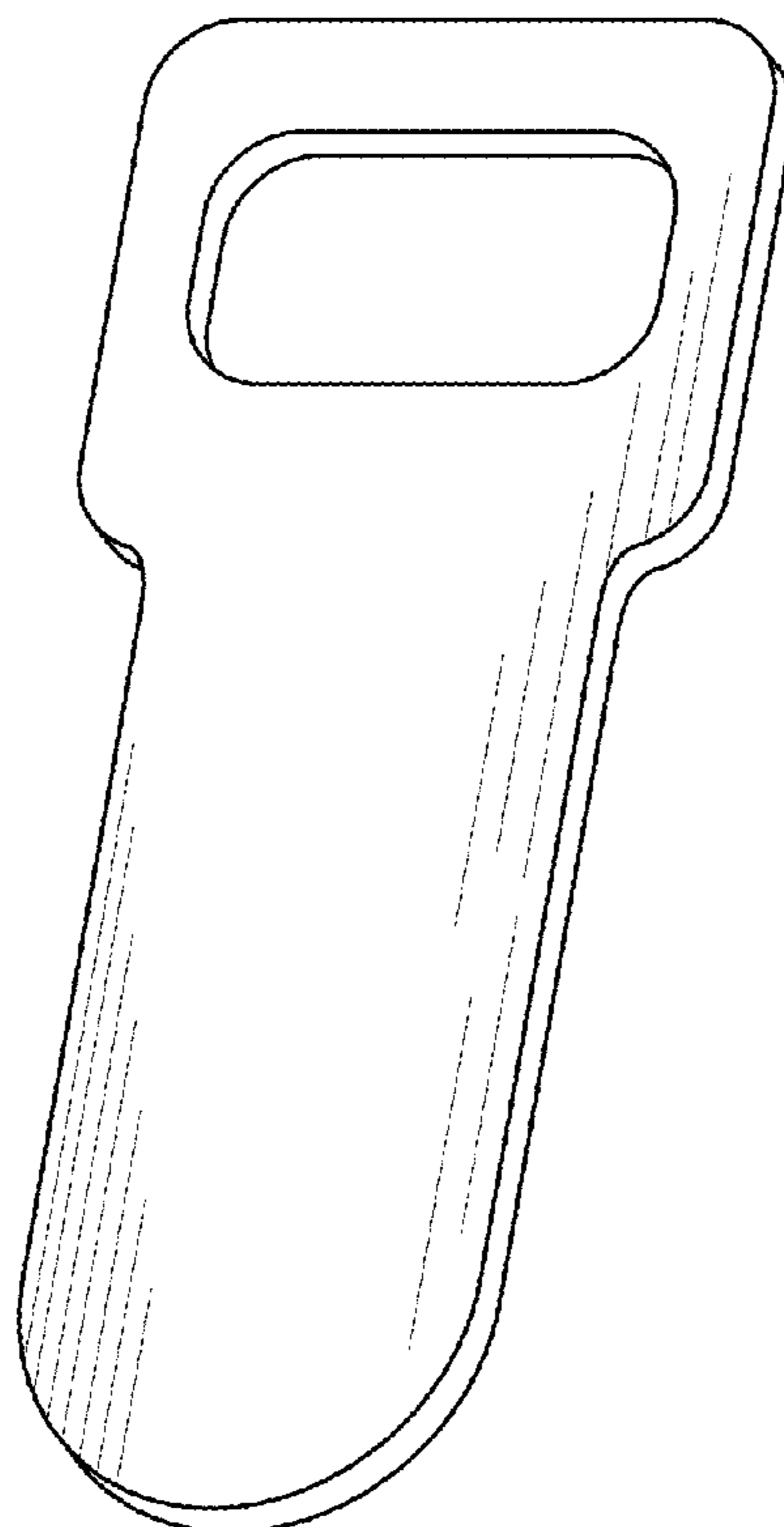
(57) **CLAIM**

I claim the ornamental design for a bed sheet tucking facilitation device, as shown and described.

DESCRIPTION

FIG. 1 is a rear perspective view of a bed sheet tucking facilitation device, showing my new design;
FIG. 2 is a front perspective view thereof;
FIG. 3 is a front elevational view thereof;
FIG. 4 is a rear elevational view thereof;
FIG. 5 is a top plan view thereof, the bottom plan view being a mirror image thereof; and,
FIG. 6 is a left-side elevational view thereof, the right-side elevational view being a mirror image thereof.
The broken lines showing a person and bed sheets in FIG. 1 depict environmental matter and form no part of the claimed design.

1 Claim, 3 Drawing Sheets



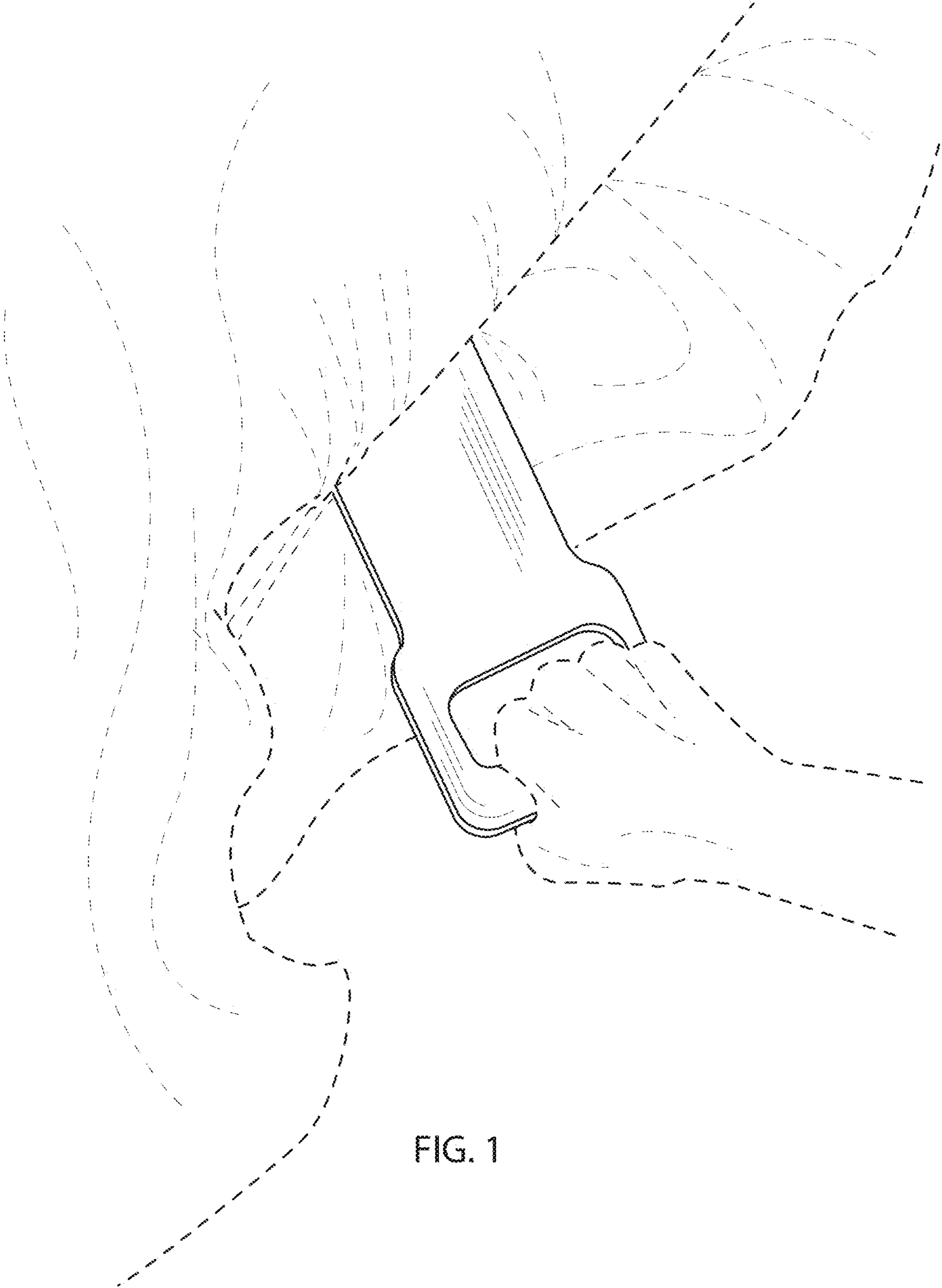


FIG. 1

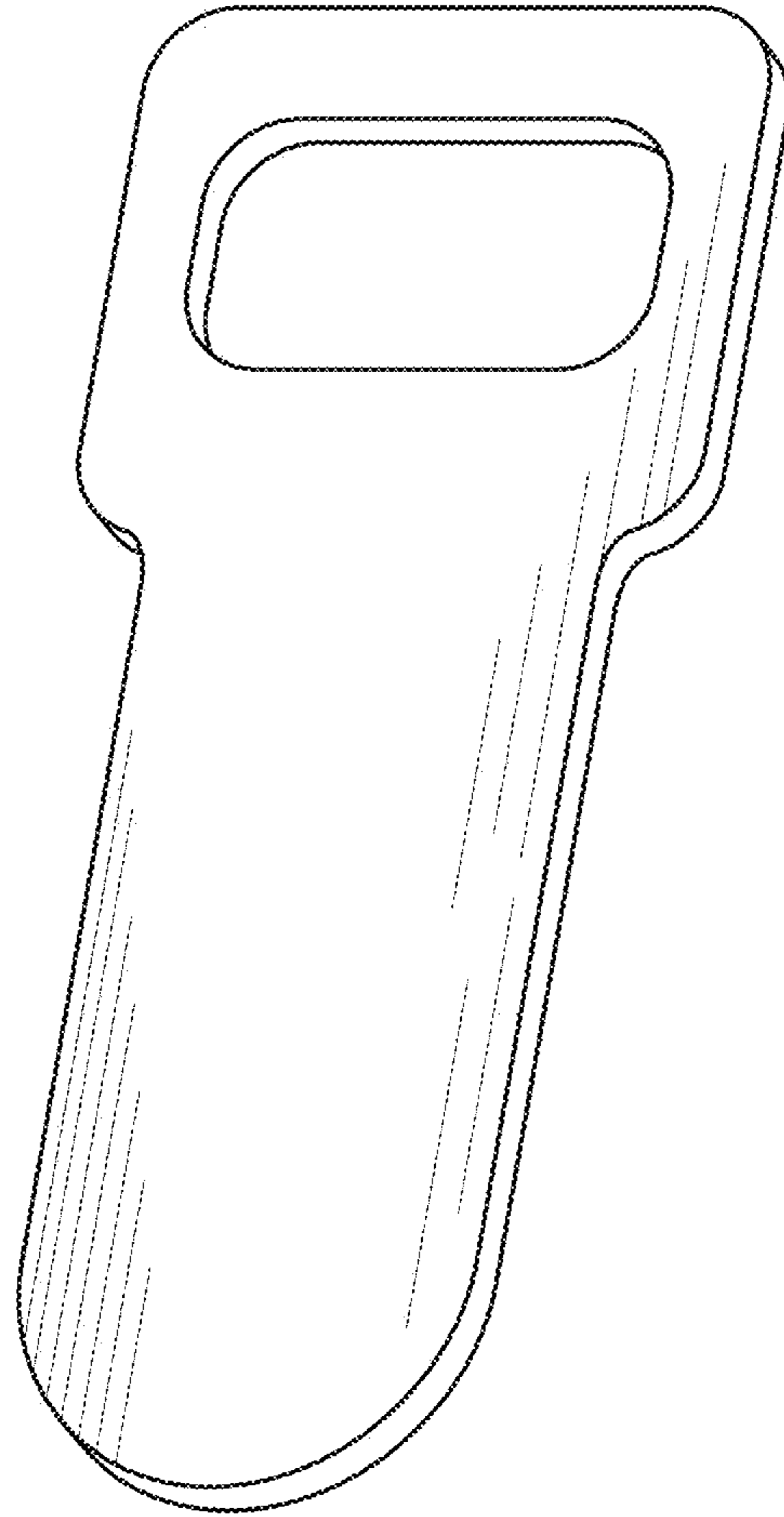


FIG. 2



FIG. 3



FIG. 4

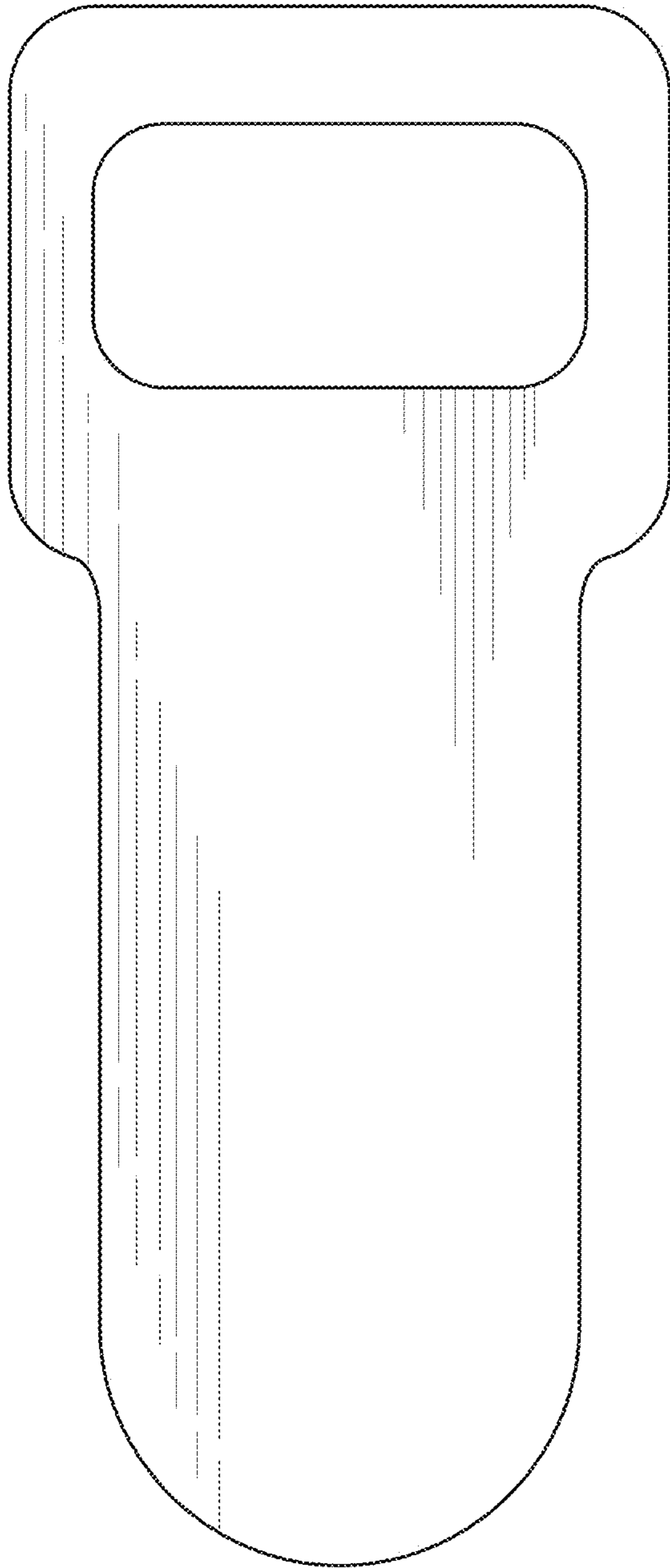


FIG. 5



FIG. 6