



US00D880262S

(12) **United States Design Patent** (10) **Patent No.:** **US D880,262 S**  
**Sims Sr.** (45) **Date of Patent:** **\*\* Apr. 7, 2020**

(54) **BLOWER SERVICING TOOL**

(71) Applicant: **Mark A Sims Sr.**, North Royalton, OH (US)  
(72) Inventor: **Mark A Sims Sr.**, North Royalton, OH (US)

(\*\*) Term: **15 Years**

(21) Appl. No.: **29/651,394**

(22) Filed: **Jul. 12, 2018**

(51) **LOC (12) Cl.** ..... **08-05**

(52) **U.S. Cl.**  
USPC ..... **D8/14**

(58) **Field of Classification Search**  
USPC ..... D8/14, 21, 105, 107, 45, 86, 349, 354;  
D25/126  
CPC ..... B25B 15/008; B25B 13/06; B25B 13/08;  
B25B 13/56  
See application file for complete search history.

(56) **References Cited**

**U.S. PATENT DOCUMENTS**

3,113,479	A *	12/1963	Swingle	.....	B25B 23/16
					81/177.2
3,408,924	A *	11/1968	Mueller	.....	B21D 37/04
					100/35
D222,425	S *	10/1971	Palfi	.....	D8/29
D224,080	S	7/1972	Lawson	.....	D8/14
3,692,268	A *	9/1972	Laughlin	.....	G01M 11/04
					248/346.06
3,850,056	A *	11/1974	Allen	.....	B25B 15/008
					81/438
D248,082	S *	6/1978	Venable, Jr.	.....	D8/29
D248,536	S *	7/1978	Domasin	.....	D8/21
D329,969	S	10/1992	Kemp	.....	D8/14
D341,763	S *	11/1993	Espin	.....	D8/86
5,285,543	A *	2/1994	Rowe	.....	B25B 13/06
					7/138
D364,542	S	11/1995	Pollard	.....	D8/14

(Continued)

**OTHER PUBLICATIONS**

Sunlite Spoke Wrench, Found on Amazon.com, reviews from 2012 and 2014, examiner aware of product for decades.\*

*Primary Examiner* — Philip S Hyder  
(74) *Attorney, Agent, or Firm* — David A. Burge

(57) **CLAIM**

I claim the ornamental design for a blower servicing tool, as shown and described.

**DESCRIPTION**

FIG. 1 is a top, front perspective view showing my new design, with the view showing an elongate up-standing portion of the tool that has a hexagonal cross-section, and an elongate transversely extending handle portion of the tool that has a cylindrical cross-section;

FIG. 2 is a bottom, rear perspective view similar to FIG. 1;

FIG. 3 is a front elevational view, it being understood that a rear elevational view is identical hereto;

FIG. 4 is a right side elevational view, it being understood that a left side elevational view is identical hereto;

FIG. 5 is a top plan view thereof; and,

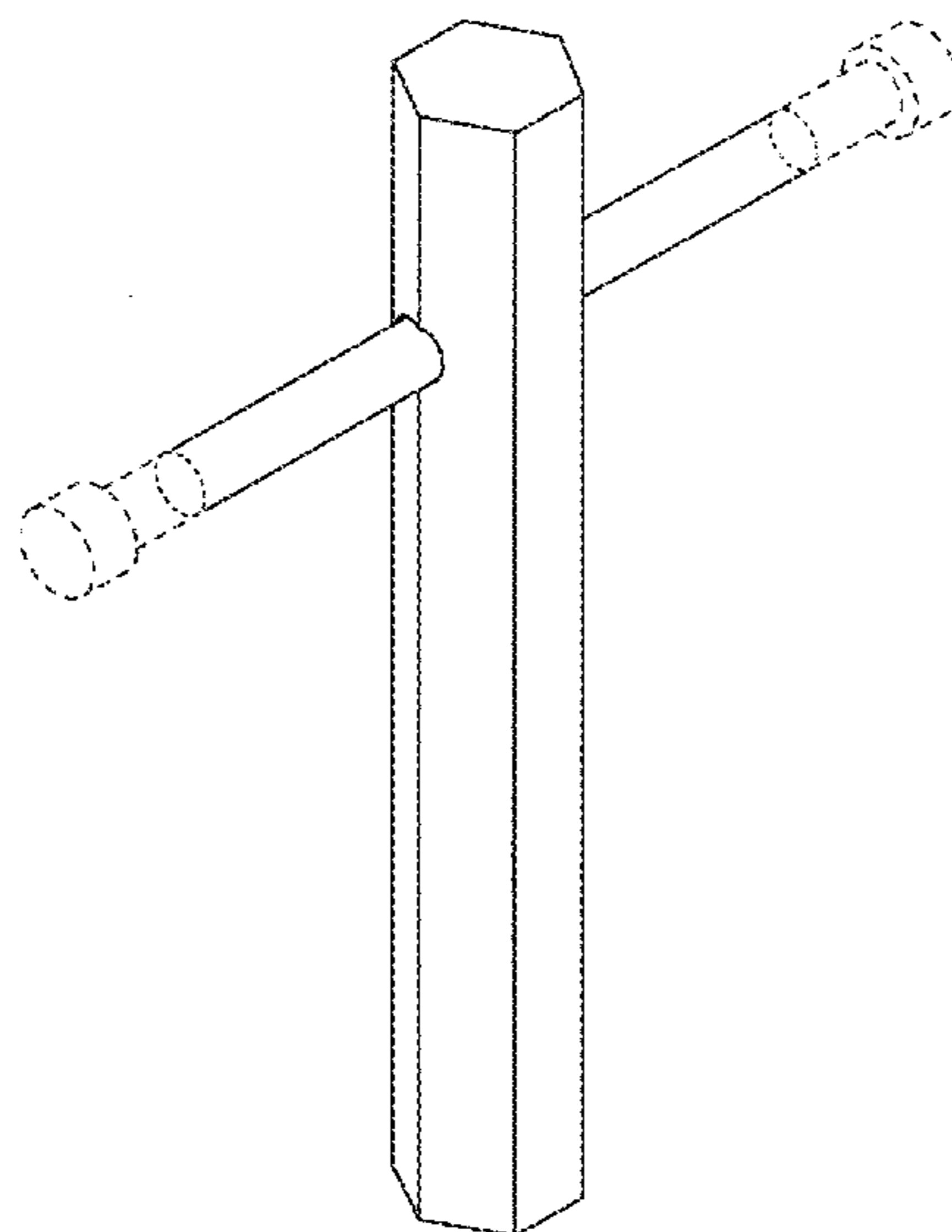
FIG. 6 is a bottom plan view.

In the drawings, broken lines comprised of distinctively relatively shorter dash marks indicate planes beyond which the claimed design does not extend.

In the drawings, broken lines comprised of distinctively relatively longer dash marks depict environmental subject matter that forms no part, portion, element or component of the claimed design.

In each of FIGS. 2 and 6, a broken-line circle located in a central region of a bottom surface of the blower servicing tool depicts an unclaimed boundary of an opening.

**1 Claim, 2 Drawing Sheets**



(56)

**References Cited**

U.S. PATENT DOCUMENTS

5,588,169 A \* 12/1996 Chuang ..... B25B 13/56  
 7/138  
 D409,060 S 5/1999 Lucy ..... D8/24  
 D417,383 S 12/1999 Gutierrez ..... D8/107  
 6,336,385 B1 \* 1/2002 Wang ..... B25B 13/56  
 81/177.4  
 7,207,247 B1 \* 4/2007 Kirby ..... B25B 13/08  
 7/143  
 D547,624 S 7/2007 Strahorn ..... D8/21  
 D547,625 S 7/2007 Decuir ..... D8/27  
 D555,445 S 11/2007 Strahorn ..... D8/21  
 D586,634 S 2/2009 Lai ..... D8/21  
 D596,471 S 7/2009 Huang ..... D8/21  
 7,603,931 B1 10/2009 Powell ..... 81/439  
 D613,139 S 4/2010 Lai ..... D8/21  
 D625,977 S 10/2010 Watson et al. .... D8/51  
 D639,646 S 6/2011 Finley, Jr. .... D8/387  
 8,037,587 B1 \* 10/2011 Lott ..... B25B 27/02  
 29/255  
 D661,561 S \* 6/2012 Stinson ..... D8/26  
 D715,611 S 10/2014 Stamm et al. .... D8/24  
 D721,933 S 2/2015 Azevedo ..... D8/14  
 D747,944 S 1/2016 Stamm et al. .... D8/81  
 2003/0079574 A1 \* 5/2003 Llamas ..... B25B 13/02  
 81/176.15  
 2003/0136234 A1 \* 7/2003 Cunningham ..... B25B 15/008  
 81/177.4

\* cited by examiner

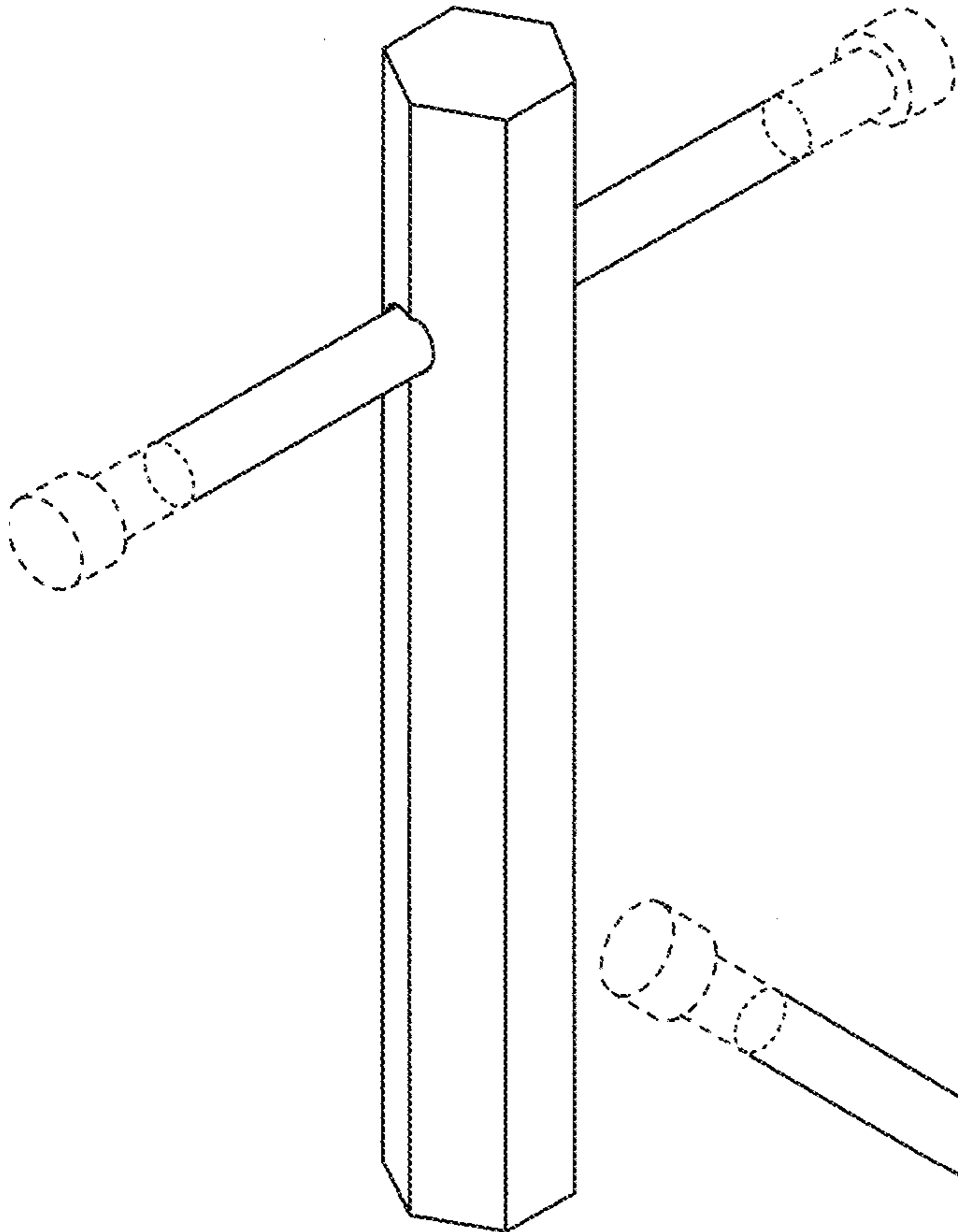


FIG. 1

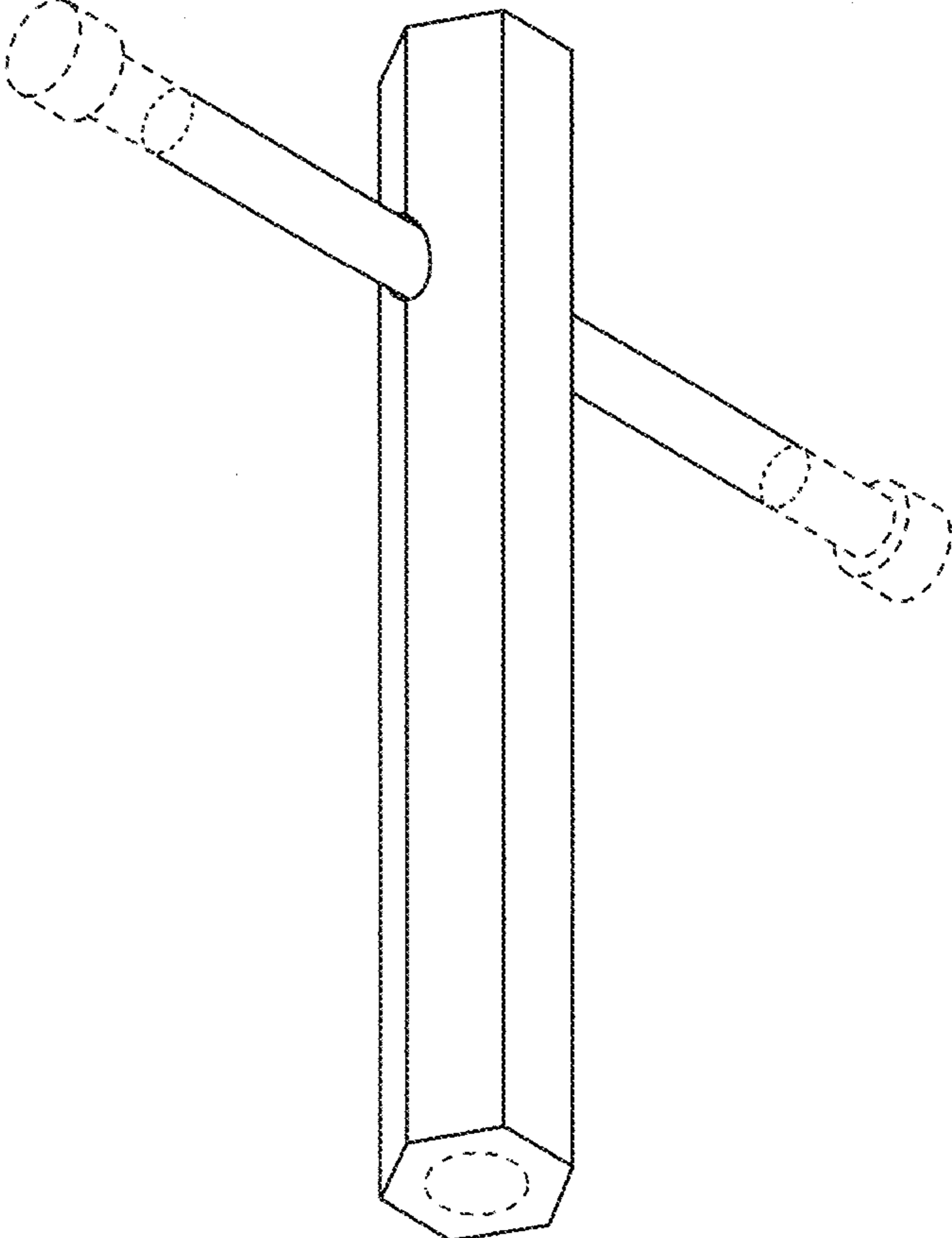


FIG. 2

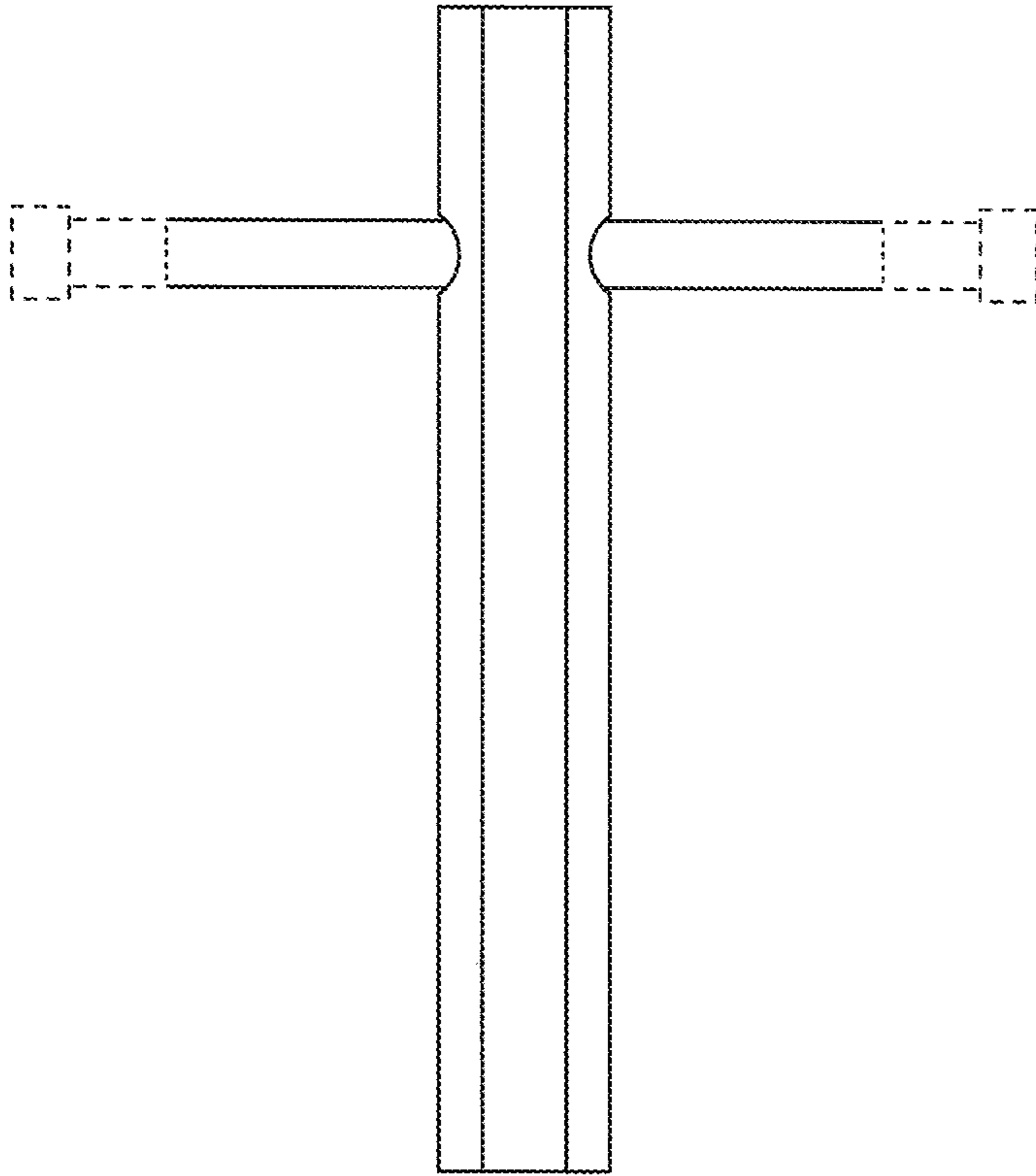


FIG. 3

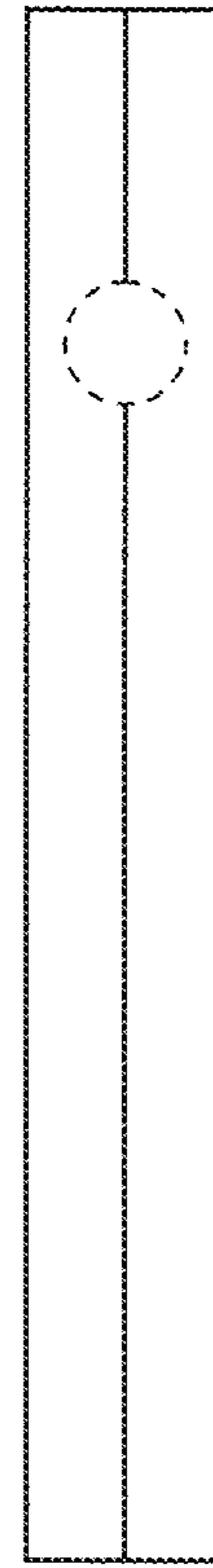


FIG. 4

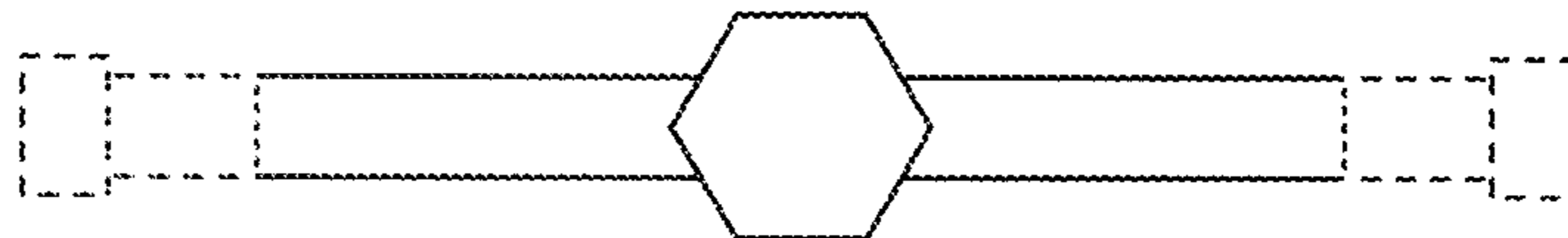


FIG. 5



FIG. 6