



US00D880260S

(12) **United States Design Patent**
Hamilton

(10) **Patent No.:** **US D880,260 S**
(45) **Date of Patent:** **** Apr. 7, 2020**

(54) **COOLER DIVIDER AND CUTTING BOARD**

(71) Applicant: **William Hamilton**, Brentwood, TN
(US)

(72) Inventor: **William Hamilton**, Brentwood, TN
(US)

(**) Term: **15 Years**

(21) Appl. No.: **29/685,653**

(22) Filed: **Mar. 29, 2019**

(51) **LOC (12) Cl.** **07-04**

(52) **U.S. Cl.**
USPC **D7/698**

(58) **Field of Classification Search**
USPC D7/354, 388, 543, 549, 550.1, 586,
D7/698-699; D20/27; D32/55-57
CPC A47J 47/00; A47J 47/005; A47J 47/20;
B26D 7/0006; B26D 7/018; B26D 7/20;
B23D 21/00; B23K 37/04; B23K 37/053;
B23Q 16/001; B24D 15/084
See application file for complete search history.

D373,054 S * 8/1996 Joergensen D7/698
D412,815 S * 8/1999 Porter D7/698
D441,261 S * 5/2001 Stein D7/698
6,789,792 B1 9/2004 Angland
D616,700 S * 6/2010 Pourounidis D7/388
8,342,915 B1 * 1/2013 Vogel B24D 15/084
269/289 R

D678,010 S 3/2013 Sudmalis
D701,095 S * 3/2014 Arvan D7/698
D723,882 S * 3/2015 Khuu D7/698
D732,876 S * 6/2015 Lagsdin D7/354
D738,695 S * 9/2015 Hsieh D7/698
D745,345 S * 12/2015 Joseph D7/698
D747,749 S 1/2016 Lee
D823,395 S * 7/2018 McWilliam D20/27

* cited by examiner

Primary Examiner — Ricky Pham

(74) *Attorney, Agent, or Firm* — www.FireCastle.Zone;
Ross Brandborg

(57) **CLAIM**

I claim the ornamental design of a cooler divider and cutting board, as shown and described.

DESCRIPTION

FIG. 1 shows a perspective top view thereof.
FIG. 2 shows a perspective top/side view thereof; and,
FIG. 3 shows a perspective bottom view thereof.

1 Claim, 3 Drawing Sheets

(56) **References Cited**

U.S. PATENT DOCUMENTS

4,907,789 A * 3/1990 Tice A47J 47/005
269/13
5,386,978 A * 2/1995 Ladwig A47J 47/005
269/289 R

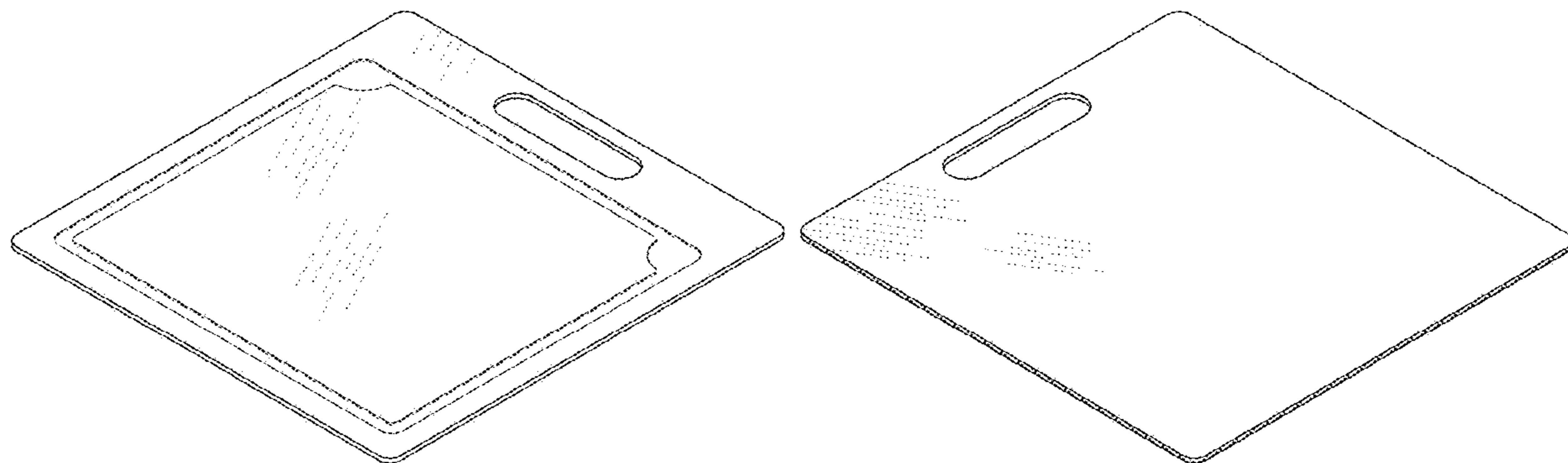


FIG.1

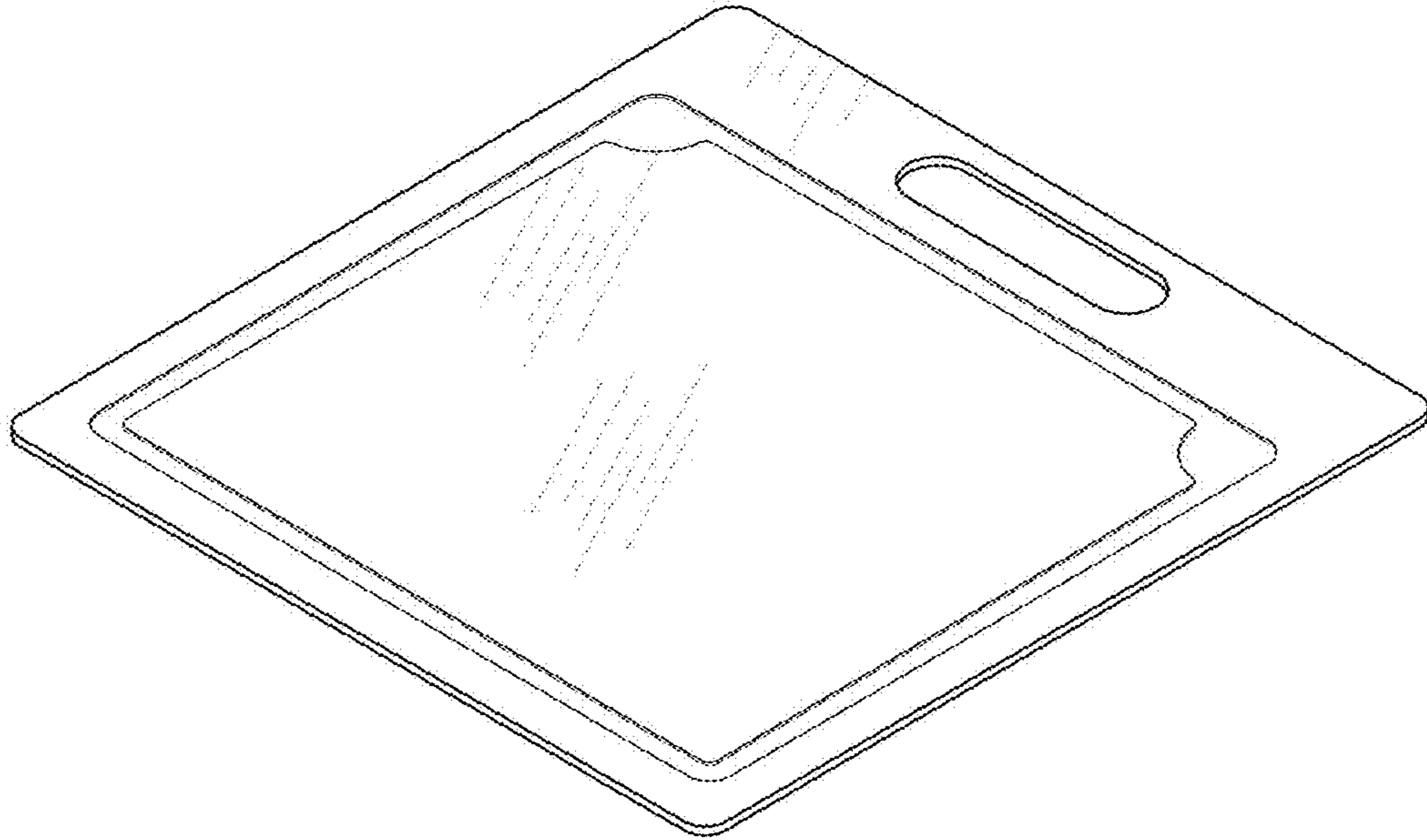


FIG.2

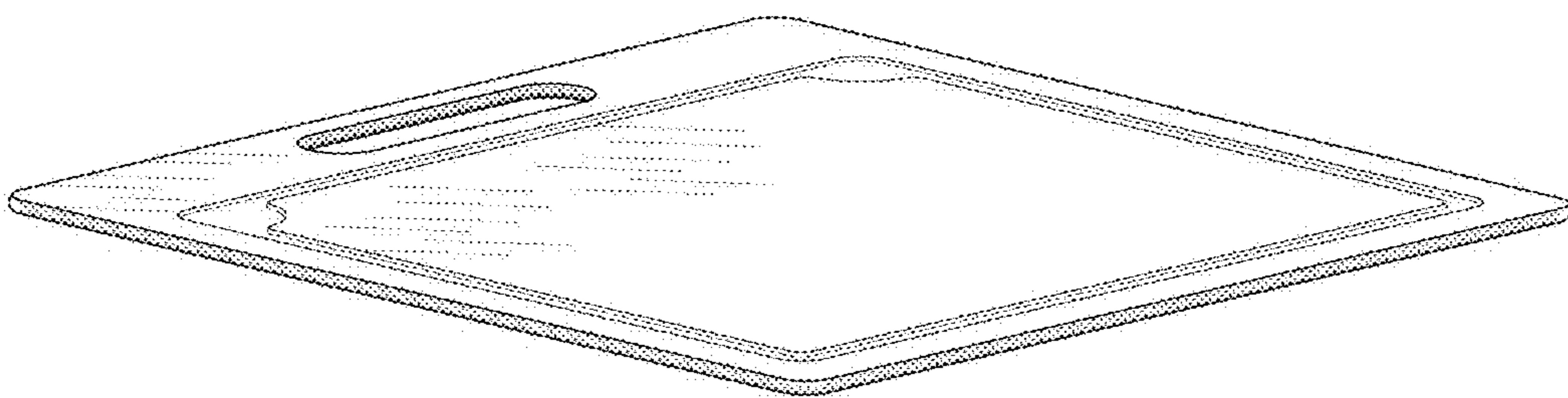


FIG.3

