



US00D880258S

(12) **United States Design Patent** (10) **Patent No.:** **US D880,258 S**
Matsumoto et al. (45) **Date of Patent:** **** Apr. 7, 2020**

(54) **MULTI-PURPOSE SCOOP**

(71) Applicants: **Tamotsu Matsumoto**, Chiba (JP);
Makiko Kida, Ichikawa (JP); **Taiki Nosaka**, Funabashi (JP)

(72) Inventors: **Tamotsu Matsumoto**, Chiba (JP);
Makiko Kida, Ichikawa (JP); **Taiki Nosaka**, Funabashi (JP)

(73) Assignee: **Helen of Troy Limited**, St. Michael (BB)

(**) Term: **15 Years**

(21) Appl. No.: **29/630,093**

(22) Filed: **Dec. 19, 2017**

(51) **LOC (12) Cl.** **07-04**

(52) **U.S. Cl.**
USPC **D7/691**

(58) **Field of Classification Search**
USPC D7/691, 692, 401.2, 653-664; D10/46.2, D10/46.3
CPC A01D 9/02; A01D 9/04; A01D 9/06; A47F 13/08; A47G 21/00; A47G 21/004; A47G 21/21005; A47G 21/02; A47G 21/023; A47G 21/04; A47G 21/06; A47G 21/08; A47J 43/28; A47J 43/281; A47J 43/282; A61F 13/10; A61J 7/0023; B25G 1/00; B25G 1/01; B25G 1/02; B25G 3/00; B65D 75/56; B65D 75/563; B65D 75/566; B65D 51/246; B67B 7/00; B67B 7/724; B67B 7/73; G01F 19/00; G01F 19/002

See application file for complete search history.

(56) **References Cited**

U.S. PATENT DOCUMENTS

2,563,223 A *	8/1951	Dreher	A47F 13/08 294/180
D254,832 S *	4/1980	Zappa	D7/691
D387,958 S *	12/1997	Keller	D30/199
D422,462 S *	4/2000	Rivkin	D7/691

* cited by examiner

Primary Examiner — Terry A Wallace

(74) *Attorney, Agent, or Firm* — Rankin, Hill & Clark LLP

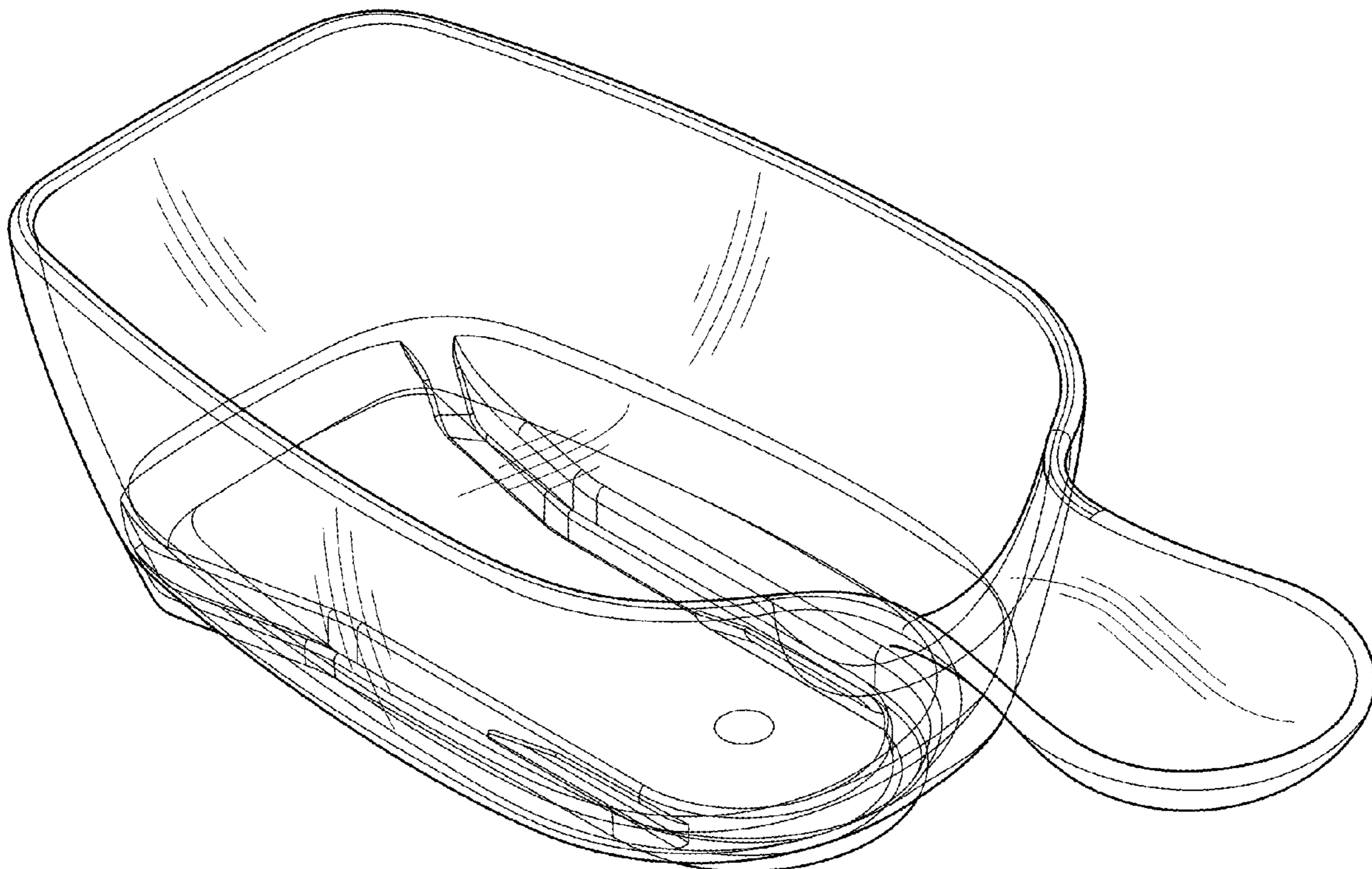
(57) **CLAIM**

The ornamental designs for a multi-purpose scoop, as shown, and described.

DESCRIPTION

FIG. 1 is a perspective view of a multi-purpose scoop; FIG. 2 is a right elevation view thereof (with the left a mirror image thereof); FIG. 3 is a top view thereof; FIG. 4 is a bottom view thereof; FIG. 5 is a front elevation view thereof; and, FIG. 6 is a rear elevation view thereof. The broken lines represents structure which form no part of the claimed design.

1 Claim, 6 Drawing Sheets



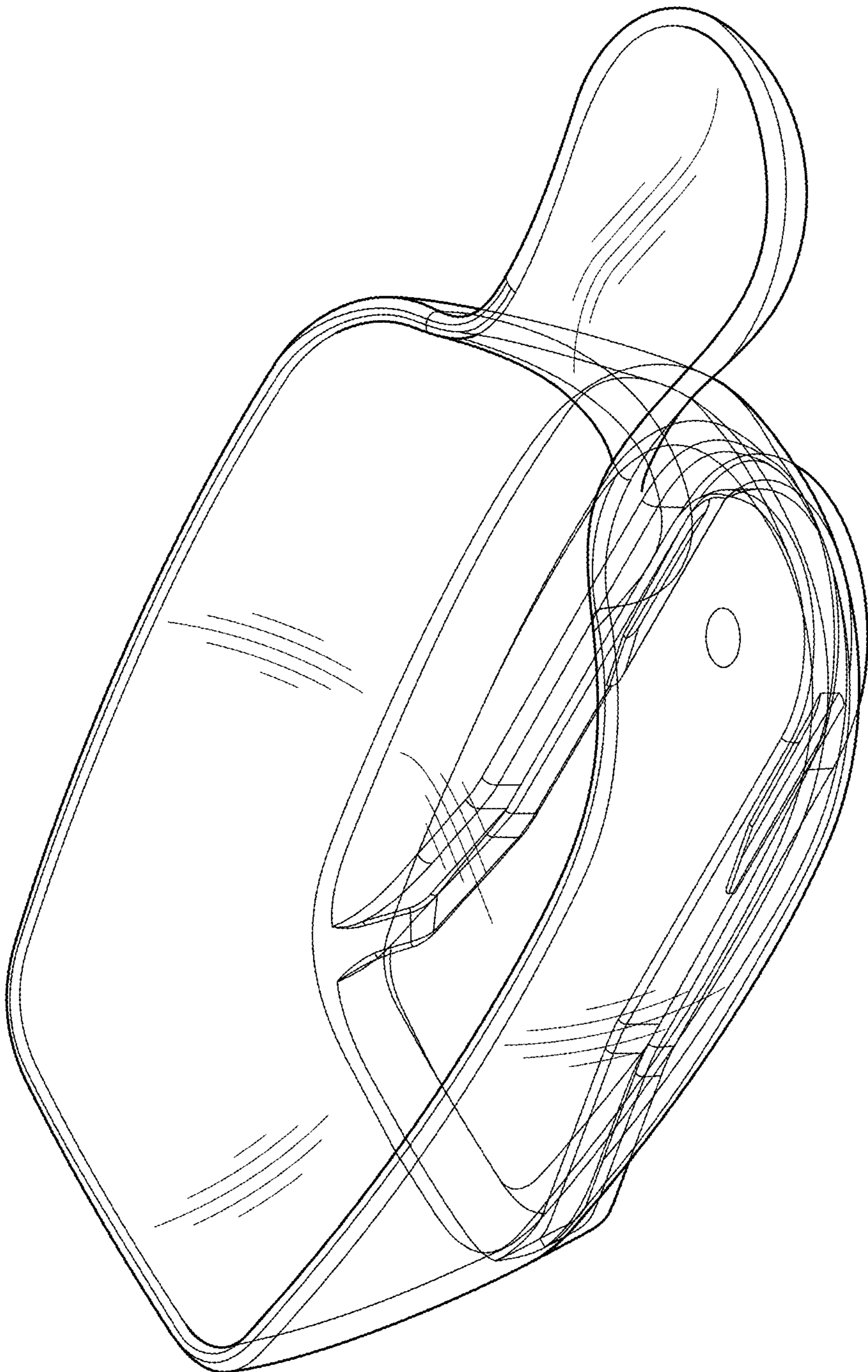


FIG. 1

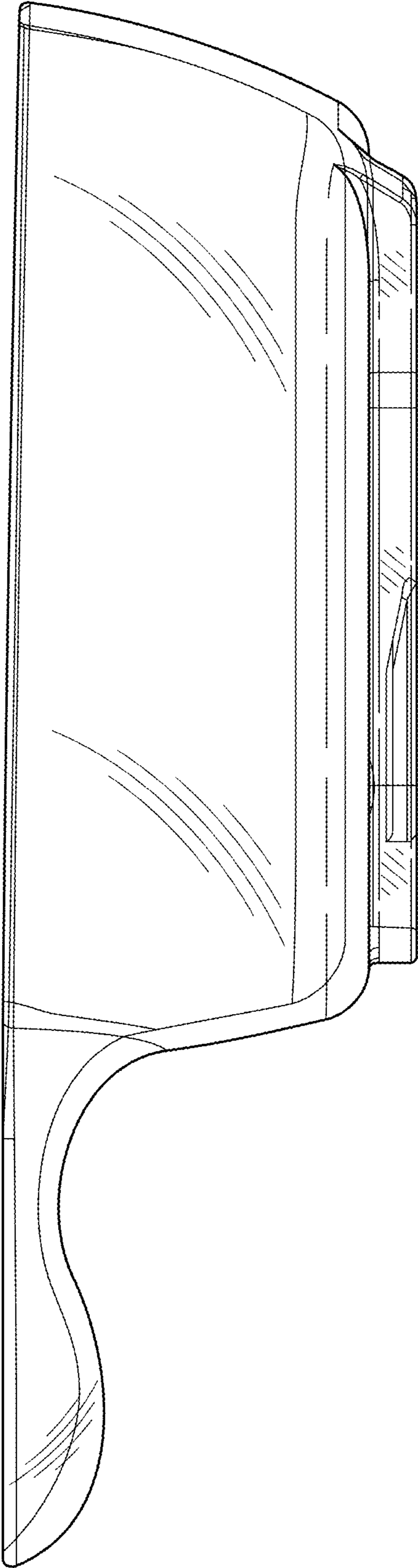


FIG. 2

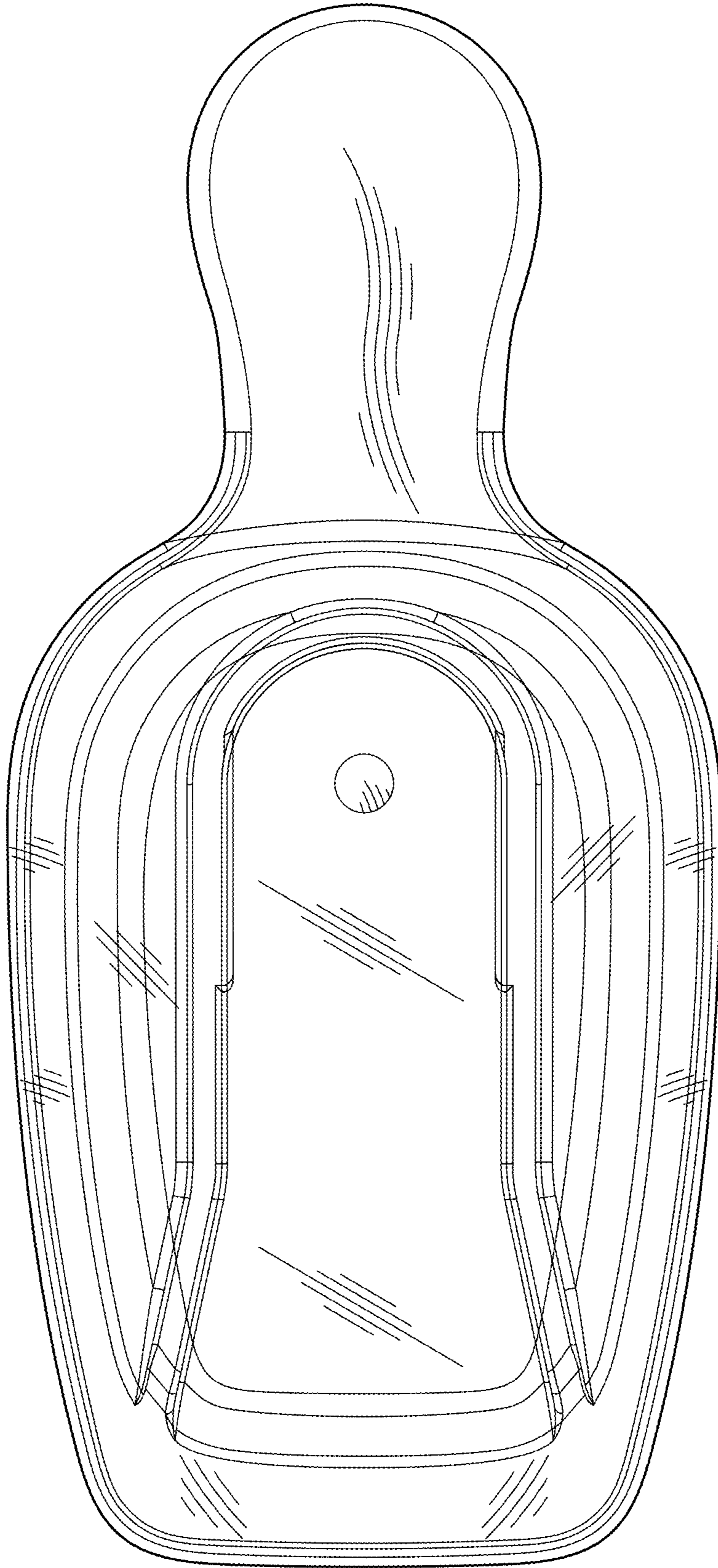


FIG. 3

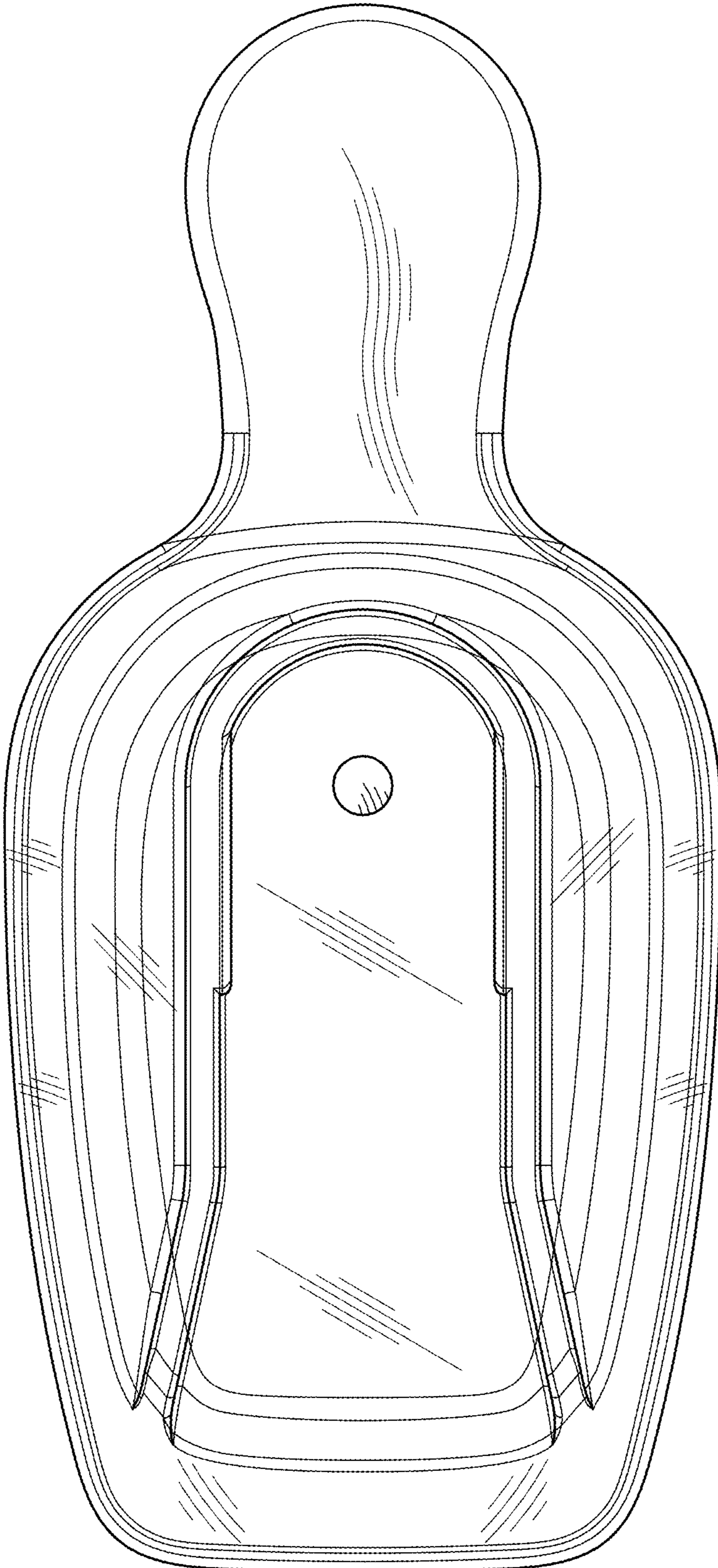


FIG. 4

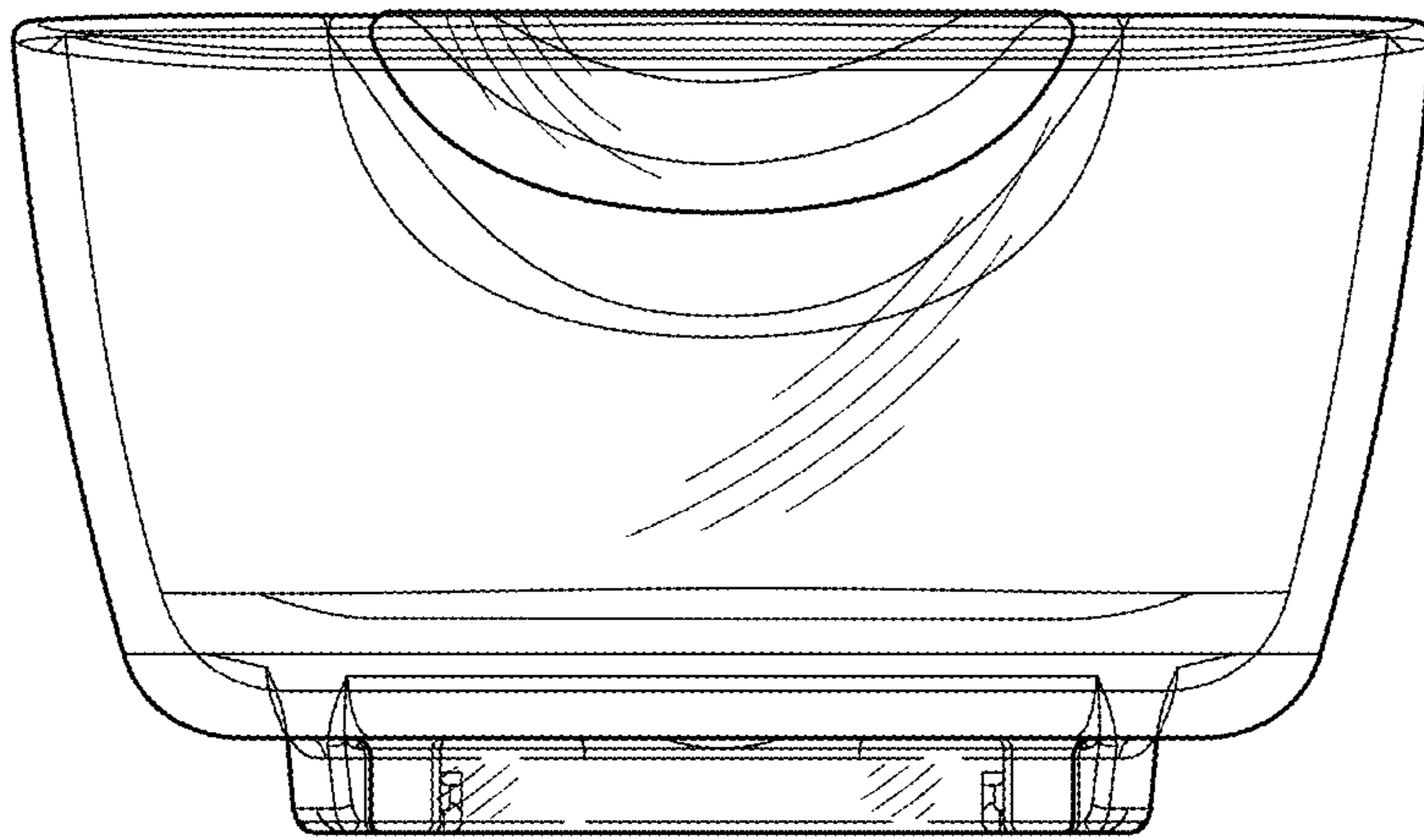


FIG. 5

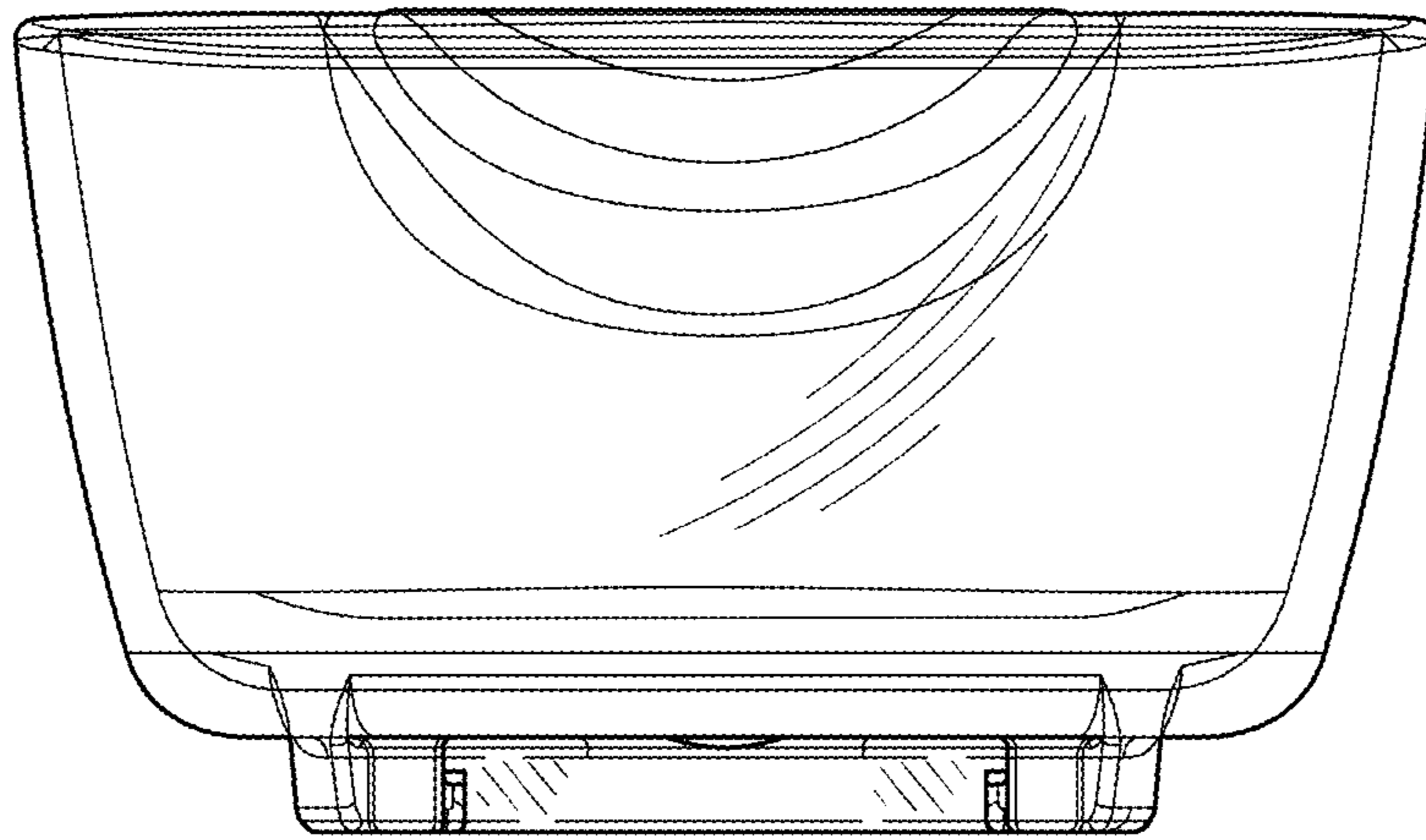


FIG. 6