



US00D880256S

(12) **United States Design Patent**
Silsby

(10) **Patent No.:** **US D880,256 S**

(45) **Date of Patent:** **** Apr. 7, 2020**

(54) **FOOD CONTAINER**

DESCRIPTION

- (71) Applicant: **Pacific Market International, LLC**,
Seattle, WA (US)
- (72) Inventor: **Jacob D. Silsby**, Seattle, WA (US)
- (73) Assignee: **Pacific Market International, LLC**,
Seattle, WA (US)
- (**) Term: **15 Years**
- (21) Appl. No.: **29/630,636**
- (22) Filed: **Dec. 21, 2017**
- (51) **LOC (12) Cl.** **09-07**
- (52) **U.S. Cl.**
USPC **D7/629**
- (58) **Field of Classification Search**
USPC D7/510, 511, 300.1, 591, 392.1, 396.2,
D7/529, 533-536, 602, 605, 608, 629;
D9/503, 504, 434, 763, 764, 772, 516
(Continued)

FIG. 1 is a top perspective view of a food container showing my new design.
 FIG. 2 is a bottom perspective view thereof.
 FIG. 3 is a left side elevational view thereof.
 FIG. 4 is a rear elevational view thereof.
 FIG. 5 is a front elevational view thereof.
 FIG. 6 is a right side elevational view thereof.
 FIG. 7 is a top plan view thereof.
 FIG. 8 is a bottom plan view thereof.
 FIG. 9 is a top perspective view of a second embodiment thereof.
 FIG. 10 is a bottom perspective view thereof.
 FIG. 11 is a left side elevational view thereof.
 FIG. 12 is a rear elevational view thereof.
 FIG. 13 is a front elevational view thereof.
 FIG. 14 is a right side elevational view thereof.
 FIG. 15 is a top plan view thereof.
 FIG. 16 is a bottom plan view thereof.
 FIG. 17 is a top perspective view of a third embodiment thereof.
 FIG. 18 is a bottom perspective view thereof.
 FIG. 19 is a left side elevational view thereof.
 FIG. 20 is a rear elevational view thereof.
 FIG. 21 is a front elevational view thereof.
 FIG. 22 is a right side elevational view thereof.
 FIG. 23 is a top plan view thereof.
 FIG. 24 is a bottom plan view thereof.
 FIG. 25 is a top perspective view of a fourth embodiment thereof.
 FIG. 26 is a bottom perspective view thereof.
 FIG. 27 is a left side elevational view thereof.
 FIG. 28 is a rear elevational view thereof.
 FIG. 29 is a front elevational view thereof.
 FIG. 30 is a right side elevational view thereof.
 FIG. 31 is a top plan view thereof; and,
 FIG. 32 is a bottom plan view thereof.

The broken lines in the drawing views represent unclaimed portions of a food container which are included for the purpose of illustrating unclaimed environment only, and form no part of the claimed design.

(56) **References Cited**

U.S. PATENT DOCUMENTS

- D557,994 S 12/2007 Wahl
- D592,012 S * 5/2009 Carreno D7/510
(Continued)

OTHER PUBLICATIONS

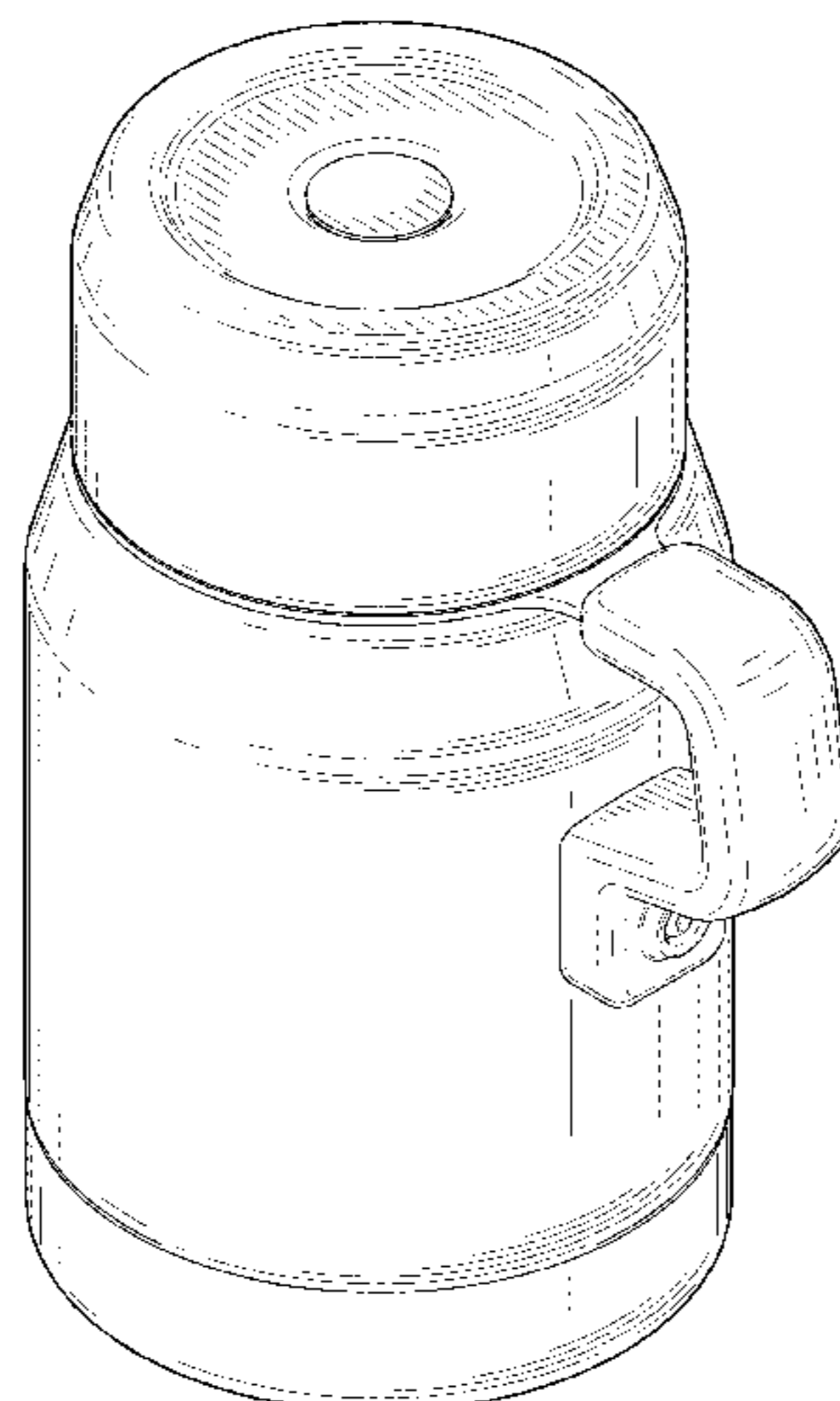
Beckman, Michael Carl, "Combined Beverage and Food Container," U.S. Appl. No. 29/569,055, filed Jun. 23, 2016.
(Continued)

Primary Examiner — Derrick E Holland
Assistant Examiner — Andrew Kerr
 (74) *Attorney, Agent, or Firm* — Davis Wright Tremaine LLP; George C. Rondeau, Jr.

(57) **CLAIM**

The ornamental design for a food container, as shown and described.

1 Claim, 28 Drawing Sheets



US D880,256 S

Page 2

(58) **Field of Classification Search**

CPC A47G 19/22; A45F 3/16; B65D 41/04;
B65D 43/02

See application file for complete search history.

D808,219 S * 1/2018 Heiberger D7/510
D808,221 S 1/2018 George et al.
D808,735 S 1/2018 Beckman
10,023,366 B2 * 7/2018 Gilbert A47G 19/2272

(56)

References Cited

U.S. PATENT DOCUMENTS

D615,817 S 5/2010 George
D618,508 S * 6/2010 George D7/319
D650,232 S 12/2011 Gilbert
D656,361 S 3/2012 Gilbert
D659,474 S 5/2012 Wahl et al.
8,727,176 B2 * 5/2014 El-Saden A47G 19/2272
220/715
8,844,762 B2 * 9/2014 Chiou B65D 43/02
220/715
D721,540 S * 1/2015 Grcic D7/511
D779,273 S * 2/2017 Lee D7/510

OTHER PUBLICATIONS

Choltco-Devlin et al., Evan Michael, "Beverage Container With Handle," U.S. Appl. No. 15/170,796, filed Jun. 1, 2016.
Silsby, Jacob D., "Beverage Container," U.S. Appl. No. 29/611,368, filed Jul. 20, 2017.
Silsby, Jacob D., "Beverage Container," U.S. Appl. No. 29/611,371, filed Jul. 20, 2017.
Silsby, Jacob D., "Beverage Container," U.S. Appl. No. 29/611,373, filed Jul. 20, 2017.
Stanley Master Series Vacuum Food Jar 24OZ, 1 page, Stanley product publicly disclosed prior to Dec. 21, 2017.

* cited by examiner

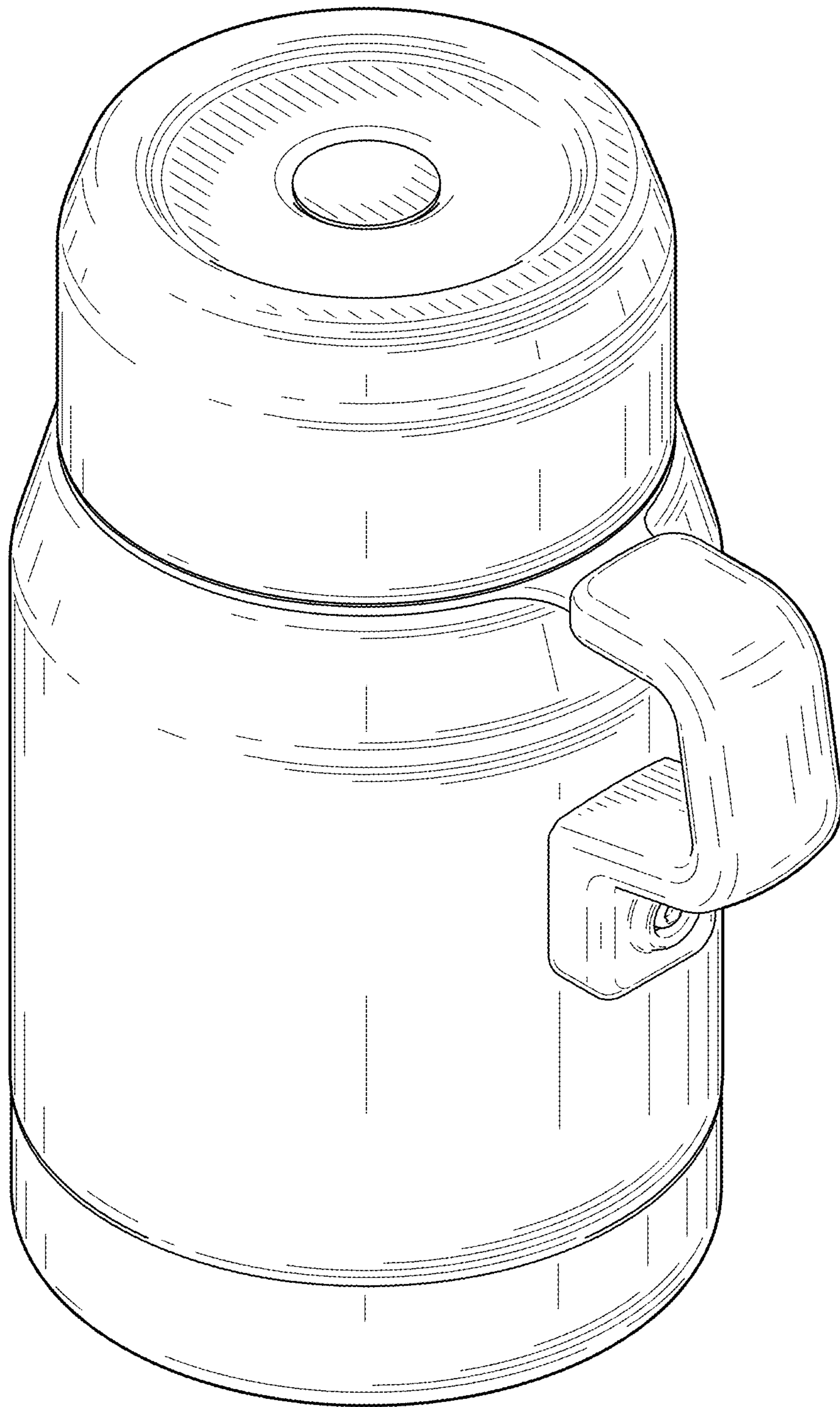


FIG. 1

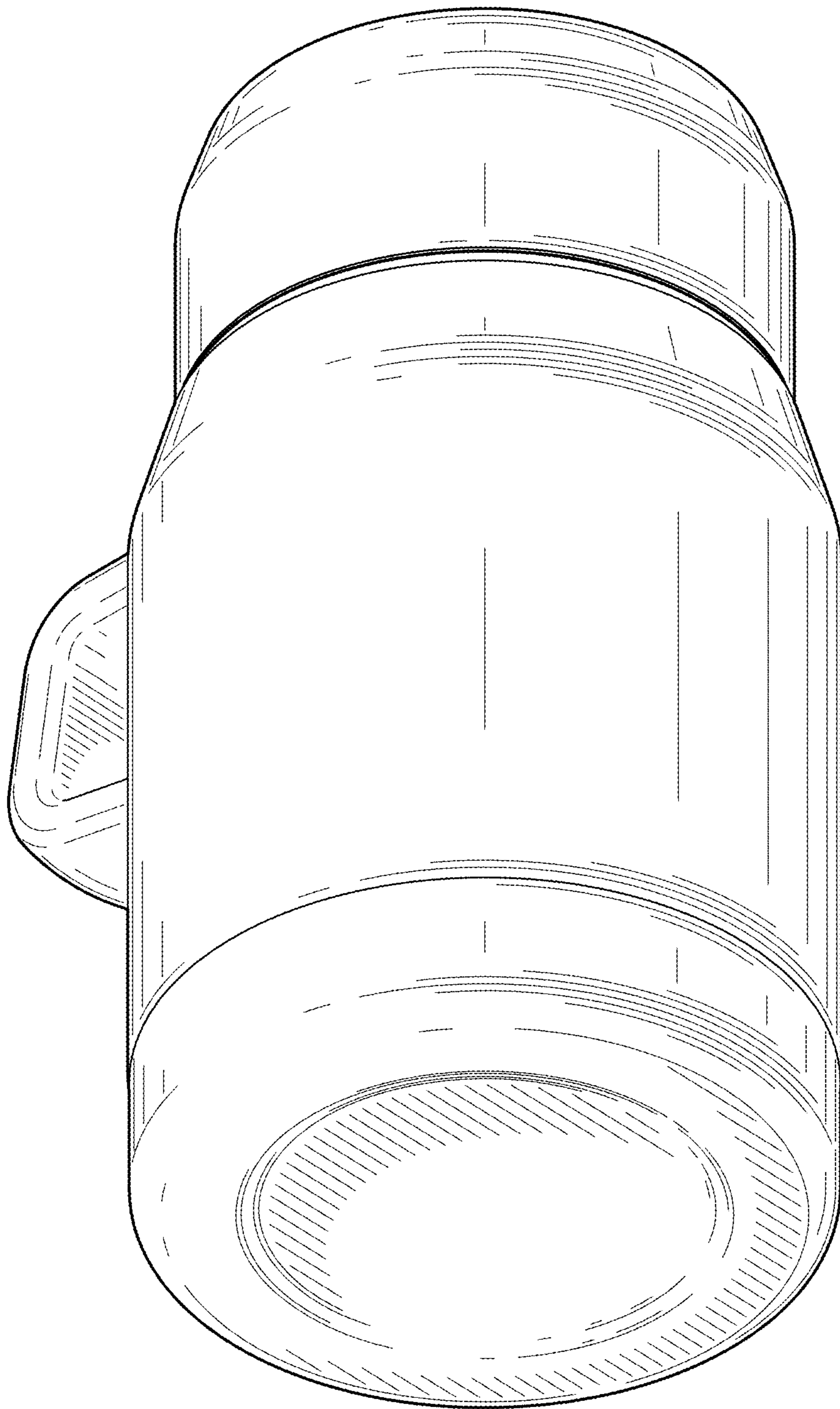


FIG. 2

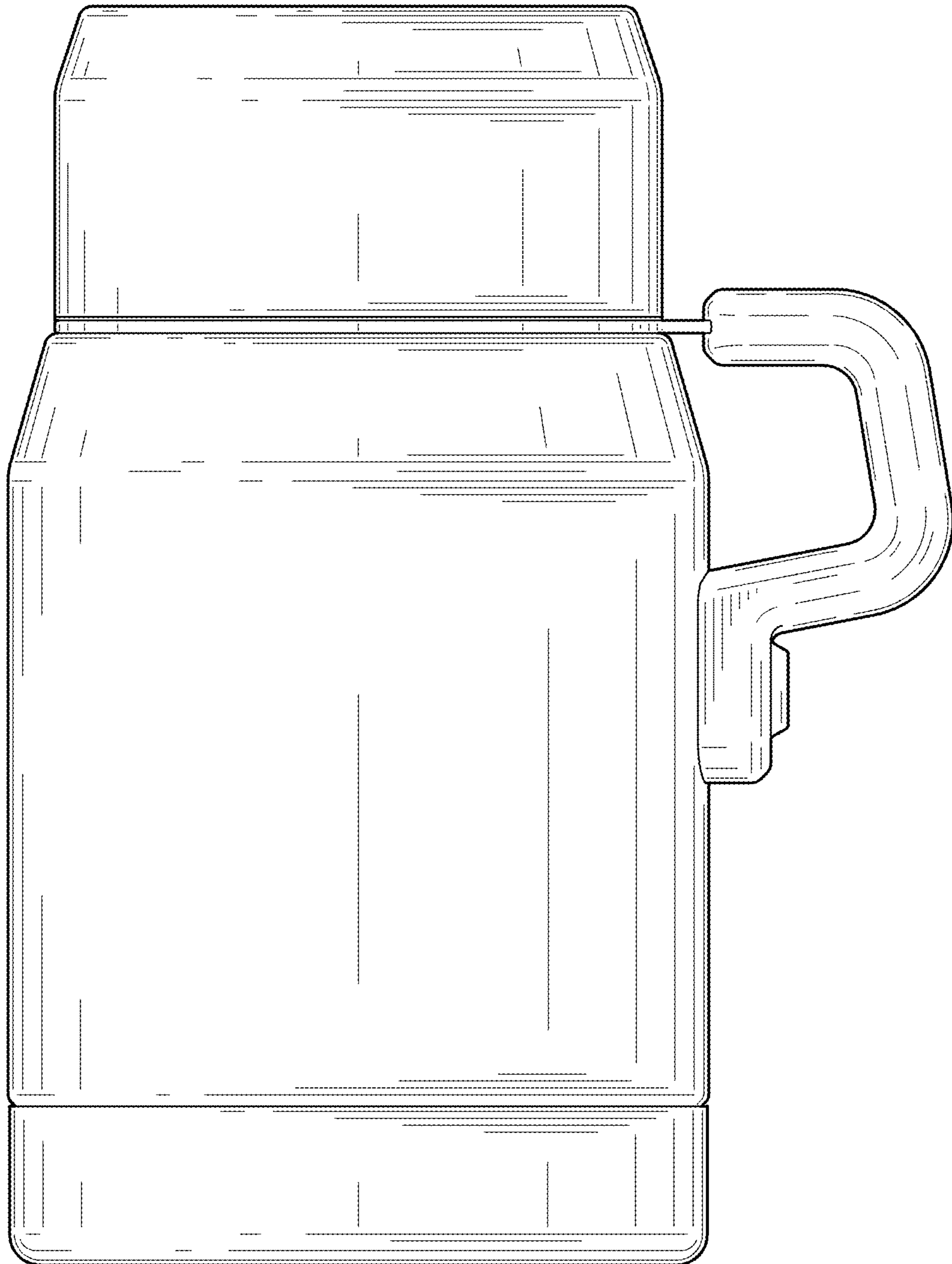


FIG. 3

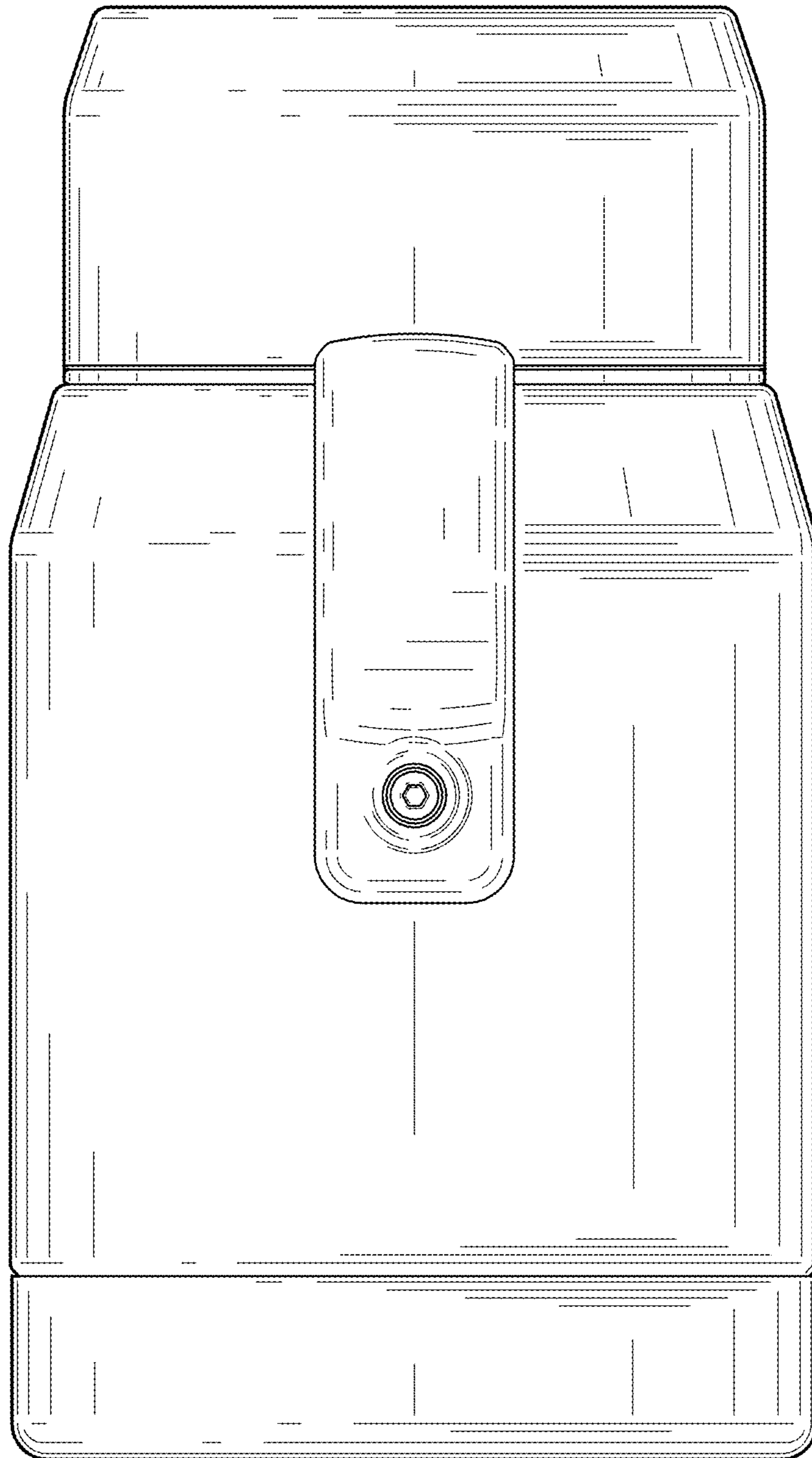


FIG. 4

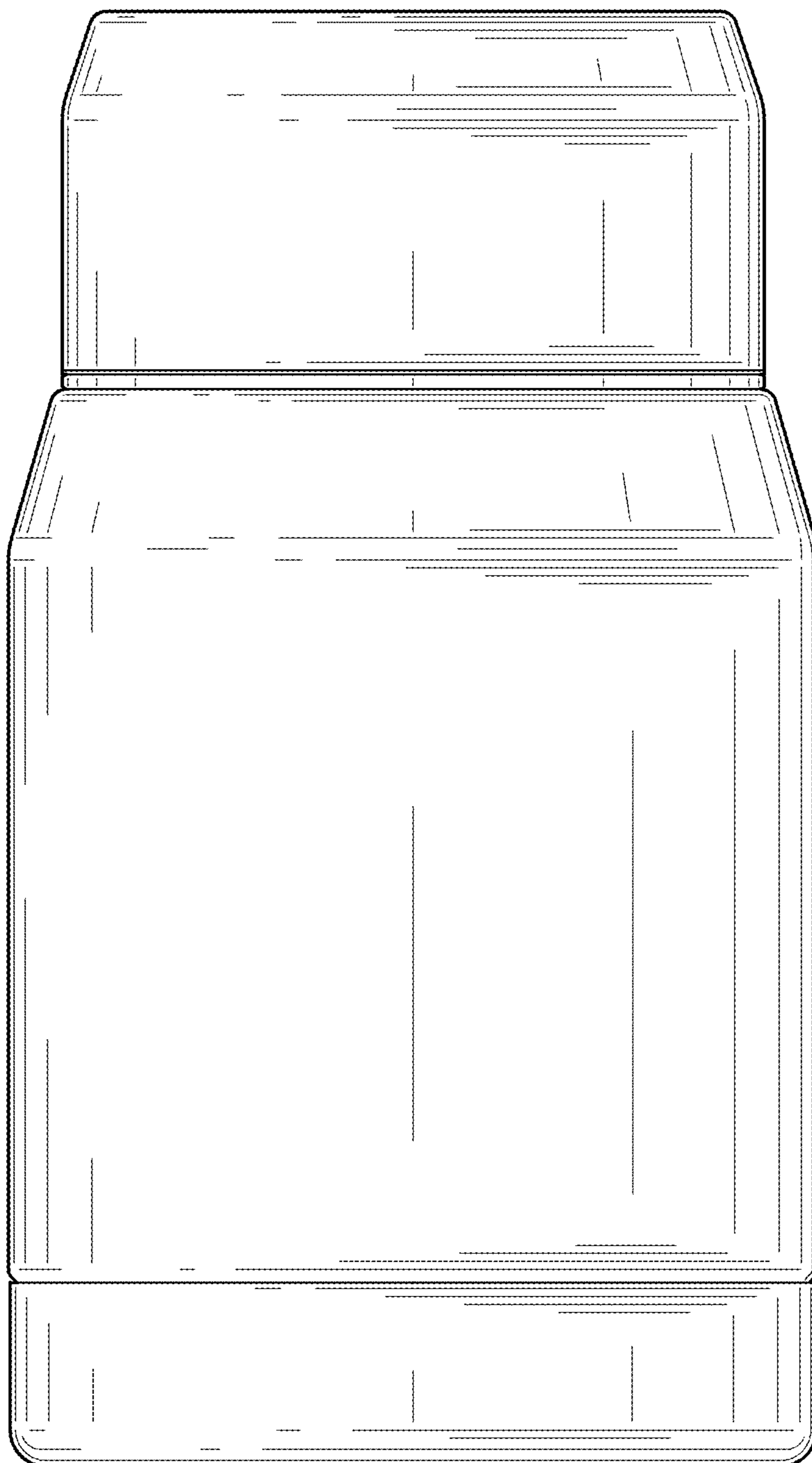


FIG. 5

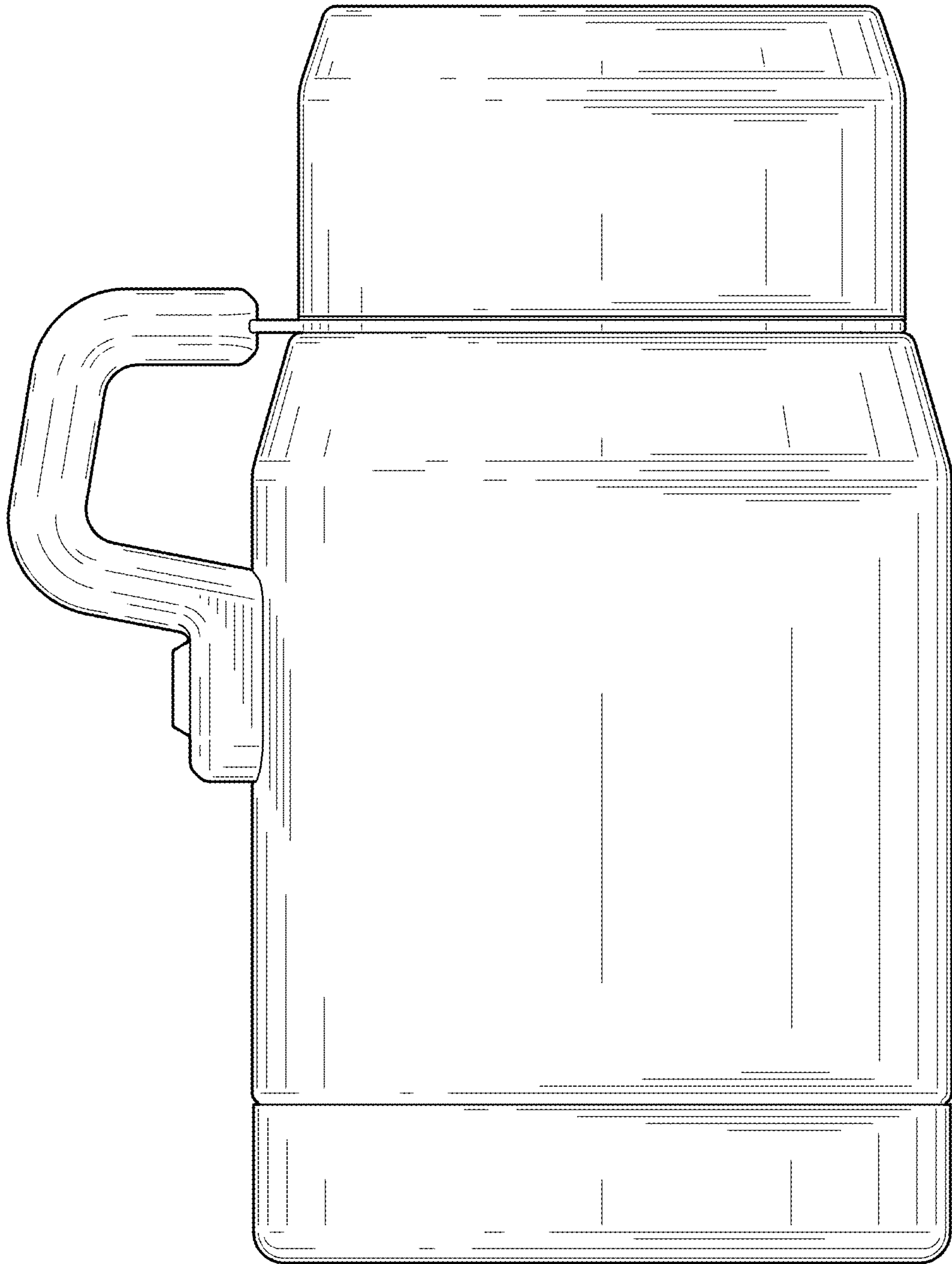


FIG. 6

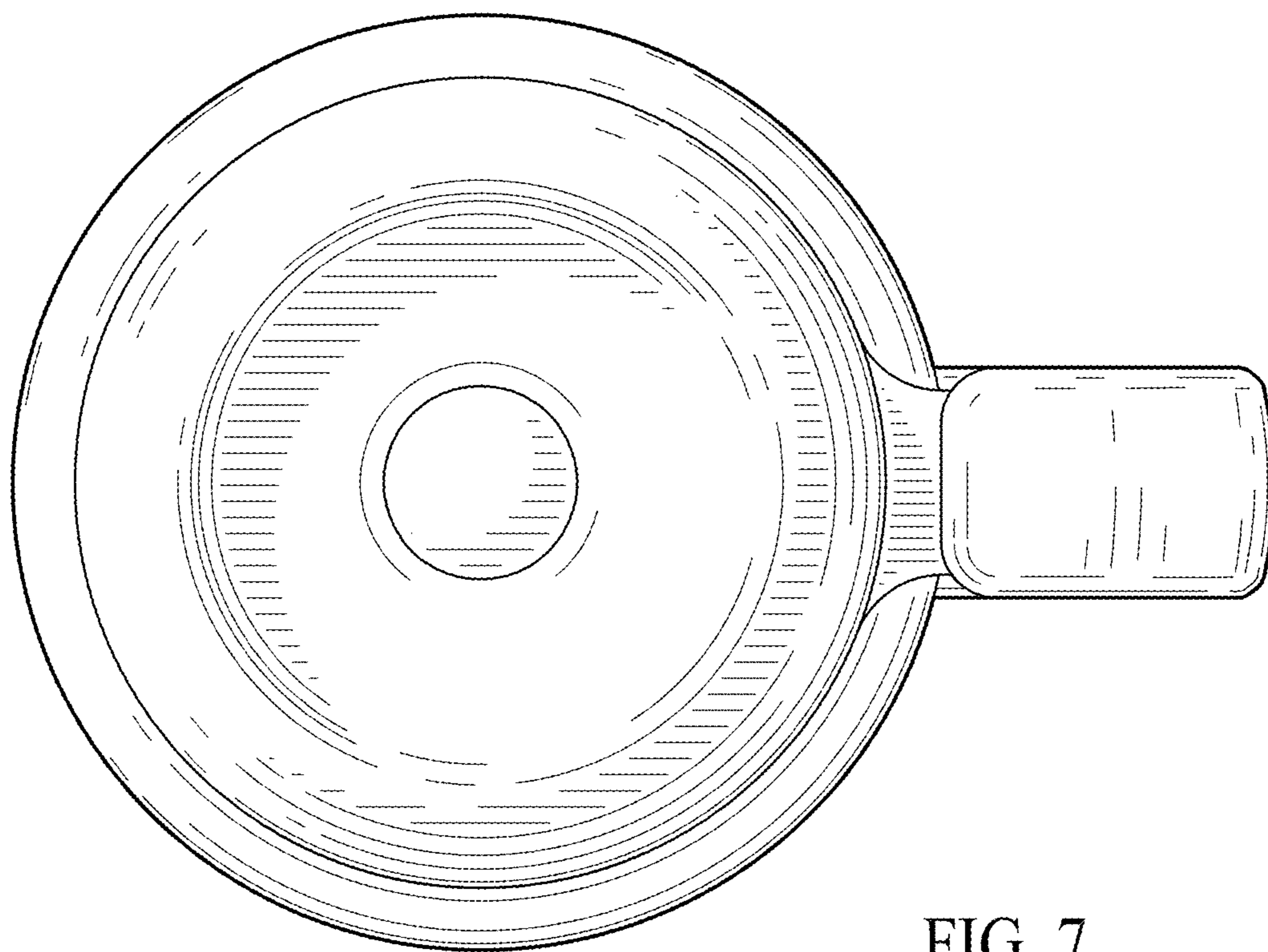


FIG. 7

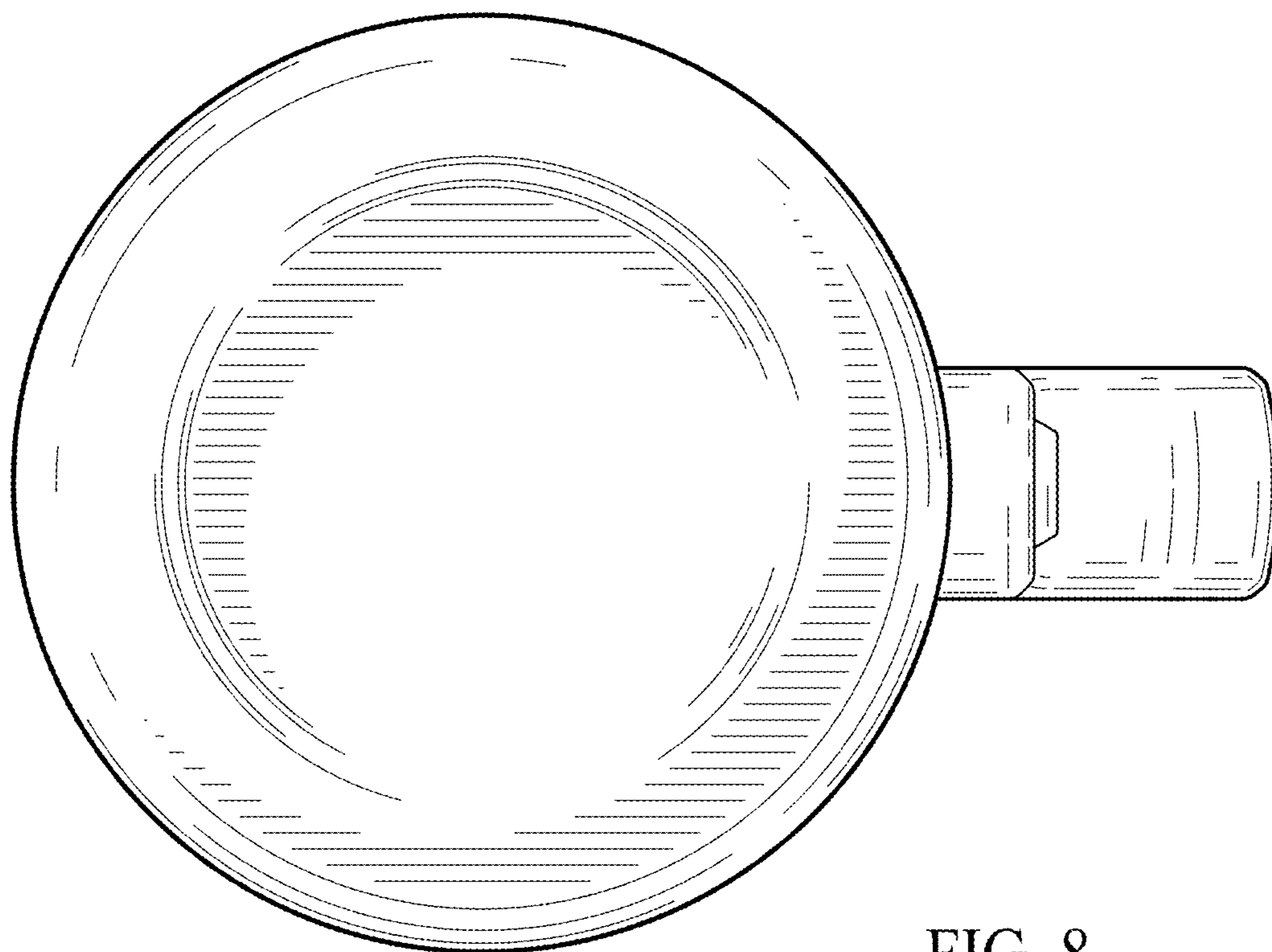


FIG. 8

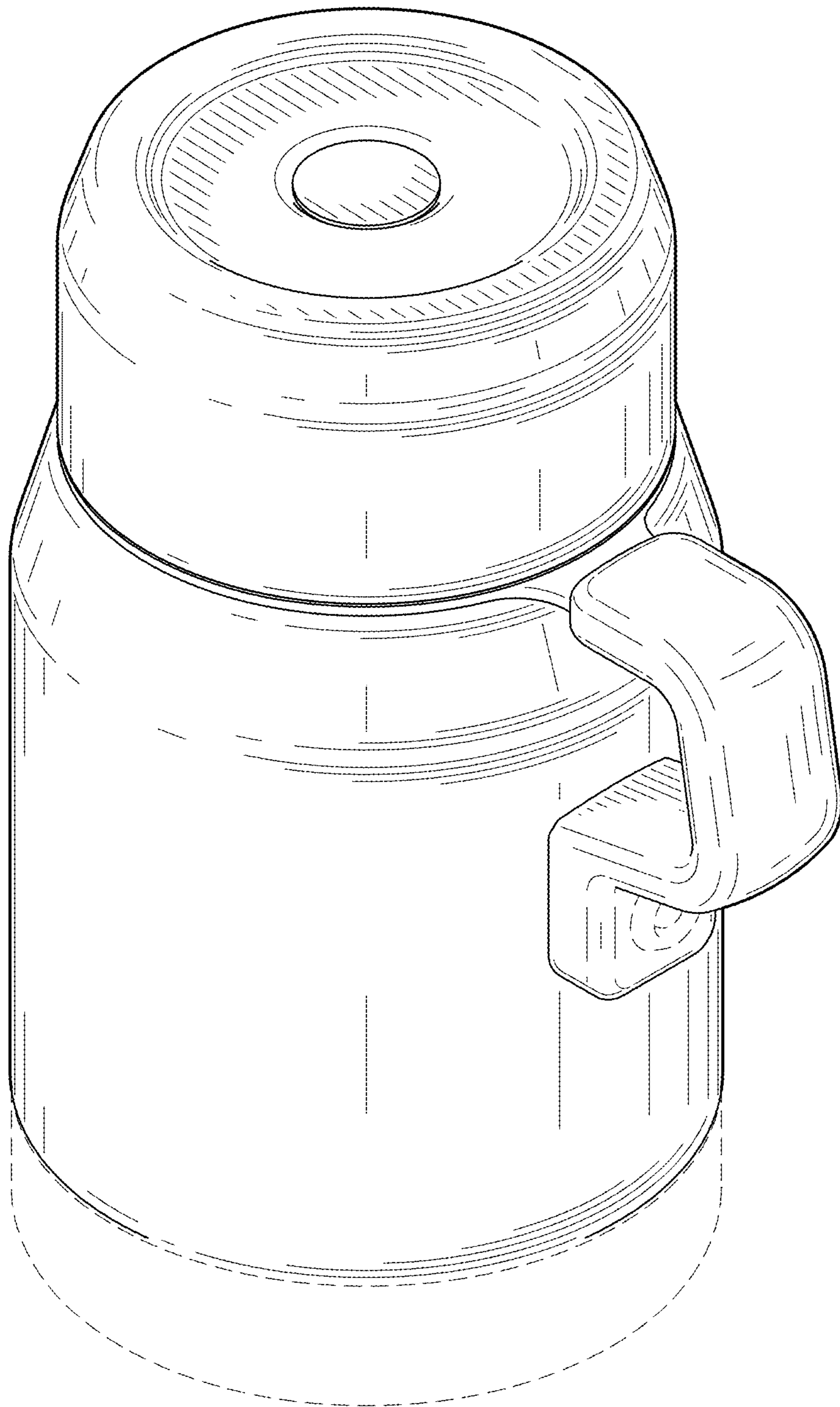


FIG. 9

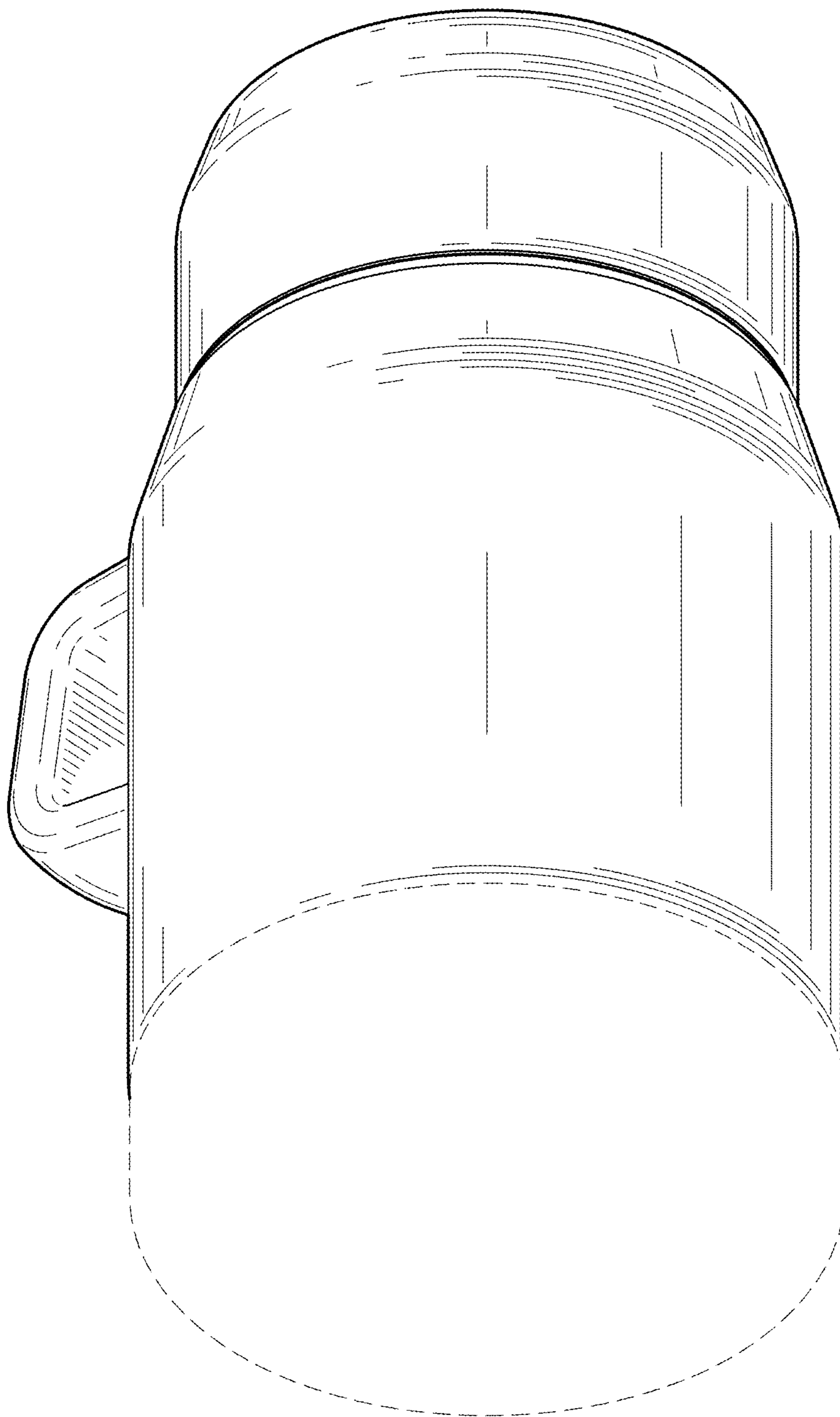


FIG. 10

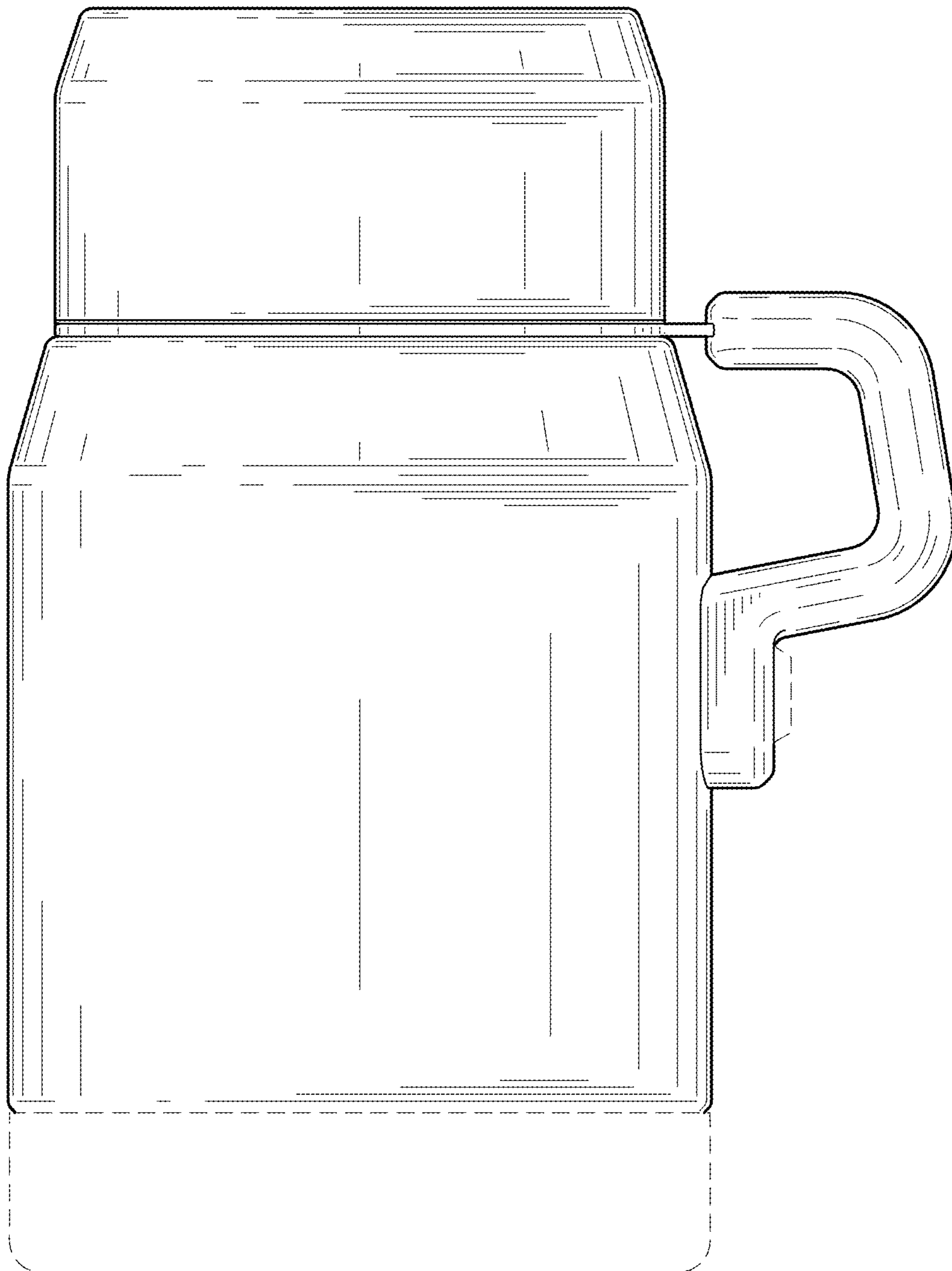


FIG. 11

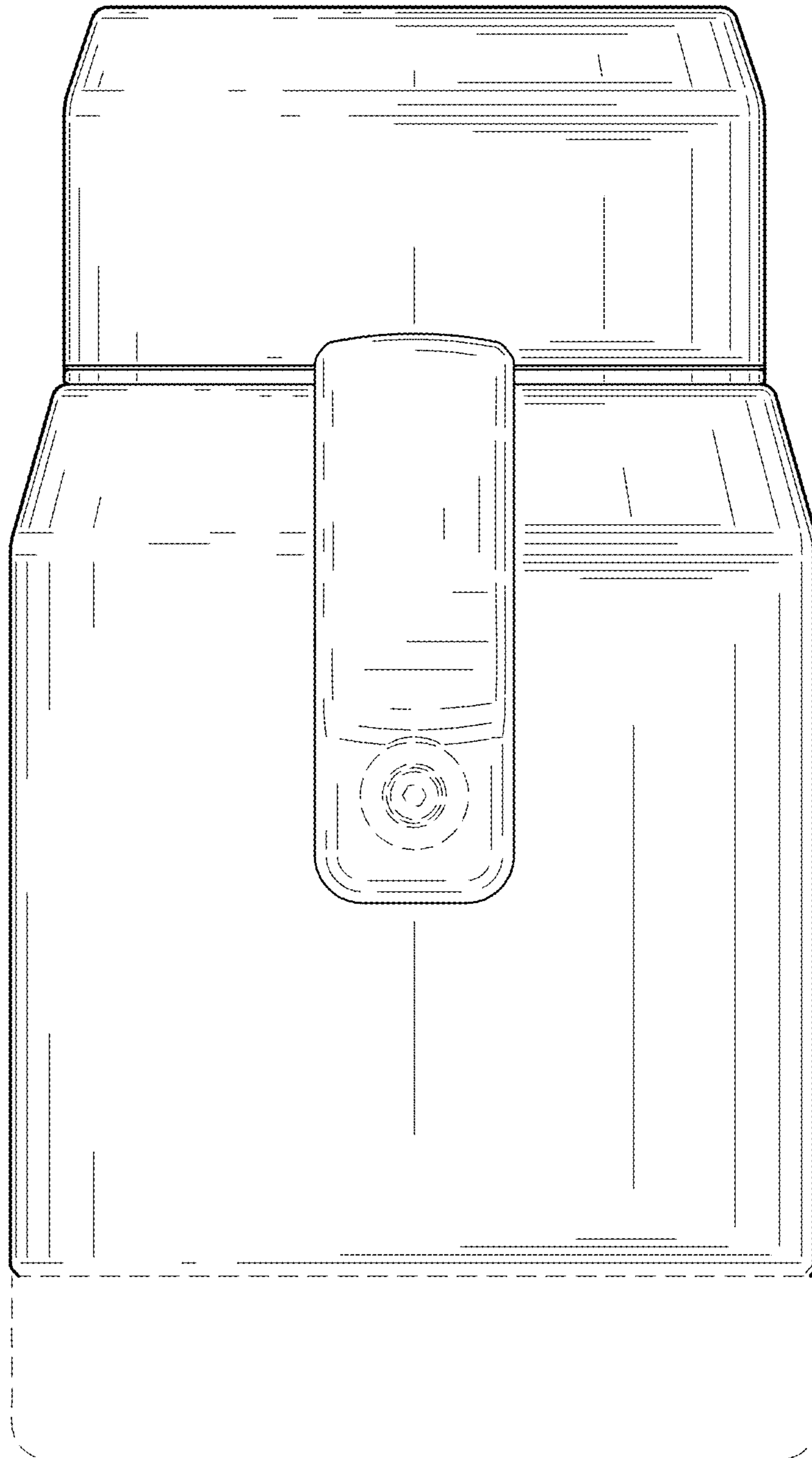


FIG. 12

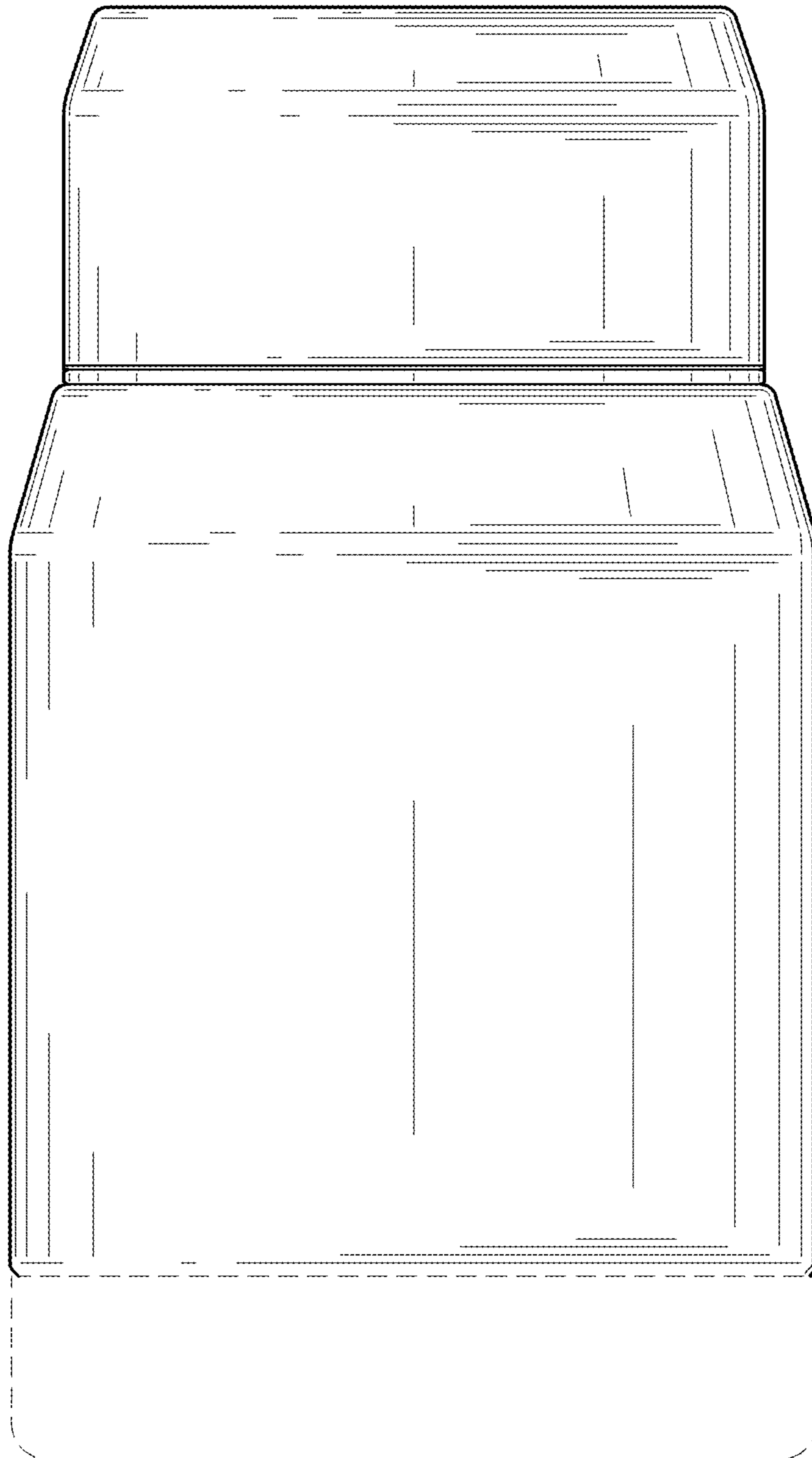


FIG. 13

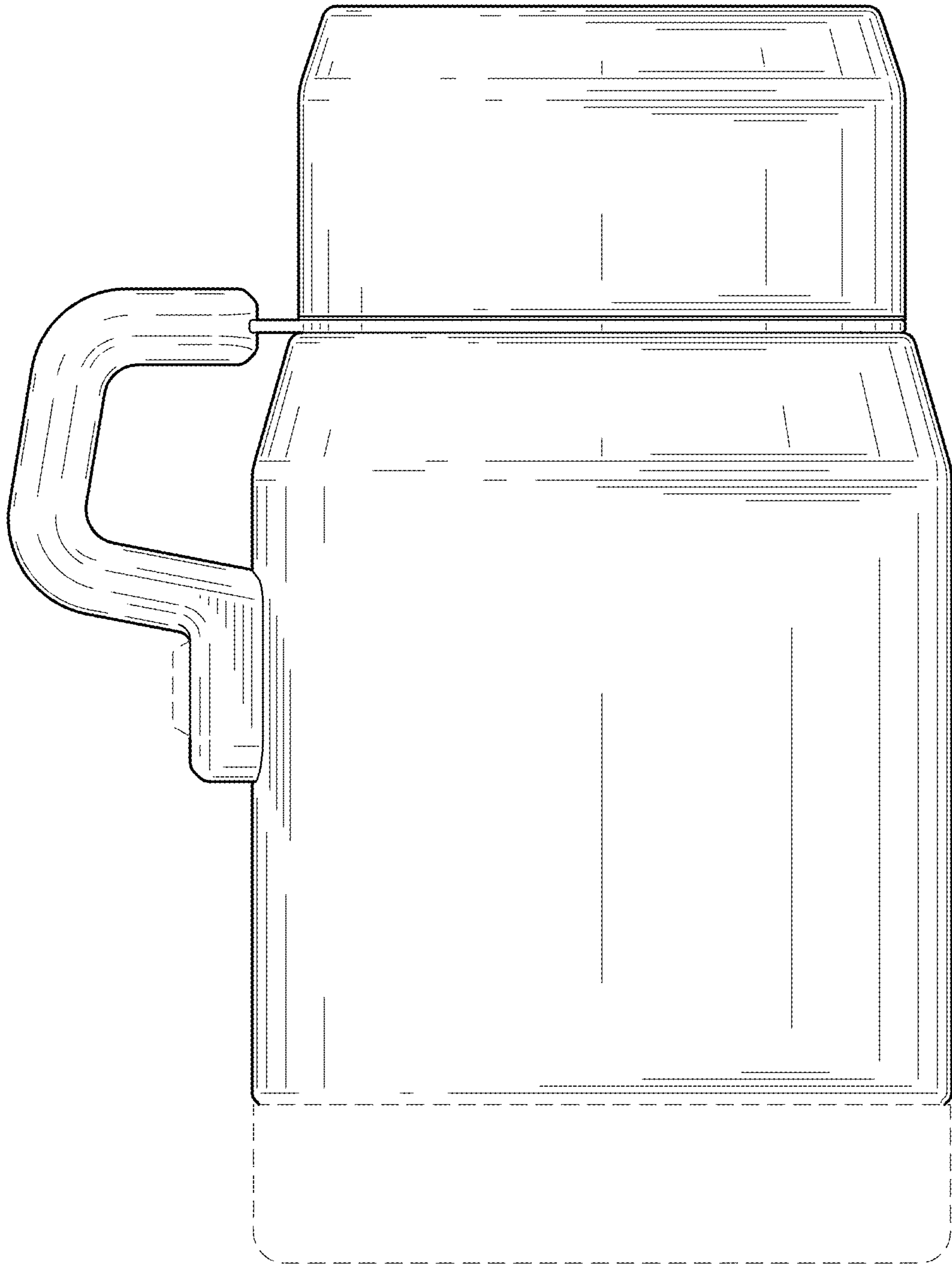


FIG. 14

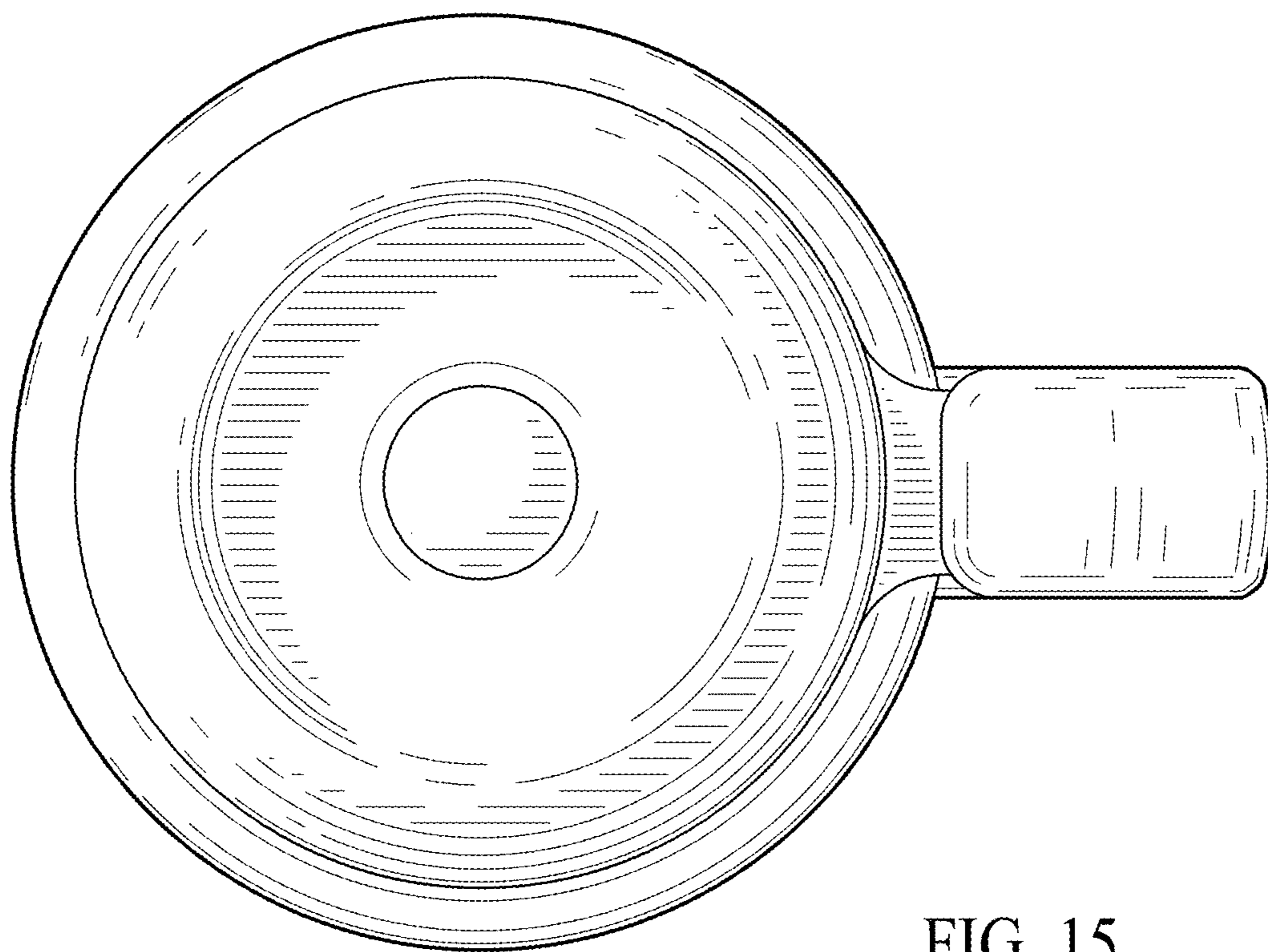


FIG. 15

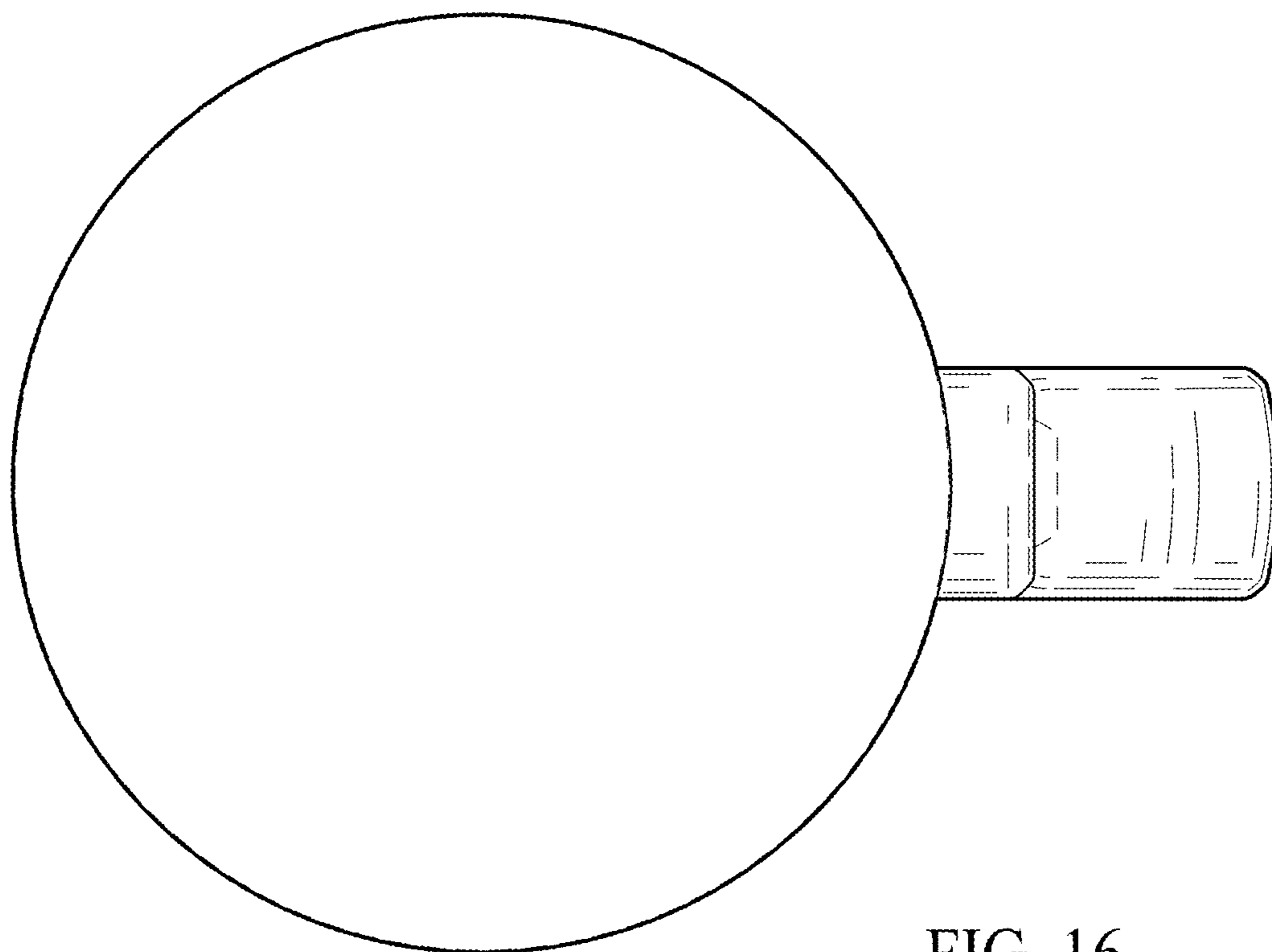


FIG. 16

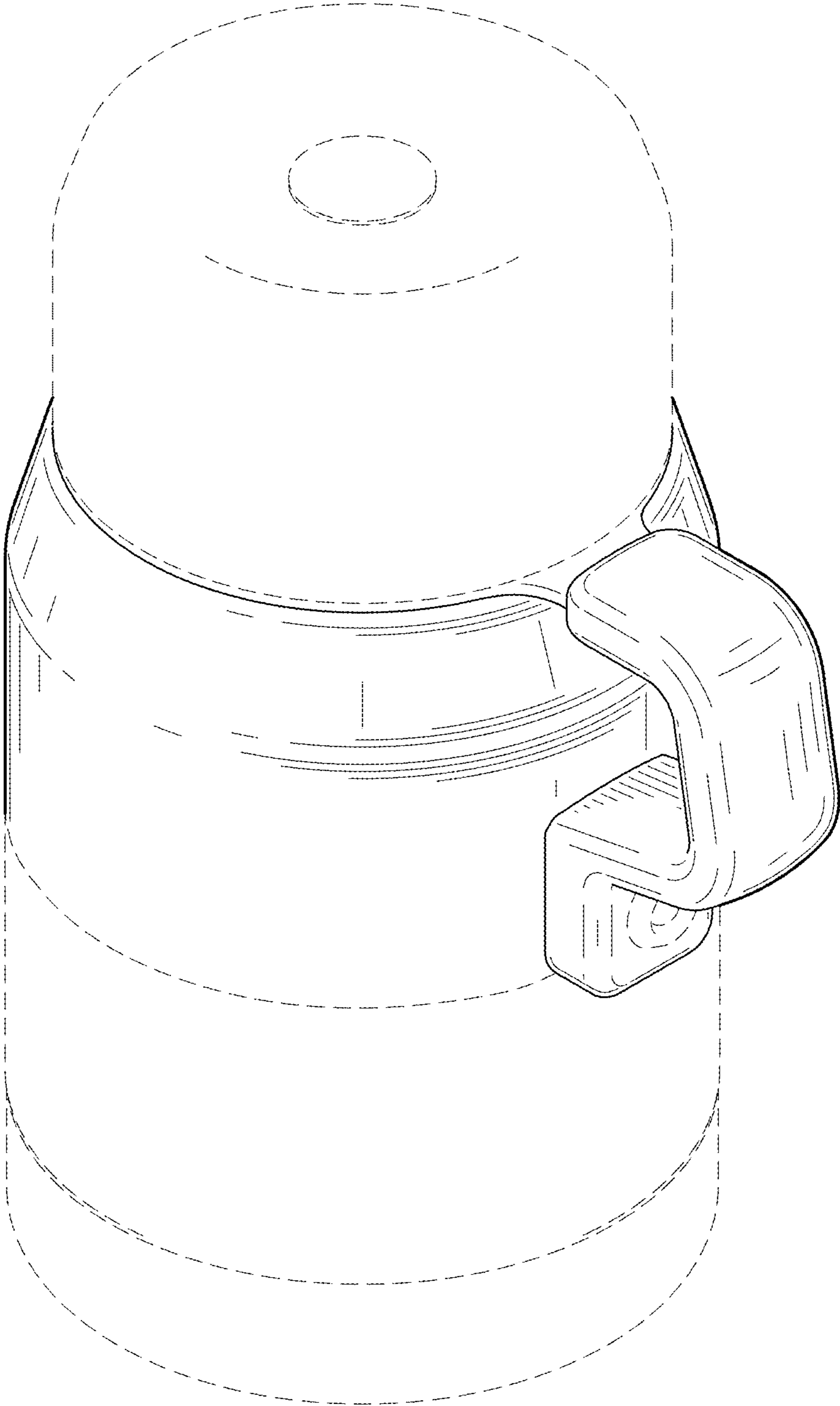


FIG. 17

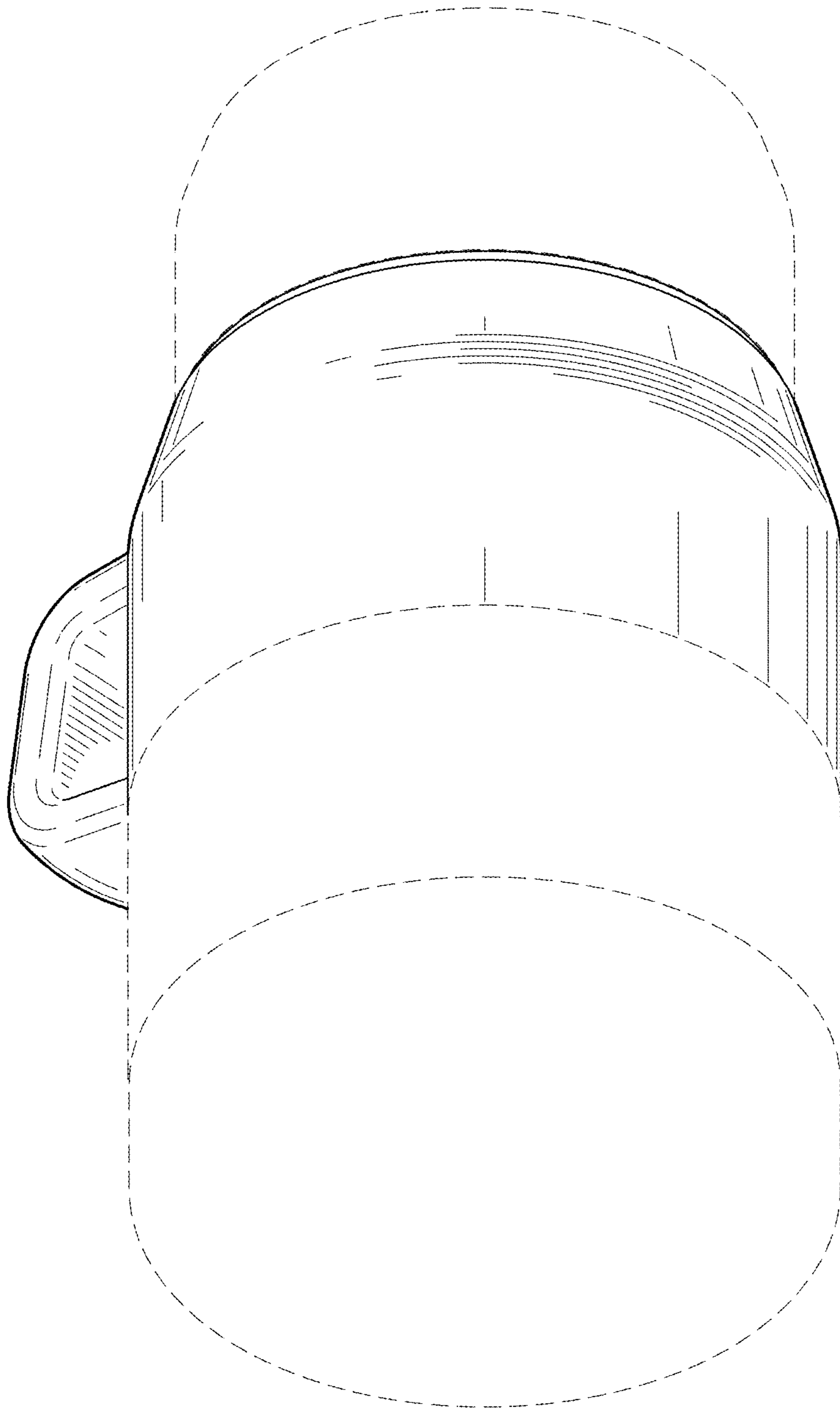


FIG. 18

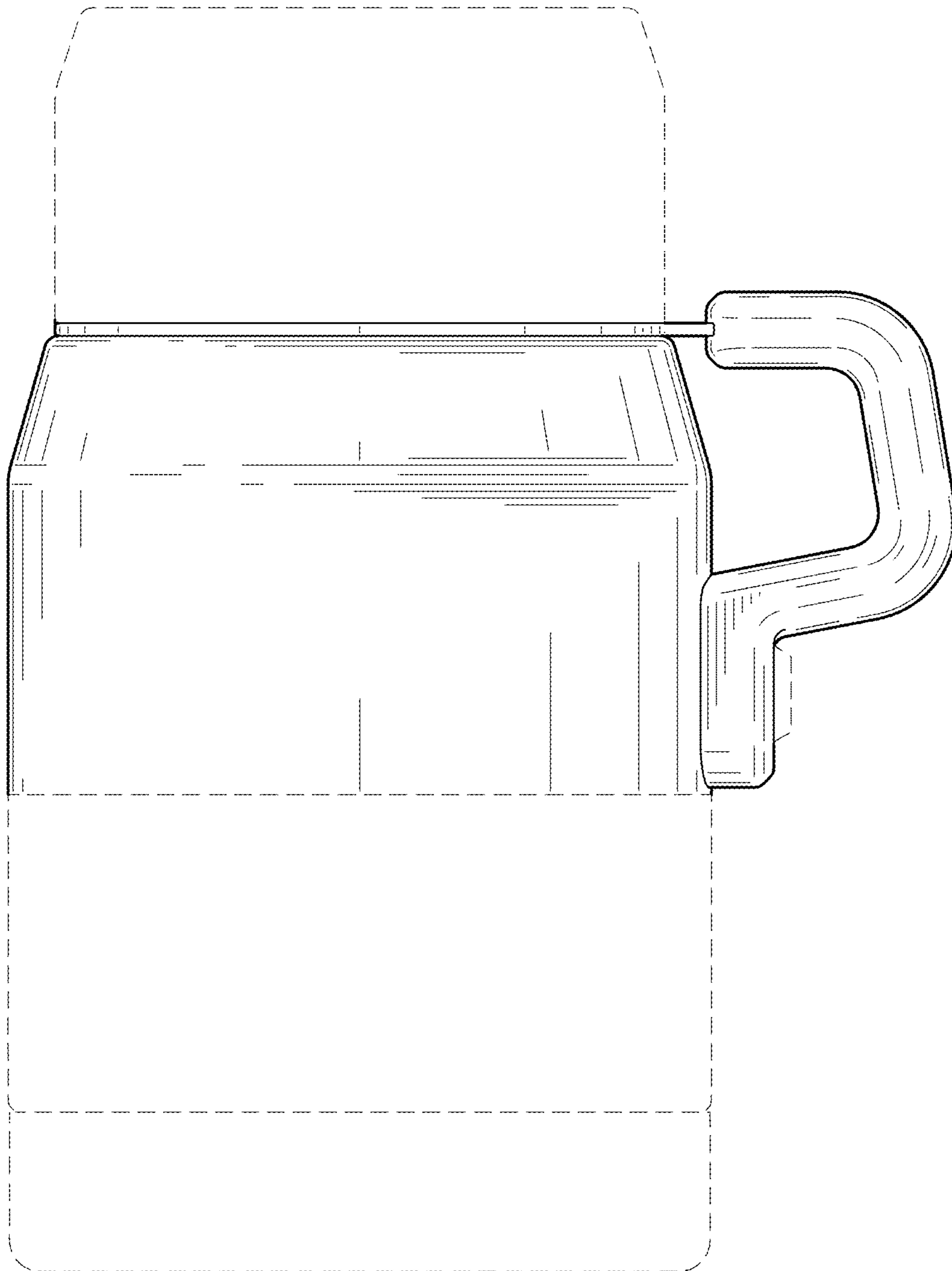


FIG. 19

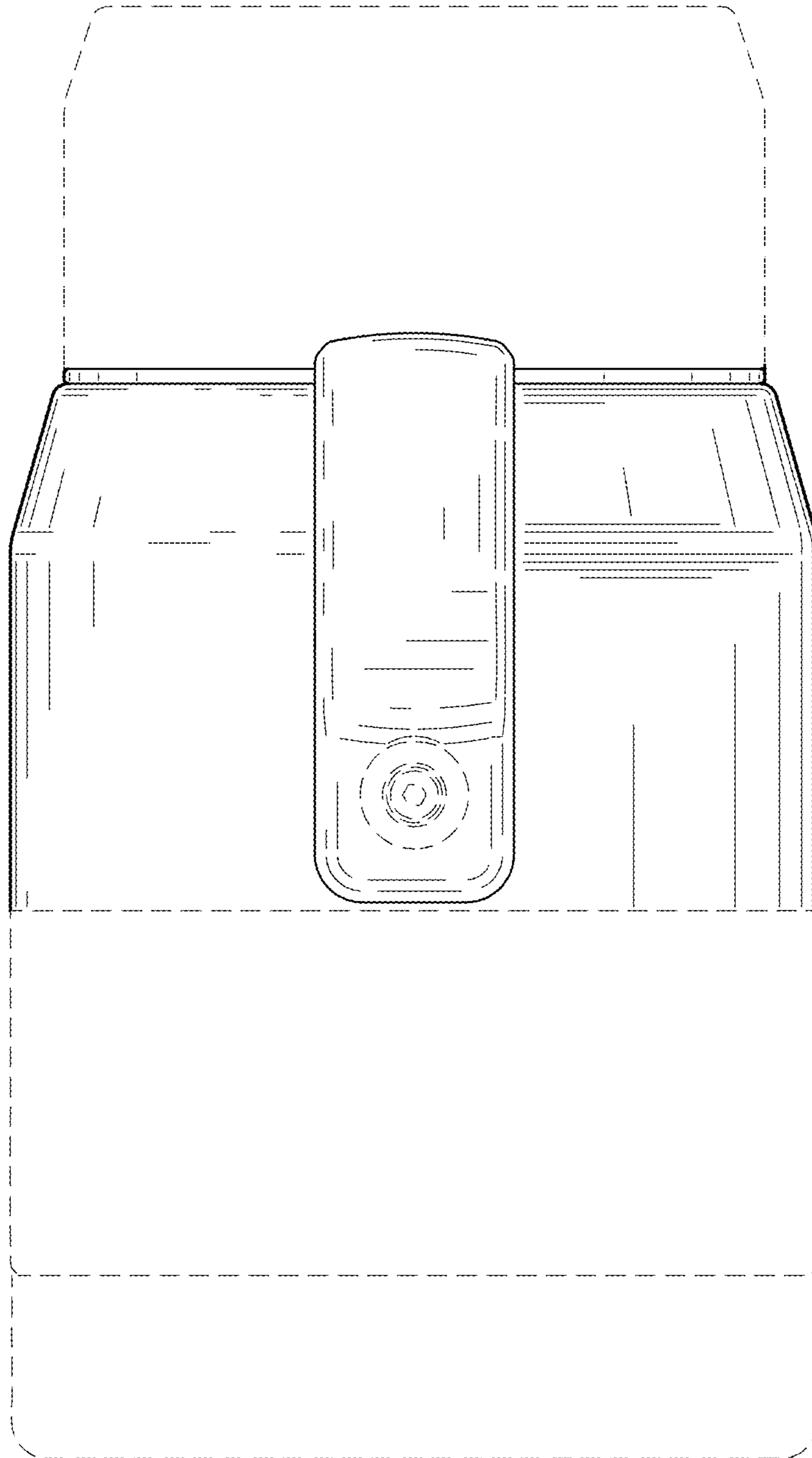


FIG. 20

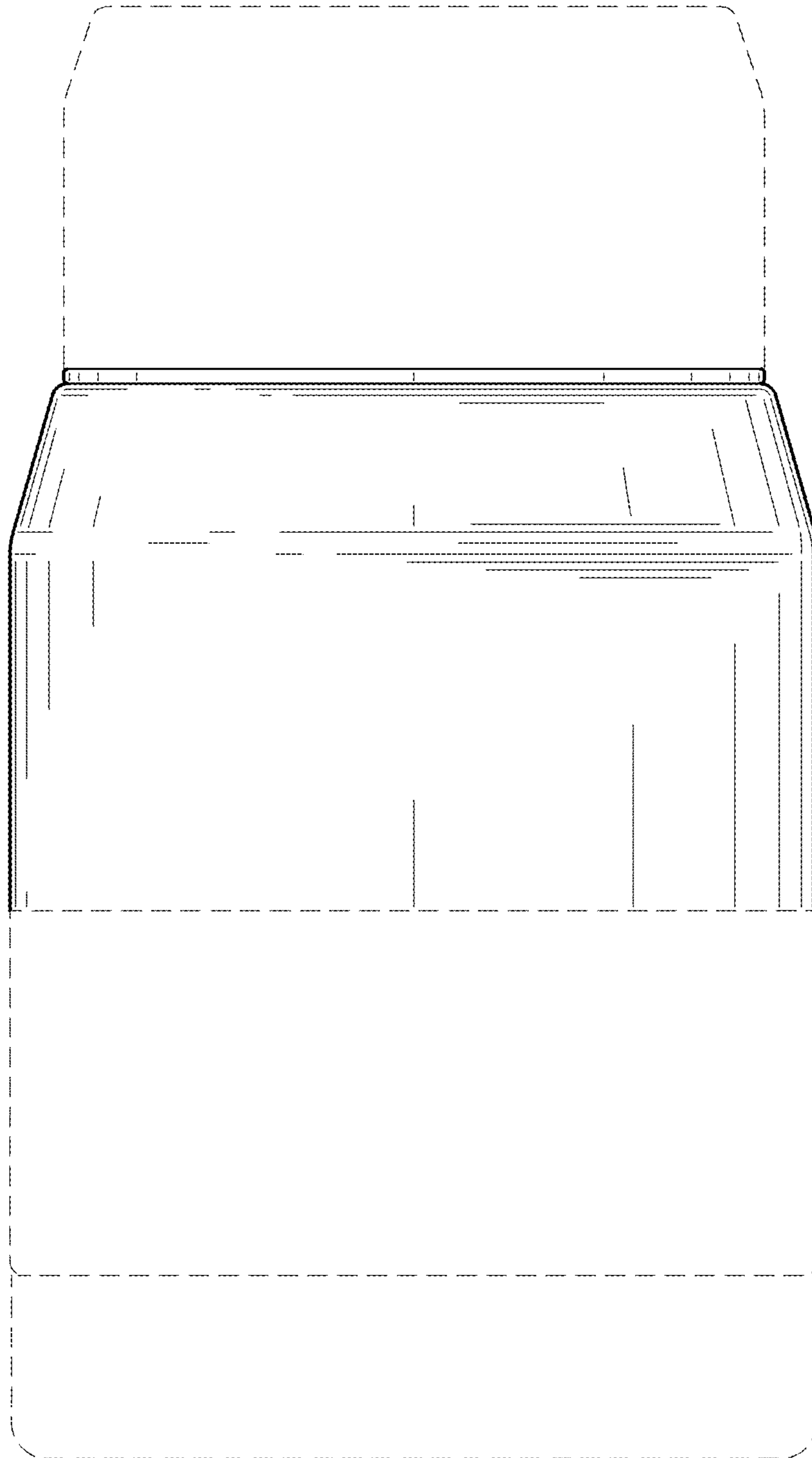


FIG. 21

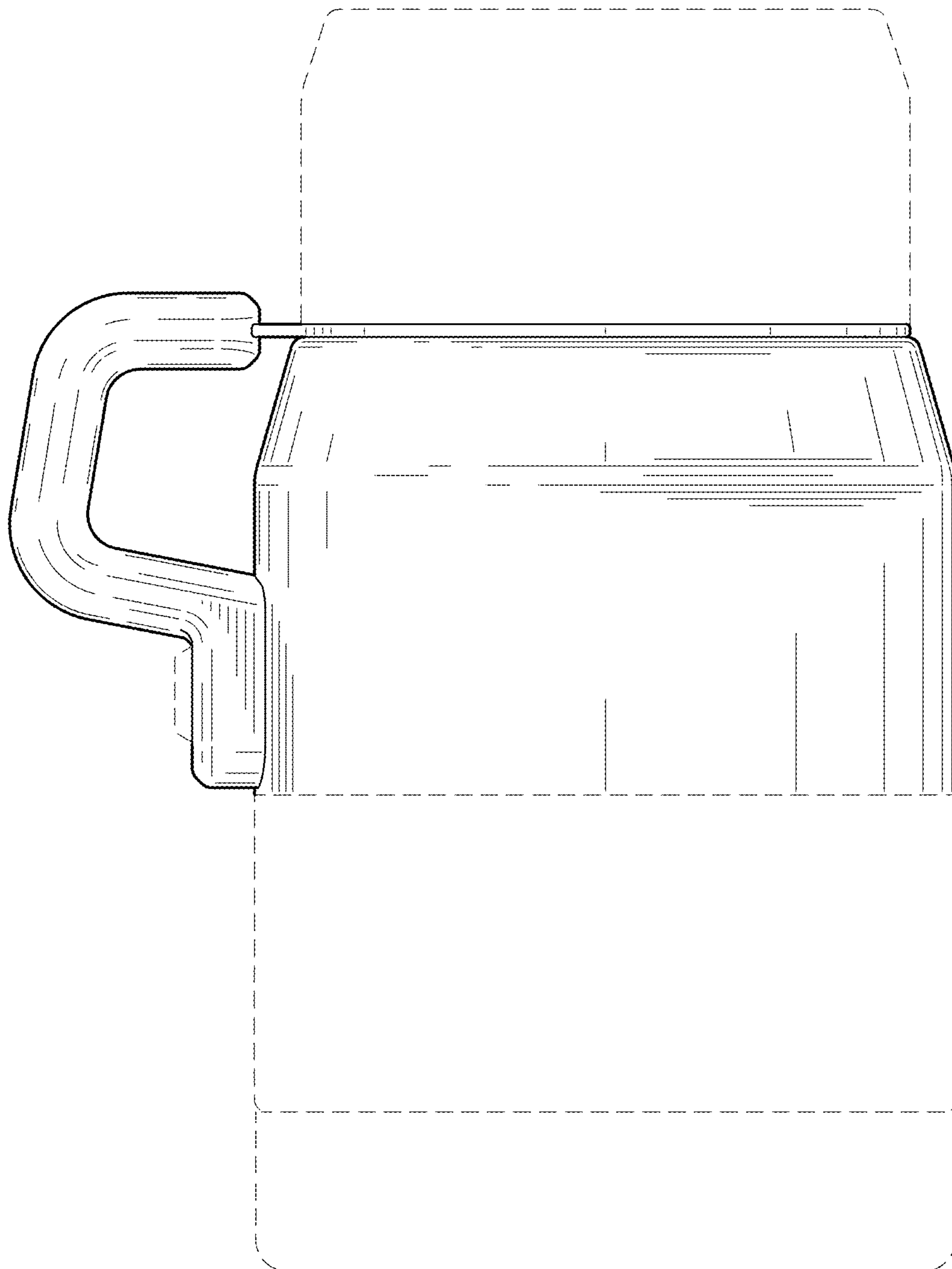


FIG. 22

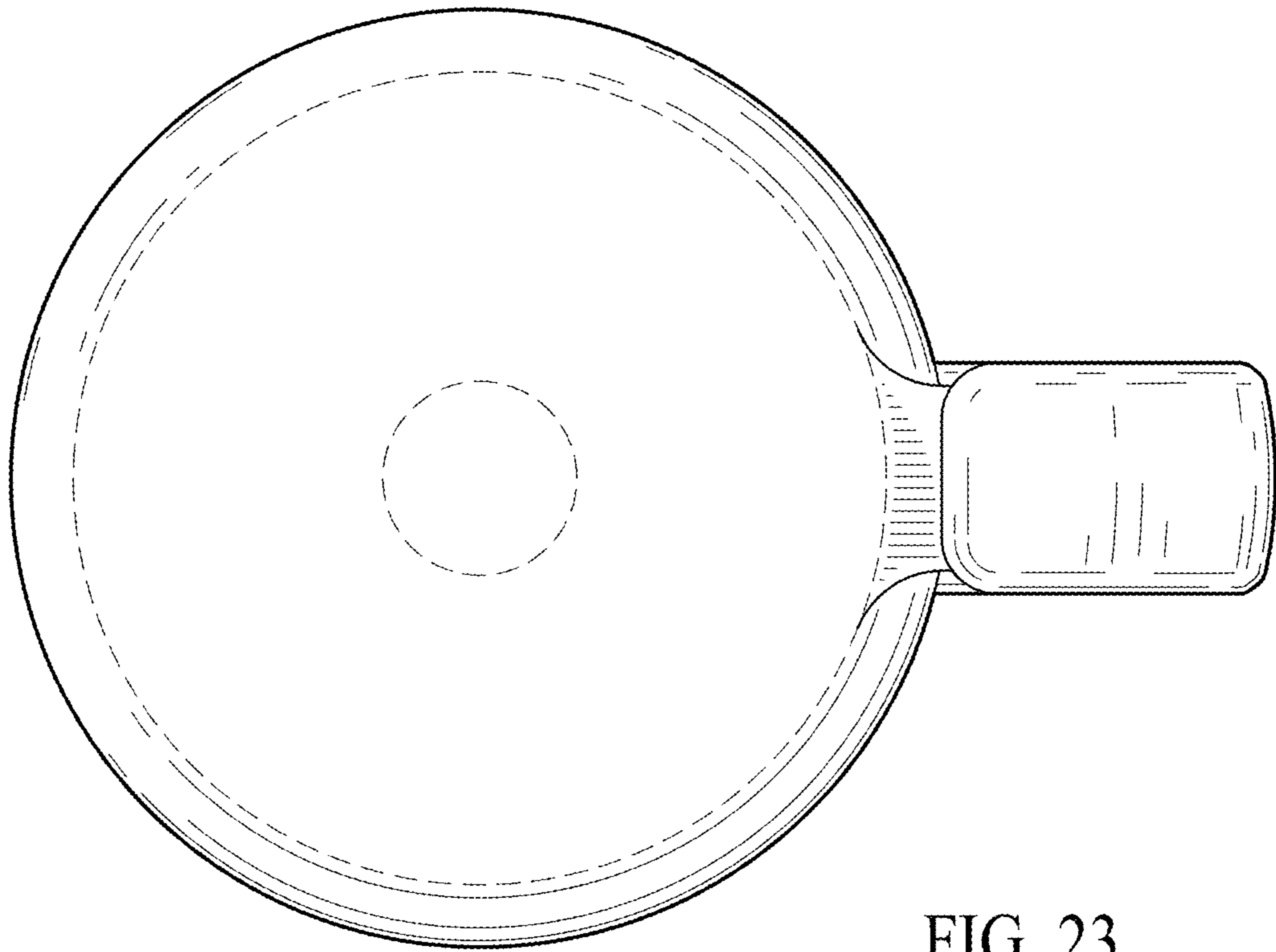


FIG. 23

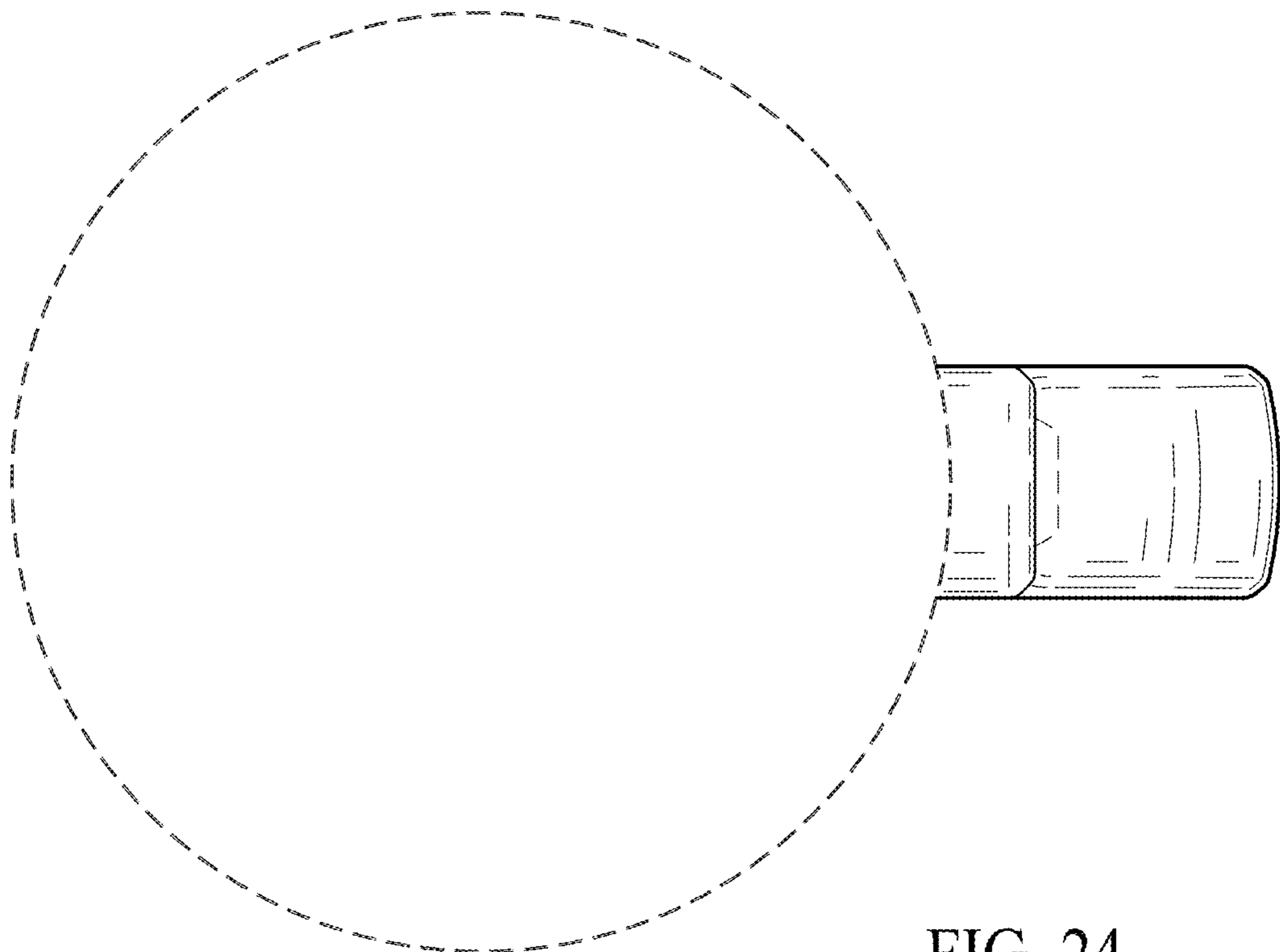


FIG. 24

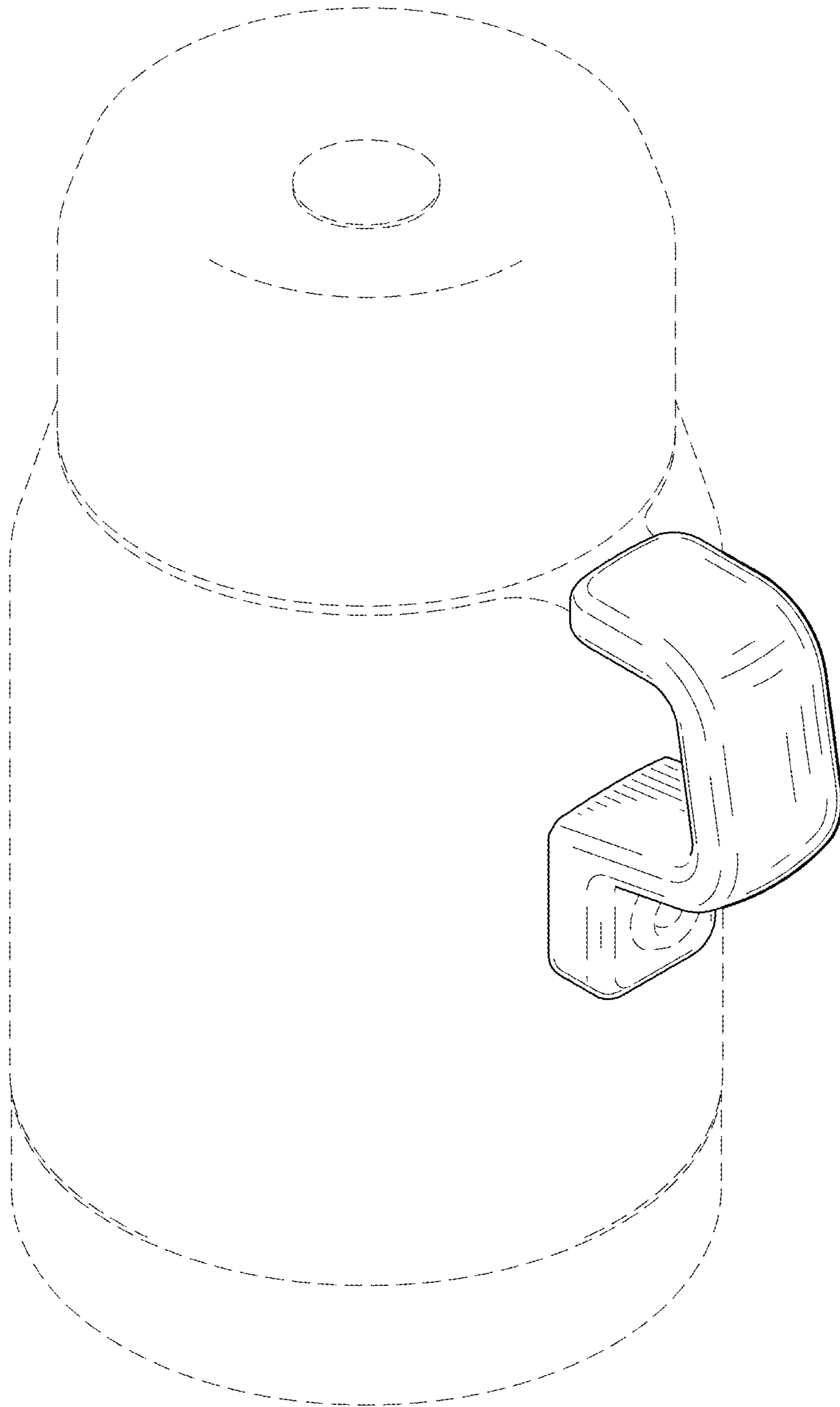


FIG. 25

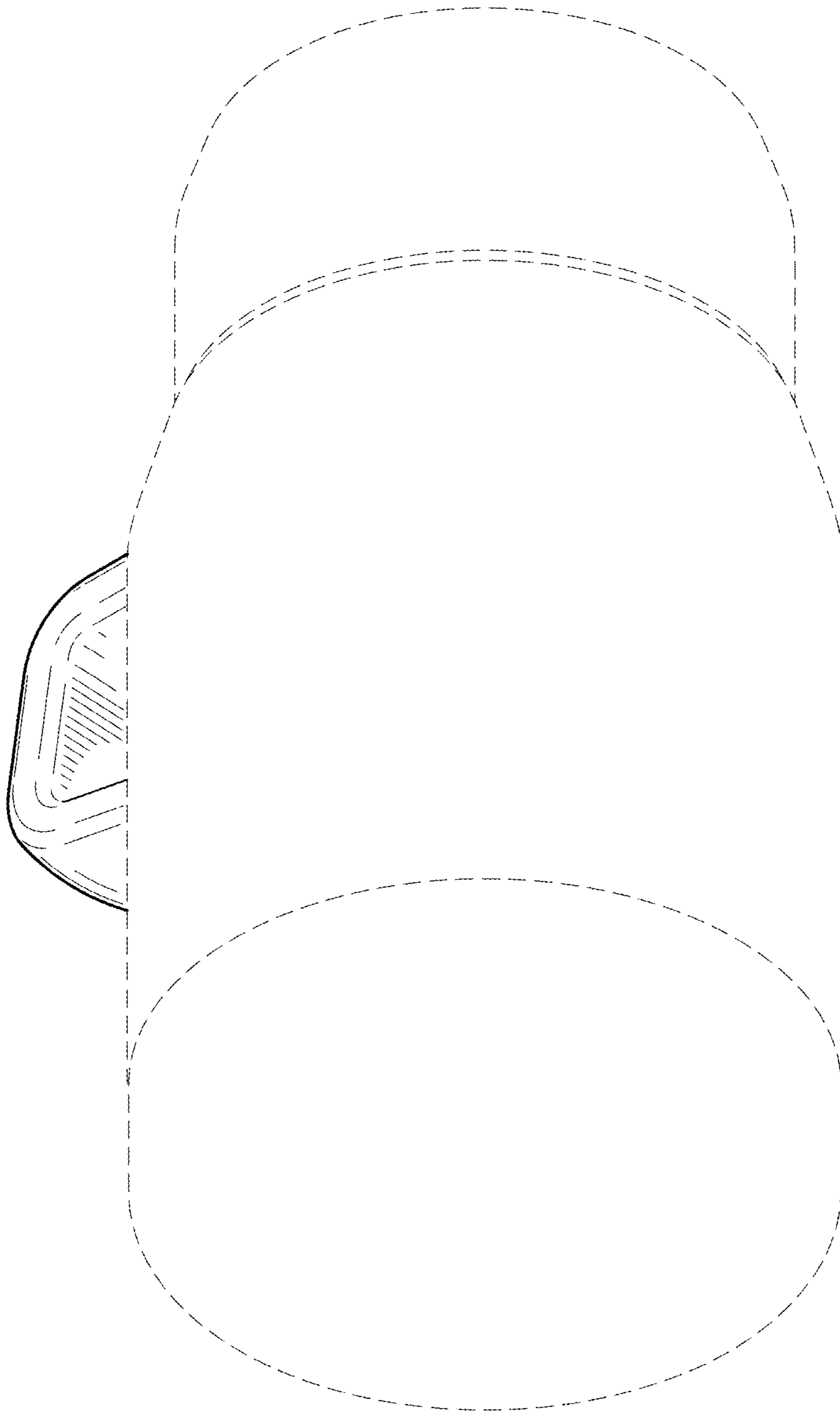


FIG. 26

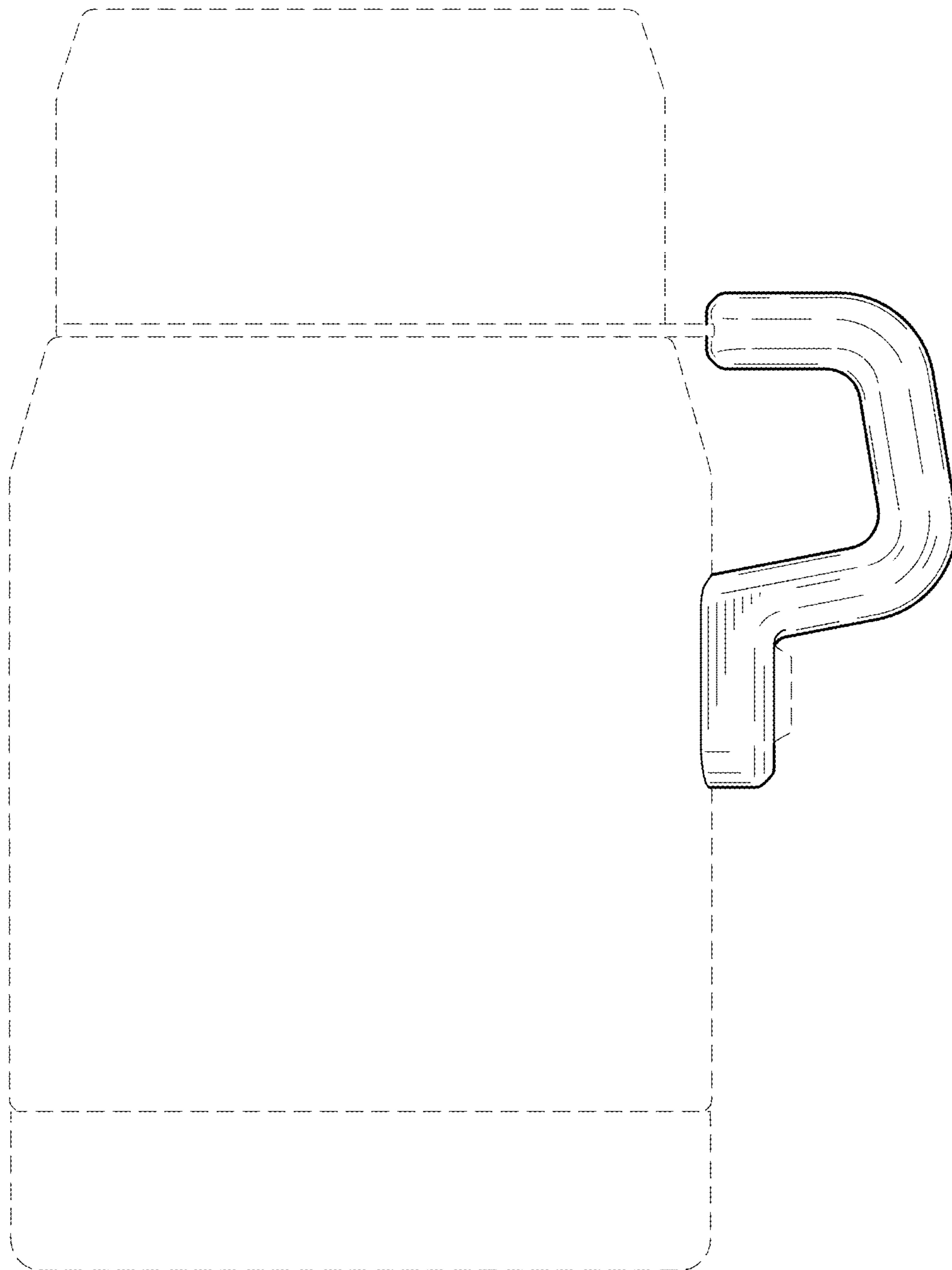


FIG. 27

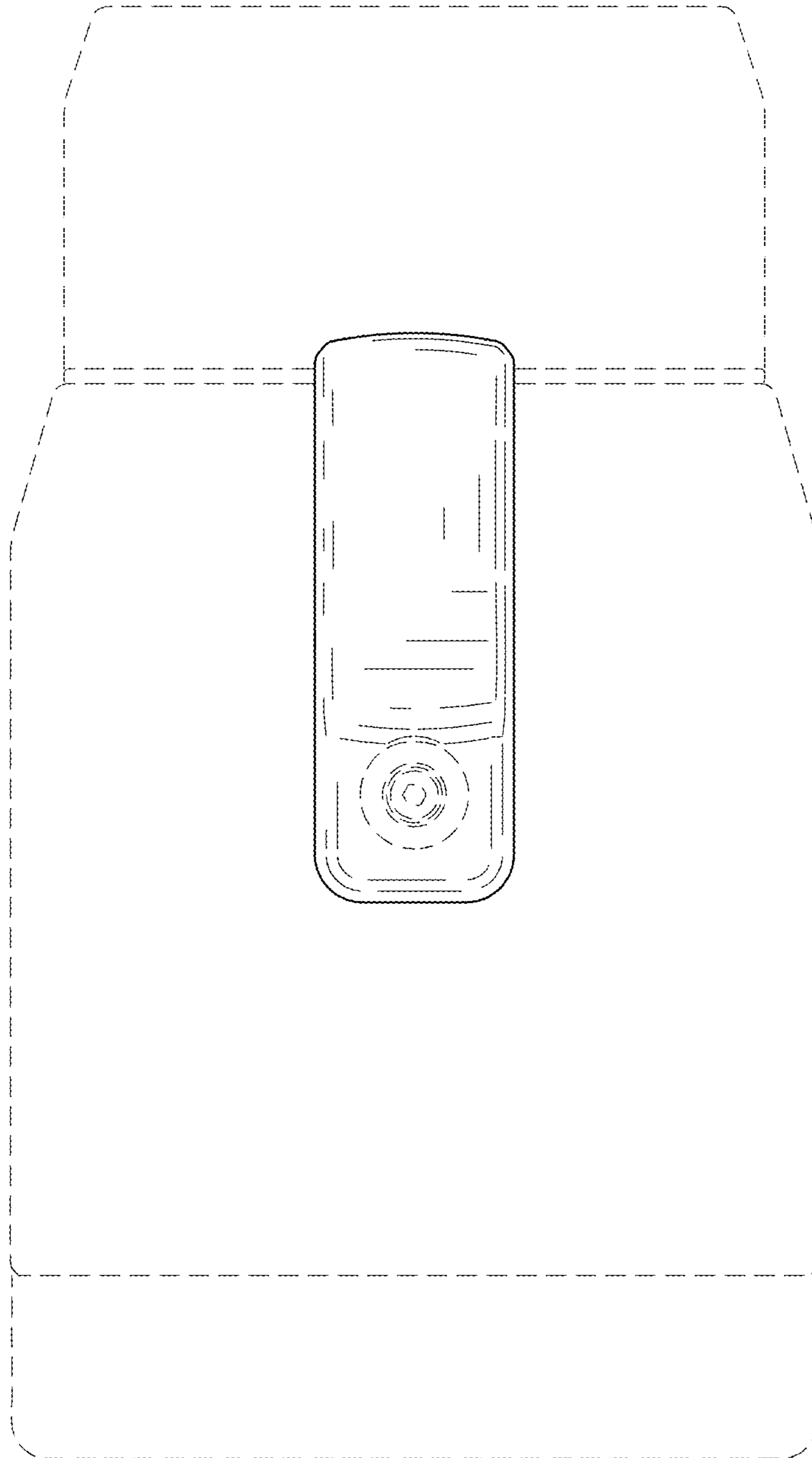


FIG. 28

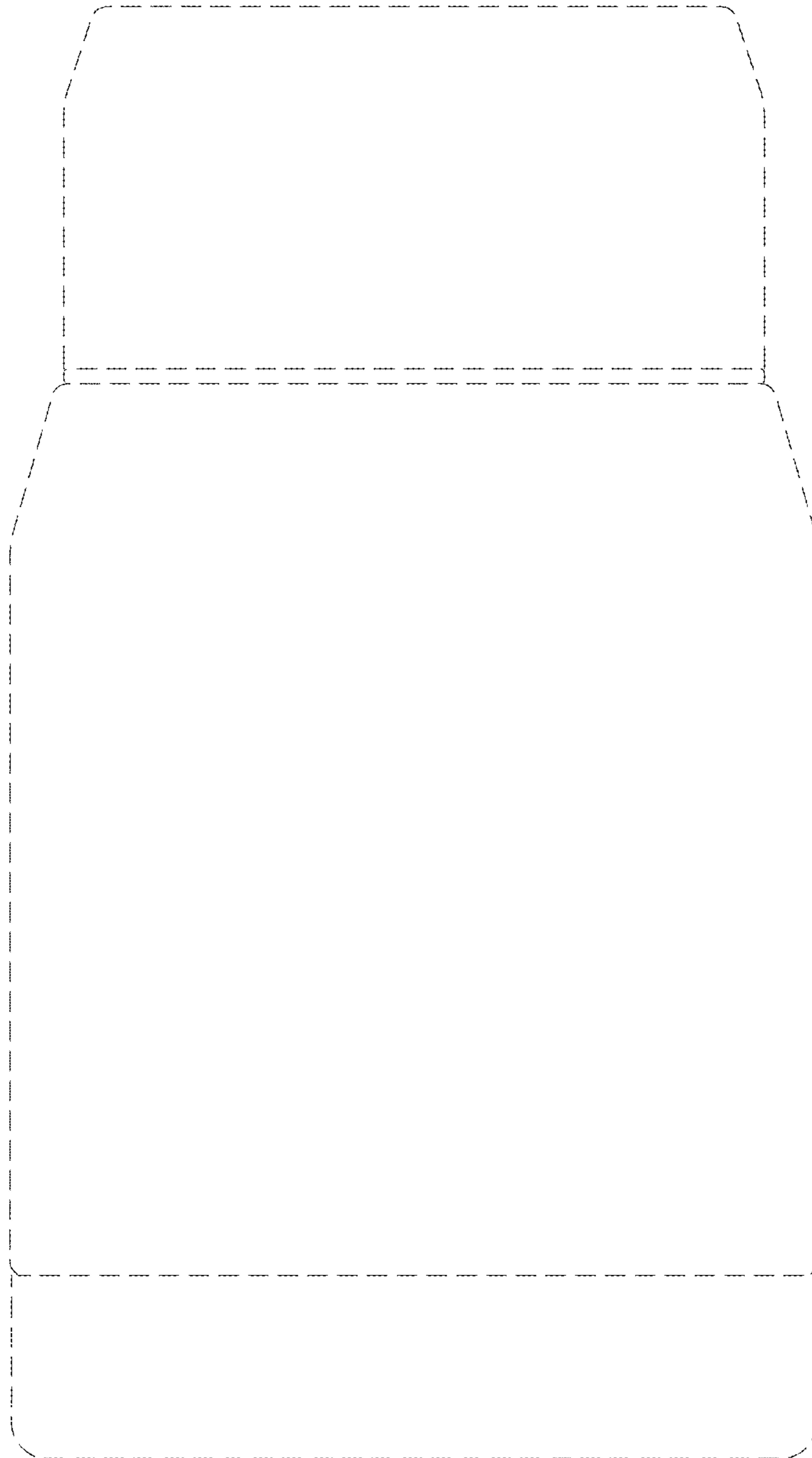


FIG. 29

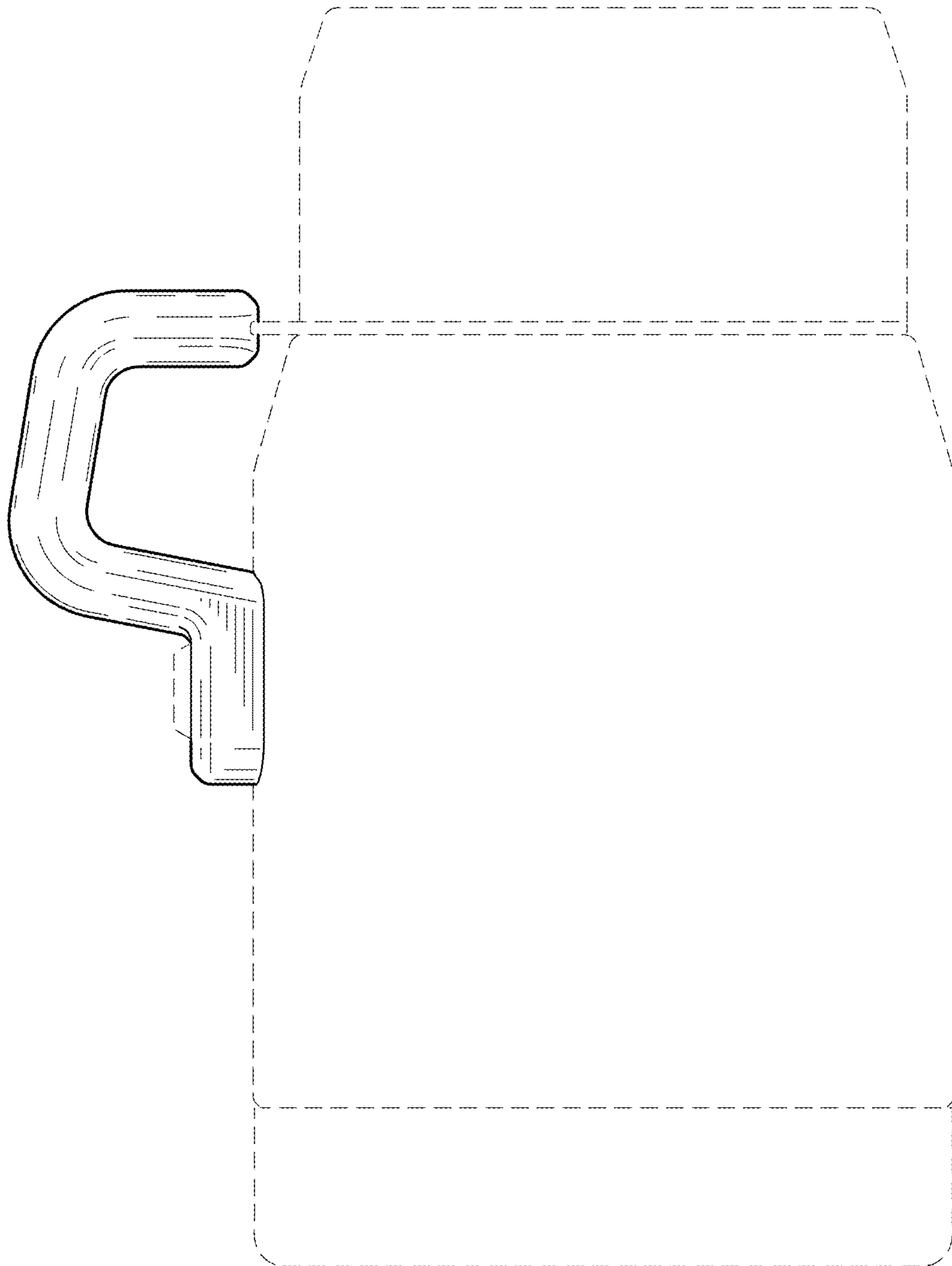


FIG. 30

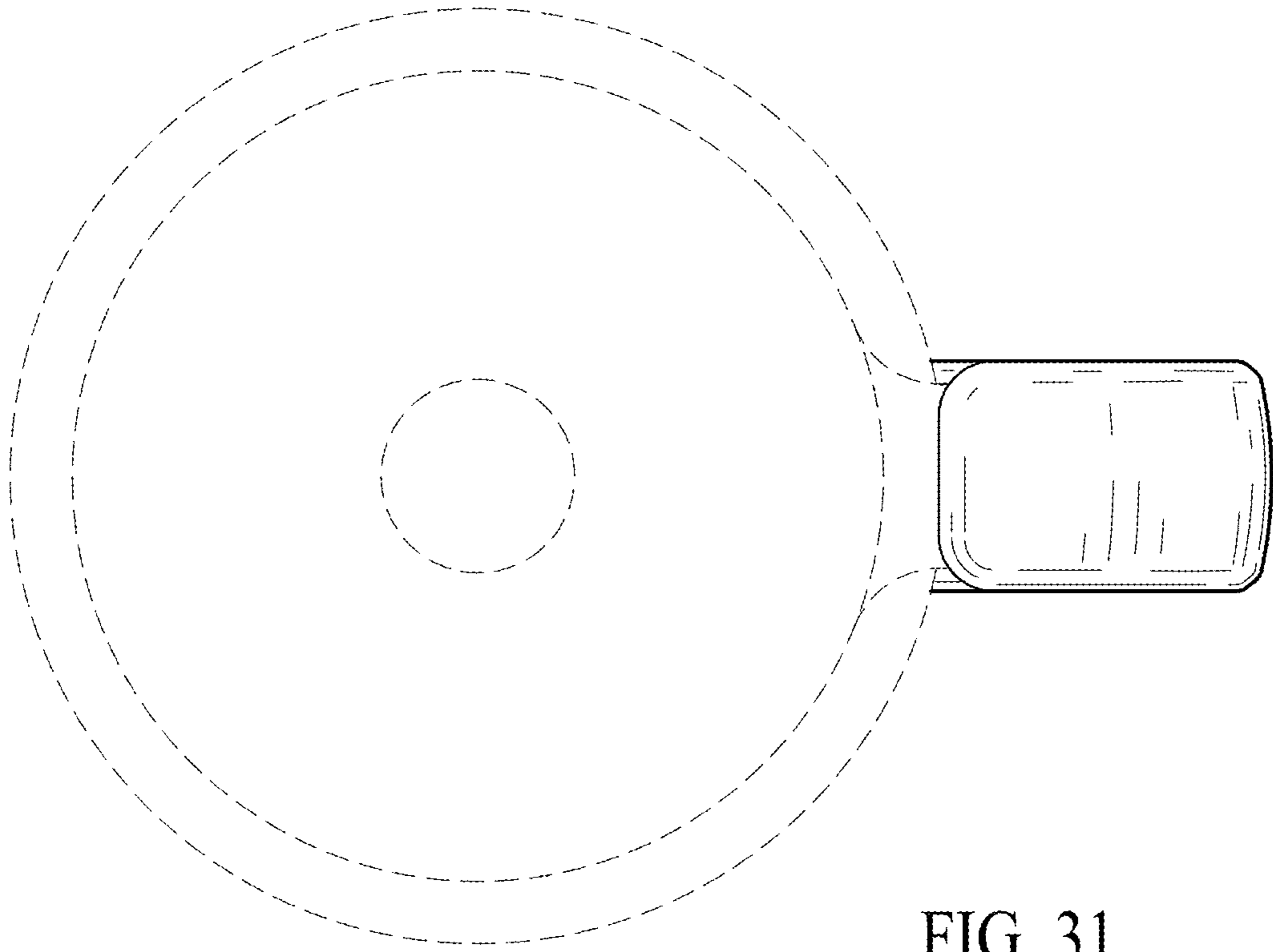


FIG. 31

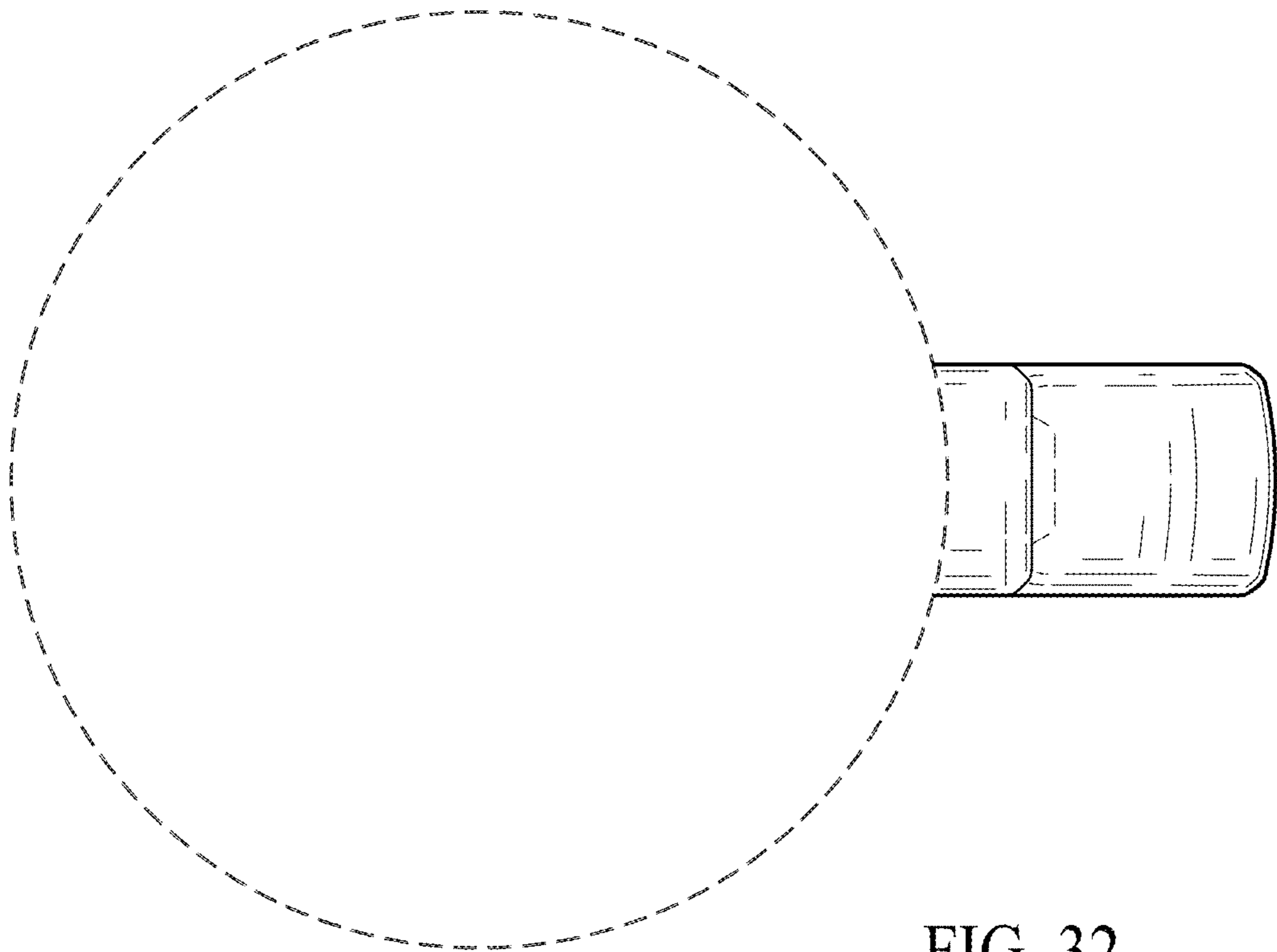


FIG. 32