



US00D880255S

(12) **United States Design Patent**
Randall

(10) **Patent No.:** **US D880,255 S**

(45) **Date of Patent:** **** Apr. 7, 2020**

- (54) **DRINKING VESSEL HOLDER**
- (71) Applicant: **Sean Gordon Randall**, Gold Coast (AU)
- (72) Inventor: **Sean Gordon Randall**, Gold Coast (AU)
- (**) Term: **15 Years**
- (21) Appl. No.: **29/668,619**
- (22) Filed: **Oct. 31, 2018**
- (51) **LOC (12) Cl.** **07-01**
- (52) **U.S. Cl.**
USPC **D7/624.2; D7/607**
- (58) **Field of Classification Search**
USPC D7/601, 605, 607, 608, 619.1, 624.2; D9/444
CPC .. F25D 3/08; B65D 25/30; B65D 7/24; B65D 81/3876; B65D 81/3879; B65D 23/104; B65D 81/38; B65D 81/3886; B65D 81/3883; B65D 81/3881; B65D 83/00; B65D 25/04; A45C 11/20; A47G 23/0216; A47G 23/0225; A47G 19/2288; A47G 23/0241; A47G 2023/0291; A47G 23/02; A47G 19/06; A47G 19/22; A45F 2200/0583; A61F 7/10; B31D 5/0086; A47C 7/62; B62B 9/26; B65F 1/06; F17C 13/001

- 5,915,580 A * 6/1999 Melk B65D 23/08 215/386
- D666,060 S * 8/2012 Welch D7/606
- D738,727 S * 9/2015 McConnell D9/499
- 2009/0294463 A1 * 12/2009 Stack B65D 1/3879 220/739

* cited by examiner

Primary Examiner — Terry A Wallace
(74) *Attorney, Agent, or Firm* — Michael Buck IP.

See application file for complete search history.

(56) **References Cited**

U.S. PATENT DOCUMENTS

- D266,305 S * 9/1982 Scheurer D7/605
- 4,871,597 A * 10/1989 Hobson B32B 27/12 428/36.1

(57) **CLAIM**

The ornamental design for a drinking vessel holder, as shown and described.

DESCRIPTION

FIG. 1 is a front side elevation view of a drinking vessel holder

FIG. 2 is a rear side elevation view of the drinking vessel holder of FIG. 1.

FIG. 3 is a perspective view of the drinking vessel holder of FIG. 1, partially opened.

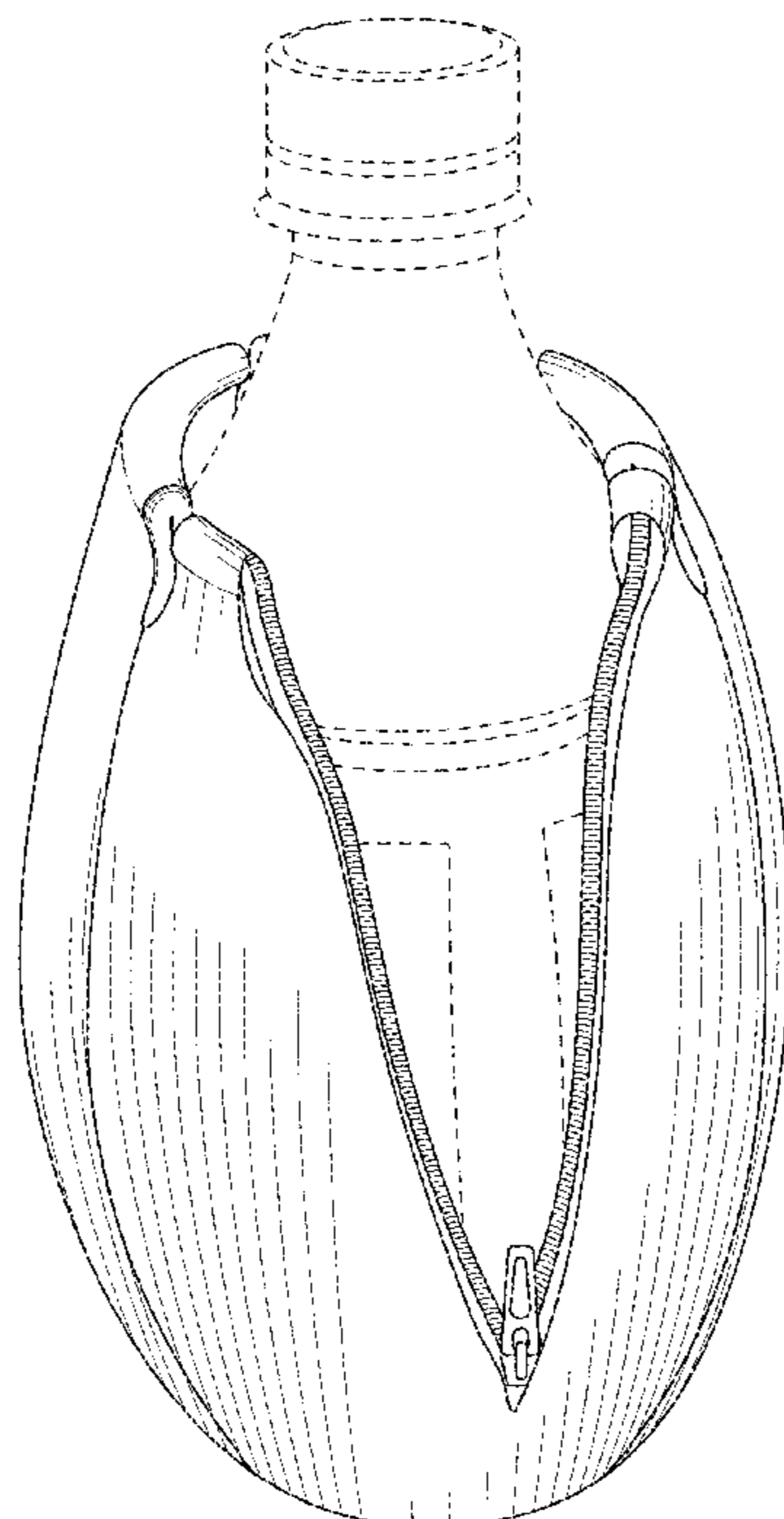
FIG. 4 is a top view of the drinking vessel holder of FIG. 1.

FIG. 5 is a bottom view of the drinking vessel holder of FIG. 1; and,

FIG. 6 is a perspective view of the drinking vessel holder of FIG. 3.

The broken lines in FIGS. 1-4 and 6 are illustrative of environment, depicting a drinking vessel and human fingers which are not intended to form a part of the claimed design.

1 Claim, 6 Drawing Sheets



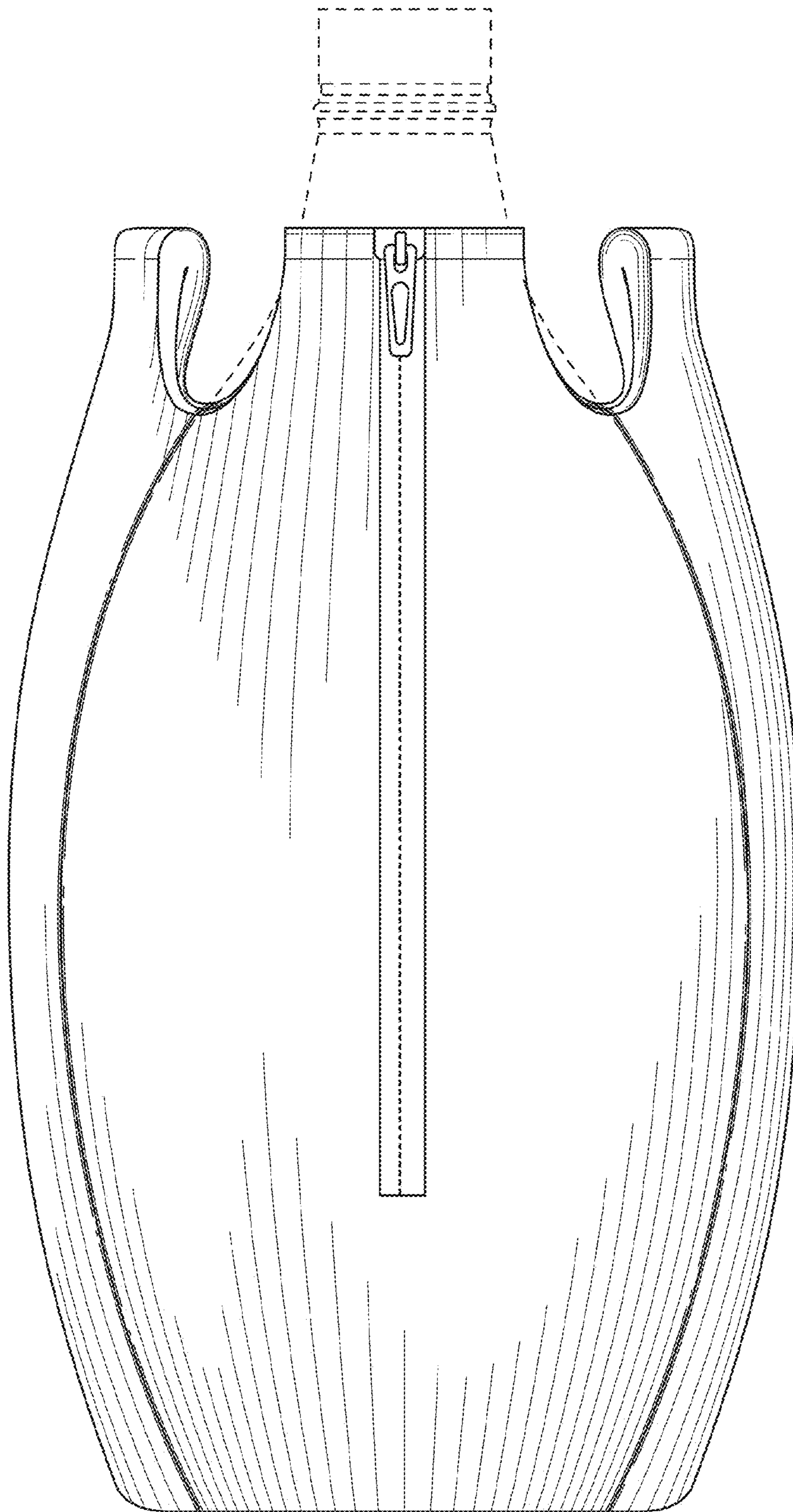


FIG. 1

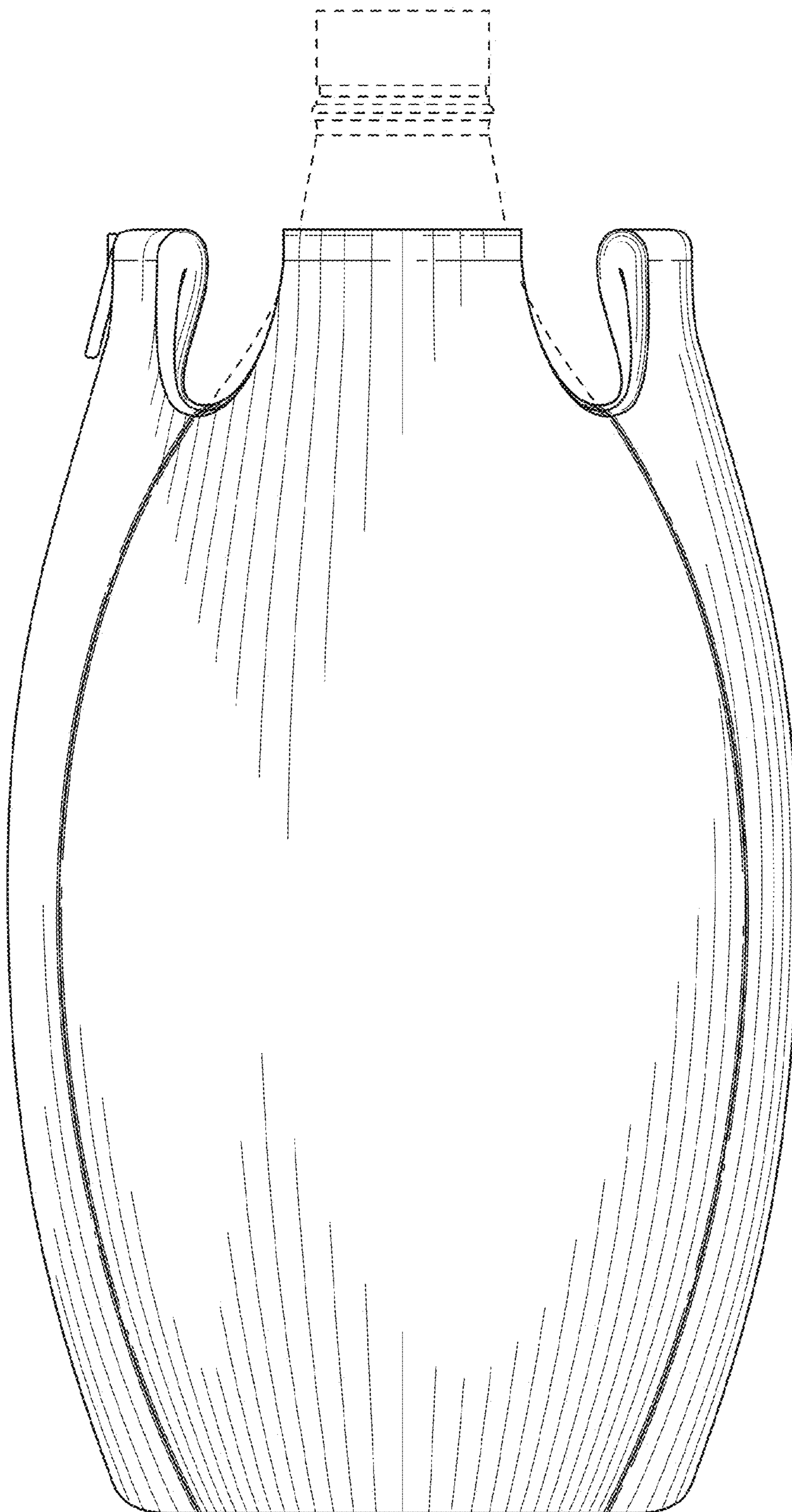


FIG. 2

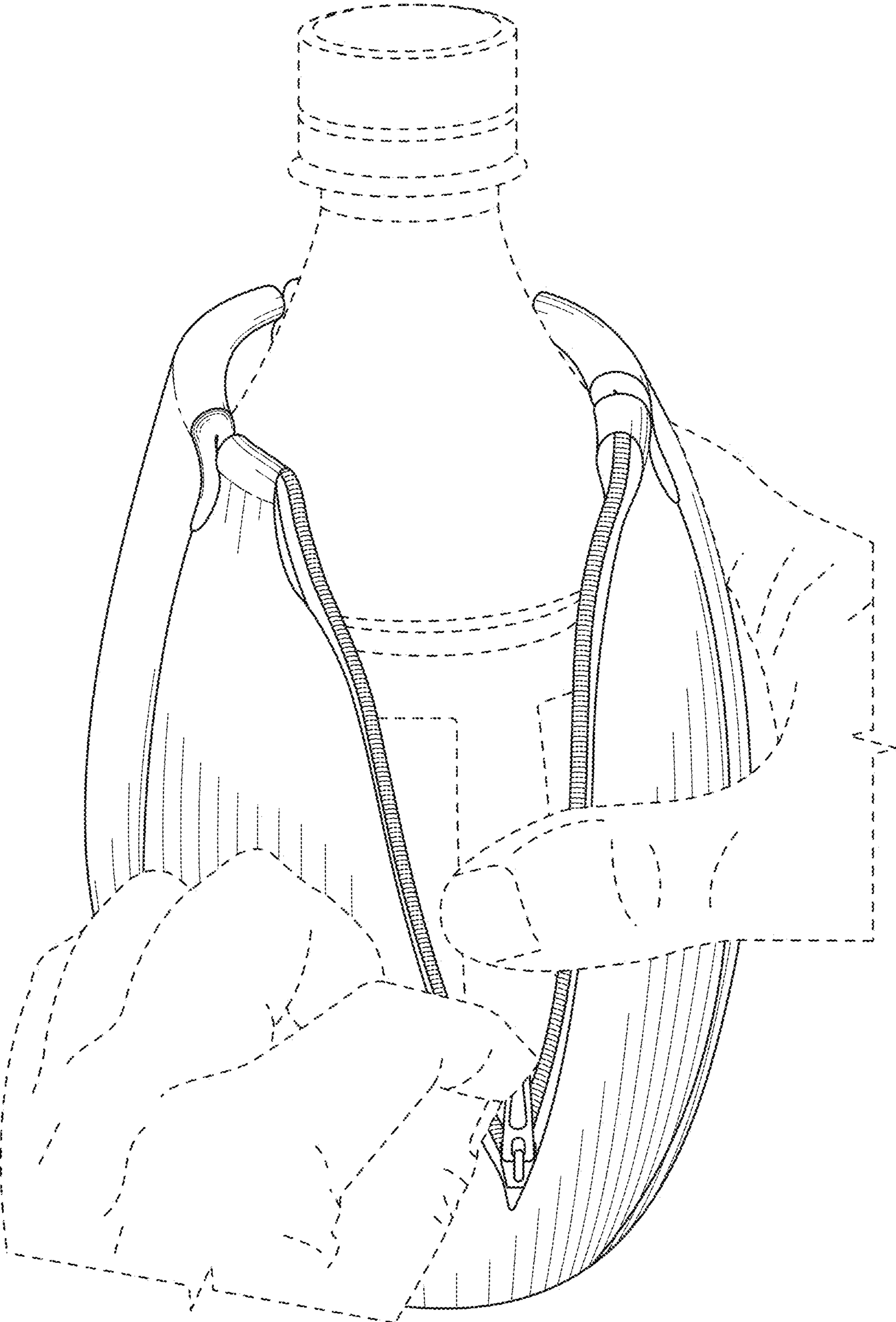


FIG. 3

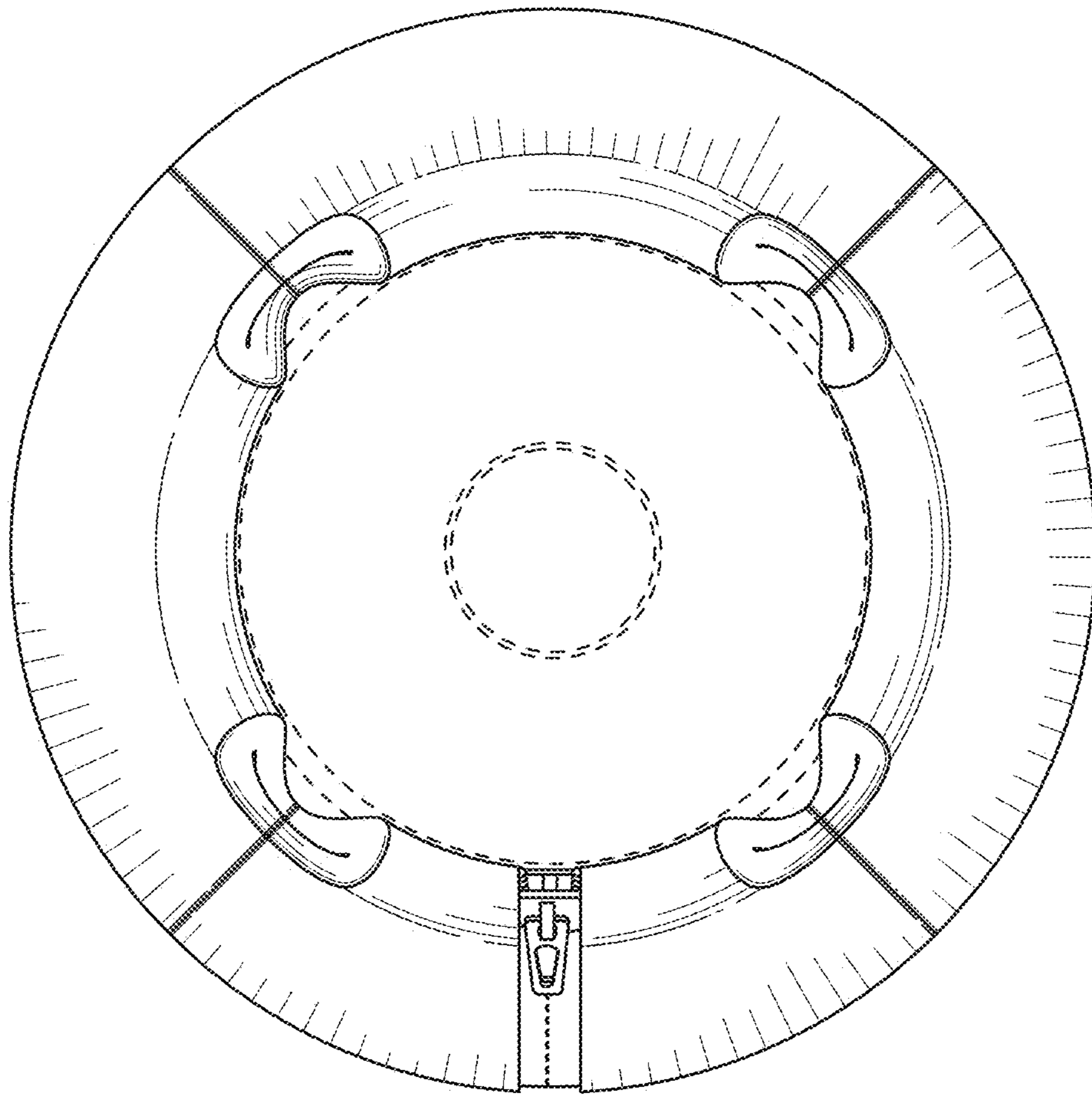


FIG. 4

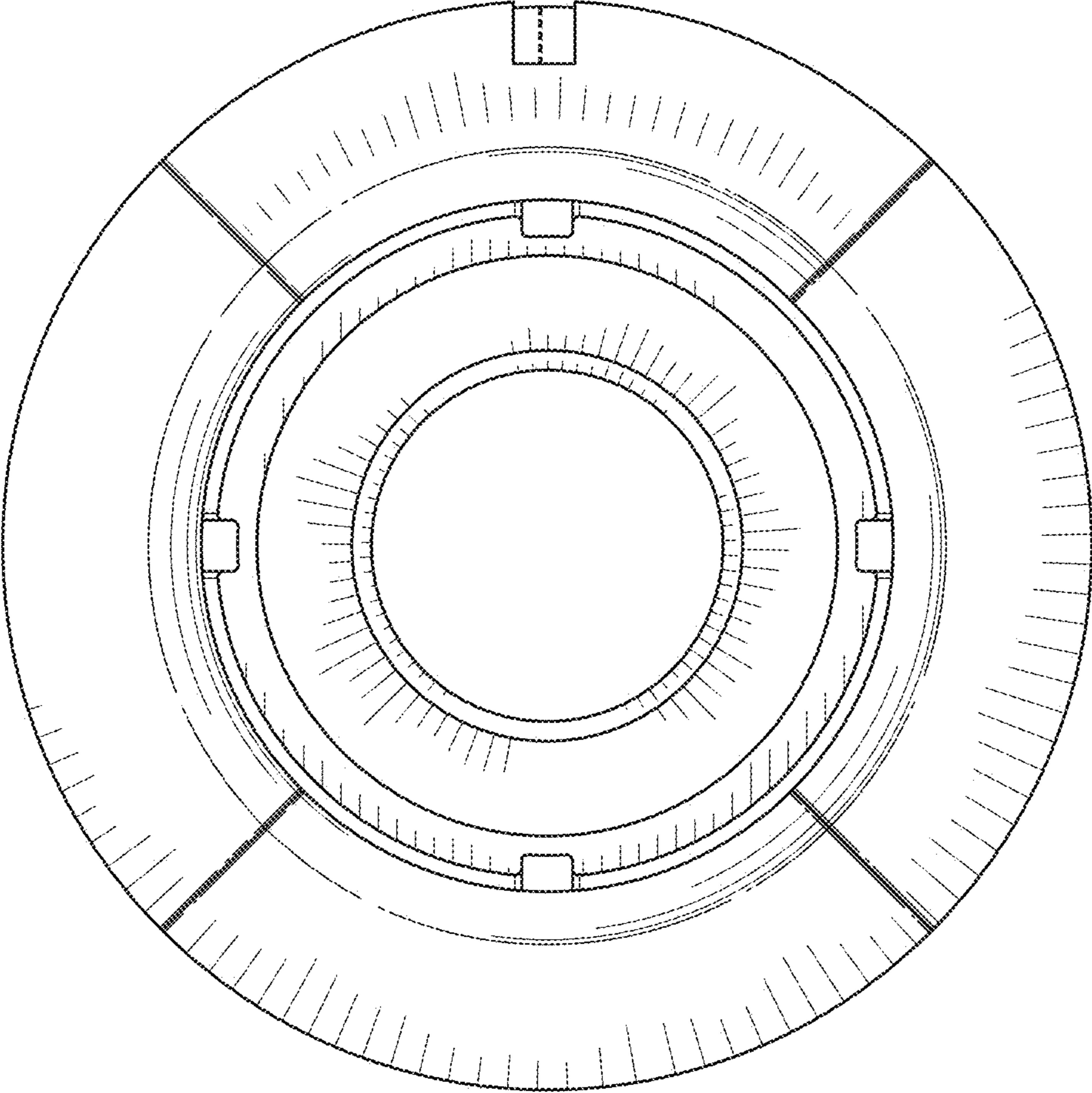


FIG. 5

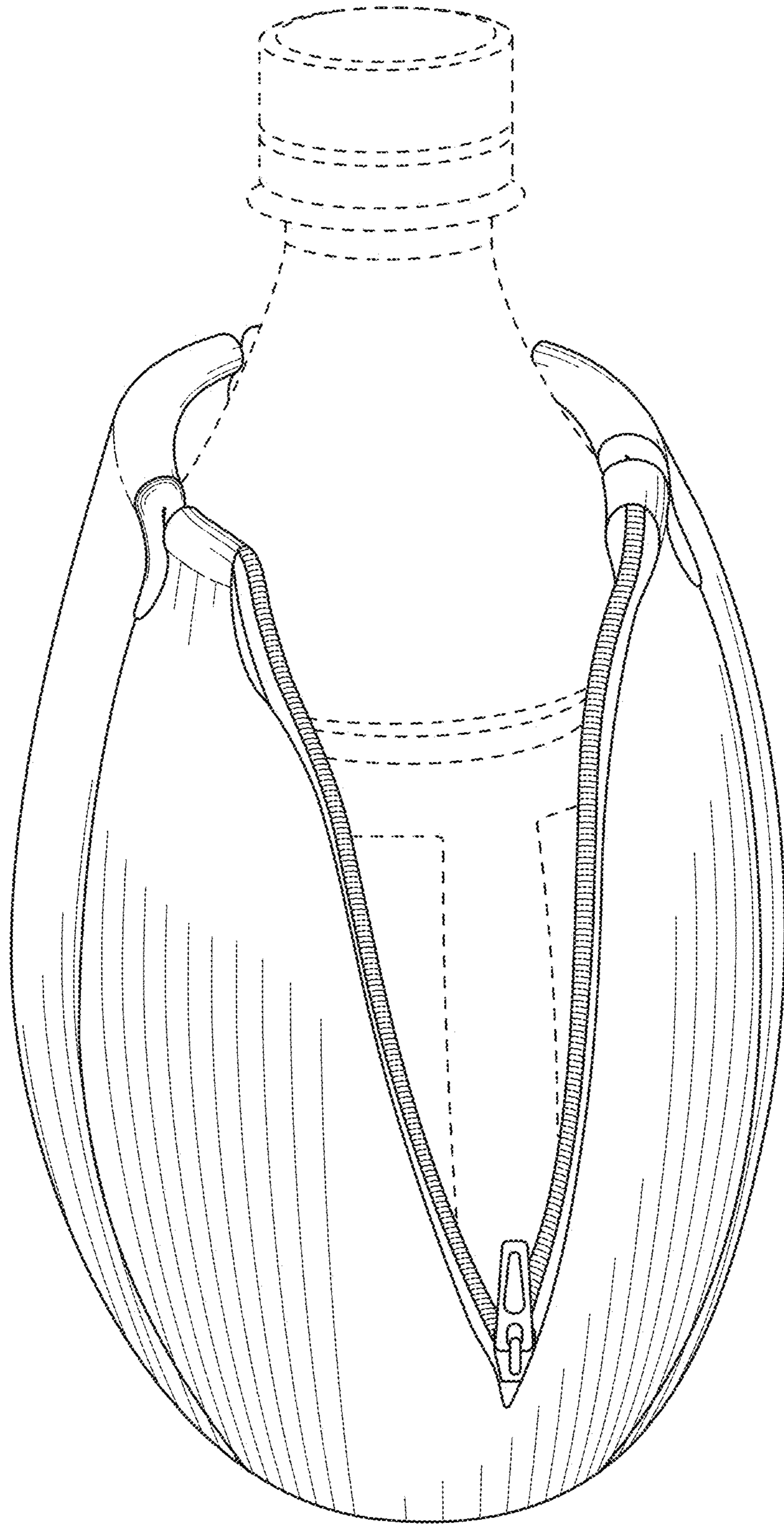


FIG. 6