



US00D880254S

(12) **United States Design Patent**  
**Jacobsen**

(10) **Patent No.:** **US D880,254 S**  
(45) **Date of Patent:** **\*\* Apr. 7, 2020**

(54) **COOLER**

- (71) Applicant: **RTIC IP, LLC**, Houston, TX (US)
- (72) Inventor: **James Matthew Jacobsen**, Houston, TX (US)
- (73) Assignee: **RTIC IP, LLC**, Houston, TX (US)
- (\*\*) Term: **15 Years**

(21) Appl. No.: **29/667,280**

(22) Filed: **Oct. 19, 2018**

**Related U.S. Application Data**

(63) Continuation of application No. 29/617,847, filed on Sep. 15, 2017, now Pat. No. Des. 836,996.

(51) **LOC (12) Cl.** ..... **07-01**

(52) **U.S. Cl.**  
USPC ..... **D7/607; D7/605**

(58) **Field of Classification Search**

USPC ..... D7/603–608, 709, 710, 629; D3/283, D3/287, 289, 233, 267, 268, 273, 276, D3/315, 318

CPC ..... F25D 2331/804; F25D 2331/801; F25D 3/08; B65D 30/08; B65D 30/22; B65D 81/3858; B65D 81/3828; B65D 81/3888; B65D 81/18; B65D 81/3897; B65D 31/04; B65D 53/00; B65D 69/00; B65D 8/18; A45C 11/20; A45C 13/02; A45F 3/02; A45F 3/12; A45F 3/14; A45F 3/04; A45F 4/02

See application file for complete search history.

(56) **References Cited**

**U.S. PATENT DOCUMENTS**

- 4,050,264 A \* 9/1977 Tanaka ..... F25D 3/08 62/457.2
- 4,537,313 A \* 8/1985 Workman ..... A47J 47/145 206/545
- D289,597 S \* 5/1987 Averitt ..... D7/605

(Continued)

**OTHER PUBLICATIONS**

'4imprint.com' [online]. "Arctic Zone 18-Can Workman's Pro Cooler," published on or before Sep. 7, 2017, Retrieved from the Internet: URL<[https://www.4imprint.com/product/123559?gclid=EAlaIqobChMIopypl-301gIVWbbACh31AQYaEakYCCABEgLH\\_PD\\_BwE&gfeed=1](https://www.4imprint.com/product/123559?gclid=EAlaIqobChMIopypl-301gIVWbbACh31AQYaEakYCCABEgLH_PD_BwE&gfeed=1)&mkid=1pla123559&ef\_id=WBjIgwAABdq@EZ0U:20171016094453:s>. 2 pages.

(Continued)

*Primary Examiner* — Terry A Wallace

(74) *Attorney, Agent, or Firm* — Fish & Richardson P.C.

(57) **CLAIM**

The ornamental design for a cooler, as shown and described.

**DESCRIPTION**

FIG. 1 is a perspective view of a cooler showing my new design in a closed position.

FIG. 2 is a top view of the cooler in a closed position.

FIG. 3 is a bottom view of the cooler in a closed position.

FIG. 4 is a front view of the cooler in a closed position.

FIG. 5 is a rear view of the cooler in a closed position.

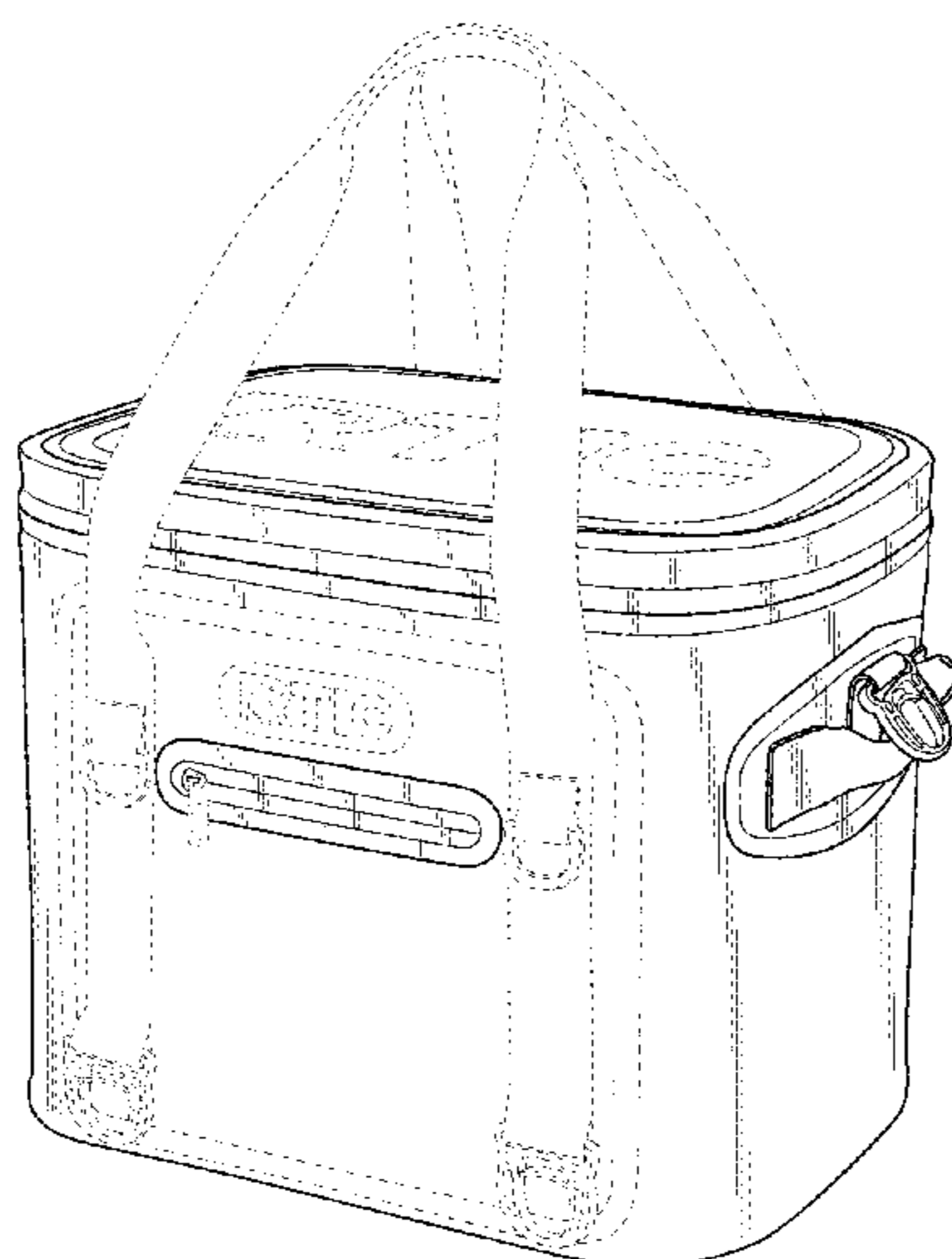
FIG. 6 is a right side view of the cooler in a closed position.

FIG. 7 is a left side view of the cooler in a closed position; and,

FIG. 8 is a perspective view of the cooler in an opened position.

The inside of the lower body portion of the cooler is unclaimed, surface shading and contour lines in the drawings represent surface and contour and do not illustrate material, surface ornamentations, or surface decoration and the broken lines in the drawings form no part of the claimed design.

**1 Claim, 4 Drawing Sheets**



(56)

References Cited

U.S. PATENT DOCUMENTS

4,805,776 A \* 2/1989 Namgyal ..... A45C 3/00  
206/523  
D311,476 S \* 10/1990 Kumakura ..... D7/605  
D340,840 S \* 11/1993 Melk ..... D3/283  
5,329,787 A 7/1994 Friday  
5,421,172 A 6/1995 Jones  
D371,052 S \* 6/1996 Melk ..... D7/607  
D371,942 S \* 7/1996 Lippincott ..... D7/607  
D387,626 S \* 12/1997 Melk ..... D7/605  
6,238,091 B1 \* 5/2001 Mogil ..... A45C 7/0077  
383/110  
D465,134 S \* 11/2002 Joss ..... D3/287  
6,474,097 B2 \* 11/2002 Treppedi ..... A45C 11/20  
280/30  
7,162,890 B2 1/2007 Mogil et al.  
7,240,513 B1 \* 7/2007 Conforti ..... A45C 13/02  
62/457.2  
D573,422 S \* 7/2008 Tagliati ..... D3/287  
D575,059 S 8/2008 Cappeillo et al.  
7,669,436 B2 \* 3/2010 Mogil ..... A45C 11/20  
62/457.7  
7,730,739 B2 \* 6/2010 Fuchs ..... A45C 11/20  
62/457.7  
8,327,659 B2 12/2012 Winkler et al.  
8,348,510 B2 \* 1/2013 Mogil ..... A45C 5/02  
383/105  
D692,661 S \* 11/2013 Gupton, Jr. .... D3/279  
D732,348 S 6/2015 Seiders et al.  
D732,349 S 6/2015 Seiders et al.  
D732,350 S 6/2015 Seiders et al.  
D732,899 S 6/2015 Seiders et al.  
9,139,352 B2 9/2015 Seiders et al.  
D752,347 S 3/2016 Seiders et al.  
D762,384 S \* 8/2016 Boroski ..... D3/283  
D768,378 S \* 10/2016 Schilp ..... D3/232  
9,491,994 B2 11/2016 Sherr  
D786,559 S 5/2017 Seiders et al.  
D786,560 S 5/2017 Seiders et al.  
D786,561 S 5/2017 Seiders et al.  
D786,562 S 5/2017 Seiders et al.  
D787,187 S 5/2017 Seiders et al.  
D797,454 S 9/2017 Seiders et al.  
D797,455 S 9/2017 Seiders et al.  
D798,670 S 10/2017 Seiders et al.  
D799,276 S 10/2017 Seiders et al.  
D799,277 S 10/2017 Seiders et al.  
D800,444 S \* 10/2017 Burton ..... D3/203.1  
D801,123 S 10/2017 Seiders et al.  
D802,373 S 11/2017 Seiders et al.  
D814,879 S 4/2018 Larson et al.  
D829,244 S 9/2018 Sullivan et al.  
D836,996 S 1/2019 Jacobsen  
D839,682 S 2/2019 Jacobsen  
D840,761 S 2/2019 Seiders et al.  
D840,762 S 2/2019 Seiders et al.  
D840,763 S 2/2019 Seiders et al.  
D840,764 S 2/2019 Seiders et al.  
D859,934 S 9/2019 Seiders et al.  
D862,177 S 10/2019 Seiders et al.  
D862,528 S 10/2019 Sullivan et al.  
2005/0205459 A1 \* 9/2005 Mogil ..... A45C 11/20  
206/545  
2007/0237432 A1 \* 10/2007 Mogil ..... A45C 7/0077  
383/38  
2009/0049859 A1 \* 2/2009 Moon ..... A45C 11/20  
62/457.7  
2013/0140120 A1 \* 6/2013 Rasmussen ..... A45C 7/005  
190/109

OTHER PUBLICATIONS

'amazon.com' [online]. "Arctic Zone Pro 30 (24+6) Can Zipperless Cooler," published on or before Sep. 7, 2017, Retrieved from the

Internet: URL<[https://www.amazon.com/Arctic-Zone-Pro-Zipperless-Cooler/dp/B00L2KV718/ref=sr\\_1\\_80?ie=UTF8&qid=1508149767&sr=8-80&keywords=soft+cooler](https://www.amazon.com/Arctic-Zone-Pro-Zipperless-Cooler/dp/B00L2KV718/ref=sr_1_80?ie=UTF8&qid=1508149767&sr=8-80&keywords=soft+cooler)>. 9 pages.

'amazon.com' [online]. "Buzio 36-Can Portable Soft Cooler (Keeps Ice up to 3 Days!) for Boating, Camping, Hiking, Gray," published on or before Sep. 7, 2017, Retrieved from the Internet: URL<[https://www.amazon.com/36-Can-Portable-Cooler-Boating-Camping/dp/B073ZWLKHC/ref=sr\\_1\\_194\\_sspa?ie=UTF8&qid=1508149853&sr=8-194-spons&keywords=soft+cooler&psc=1](https://www.amazon.com/36-Can-Portable-Cooler-Boating-Camping/dp/B073ZWLKHC/ref=sr_1_194_sspa?ie=UTF8&qid=1508149853&sr=8-194-spons&keywords=soft+cooler&psc=1)>. 5 pages.

'amazon.com' [online]. "CleverMade SnapBasket 50 Can, Soft-Sided Collapsible Cooler: 30 Liter Insulated Tote Bag, Heathered Charcoal/Black," published on or before Sep. 7, 2017, Retrieved from the Internet: URL<[https://www.amazon.com/CleverMade-SnapBasket-Soft-Sided-Collapsible-Cooler/dp/B01KPW8ZEK/ref=sr\\_1\\_7?s=sporting-goods&ie=UTF8&qid=1508147864&sr=1-7&keywords=soft+sided+cooler](https://www.amazon.com/CleverMade-SnapBasket-Soft-Sided-Collapsible-Cooler/dp/B01KPW8ZEK/ref=sr_1_7?s=sporting-goods&ie=UTF8&qid=1508147864&sr=1-7&keywords=soft+sided+cooler)>. 8 pages.

'amazon.com' [online]. "Homitt 30 Cans Soft Pack Cooler Insulated Soft Sided Cooler with Hard Liner and Heavy Duty Waterproof TPU Material for Taking Lunch, Camping, Sea Fishing, Daily Trip to Beach, Family Picnic, etc." published on or before Sep. 7, 2017, Retrieved from the Internet: URL<[https://www.amazon.com/Homitt-Insulated-Waterproof-Material-Camping/dp/B06ZZ36L69/ref=sr\\_1\\_21?s=sporting-goods&ie=UTF8&qid=1508147889&sr=1-21&keywords=soft+sided+cooler](https://www.amazon.com/Homitt-Insulated-Waterproof-Material-Camping/dp/B06ZZ36L69/ref=sr_1_21?s=sporting-goods&ie=UTF8&qid=1508147889&sr=1-21&keywords=soft+sided+cooler)>. 10 pages.

'amazon.com' [online]. "Nelson-Rigg RG-006 Black Mountable Insulated Cooler Bag, 12 Pack," published on or before Sep. 7, 2017, Retrieved from the Internet: URL<[https://www.amazon.com/Nelson-Rigg-RG-006-Mountable-Insulated-Cooler/dp/B018AXNLYU/ref=sr\\_1\\_286?ie=UTF8&qid=1508150124&sr=8-286&keywords=soft+cooler](https://www.amazon.com/Nelson-Rigg-RG-006-Mountable-Insulated-Cooler/dp/B018AXNLYU/ref=sr_1_286?ie=UTF8&qid=1508150124&sr=8-286&keywords=soft+cooler)>. 7 pages.

'amazon.com' [online]. "Polar Bear Coolers Nylon Series Soft Cooler Tote Size 12 Pack Green & Fit & Fresh Cool Coolers Slim Ice 4-Pack (Bundle)," published on or before Sep. 7, 2017, Retrieved from the Internet: URL<[https://www.amazon.com/Polar-Bear-Coolers-Fit-Fresh/dp/B071X7K1CB/ref=sr\\_1\\_287?ie=UTF8&qid=1508150124&sr=8-287&keywords=soft+cooler](https://www.amazon.com/Polar-Bear-Coolers-Fit-Fresh/dp/B071X7K1CB/ref=sr_1_287?ie=UTF8&qid=1508150124&sr=8-287&keywords=soft+cooler)>. 5 pages.

'amazon.com' [online]. "Silver Lake Cooler Bag (24 can S, Grey / Yellow)" published on or before Sep. 7, 2017, Retrieved from the Internet: URL<[https://www.amazon.com/Silver-Lake-Cooler-Grey-Yellow/dp/B01N5PUKIP/ref=sr\\_1\\_87?s=sporting-goods&ie=UTF8&qid=1508147936&sr=1-87&keywords=soft+sided+cooler](https://www.amazon.com/Silver-Lake-Cooler-Grey-Yellow/dp/B01N5PUKIP/ref=sr_1_87?s=sporting-goods&ie=UTF8&qid=1508147936&sr=1-87&keywords=soft+sided+cooler)>. 6 pages.

'amazon.com' [online]. "Simple Modern 20 Liter Weekender Soft Cooler Bag—Caribbean Blue," published on or before Sep. 7, 2017, Retrieved from the Internet: URL<[https://www.amazon.com/Simple-Modern-Liter-Weekender-Cooler/dp/B073RYLC8X/ref=sr\\_1\\_55\\_sspa?s=sporting-goods&ie=UTF8&qid=1508147905&sr=1-55-spons&keywords=soft+sided+cooler&psc=1](https://www.amazon.com/Simple-Modern-Liter-Weekender-Cooler/dp/B073RYLC8X/ref=sr_1_55_sspa?s=sporting-goods&ie=UTF8&qid=1508147905&sr=1-55-spons&keywords=soft+sided+cooler&psc=1)>. 8 pages.

'cabelas.com' [online] "Cabela's 30-Can Soft-Sided Coolers," published on or before Sep. 7, 2017, Retrieved from the Internet: URL<<http://www.cabelas.com/product/Cabelas-Soft-Sided-Can-Cooler/2249004.uts>>. 1 page.

'calcuttaoutdoors.com' [online]. "Renegade Cooler—30L—Coolers—Gear | Calcutta Outdoors," published on or before Sep. 7, 2017, Retrieved from the Internet: URL<<http://www.calcuttaoutdoors.com/gear/coolers/renegade-cooler-30l.html>>. 3 pages.

'campersaver.com' [online]. "Browse Bison Coolers SoftPak 550100 +New Product," published on or before Sep. 7, 2017, Retrieved from the Internet: URL<[https://www.campersaver.com/bison-coolers-softpak.html?gclid=EAIAIQobChMIgY\\_Ew-301gIVUbjAChlXHAM5EAkYDiABEgK57fD\\_BwE](https://www.campersaver.com/bison-coolers-softpak.html?gclid=EAIAIQobChMIgY_Ew-301gIVUbjAChlXHAM5EAkYDiABEgK57fD_BwE)>. 3 pages.

'campingworld.com' [online]. "Caribou Soft-Sided Cooler—Camco 51913," published on or before Sep. 7, 2017, Retrieved from the Internet: URL<<http://www.campingworld.com/shopping/item/caribou-soft-sided-cooler/96698>>. 2 pages.

'engelcoolers.com' [online]. "32Qt Waterproof Soft Sided Bag," published on or before Sep. 7, 2017, Retrieved from the Internet: URL<<https://www.engelcoolers.com/enge1-32qt-orange-waterproof-softsided.html>>. 5 pages.

'filson.com' [online]. "Soft-Sided Lunch Cooler | Filson," published on or before Sep. 7, 2017, Retrieved from the Internet: URL<<https://www.filson.com/soft-sided-lunch-cooler-11070448.html>>. 2 pages.

(56)

## References Cited

## OTHER PUBLICATIONS

'frontgate.com' [online]. "Sovaro Luxury Soft Sided Cooler," published on or before Sep. 7, 2017, Retrieved from the Internet: URL<[https://www.frontgate.com/sovaro-luxury-soft-sided-cooler/1086248?SourceCode=ZZ51120&cm\\_mmc=Comparison+Shopping-\\_Google+Product+Listings-\\_Na-\\_NA&intlShippingCtx=US%7CUSD&CATARGETID=120245420002200553&cadevice=c&gclid=EAIaIQobChMIgY\\_Ew-301gIVUbjACh1XHAm5EAKYAYABEgJKWPD\\_BwE](https://www.frontgate.com/sovaro-luxury-soft-sided-cooler/1086248?SourceCode=ZZ51120&cm_mmc=Comparison+Shopping-_Google+Product+Listings-_Na-_NA&intlShippingCtx=US%7CUSD&CATARGETID=120245420002200553&cadevice=c&gclid=EAIaIQobChMIgY_Ew-301gIVUbjACh1XHAm5EAKYAYABEgJKWPD_BwE)>. 3 pages.

'grizzlycoolers.com' [online]. "Grizzly Drifter 20—Grizzly Coolers," published on or before Sep. 7, 2017, Retrieved from the Internet: URL<<https://www.grizzlycoolers.com/grizzly-drifter-20>>. 6 pages.

'igloocoolers.com' [online]. "Igloo Coolers | Daytripper Tote Insulated Cooler Bag—Gray/Warm Red," published on or before Sep. 7, 2017, Retrieved from the Internet: URL<<https://www.igloocoolers.com/products/61980-daytripper-tote-insulated-cooler-bag-gray>>. 3 pages.

'igloocoolers.com' [online]. "Igloo Coolers | Marine Ultra 24-Can Square Cooler Bag—White/Black," published on or before Sep. 7, 2017, Retrieved from the Internet: URL<<https://www.igloocoolers.com/products/57176-marine-ultra-24-can-square-cooler-bag-white>>. 3 pages.

'pelican.com' [online]. "SC12 Cooler—Soft Cooler | 12 Can Soft Cooler | Pelican Consumer," published on or before Sep. 7, 2017, Retrieved from the Internet: URL<<http://www.pelican.com/us/en/product/outdoor-heavy-duty-coolers/soft-cooler/12-can-soft-cooler/SC12/>>. 2 pages.

'pelican.com' [online]. "SC24 Cooler—Soft Cooler | 24 Can Soft Cooler | Pelican Consumer," published on or before Sep. 7, 2017, Retrieved from the Internet: URL<<http://www.pelican.com/us/en/product/outdoor-heavy-duty-coolers/soft-cooler/24-can-soft-cooler/SC24/>>. 2 pages.

'polarbearcoolers.com' [online]. "24 Pack Eclipse Cooler," published on or before Sep. 7, 2017, Retrieved from the Internet: URL<<http://www.polarbearcoolers.com/product/PB327.html>>. 7 pages.

'sovaro.com' [online]. "Sovaro 18 IN Soft-Sided Cooler Grey—Soft-Sided Coolers," published on or before Sep. 7, 2017, Retrieved

from the Internet: URL<<https://www.sovaro.com/coolers/soft-sided-coolers/18-soft-sided-coolers-grey.html>>. 4 pages.

'walmart.com' [online]. "Ozark Trail Premium Jumbo Tote," published on or before Sep. 7, 2017, Retrieved from the Internet: URL<<https://www.walmart.com/ip/Ozark-Trail-Premium-Jumbo-Tote/188204328>>. 13 pages.

'walmart.com' [online]. "Ozark Trail Premium Jumbo Tote," published on or before Sep. 7, 2017, Retrieved from the Internet: URL<<https://www.walmart.com/ip/Ozark-Trail-Premium-Jumbo-Tote/188204328>>. 6 pages.

'walmart.com' [online]. "Penguin Premium 36-Can Cooler," published on or before Sep. 7, 2017, Retrieved from the Internet: URL<<https://www.walmart.com/ip/Penguin-Premium-36-Can-Cooler/55272100?wmlspartner=wmlpa&selectedSellerId=0&adid=2222222227071737942&wmlspartner=wmtlabs&w10=&w11=g&w12=c&w13=181773314823&w14=pla-287159641595&w15=9031293&w16=&w17=&w18=&w19=pla&w110=8175035&w111=online&w112=55272100&w113=&veh=sem>>. 5 pages.

'yeti.com' [online]. "Yeti | Hopper Flip 12 Personal Cooler," published on or before Sep. 7, 2017, Retrieved from the Internet: URL<<http://yeti.com/hopper-flip-12-cooler>>. 4 pages.

'yeti.com' [online]. "Yeti | Hopper Flip 8 Personal Cooler," published on or before Sep. 7, 2017, Retrieved from the Internet: URL<<http://yeti.com/hopper-flip-8-cooler>>. 3 pages.

20 qt Soft-Pack, RTIC IP, LLC, first disclosed on Mar. 1, 2016, 7 pages.

30 qt Soft-Pack, RTIC IP, LLC, first disclosed on Mar. 1, 2016, 7 pages.

40 qt Soft-Pack, RTIC IP, LLC, first disclosed on Mar. 1, 2016, 7 pages.

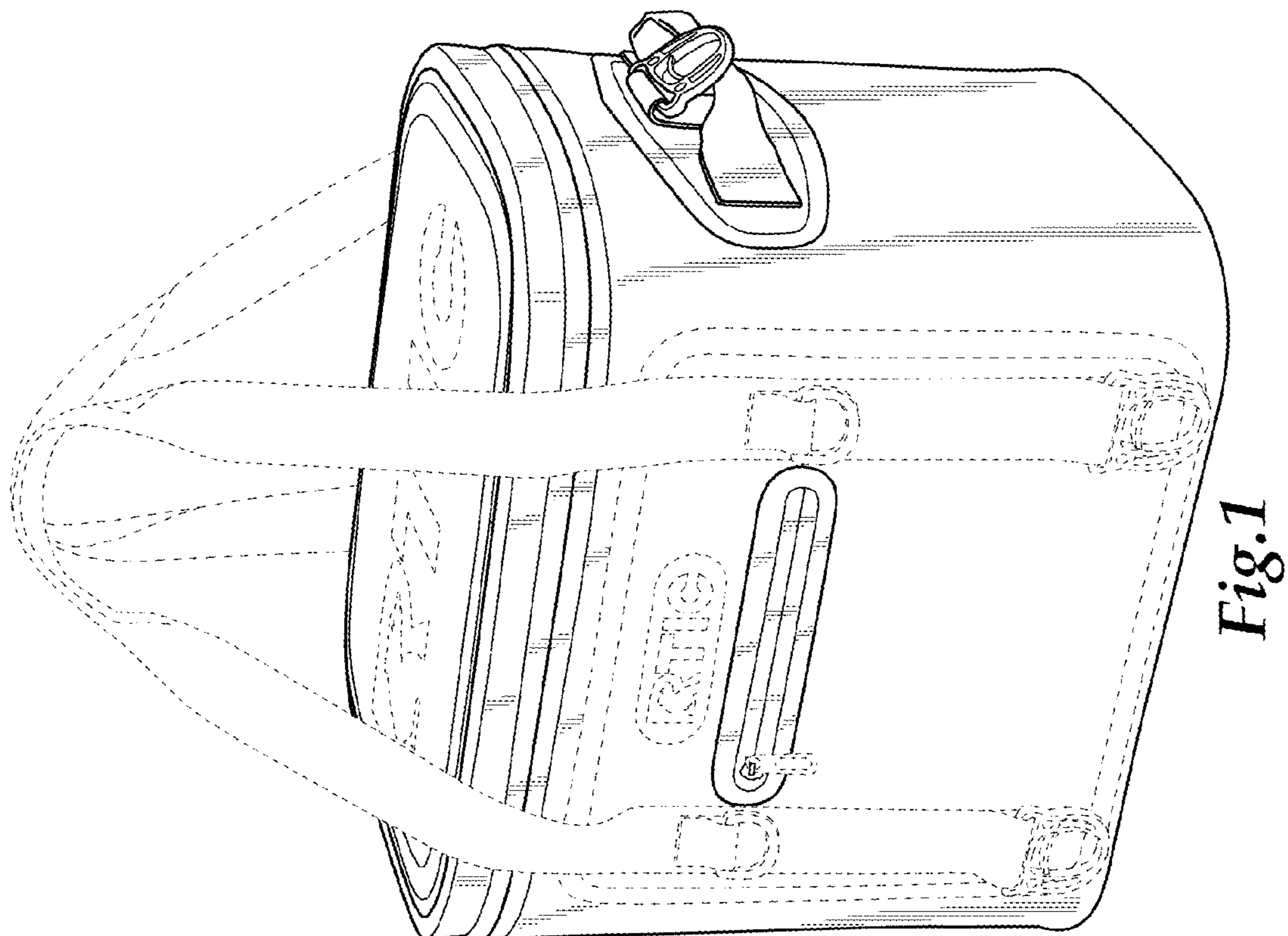
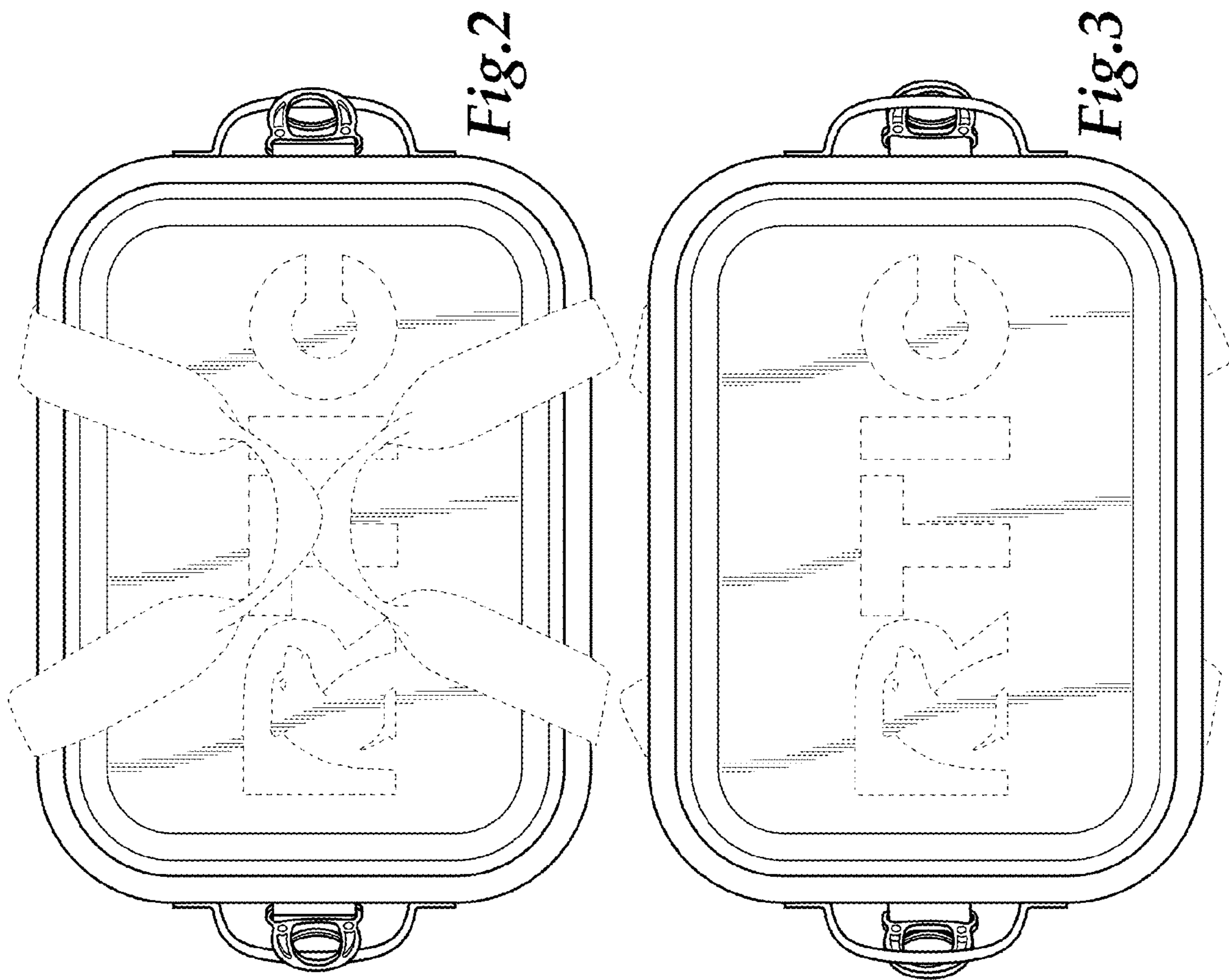
U.S. Appl. No. 29/616,797, filed Sep. 8, 2017, Jacobsen.

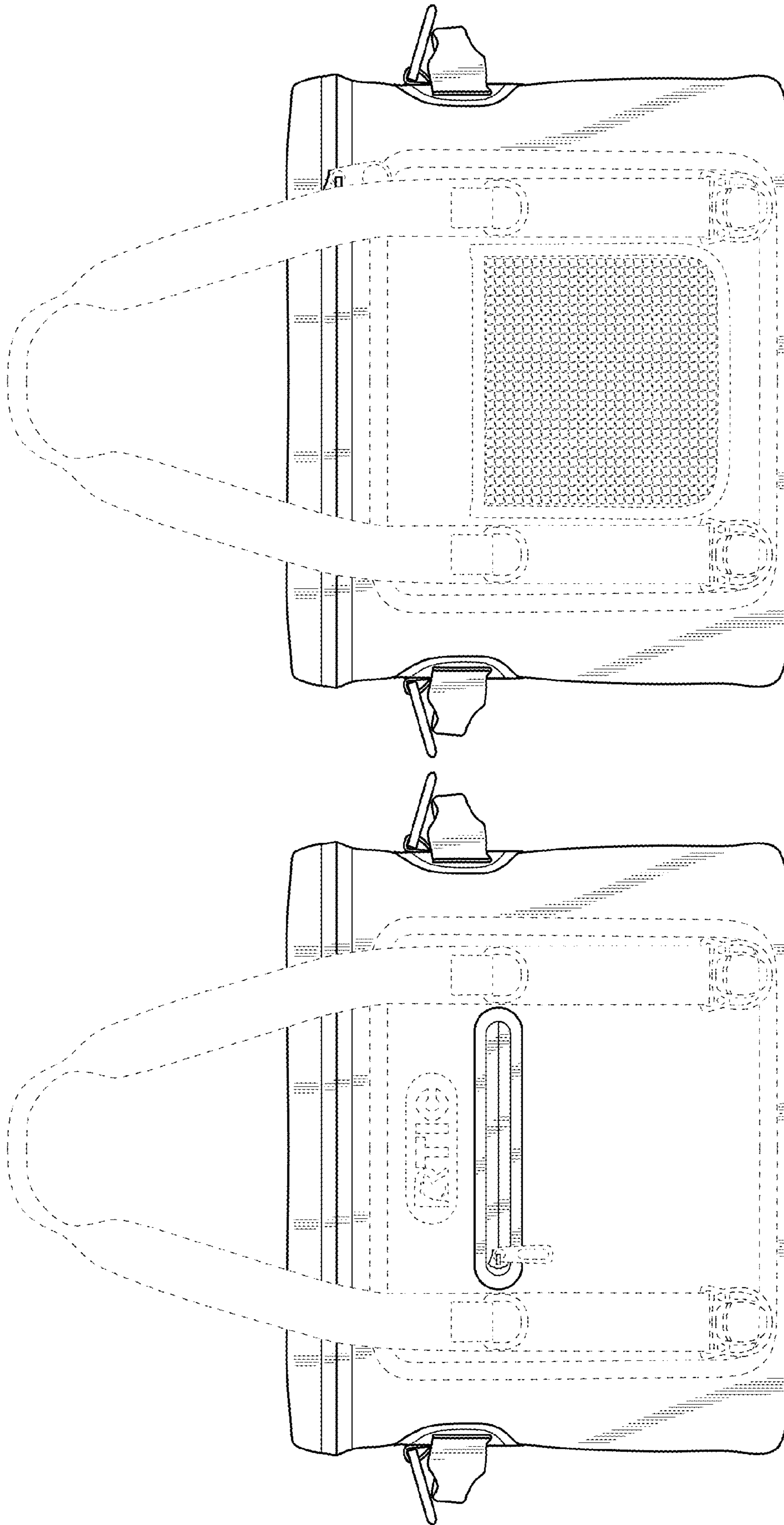
U.S. Appl. No. 29/617,847, filed Sep. 15, 2017, Jacobsen.

U.S. Appl. No. 29/624,455, filed Nov. 1, 2017, Jacobsen.

U.S. Appl. No. 29/624,458, filed Nov. 1, 2017, Jacobsen.

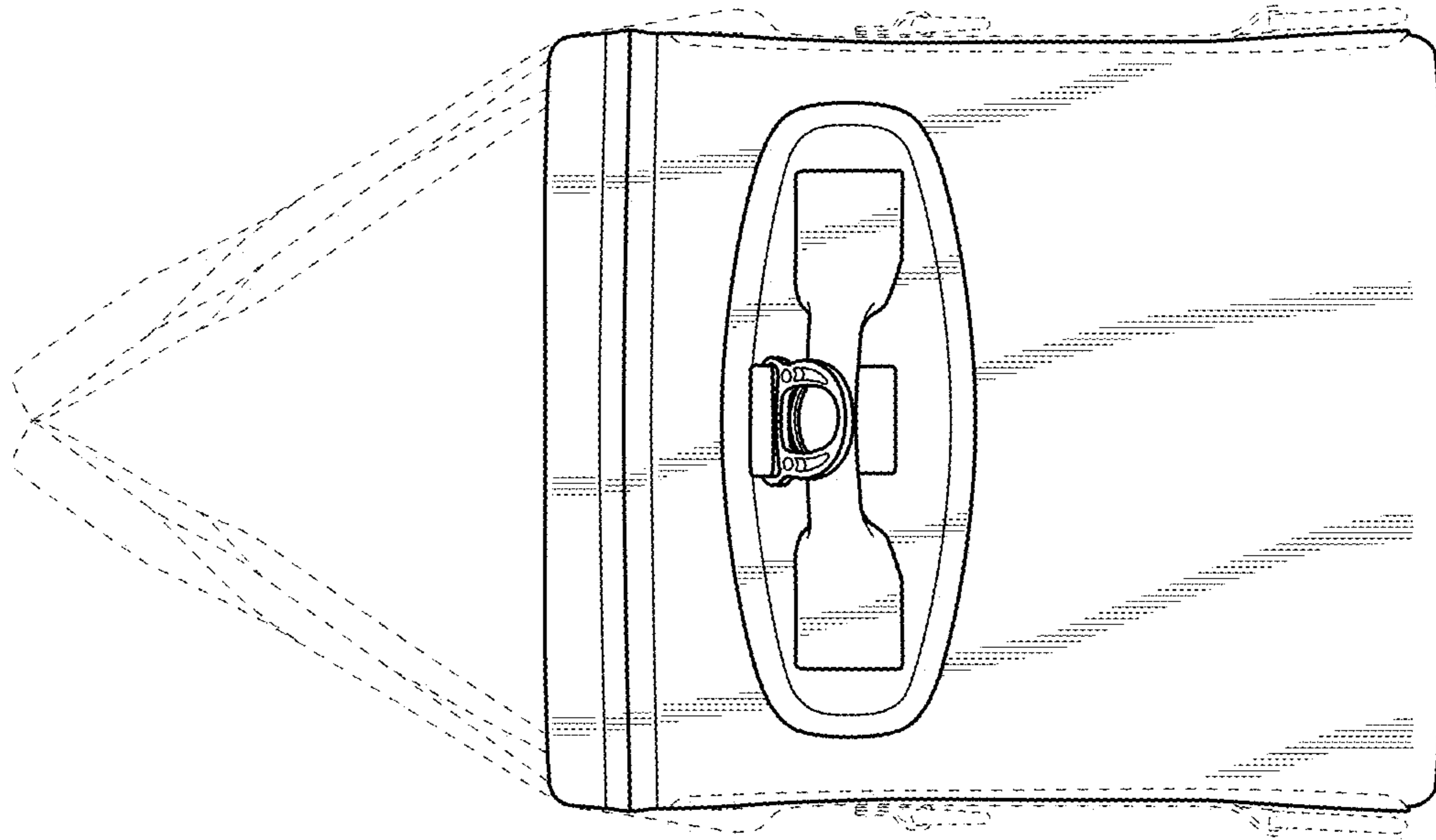
\* cited by examiner



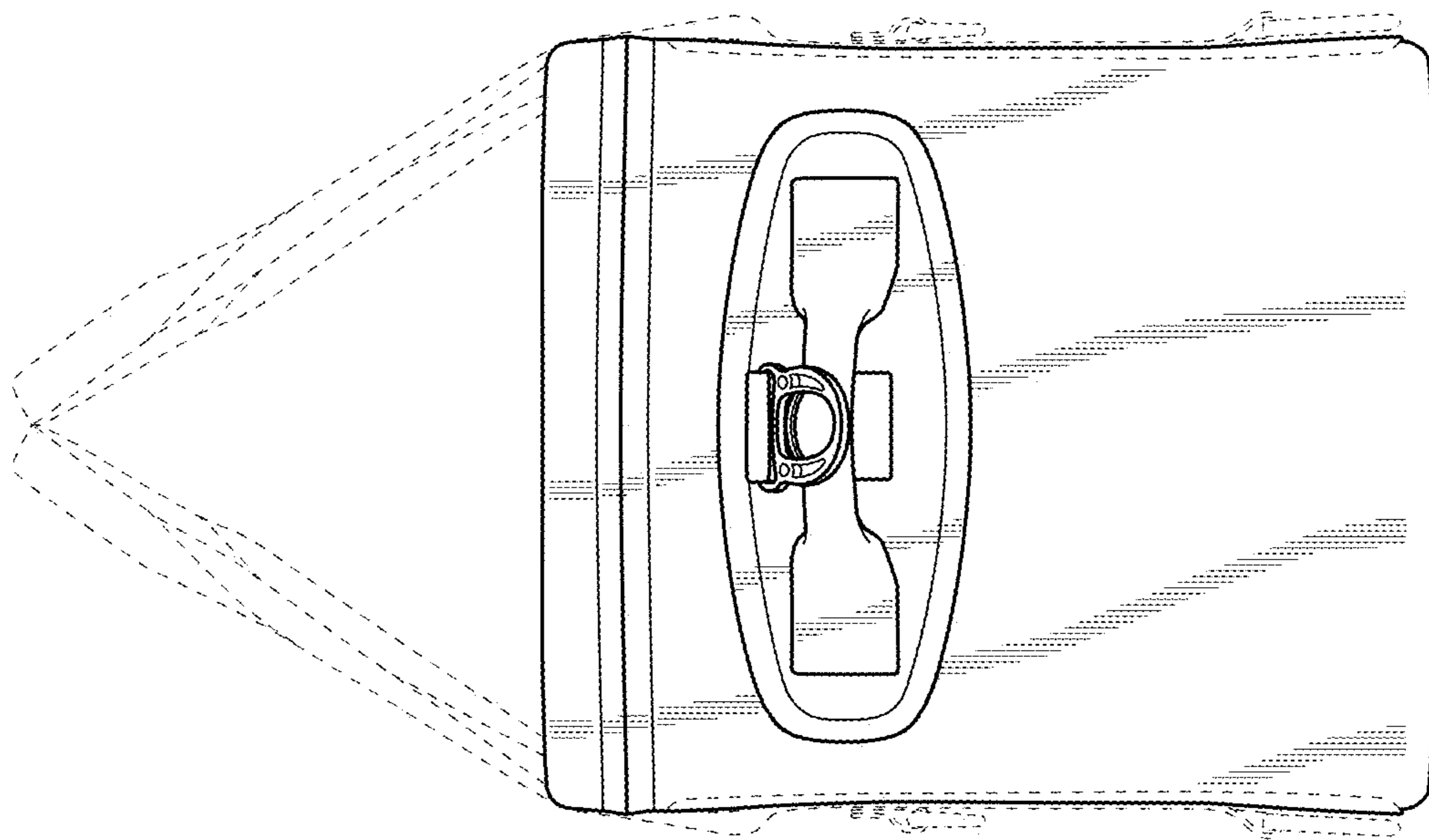


*Fig.5*

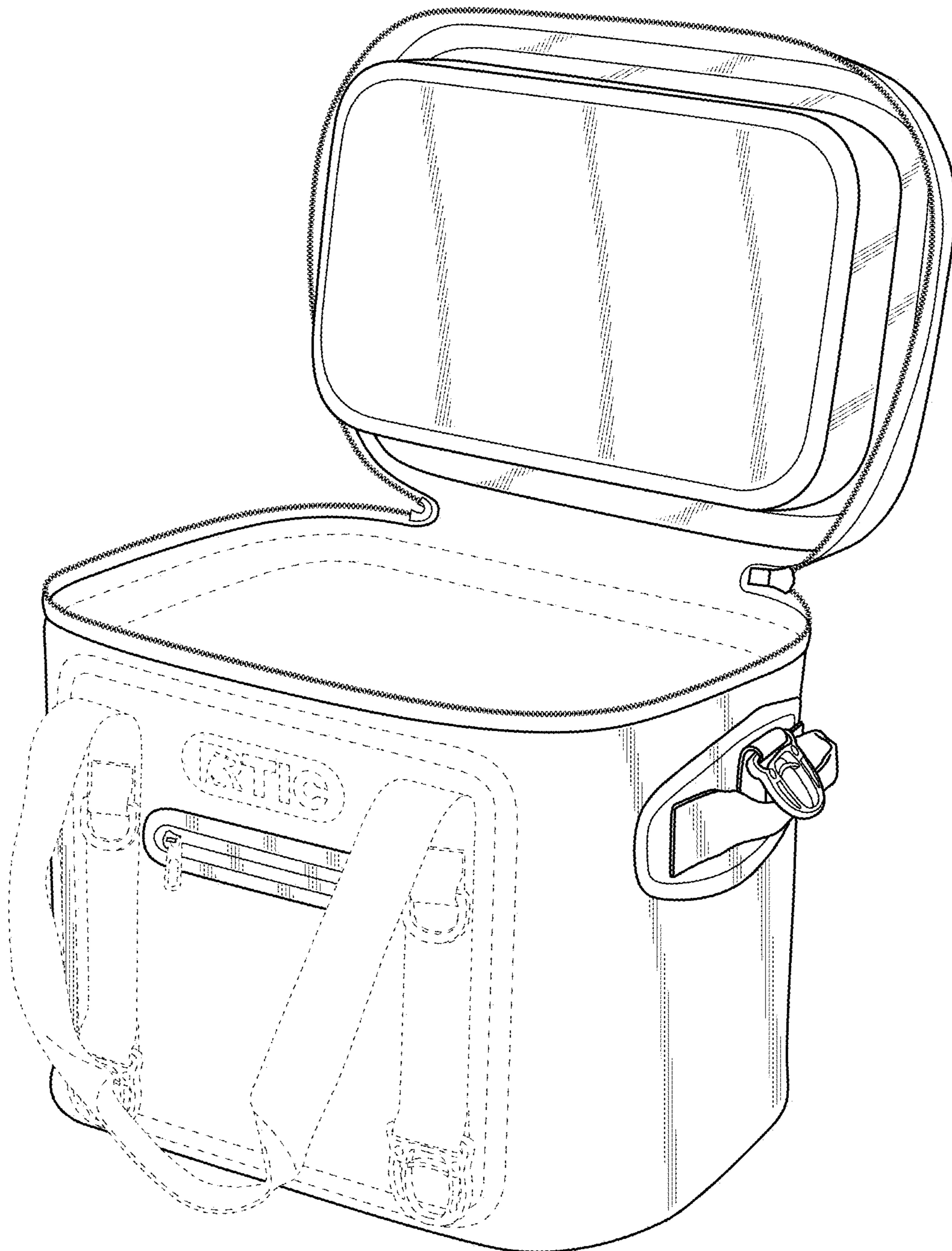
*Fig.4*



*Fig. 7*



*Fig. 6*



*Fig.8*