



US00D880248S

(12) **United States Design Patent** (10) **Patent No.:** **US D880,248 S**  
**Zhen** (45) **Date of Patent:** **\*\* Apr. 7, 2020**

(54) **LUNCH BOX**

(71) Applicant: **TAISHAN SHIHENG PACKING MATERIAL CO., LTD.**, Taishan, Guangdong (CN)

(72) Inventor: **Kunhua Zhen**, Quebec (CA)

(73) Assignee: **TAISHAN SHIHENG PACKING MATERIAL CO., LTD.**, Taishan (CN)

(\*\*) Term: **15 Years**

(21) Appl. No.: **29/627,453**

(22) Filed: **Nov. 27, 2017**

(30) **Foreign Application Priority Data**

Nov. 1, 2017 (CN) ..... 2017 3 0531029

(51) **LOC (12) Cl.** ..... **07-07**

(52) **U.S. Cl.**  
USPC ..... **D7/602**

(58) **Field of Classification Search**  
USPC ..... D7/354, 554.3, 601-602, 610, 629-630,  
D7/707-708; 206/405, 557;

(Continued)

(56) **References Cited**

**U.S. PATENT DOCUMENTS**

D278,412 S \* 4/1985 Yeung ..... D9/420  
D282,245 S \* 1/1986 Yeung ..... D9/425

(Continued)

**FOREIGN PATENT DOCUMENTS**

CA 165004 \* 5/2016  
CN 303187422 \* 4/2015

(Continued)

**OTHER PUBLICATIONS**

NC838B 24 oz. Rectangular Black Combo Container, PACTIV, published at pactiv.com, author not listed, brochure from Aug. 2012

© 2012 PACTIV, LLC, online, site visited Aug. 2, 2018. Available from Internet, URL: <https://www.pactiv.com/brochures/12369IH.pdf> (Year: 2012).\*

(Continued)

*Primary Examiner* — Marissa J Cash  
*Assistant Examiner* — Altaira J Swangin

(74) *Attorney, Agent, or Firm* — Innovation Capital Law Group, LLP; Vic Lin

(57) **CLAIM**

The ornamental design for a lunch box, as shown and described.

**DESCRIPTION**

FIG. 1 is a right elevation view of a lunch box;  
FIG. 2 is a front elevation view of the lunch box;  
FIG. 3 is a top plan view of the lunch box;  
FIG. 4 is a bottom plan view of the lunch box;  
FIG. 5 is a top perspective view of the lunch box;  
FIG. 6 is a bottom perspective view of the lunch box;  
FIG. 7 is a top perspective view of the lunch box shown in an exploded configuration for ease of illustration;  
FIG. 8 is a bottom perspective view of the lunch box shown in an exploded configuration for ease of illustration;  
FIG. 9 is a right elevation view of the a lid of the lunch box, shown removed for ease of illustration;  
FIG. 10 is a front elevation view of the lid of the lunch box, shown removed for ease of illustration;  
FIG. 11 is a top plan view of the lid of the lunch box, shown removed for ease of illustration;  
FIG. 12 is a bottom plan view of the lid of the lunch box, shown removed for ease of illustration;  
FIG. 13 is a top perspective view of the lid of the lunch box, shown removed for ease of illustration;  
FIG. 14 is a bottom perspective view of the lid of the lunch box, shown removed for ease of illustration;  
FIG. 15 is a right elevation view of a base of the lunch box, shown with its lid removed for ease of illustration;  
FIG. 16 is a front elevation view of the base of the lunch box, shown with its lid removed for ease of illustration;

(Continued)

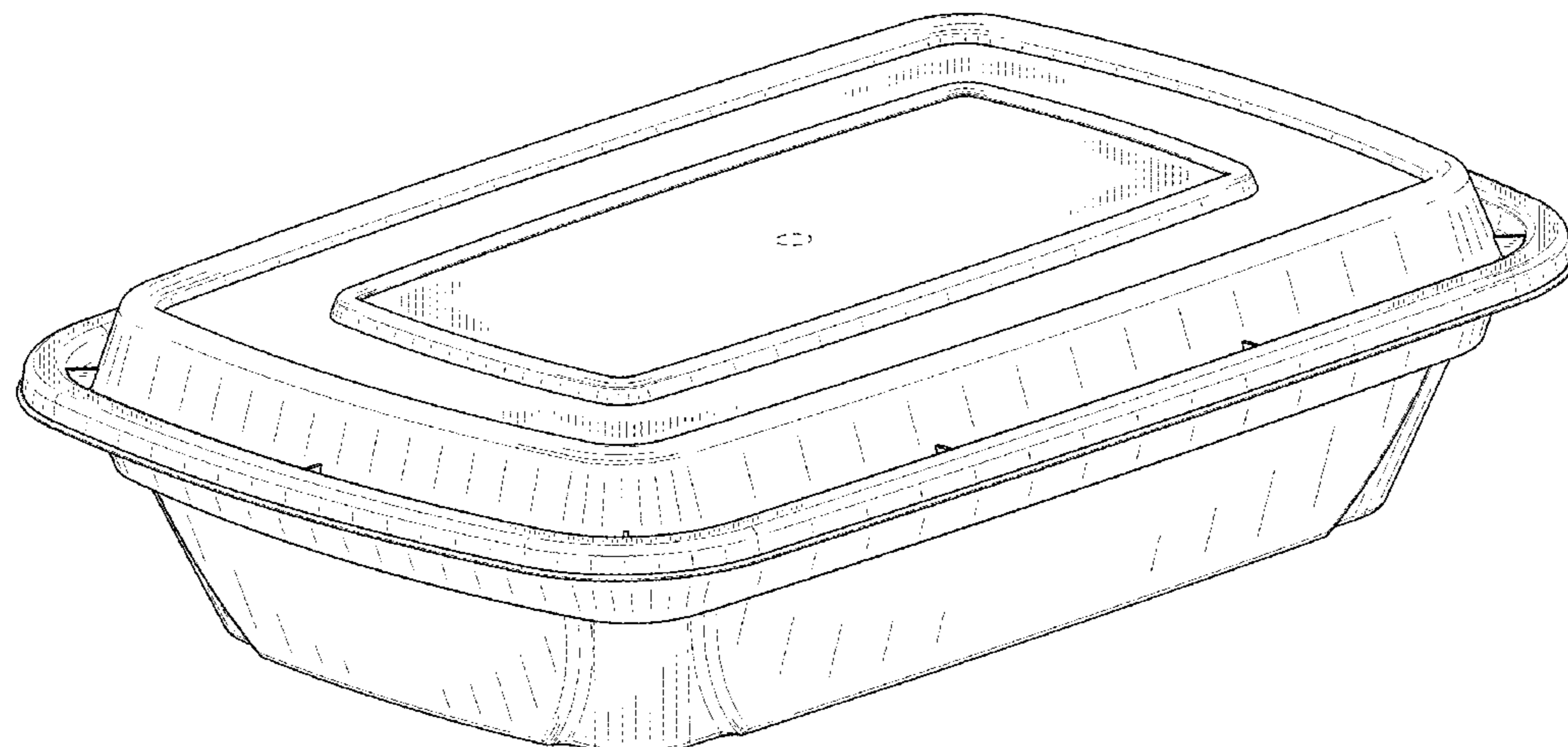


FIG. 17 is a top plan view of the base of the lunch box, shown with the lid removed for ease of illustration;  
 FIG. 18 is a bottom plan view of the base of the lunch box, shown with the lid removed for ease of illustration;  
 FIG. 19 is a top perspective view of the base of the lunch box, shown with the lid removed for ease of illustration; and,  
 FIG. 20 is a bottom perspective view of the base of the lunch box, shown with the lid removed for ease of illustration.  
 The broken lines in the FIGURES show portions of the lunch box which form no part of the claimed design.

**1 Claim, 20 Drawing Sheets**

**(58) Field of Classification Search**

USPC ..... D9/424-426, 428, 430-432, 759-761;  
 426/392; 229/903  
 CPC ..... B65D 1/36; B65D 81/3446; B65D 1/00;  
 A47G 23/04; A47G 23/0683; A47G 23/06  
 See application file for complete search history.

**(56) References Cited**

**U.S. PATENT DOCUMENTS**

D408,733	S	*	4/1999	McCann	.....	D9/423
D439,159	S	*	3/2001	Chen	.....	D9/425
D447,906	S	*	9/2001	Jarvis	.....	D7/354
D469,689	S	*	2/2003	Buchalski	.....	D9/425
D606,812	S	*	12/2009	Wu	.....	D7/629
D614,950	S	*	5/2010	Colacitti	.....	D7/354
D627,219	S	*	11/2010	Golota	.....	D9/424
D649,033	S	*	11/2011	Epstein	.....	D9/425
D649,409	S	*	11/2011	Segal	.....	D7/629
D649,410	S	*	11/2011	Segal	.....	D7/629
D656,367	S	*	3/2012	Segal	.....	D7/629
D664,427	S	*	7/2012	Chen	.....	D9/425
D665,674	S	*	8/2012	Wu	.....	D7/629
D665,677	S	*	8/2012	Wu	.....	D7/629
D671,373	S	*	11/2012	Kimmel	.....	D7/629
D702,511	S	*	4/2014	Segal	.....	D7/629
D724,903	S	*	3/2015	Chen	.....	D7/629

D755,579	S	*	5/2016	Wu	.....	D7/629
D769,113	S	*	10/2016	Chen	.....	D9/425
D801,170	S	*	10/2017	Wu	.....	D9/425
D841,462	S	*	2/2019	Kui	.....	D9/425
10,279,962	B2	*	5/2019	Hansen	.....	B65D 43/0235
D852,036	S	*	6/2019	Lin	.....	D9/425
D852,037	S	*	6/2019	Lin	.....	D9/425
D854,380	S	*	7/2019	Yang	.....	D7/602
2004/0007583	A1	*	1/2004	Lin	.....	B65D 43/162 220/835
2009/0218356	A1	*	9/2009	Colacitti	.....	B29C 45/14 220/574
2014/0151387	A1	*	6/2014	Chen	.....	B65D 43/0218 220/780
2017/0113848	A1	*	4/2017	Zhen	.....	B65D 43/06
2019/0077551	A1	*	3/2019	Sarnoff	.....	B65D 81/34
2019/0217998	A1	*	7/2019	Hansen	.....	B65D 43/0235

**FOREIGN PATENT DOCUMENTS**

CN	303875475	*	10/2016
CN	304304354	*	10/2017
CN	304335703	*	10/2017
CN	304412333	*	12/2017

**OTHER PUBLICATIONS**

Microwaveable Container, brand not listed, published at youtube.com, posted by Barthel Fitness on May 3, 2014 © not listed, online, site visited Aug. 2, 2018. Available from Internet, URL: <https://www.youtube.com/watch?v=J8FXgSdMEZ4> (Year: 2014).\*

Rectangular Food Grade Conjoined Boxes 400ml-1500ml, Zhejiang Xueli, alibaba.com, author and date not listed © 1999-2019 Alibaba.com, online, site visited Feb. 11, 2019. Available from Internet, URL: [https://zjxueli.en.alibaba.com/product/60691267016-0/Rec\\_Food\\_Grade\\_conjoined\\_boxes...](https://zjxueli.en.alibaba.com/product/60691267016-0/Rec_Food_Grade_conjoined_boxes...) (Year: 2019).\*

Generic 38 oz. Rectangular Plastic Container, PurPac Inc., author not listed, published Apr. 28, 2019 per wayback machine © 2014 Purpac Inc., online, site visited Aug. 23, 2019. Available from Internet, URL: <https://www.purpacinc.com/products/generic-38-oz-plastic-container> (Year: 2019).\*

\* cited by examiner

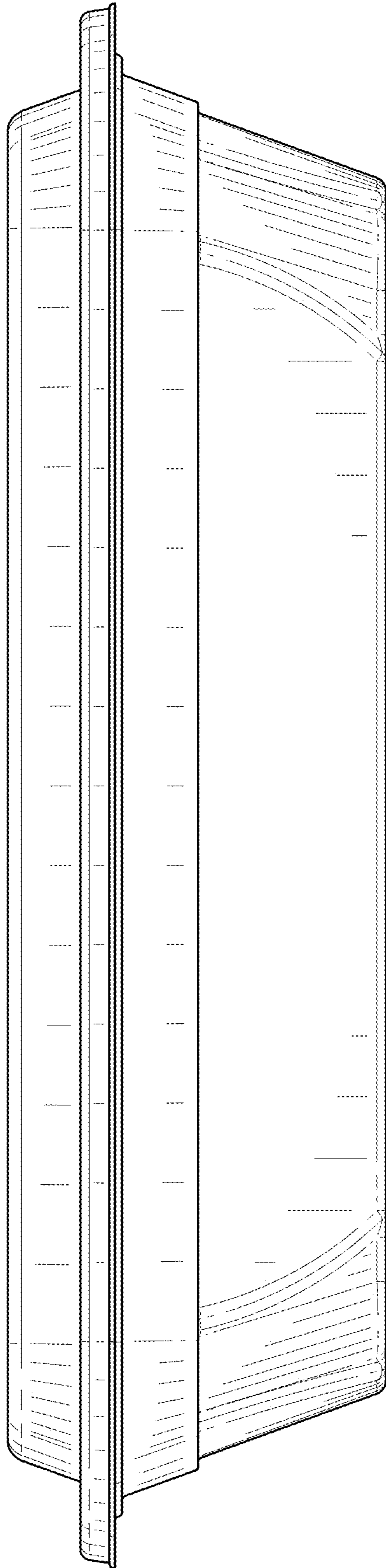


FIG. 1

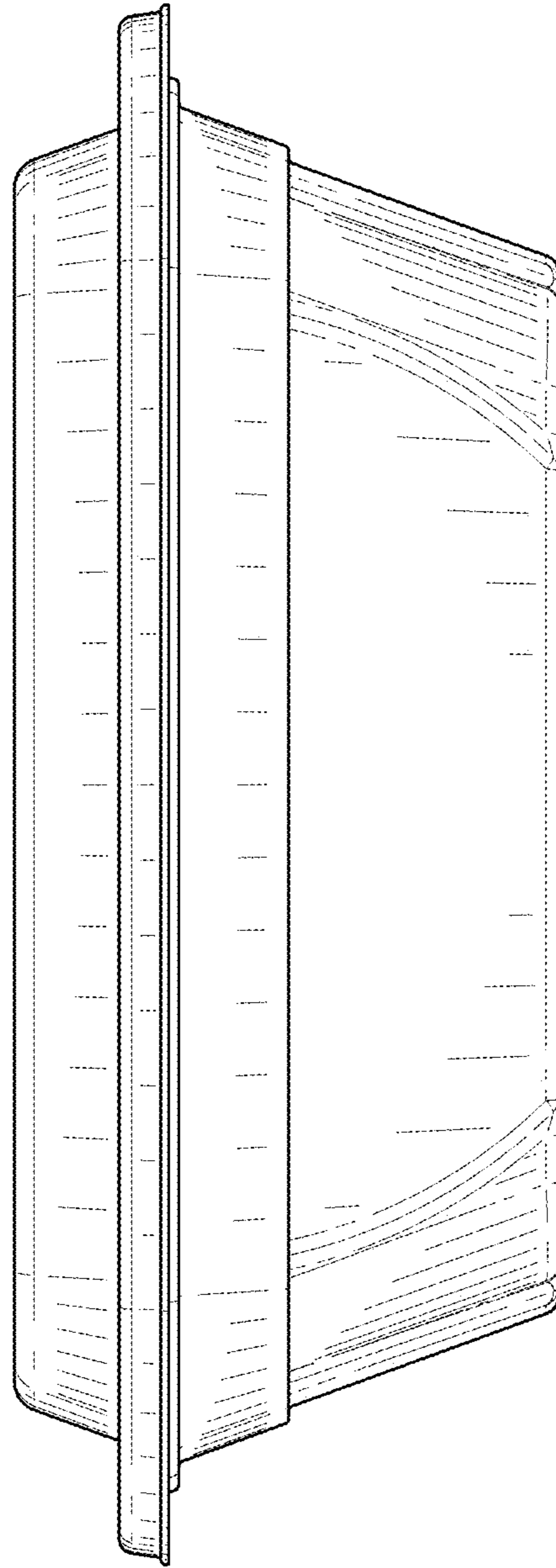


FIG. 2

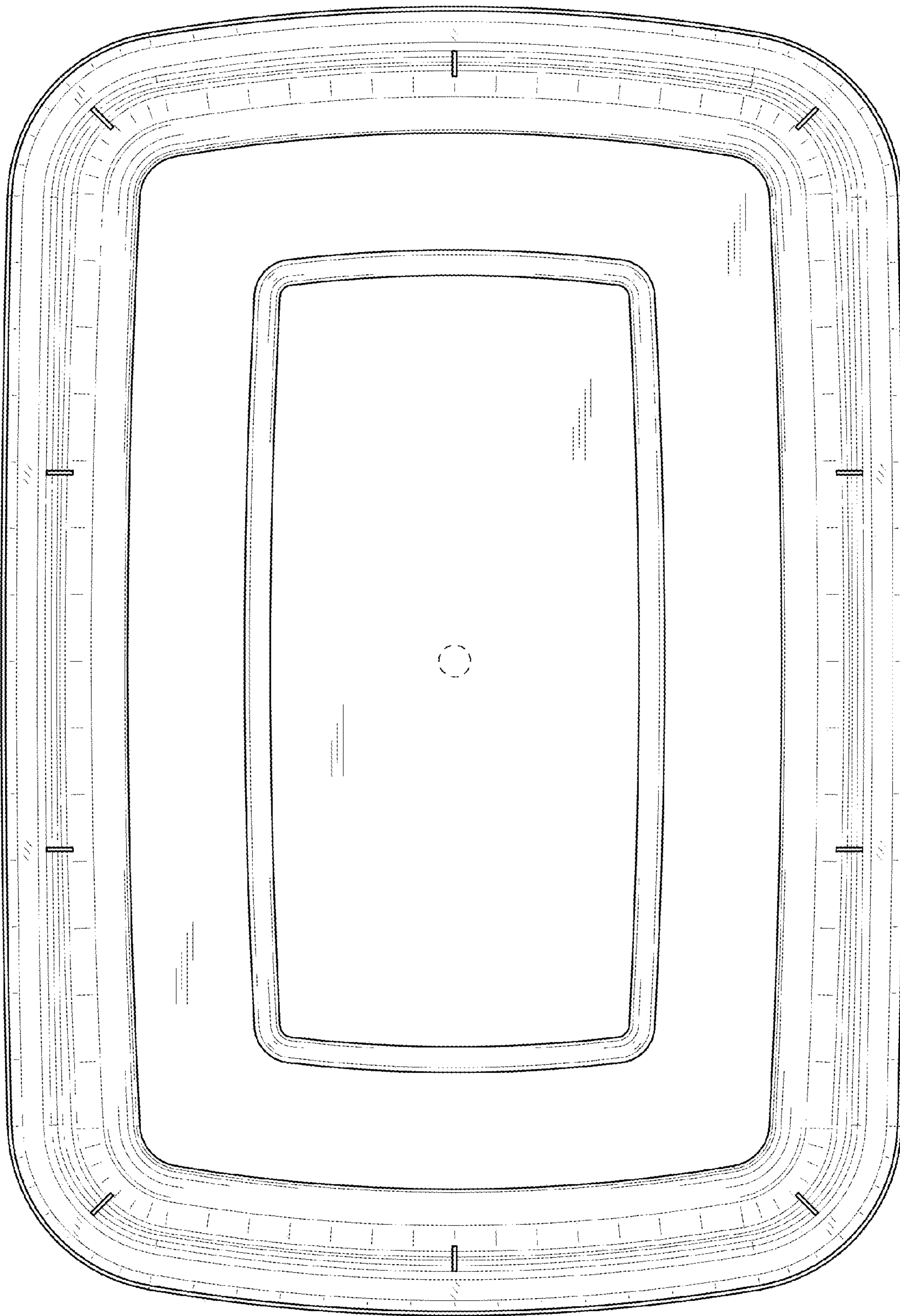


FIG. 3

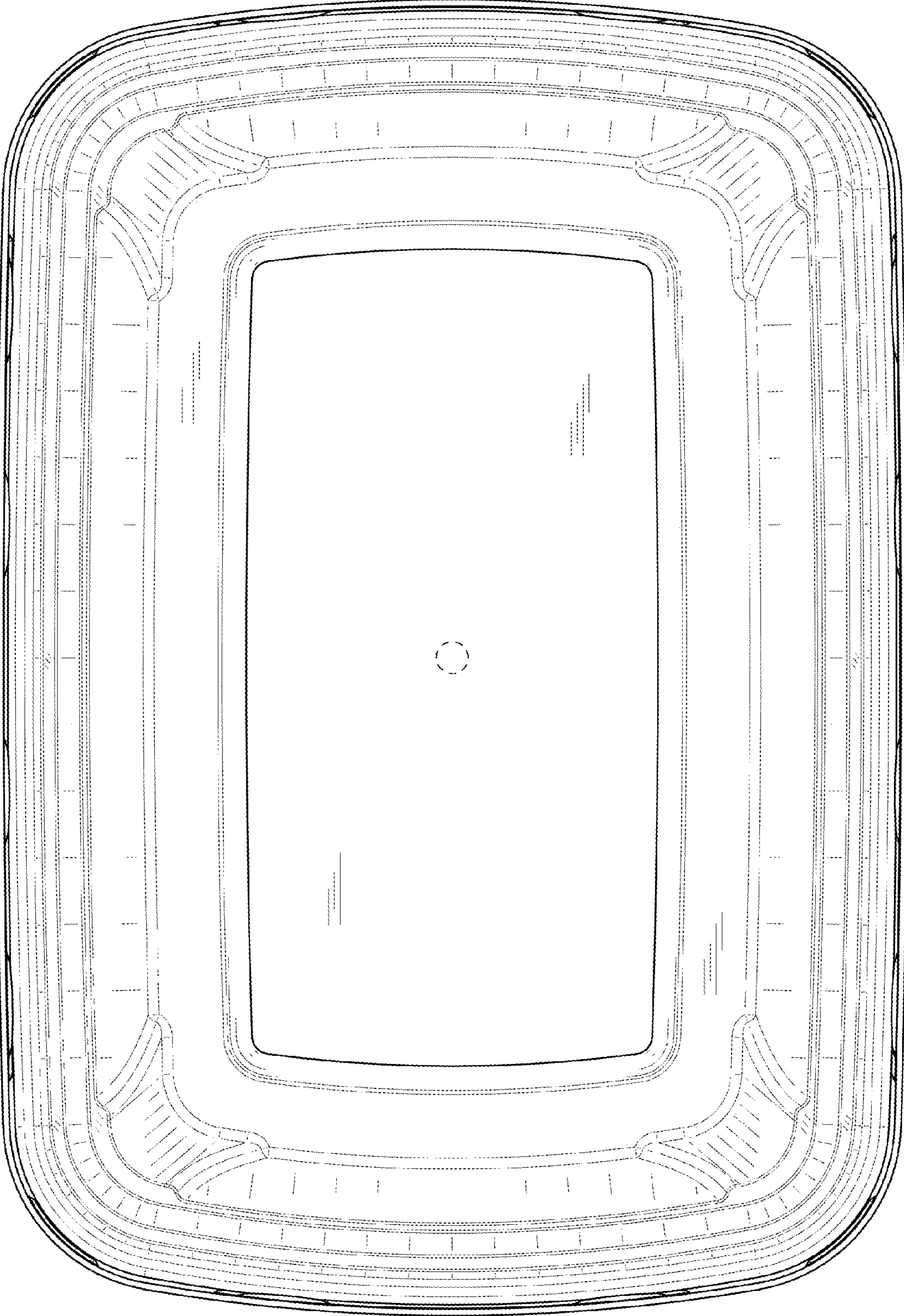


FIG. 4

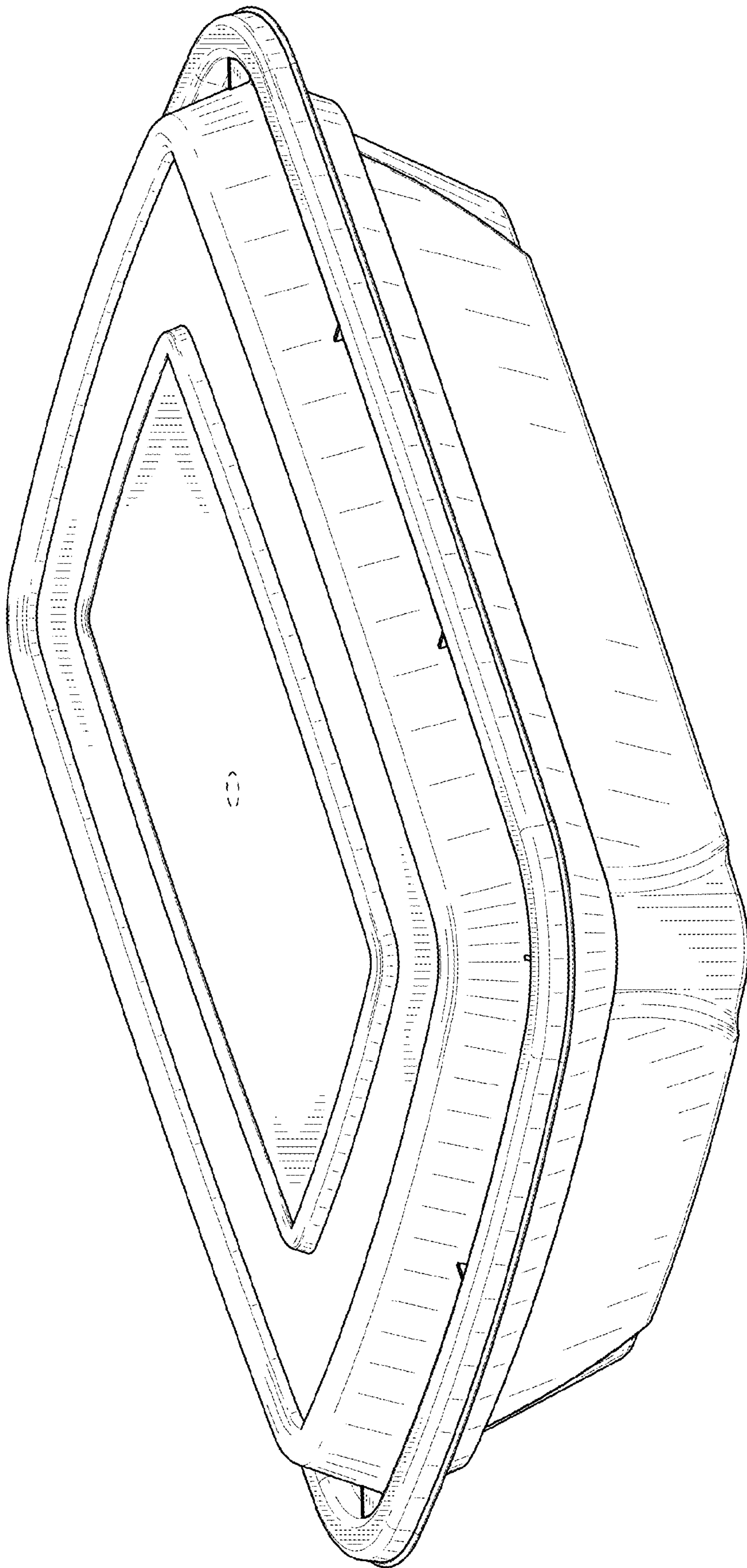


FIG. 5

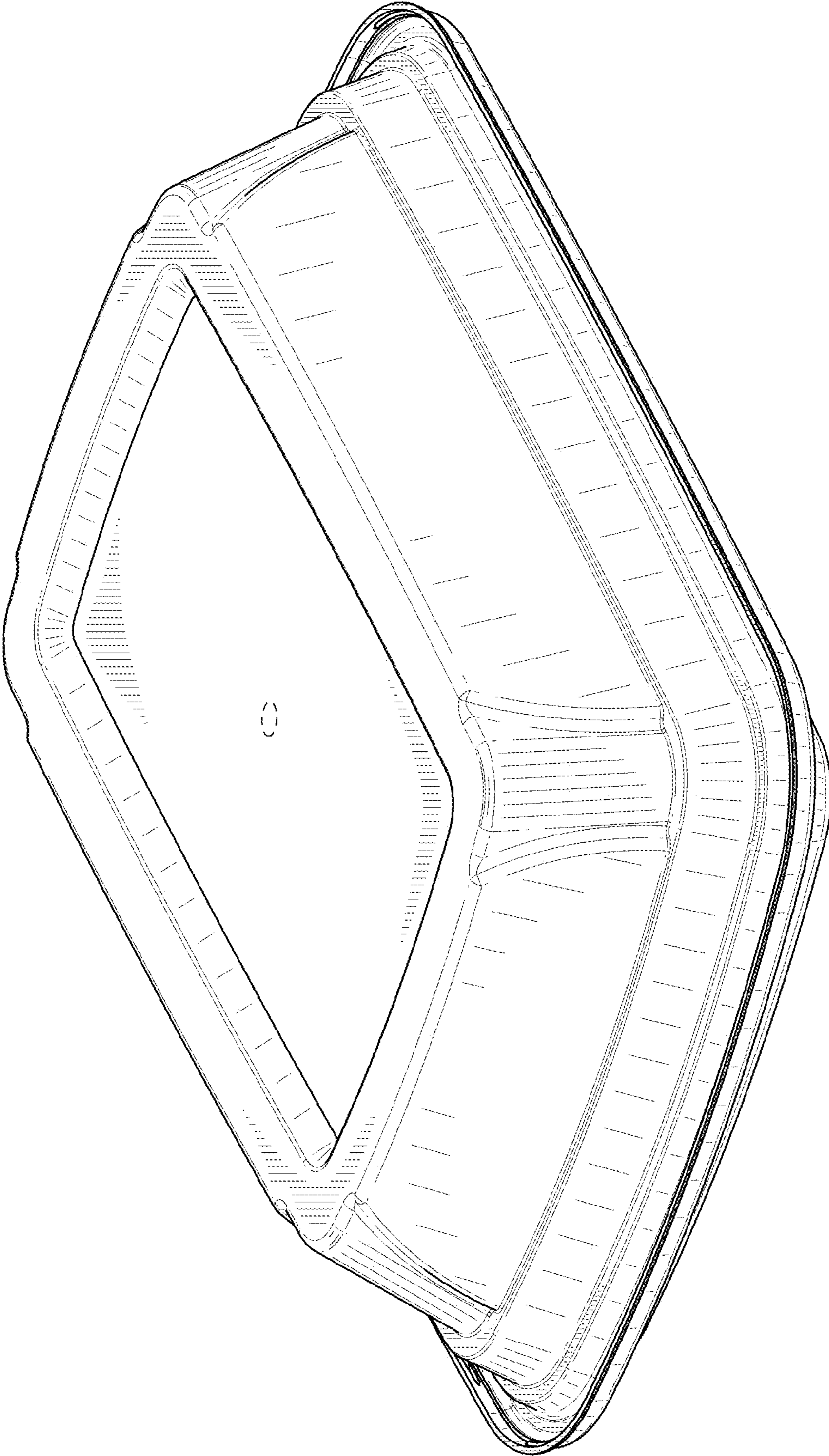


FIG. 6



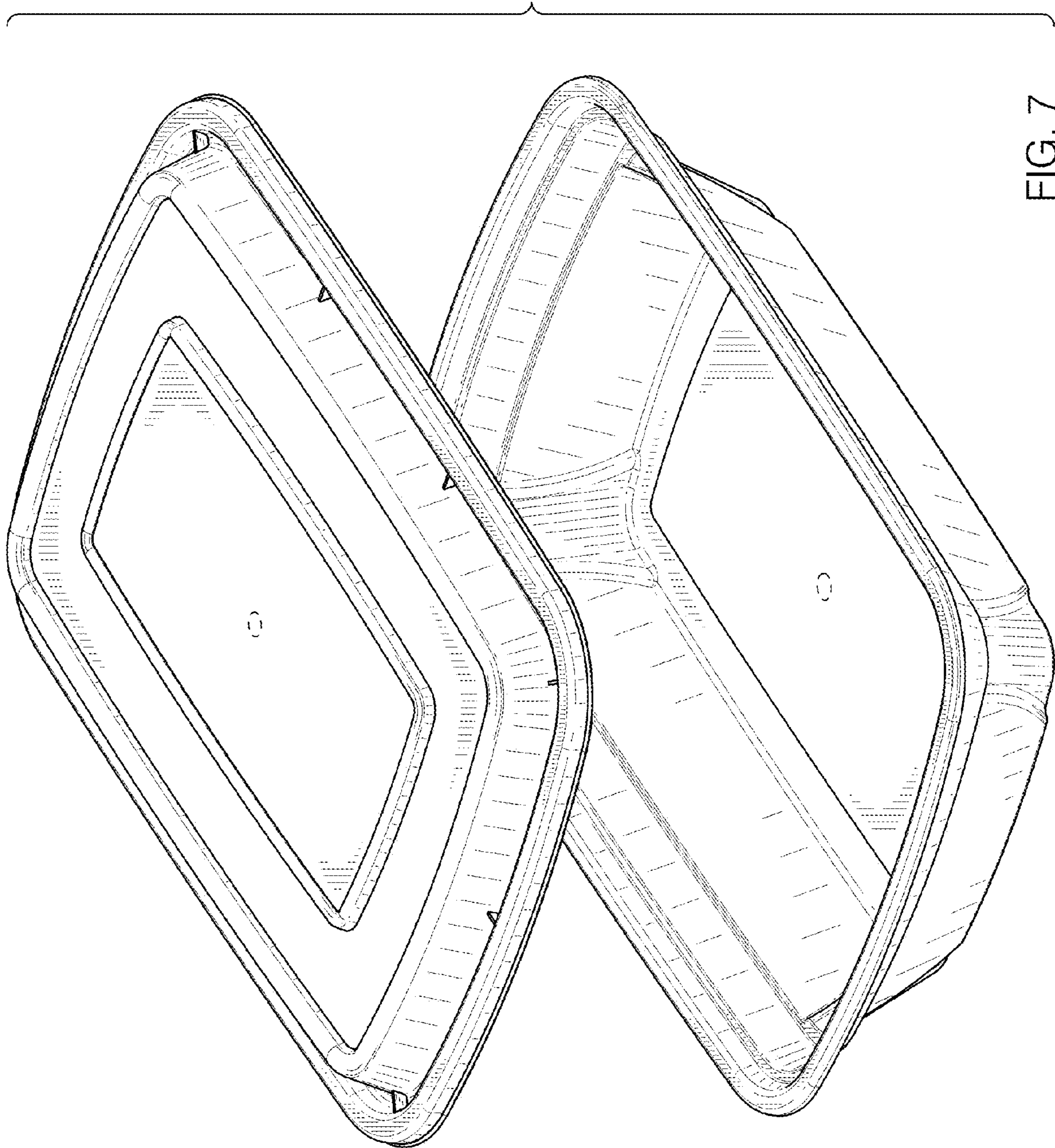


FIG. 7

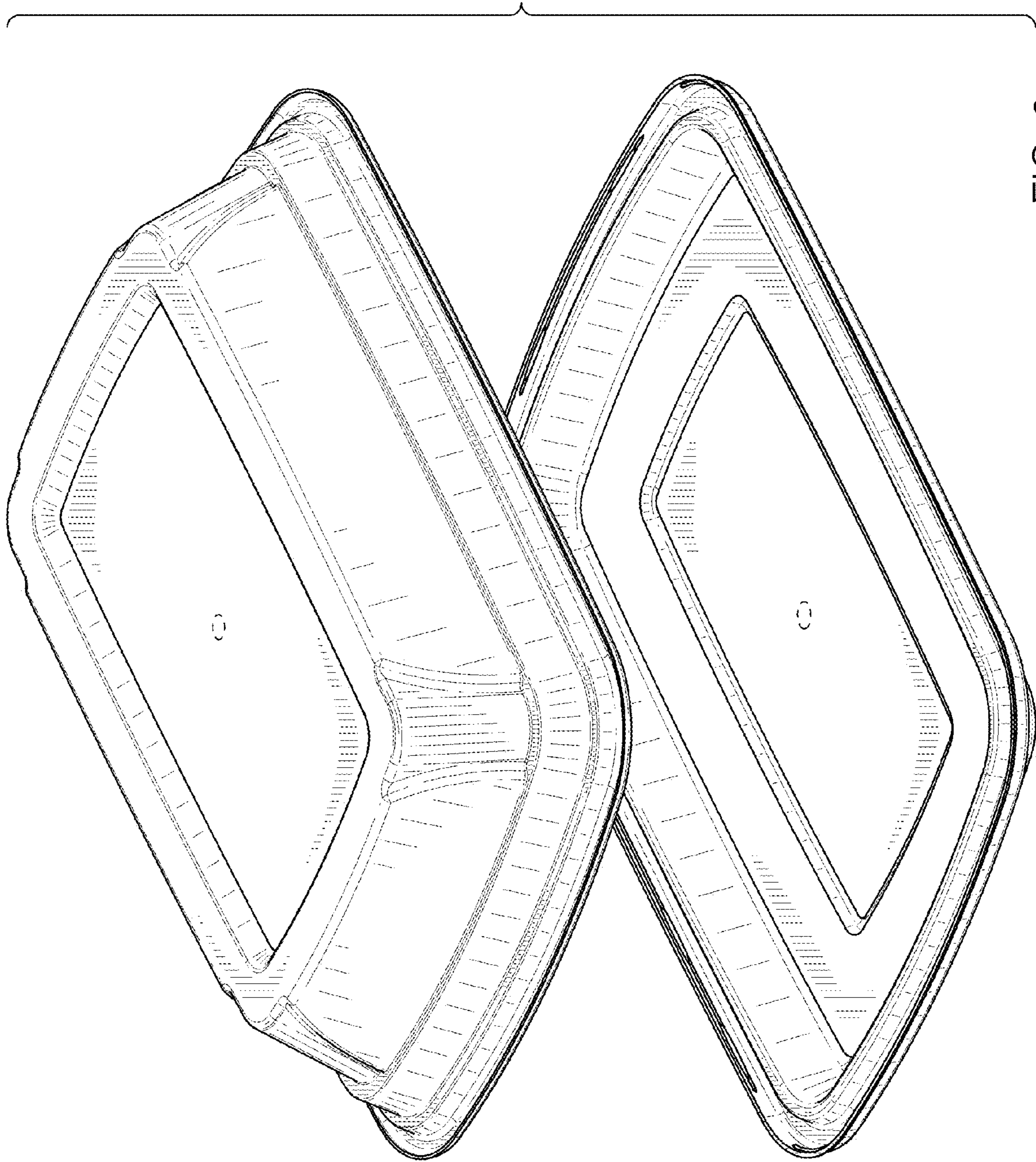


FIG. 8

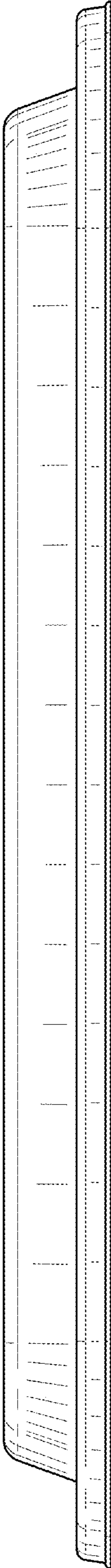


FIG. 9

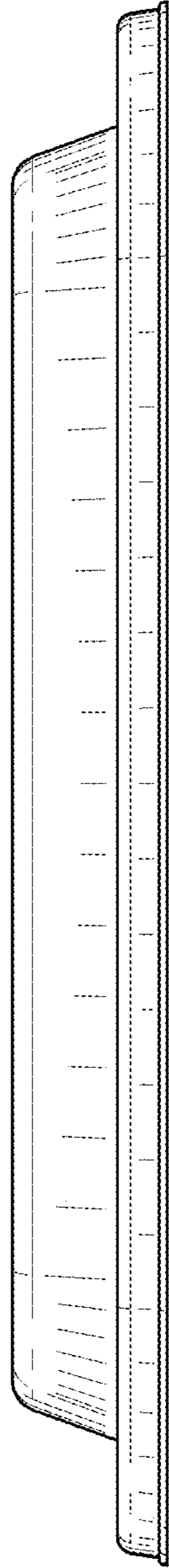


FIG. 10

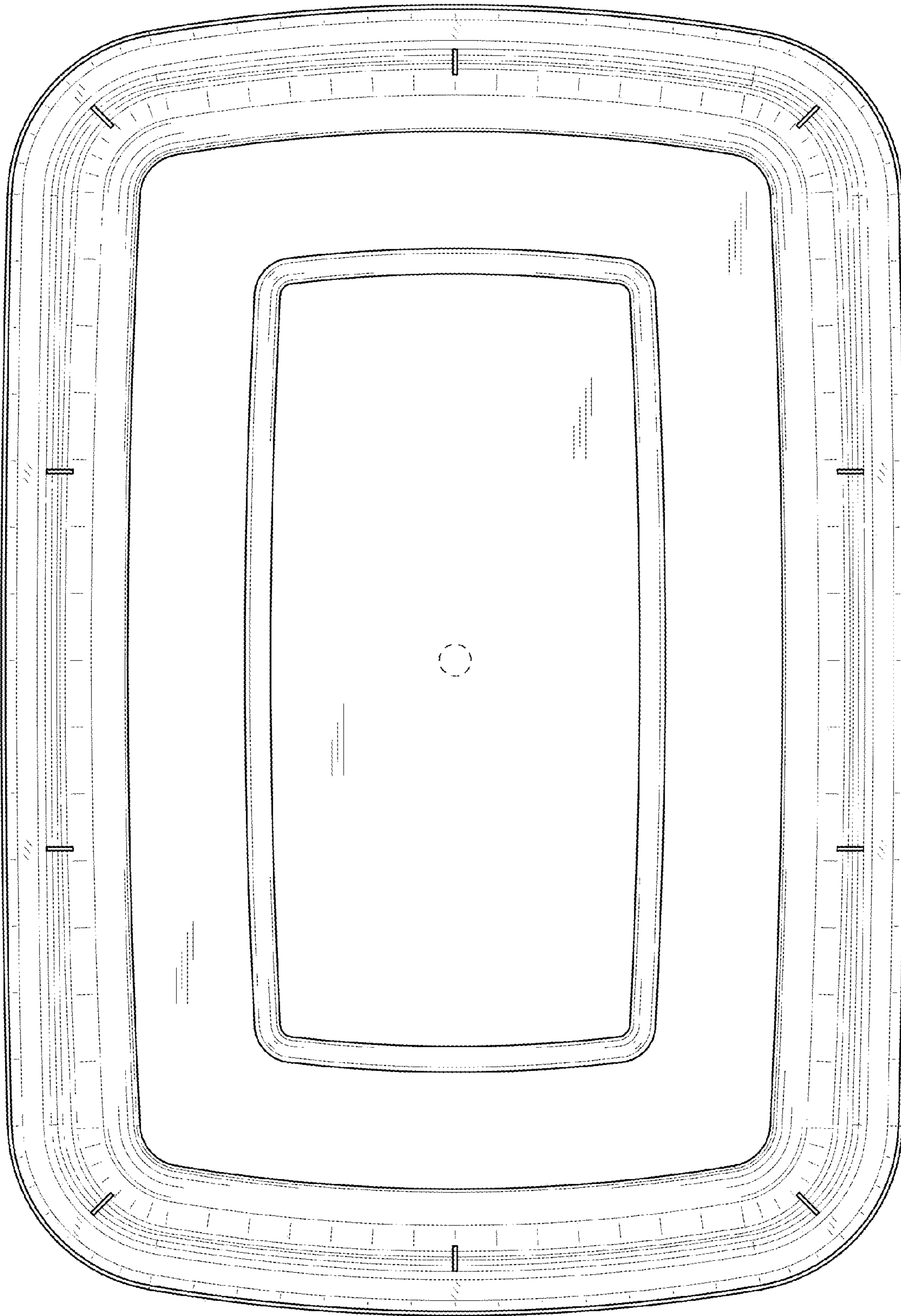


FIG. 11

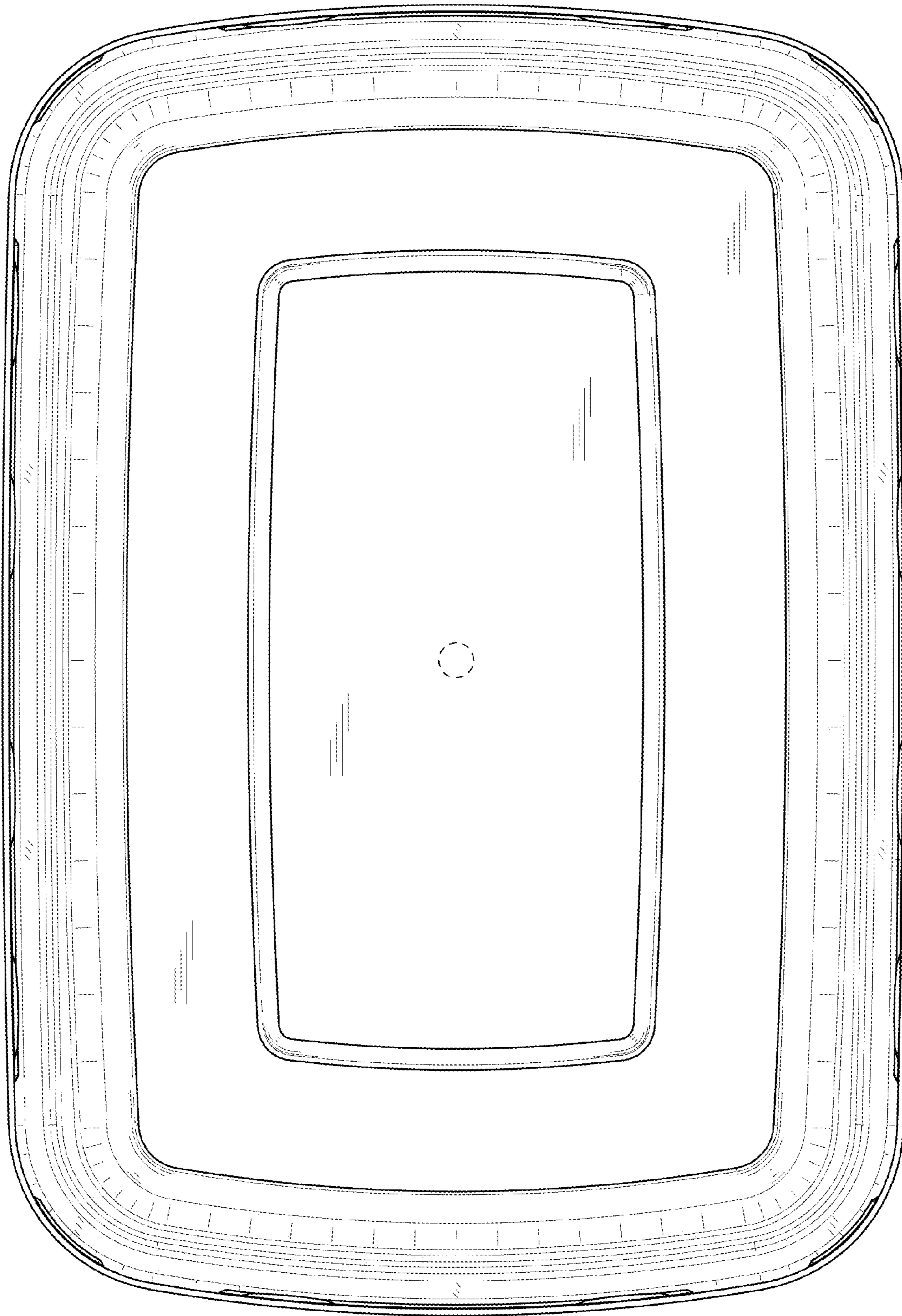


FIG. 12

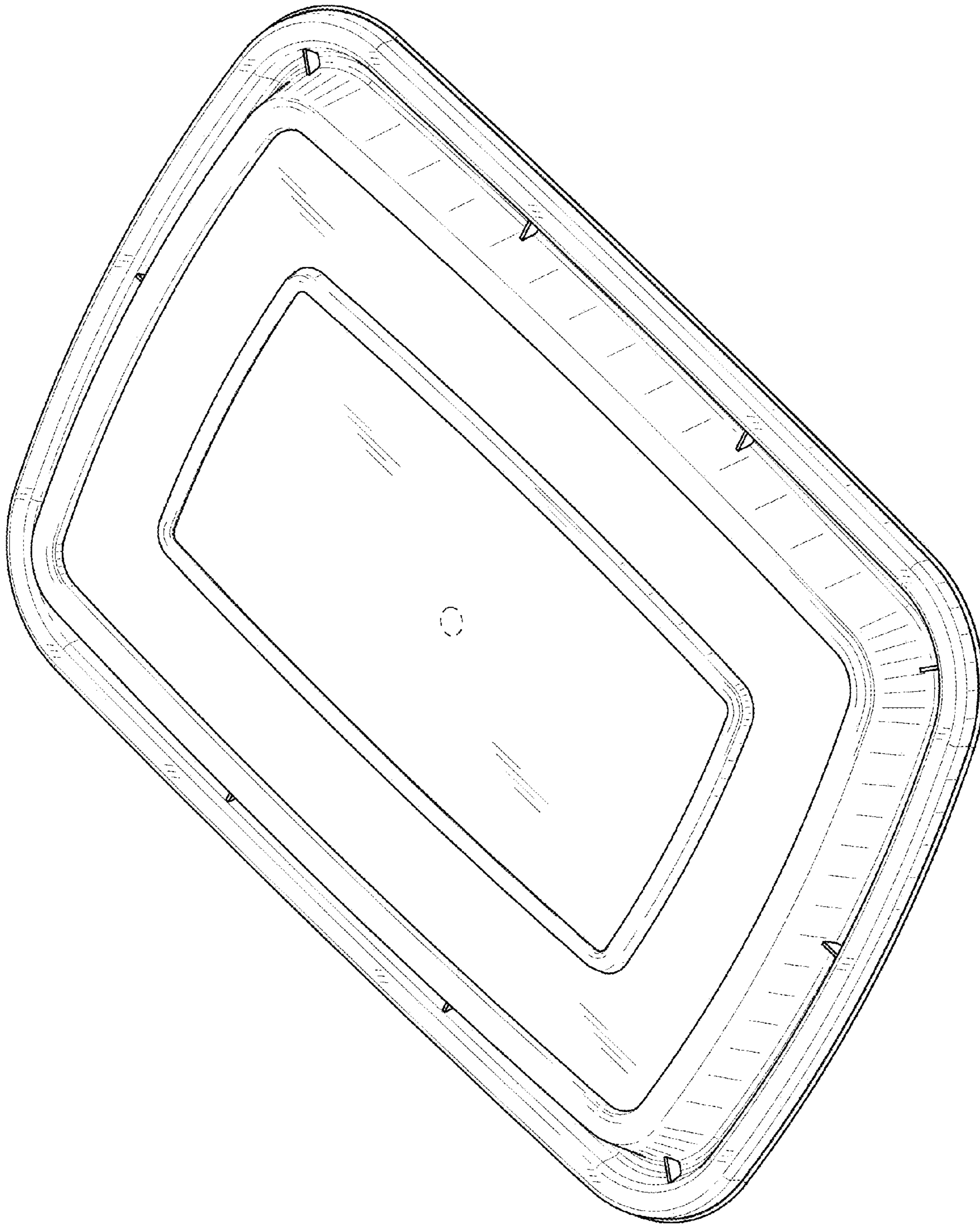


FIG. 13

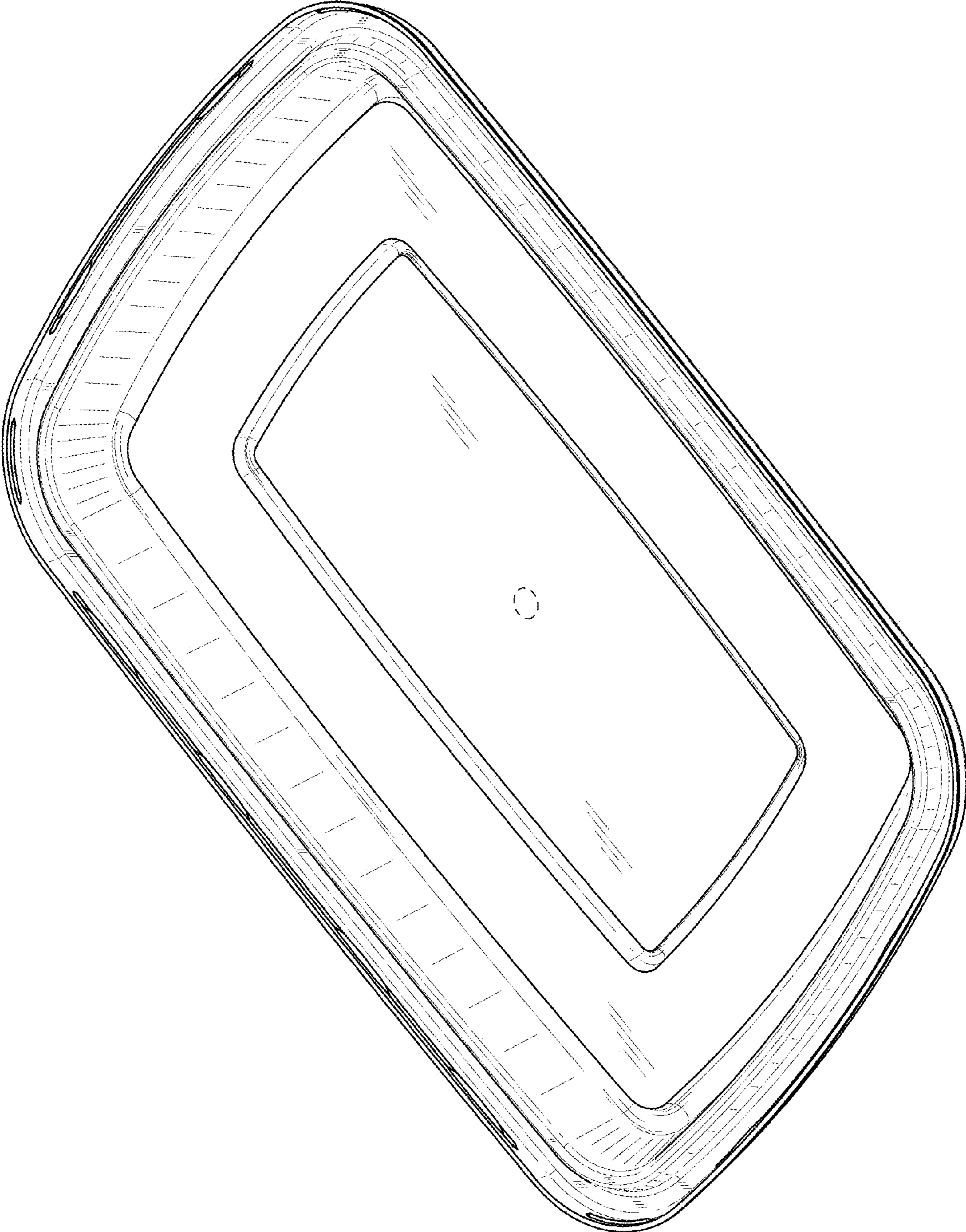


FIG. 14



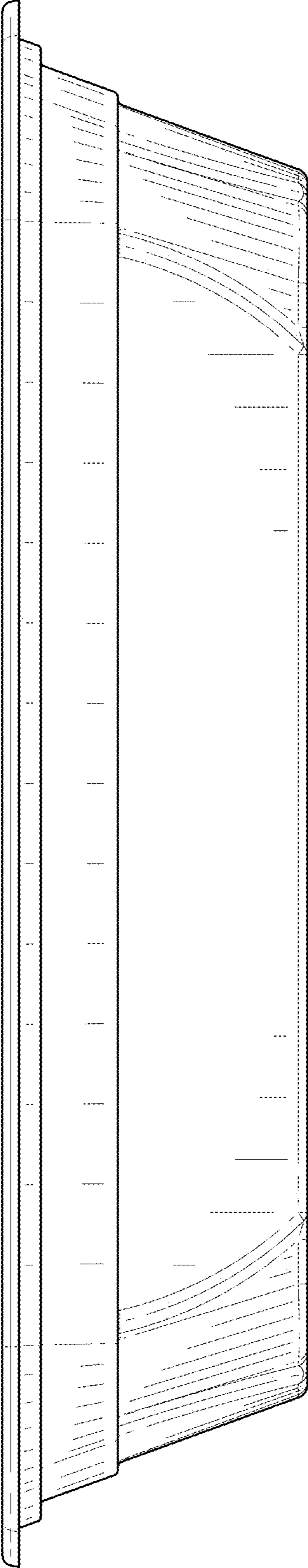


FIG. 15

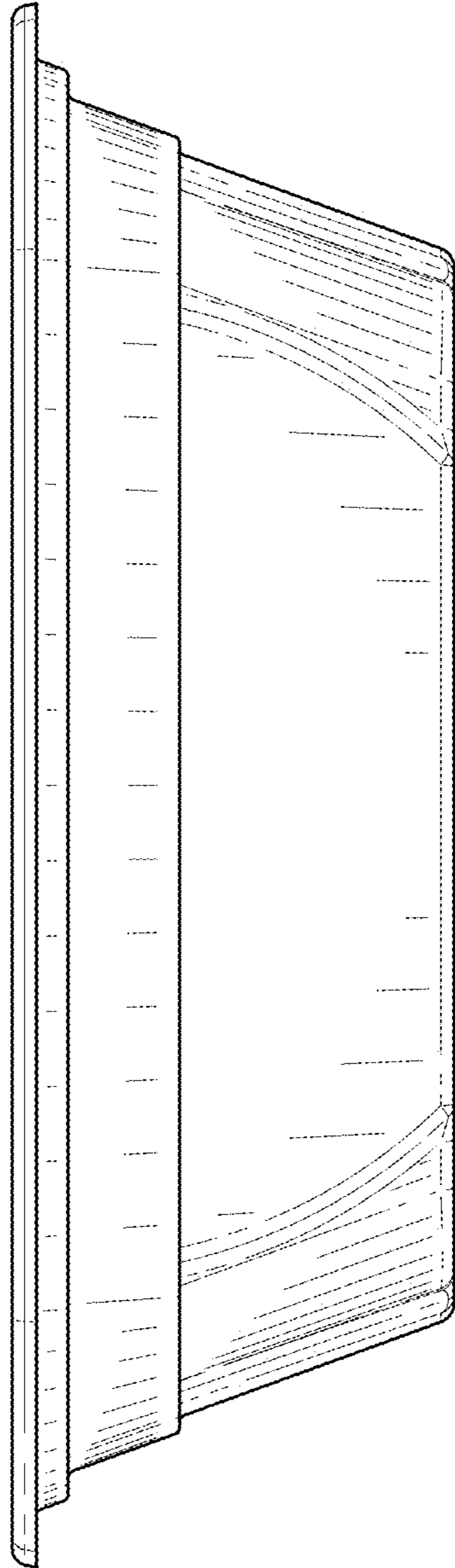


FIG. 16

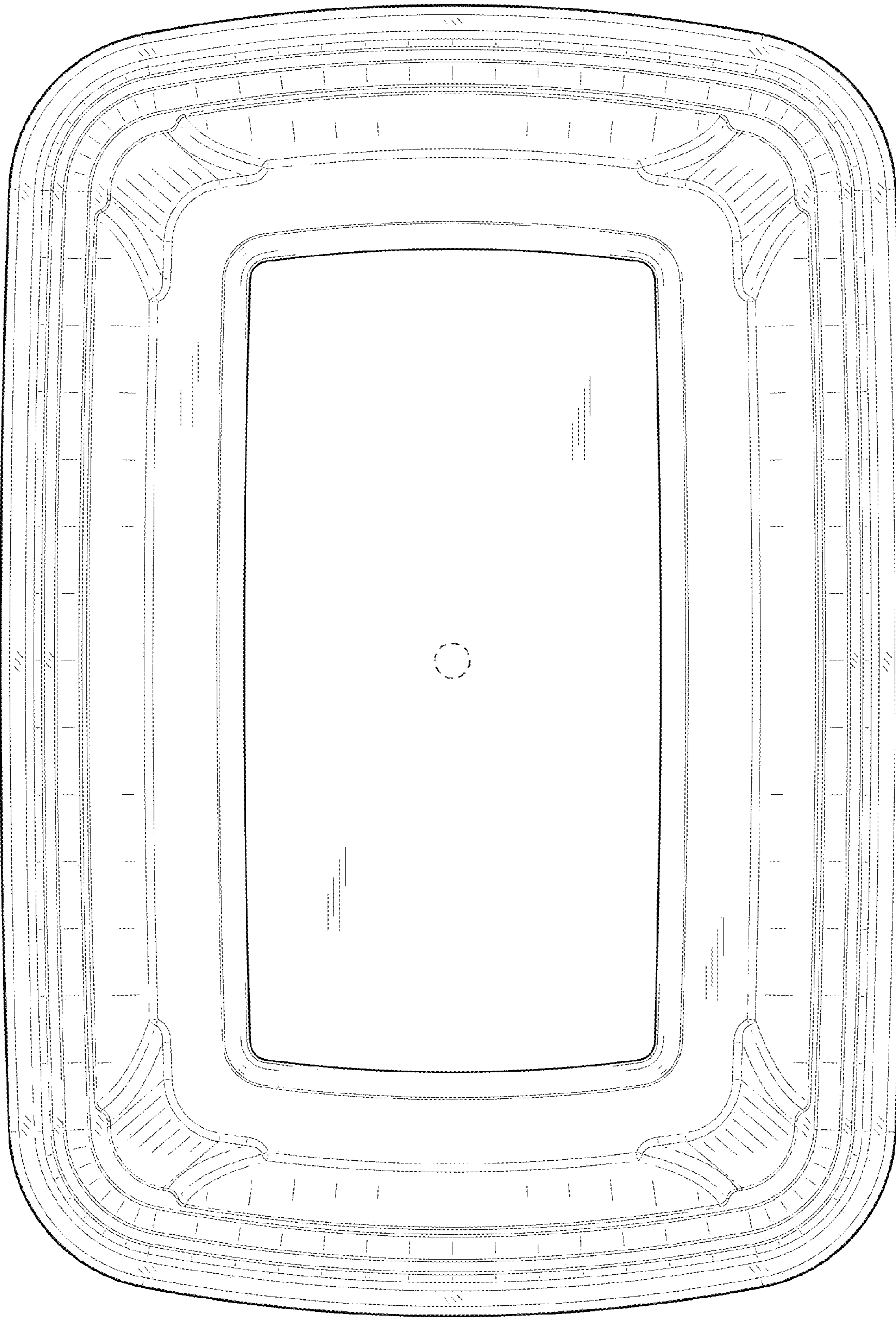


FIG. 17

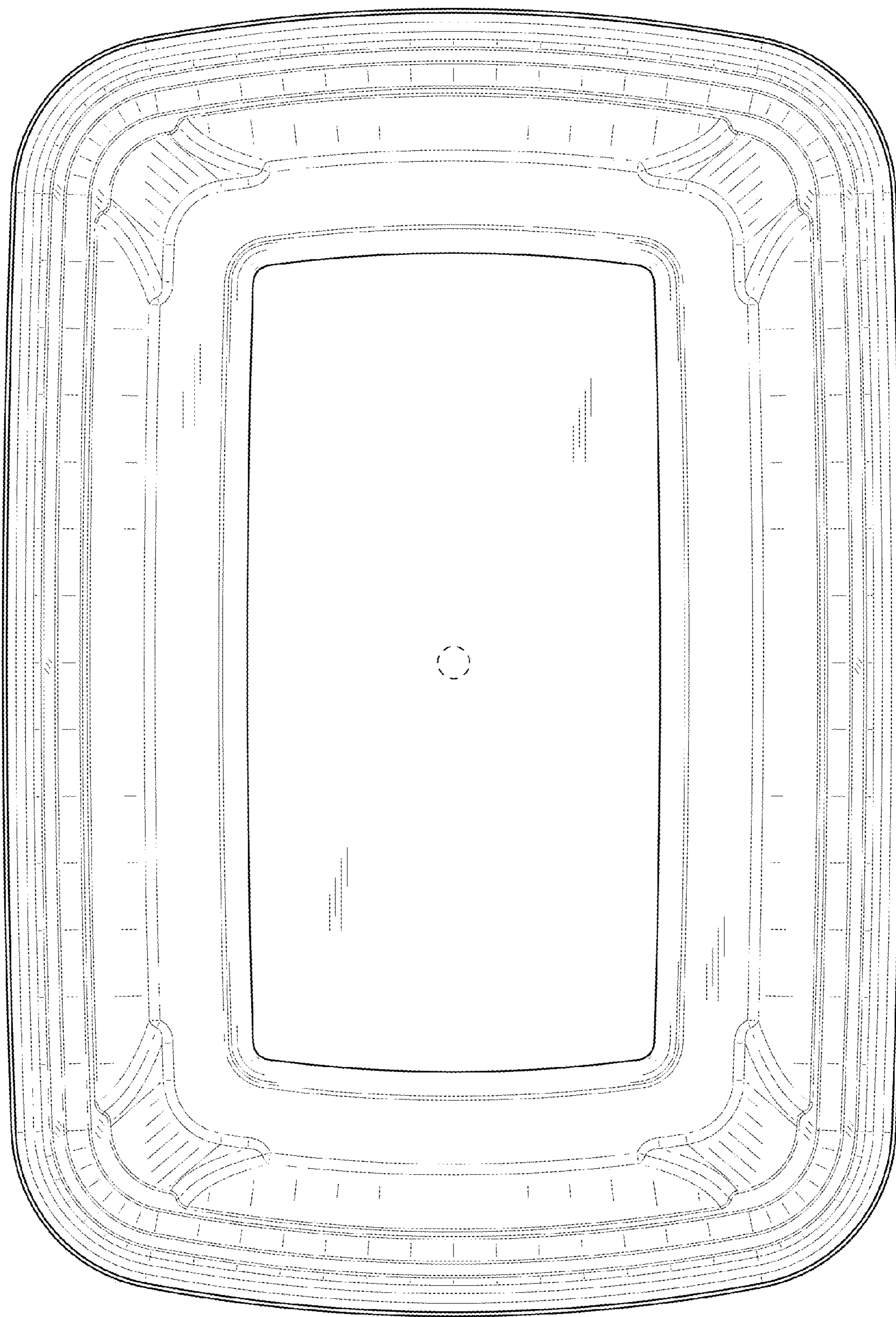


FIG. 18

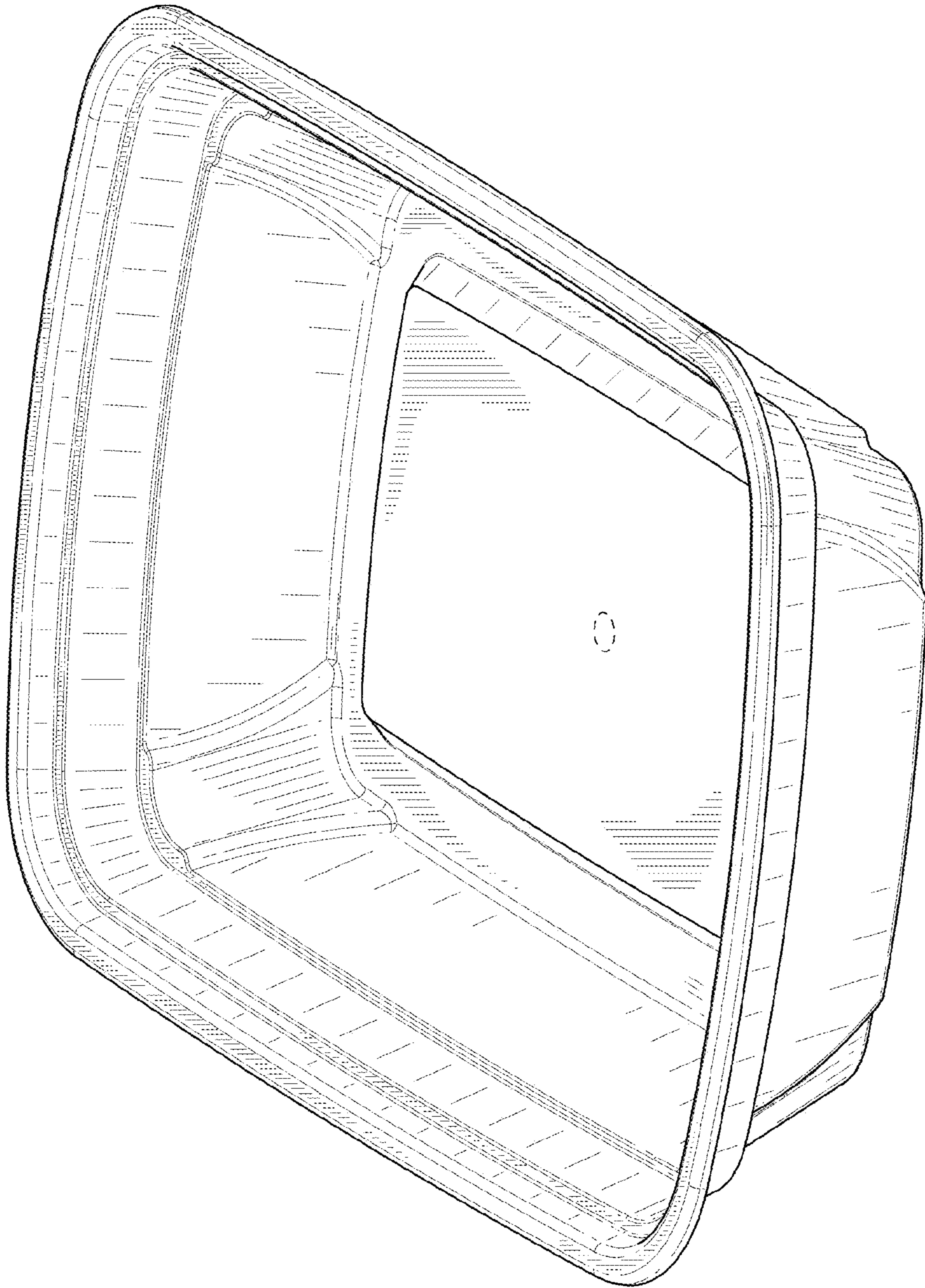


FIG. 19

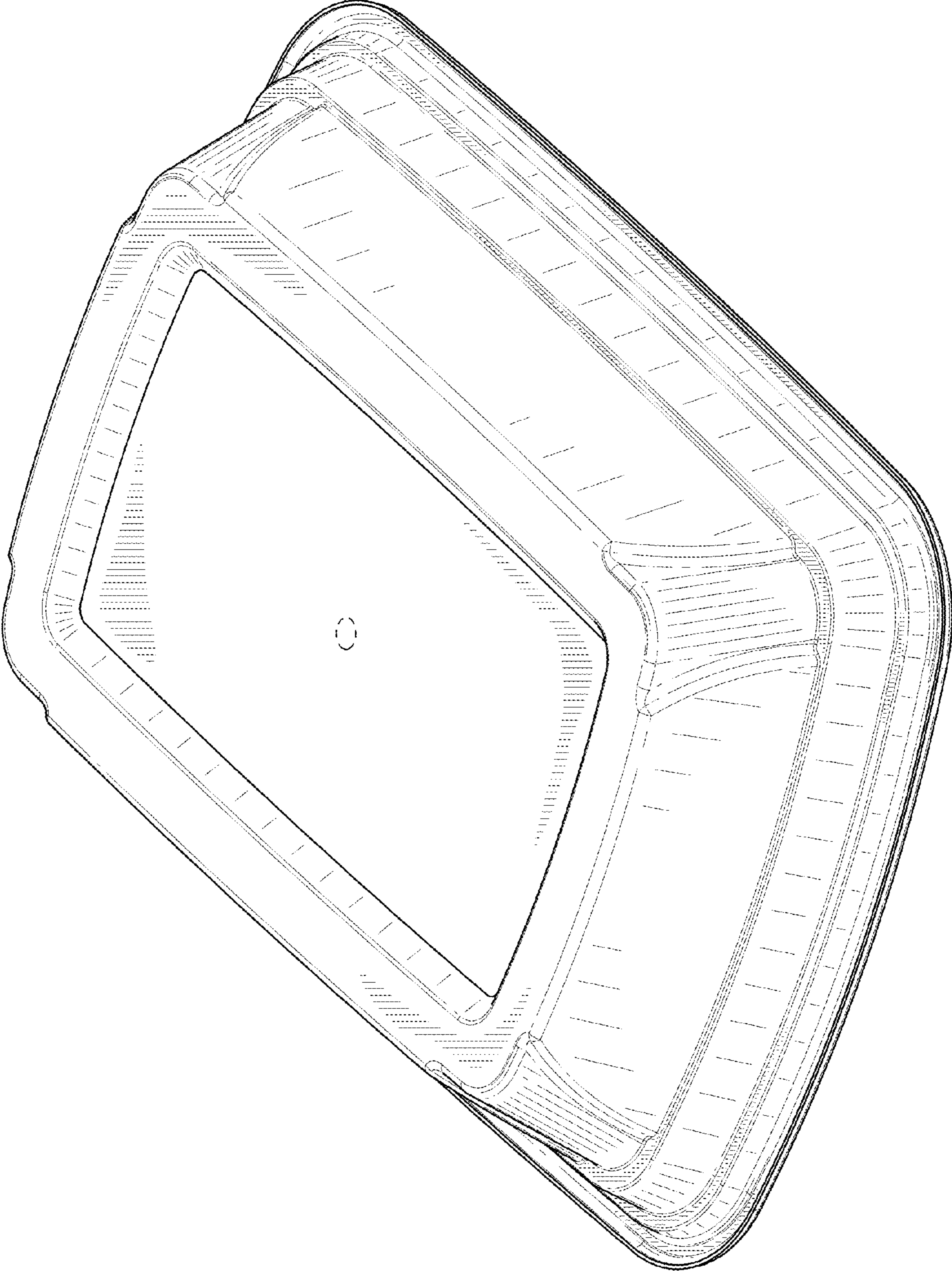


FIG. 20