



US00D880247S

(12) **United States Design Patent** (10) **Patent No.:** **US D880,247 S**
Kim (45) **Date of Patent:** **** Apr. 7, 2020**

(54) **STEAK CUP**
(71) Applicant: **Taewoo Kim**, Houston, TX (US)
(72) Inventor: **Taewoo Kim**, Houston, TX (US)
(**) Term: **15 Years**
(21) Appl. No.: **29/610,204**
(22) Filed: **Jul. 10, 2017**
(51) **LOC (12) Cl.** **07-07**
(52) **U.S. Cl.**
USPC **D7/602**
(58) **Field of Classification Search**
USPC D7/601, 602
CPC A47G 19/02; A47G 19/025
See application file for complete search history.

D738,491 S * 9/2015 Foley D24/121
D754,483 S * 4/2016 Elsaden D7/531
D770,240 S * 11/2016 Stover D7/629
D775,496 S * 1/2017 Szucs D7/629
D784,770 S * 4/2017 Likar D7/566
D787,715 S * 5/2017 Nechita D26/9
D793,227 S * 8/2017 Maskell D7/602
D793,857 S * 8/2017 Rice D9/425
D798,674 S * 10/2017 Zhou D7/624.2
D804,109 S * 11/2017 Anguiano-Duran D30/124
D806,482 S * 1/2018 Pallotto D7/602
D821,826 S * 7/2018 Vasquez D7/629
D832,053 S * 10/2018 Klimecki D7/566
D839,053 S * 1/2019 Huang D7/602
D861,437 S * 10/2019 Hartley D7/603
D864,669 S * 10/2019 Kemker D7/584
D867,071 S * 11/2019 Berger D7/584

* cited by examiner

Primary Examiner — Cynthia R Underwood
(74) *Attorney, Agent, or Firm* — Sang K. Lee; Dream Law

(56) **References Cited**

U.S. PATENT DOCUMENTS

D62,668 S * 7/1923 Connor D34/1
D92,458 S * 6/1934 Hart D7/560
D93,163 S * 8/1934 Forman D7/566
D156,855 S * 1/1950 Tupper D7/566
D170,138 S * 8/1953 Roop D34/1
D316,948 S * 5/1991 Mann D7/540
D430,710 S * 9/2000 Sheely D30/129
D430,959 S * 9/2000 Sheely D30/129
D465,887 S * 11/2002 Begnani D32/35
D510,842 S * 10/2005 Ray D7/567
D522,319 S * 6/2006 Palder D7/602
D592,458 S * 5/2009 Scherer D7/566
D593,806 S * 6/2009 Scherer D7/566
D598,715 S * 8/2009 Foss D7/602
D605,754 S * 12/2009 Nelson D24/121
D658,014 S * 4/2012 Miga, Jr. D7/629
D732,783 S * 6/2015 MacArthur D34/1

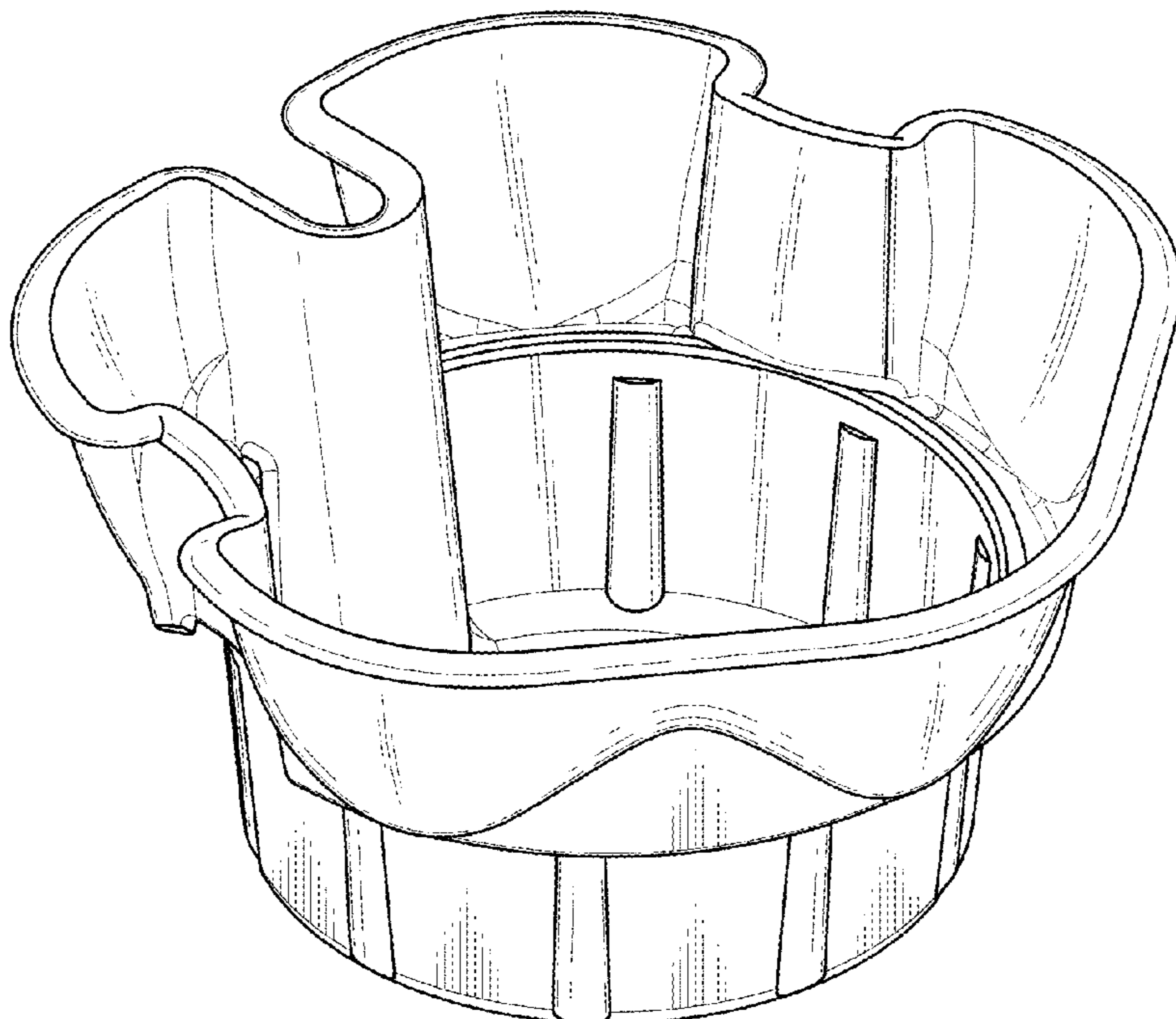
(57) **CLAIM**

The ornamental design for a steak cup, as shown and described.

DESCRIPTION

FIG. 1 is a perspective view of the steak cup showing my new design;
FIG. 2 is a front view thereof;
FIG. 3 is a rear view thereof;
FIG. 4 is a right side view thereof;
FIG. 5 is a left side view thereof;
FIG. 6 is a top view thereof; and,
FIG. 7 is a bottom view thereof.

1 Claim, 7 Drawing Sheets



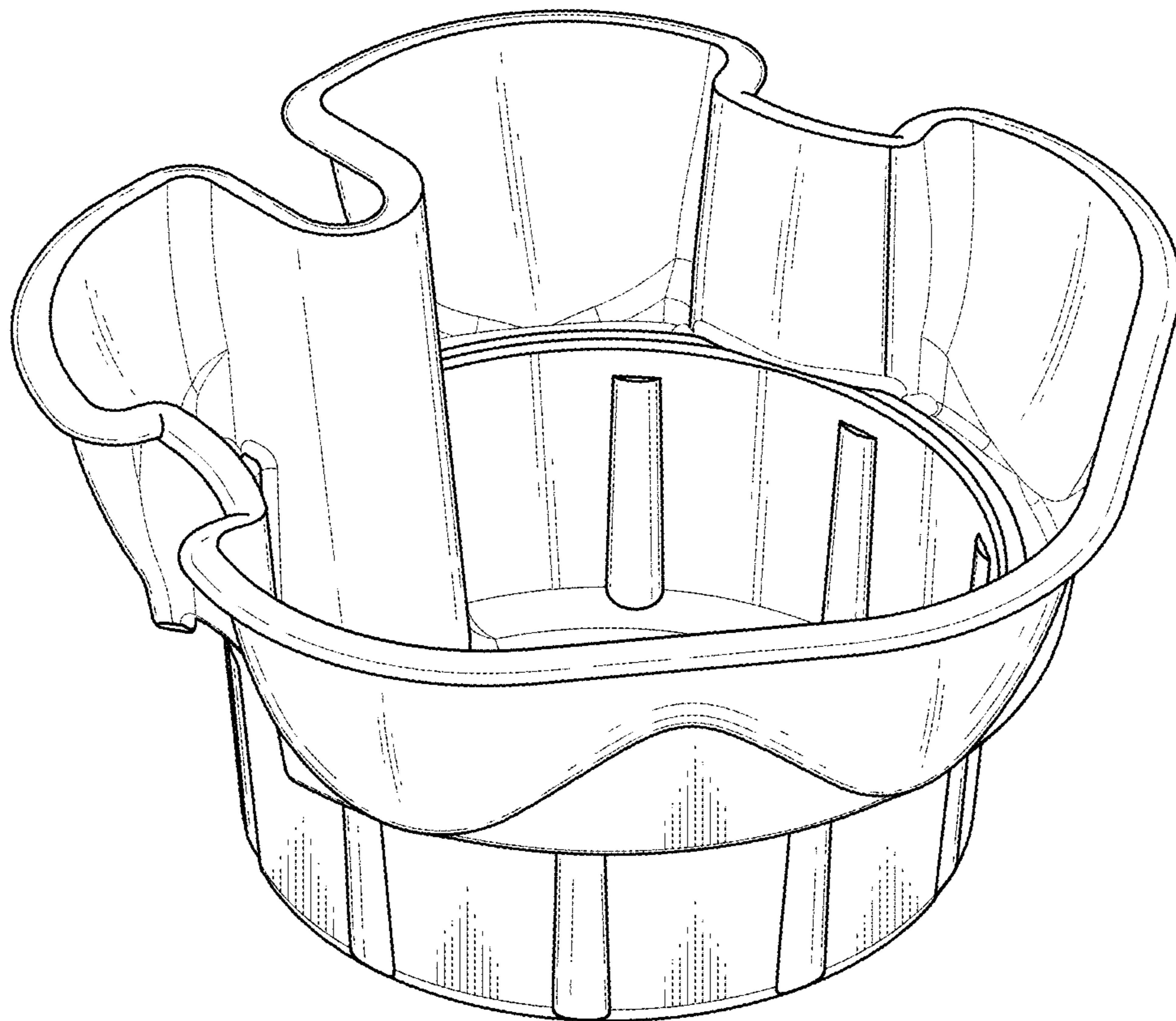


FIG. 1

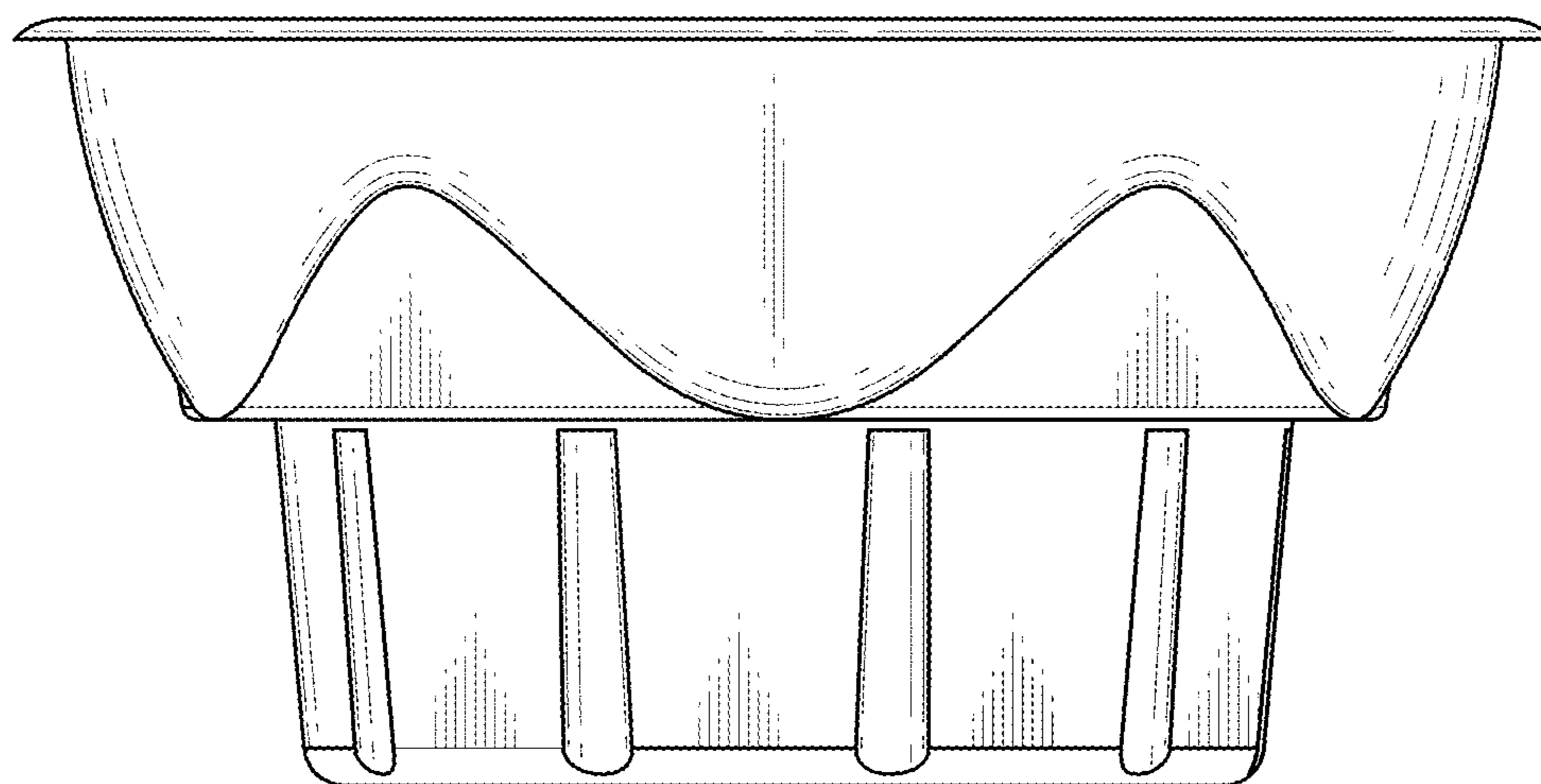


FIG. 2

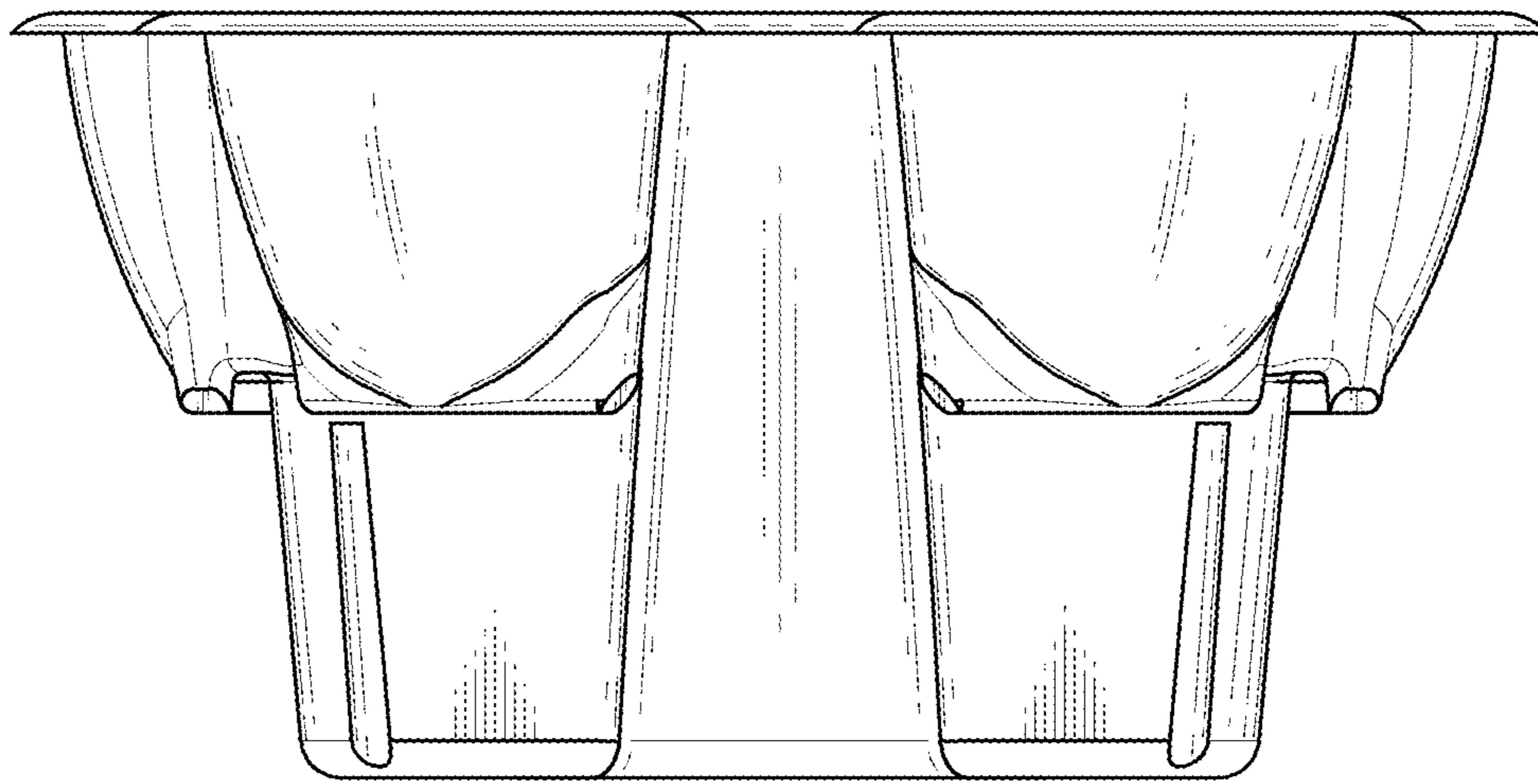


FIG. 3

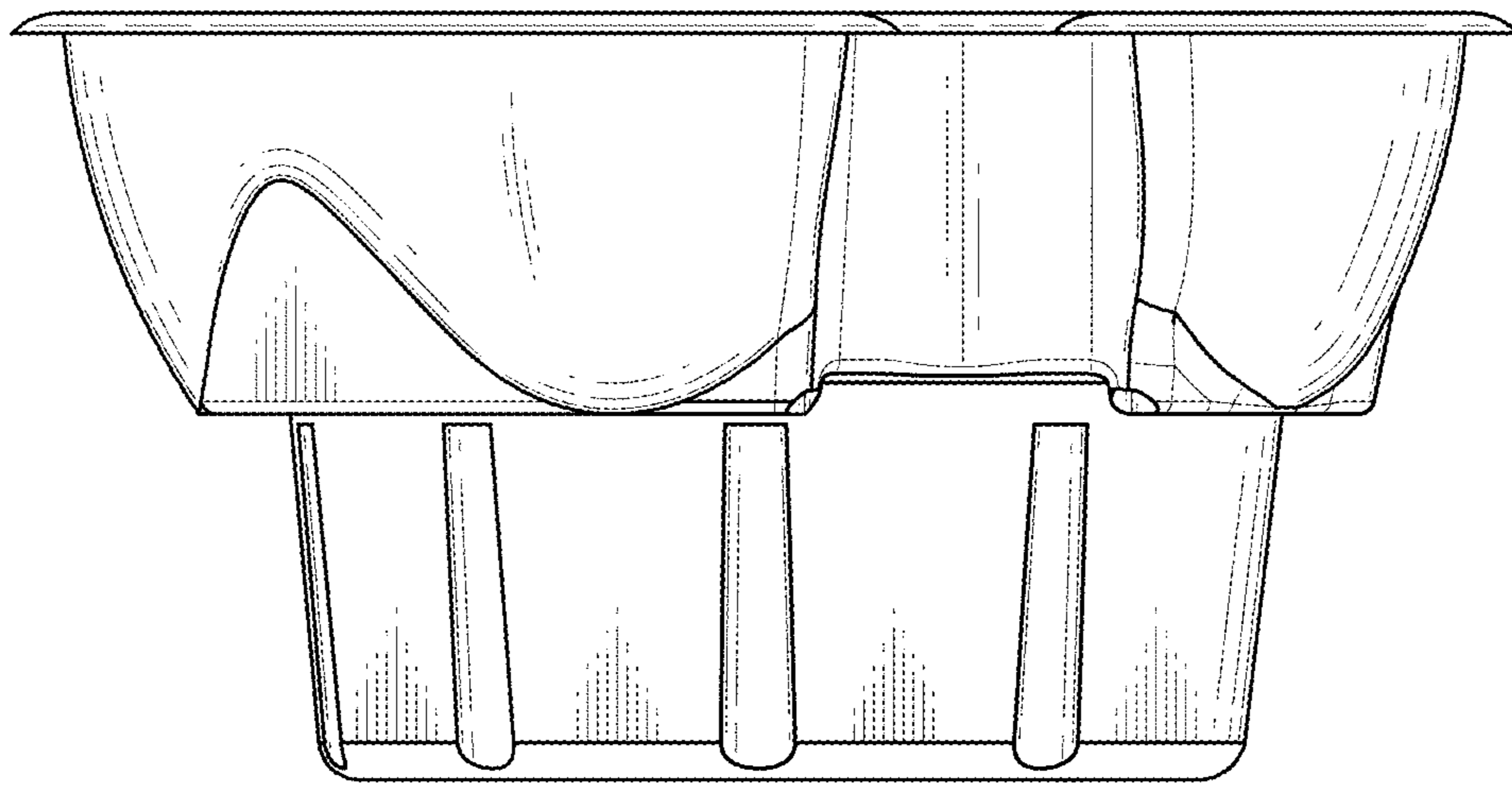


FIG. 4

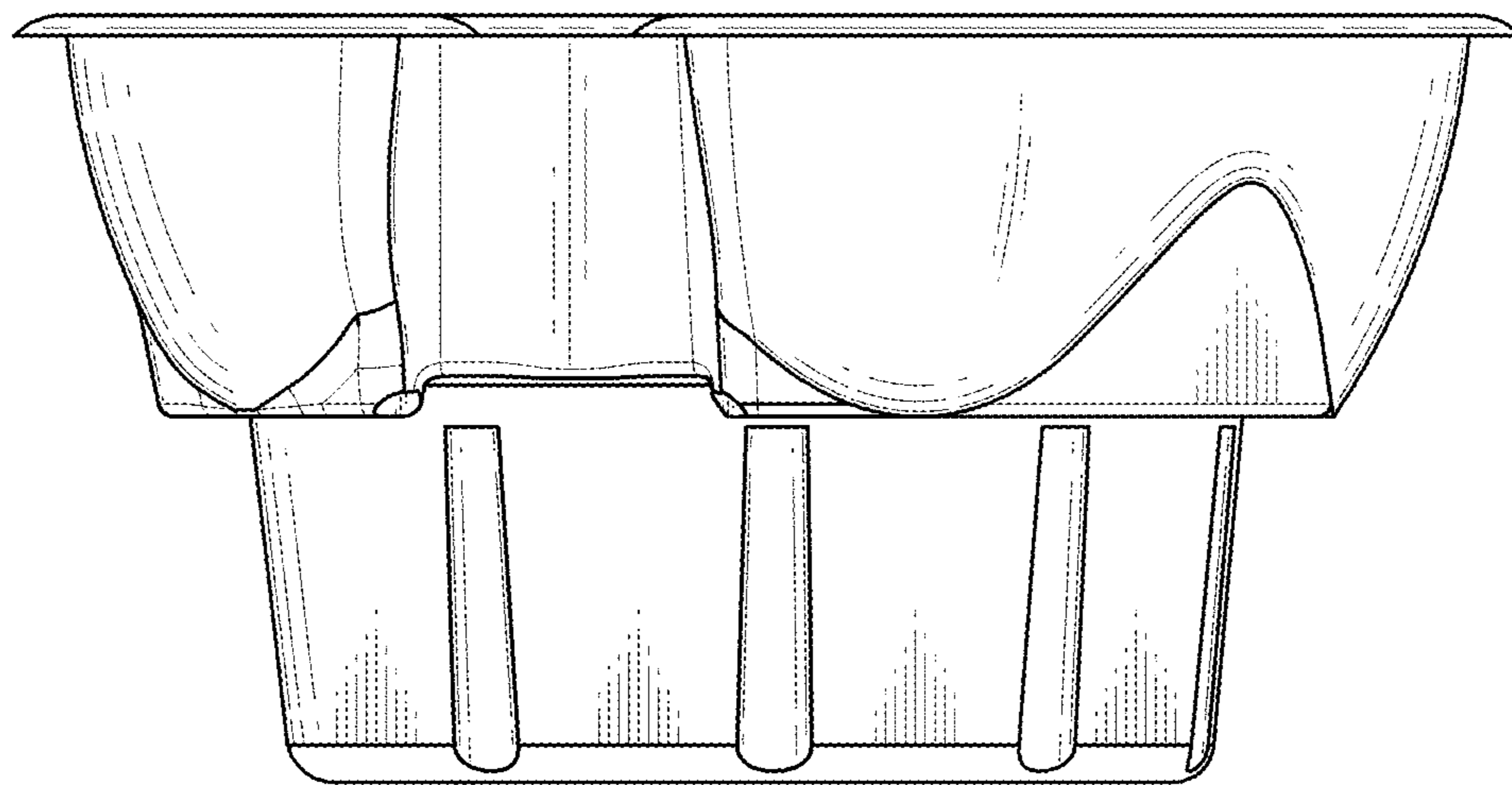


FIG. 5

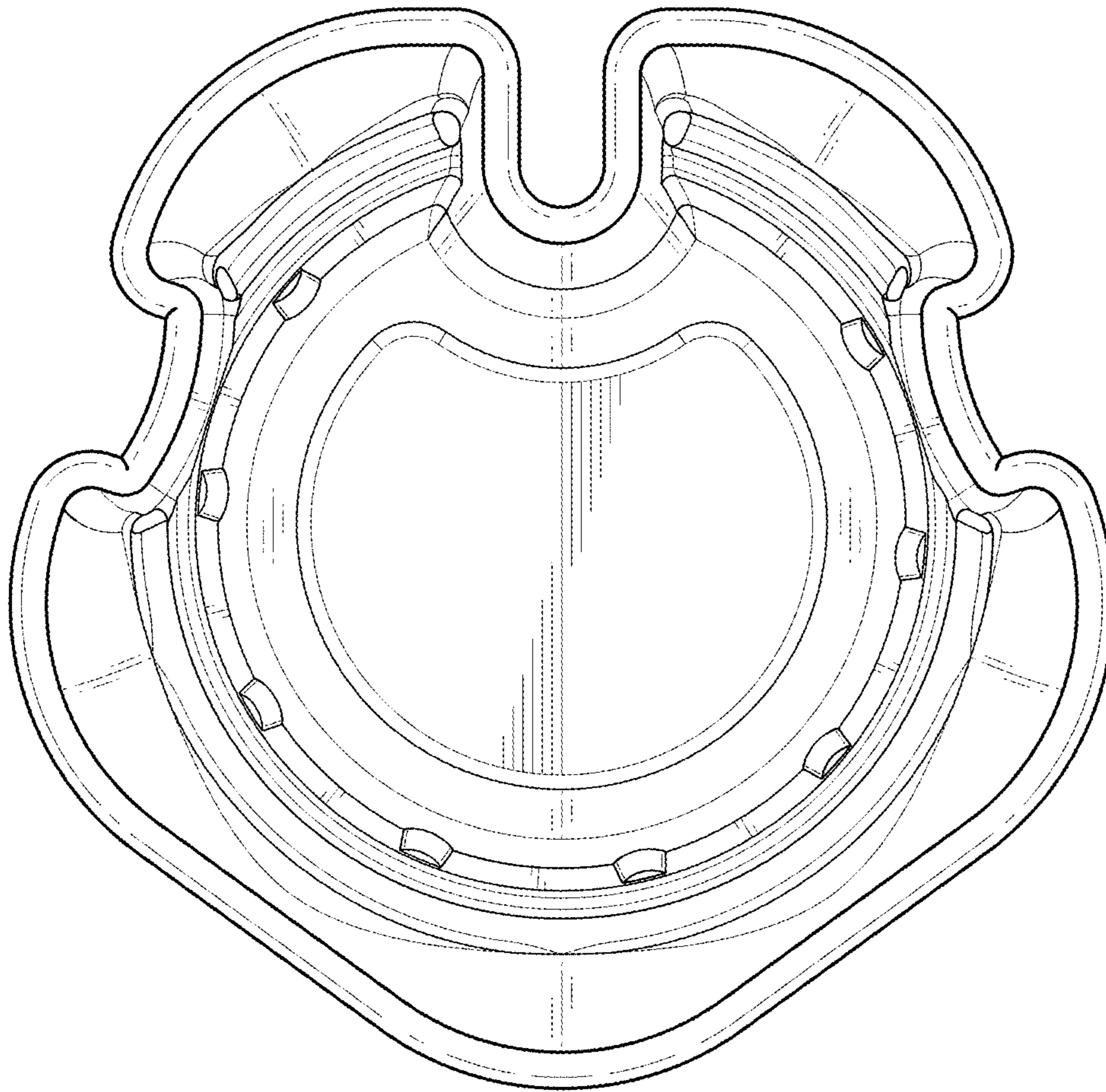


FIG. 6

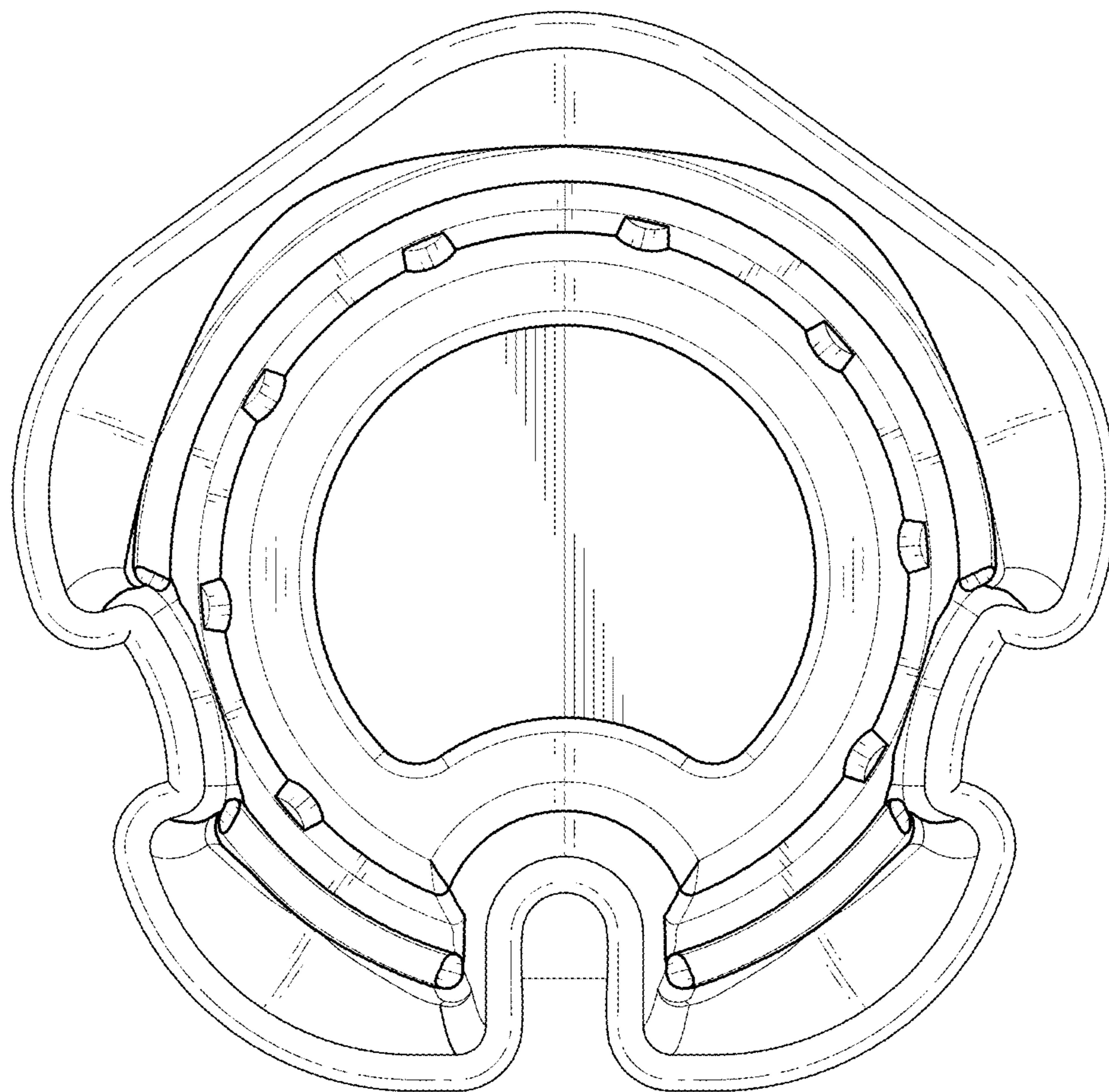


FIG. 7