



US00D880239S

(12) **United States Design Patent**
McConnell et al.

(10) **Patent No.:** **US D880,239 S**

(45) **Date of Patent:** **** Apr. 7, 2020**

(54) **JAR ATTACHMENT FOR A BLENDER ASSEMBLY**

(71) Applicant: **WHIRLPOOL CORPORATION**,
Benton Harbor, MI (US)

(72) Inventors: **John W. McConnell**, St. Joseph, MI (US); **Brandon T. Mock**, St. Joseph, MI (US)

(73) Assignee: **Whirlpool Corporation**, Benton Harbor, MI (US)

(**) Term: **15 Years**

(21) Appl. No.: **29/689,434**

(22) Filed: **Apr. 30, 2019**

Related U.S. Application Data

(62) Division of application No. 29/639,761, filed on Mar. 8, 2018, now Pat. No. Des. 852,574.

(51) **LOC (12) Cl.** **31-00**

(52) **U.S. Cl.**
USPC **D7/413; D7/376; D7/378; D7/412**

(58) **Field of Classification Search**
USPC **D7/372, 376-386, 412-413, 602, 629, D7/665-666, 669, 679, 693-694**
(Continued)

(56) **References Cited**

U.S. PATENT DOCUMENTS

D176,257 S 12/1955 Hill et al.
D181,541 S 11/1957 Madl et al.
(Continued)

Primary Examiner — Ricky Pham

(74) *Attorney, Agent, or Firm* — Price Heneveld LLP

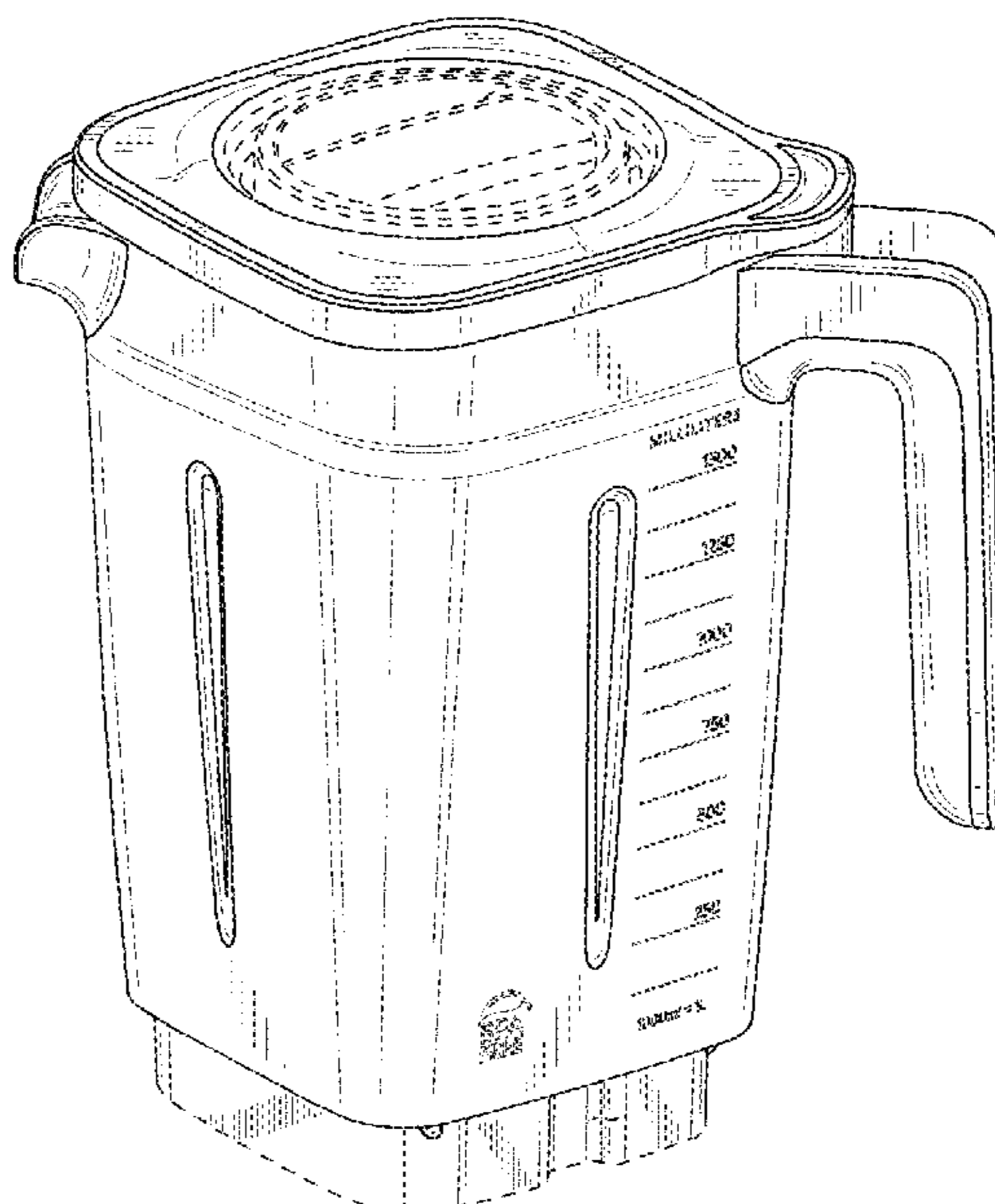
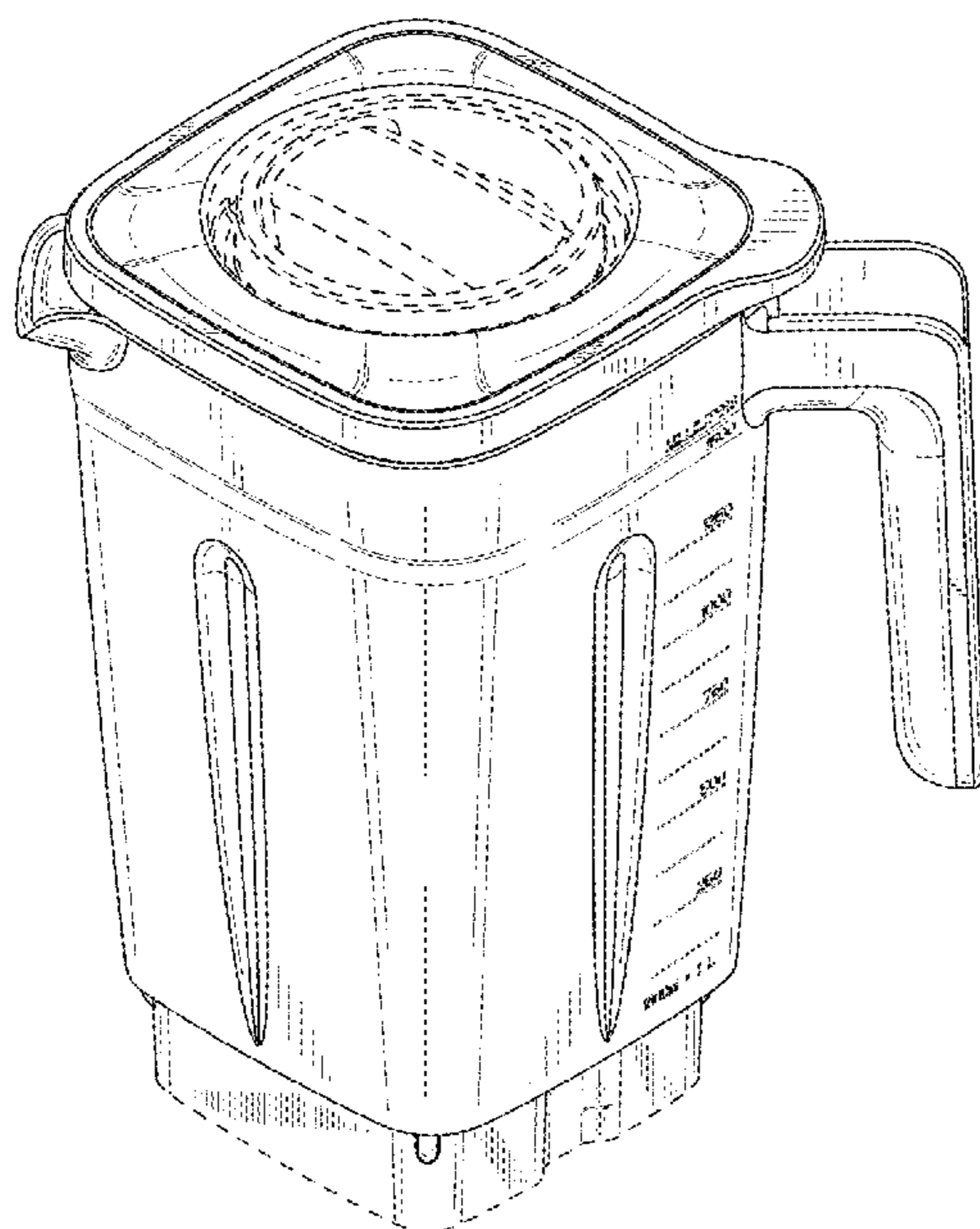
(57) **CLAIM**

We claim the ornamental design for a jar attachment for a blender assembly, as shown and described.

DESCRIPTION

FIG. 1 is a front top perspective view illustrating a jar attachment for a blender assembly of the present disclosure; FIG. 2 is a rear top perspective view of the jar attachment for a blender assembly of FIG. 1; FIG. 3 is a front elevational view of the jar attachment for a blender assembly of FIG. 1; FIG. 4 is a rear elevational view of the jar attachment for a blender assembly of FIG. 1; FIG. 5 is a first side elevational view of the jar attachment for a blender assembly of FIG. 1; FIG. 6 is a second side elevational view of the jar attachment for a blender assembly of FIG. 1; FIG. 7 is a top plan view of the jar attachment for a blender assembly of FIG. 1; FIG. 8 is a bottom plan view of the jar attachment for a blender assembly of FIG. 1; FIG. 9 is a front top perspective view illustrating a jar attachment for a blender assembly of the present disclosure; FIG. 10 is a rear top perspective view of the jar attachment for a blender assembly of FIG. 9; FIG. 11 is a front elevational view of the jar attachment for a blender assembly of FIG. 9; FIG. 12 is a rear elevational view of the jar attachment for a blender assembly of FIG. 9; FIG. 13 is a first side elevational view of the jar attachment for a blender assembly of FIG. 9; FIG. 14 is a second side elevational view of the jar attachment for a blender assembly of FIG. 9; FIG. 15 is a top plan view of the jar attachment for a blender assembly of FIG. 9; and, FIG. 16 is a bottom plan view of the jar attachment for a blender assembly of FIG. 9. The broken lines depict portions of the article that form no part of the claimed design.

1 Claim, 16 Drawing Sheets



(58) **Field of Classification Search**

CPC A21C 1/02; A21C 1/04; A23N 1/00; A23N 1/02; A47J 36/10; A47J 43/04; A47J 43/25; A47J 43/27; A47J 43/042; A47J 43/044; A47J 43/046; A47J 43/075; A47J 43/0722; A47J 43/0727; B01F 3/00; B01F 3/0807; B01F 3/0853; B01F 7/1675; B01F 13/0059; B01F 13/0064; B02C 1/08; B02C 2/04; B02C 4/42; B02C 4/142; B02C 4/143; B02C 4/423; B02C 13/1835; B28C 5/10; B28C 5/12; B28C 5/14; B28C 5/16

See application file for complete search history.

(56) **References Cited**

U.S. PATENT DOCUMENTS

D187,684 S	4/1960	Hauser et al.	
D200,494 S	3/1965	Bezark, Jr.	
D287,327 S	12/1986	Cavalli	
D310,153 S	8/1990	Kaiser	
D424,865 S	5/2000	Crescenzi et al.	
D444,995 S	7/2001	Thackray	
D484,357 S	12/2003	Seum et al.	
D488,344 S	4/2004	Seum et al.	
D502,047 S	2/2005	Ledingham et al.	
D502,842 S	3/2005	Hallar	
D526,531 S	8/2006	Drees et al.	
D528,363 S *	9/2006	Ulanski	D7/413
D533,395 S	12/2006	Drees et al.	
D547,601 S	7/2007	Ting et al.	
D552,412 S	10/2007	Steiner	
D577,257 S	9/2008	Kuan	
D577,537 S	9/2008	Lee	
D578,341 S	10/2008	Picozza et al.	
D587,064 S	2/2009	Mark	
D594,697 S	6/2009	Lavy	
D605,462 S	12/2009	Picozza et al.	
D616,244 S	5/2010	Thai et al.	
D617,136 S	6/2010	Bock et al.	
D631,282 S	1/2011	Ferraby	
D637,870 S	5/2011	Bock	
D642,858 S	8/2011	Lazzer	

D644,480 S	9/2011	Czach et al.	
D662,359 S *	6/2012	Boozer	D7/376
D664,808 S *	8/2012	Dickson, Jr.	D7/376
D667,683 S	9/2012	Czach et al.	
D670,531 S	11/2012	Carlson	
D683,180 S	5/2013	Carlson	
D694,572 S	12/2013	Kobos et al.	
D694,573 S	12/2013	Norland et al.	
D694,574 S	12/2013	Norland et al.	
D694,582 S	12/2013	Norland	
D694,583 S	12/2013	Norland	
D702,993 S	4/2014	Lownds	
D711,682 S	8/2014	Norland et al.	
D731,234 S	6/2015	Weaden et al.	
D731,236 S	6/2015	Yin	
D739,679 S	9/2015	Benoit et al.	
D742,172 S *	11/2015	Dickson, Jr.	D7/376
D747,135 S	1/2016	Ha	
D755,004 S	5/2016	Bock et al.	
D761,617 S	7/2016	Dennisur et al.	
9,420,915 B2 *	8/2016	Dickson, Jr.	B01F 7/1675
D769,061 S	10/2016	Diderotto	
D770,226 S	11/2016	McConnell et al.	
D772,008 S	11/2016	McConnell et al.	
D772,009 S	11/2016	McConnell et al.	
D781,098 S	3/2017	Bond et al.	
D784,071 S	4/2017	Davies	
D786,613 S	5/2017	McConnell et al.	
D791,541 S *	7/2017	Stumph	D7/376
D794,381 S	8/2017	McConnell et al.	
D798,101 S *	9/2017	Rose	D7/376
D798,109 S *	9/2017	Ulanski	D7/376
D798,653 S	10/2017	Fan	
D808,719 S *	1/2018	Coakley	D7/413
D811,806 S	3/2018	Bock	
D815,886 S *	4/2018	Huang	D7/378
D815,887 S	4/2018	Huang et al.	
D828,080 S	9/2018	Ou et al.	
D829,496 S	10/2018	Kim	
D839,670 S *	2/2019	Youngmann	D7/413
2006/0261066 A1 *	11/2006	Boozer	A47J 36/10 220/254.7
2014/0084094 A1 *	3/2014	Lee	A47J 43/046 241/101.3

* cited by examiner

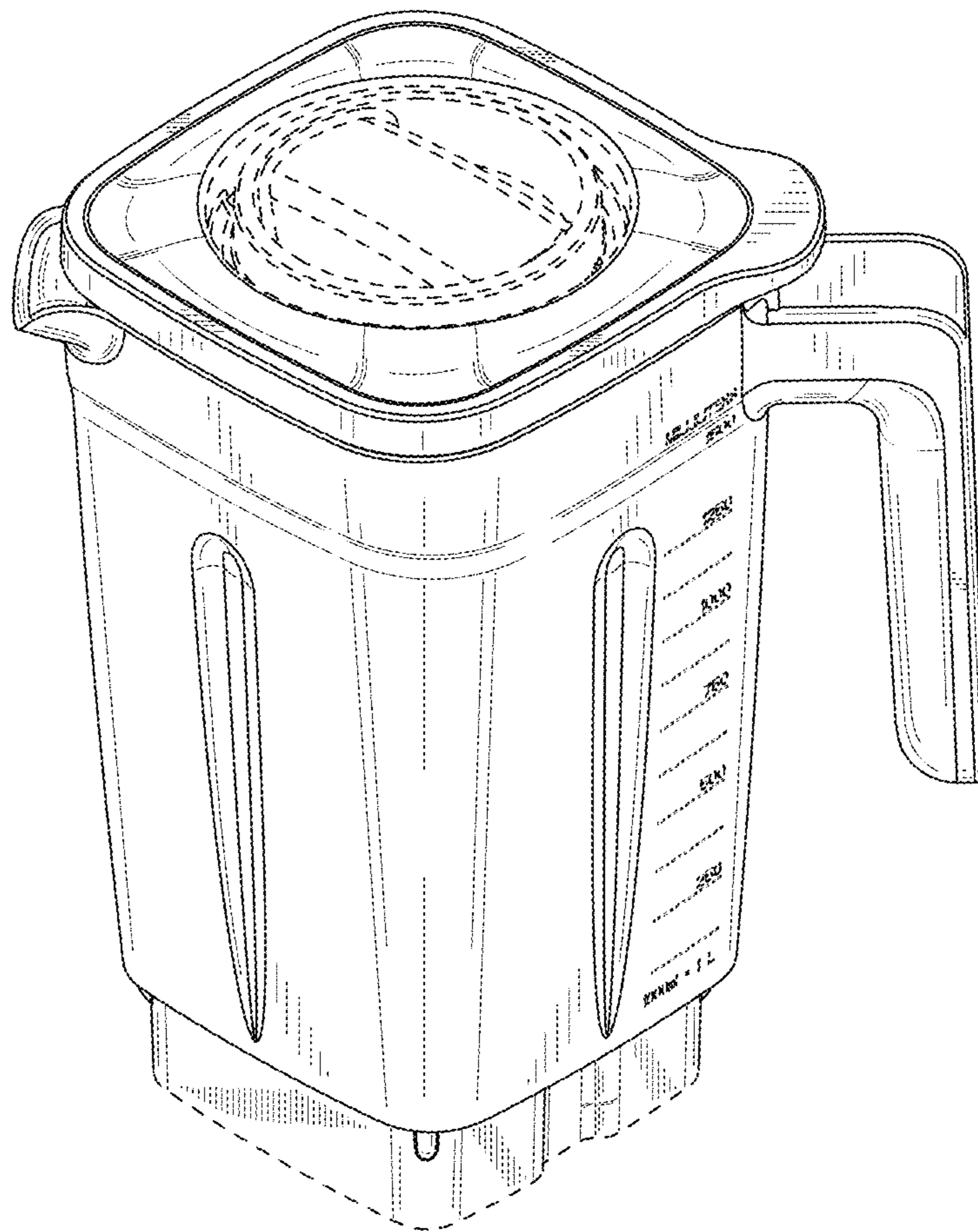


FIG. 1

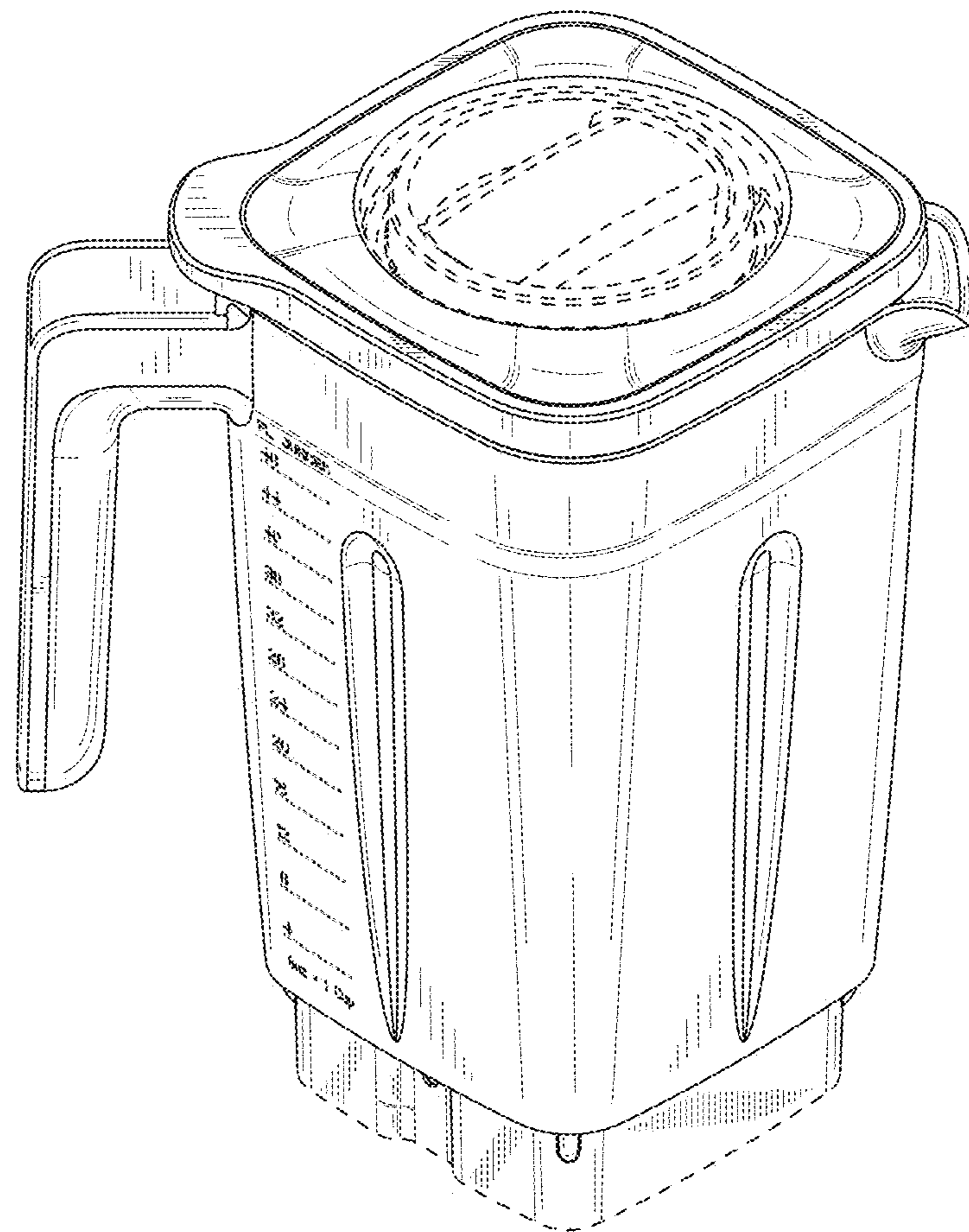


FIG. 2

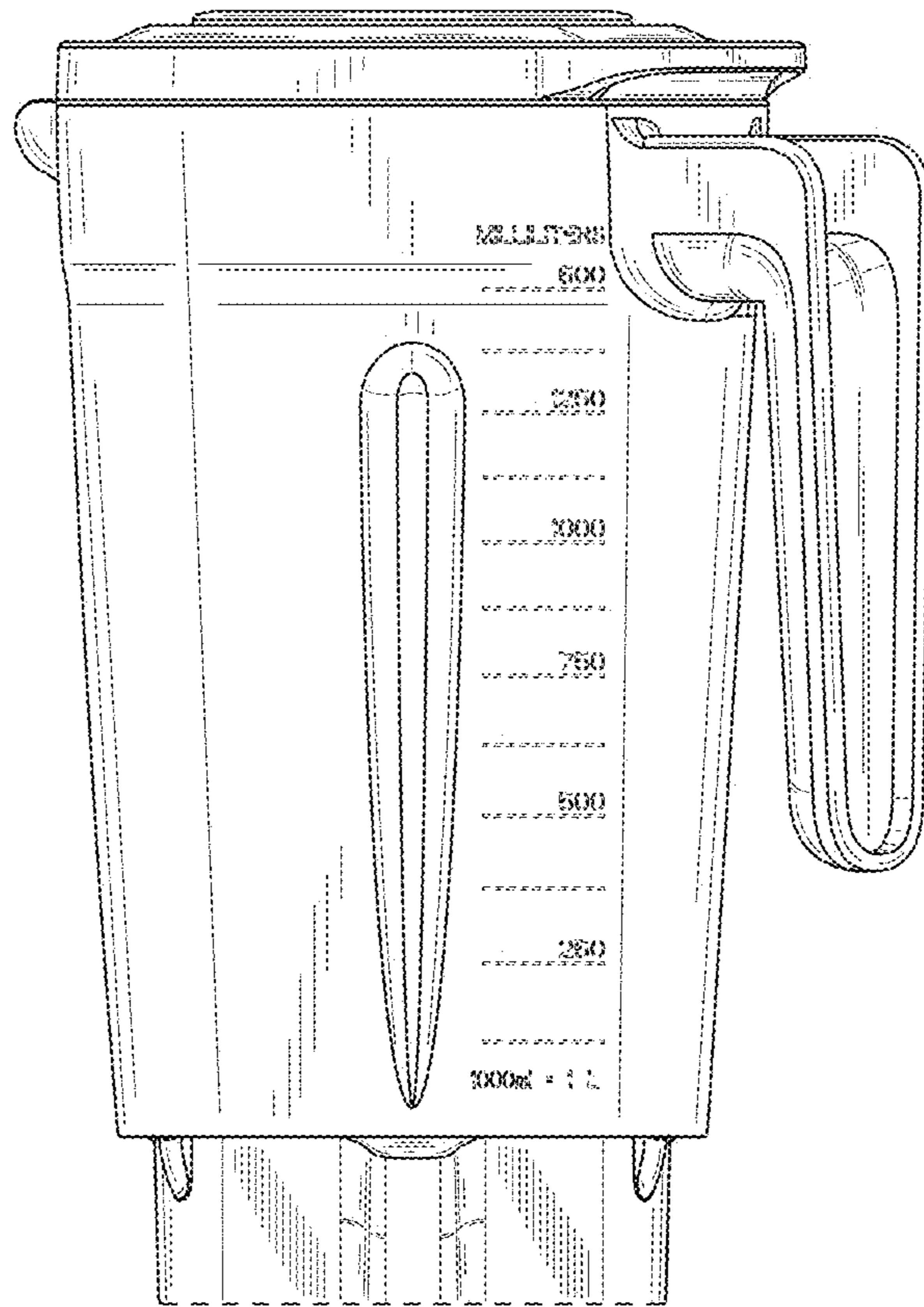


FIG. 3

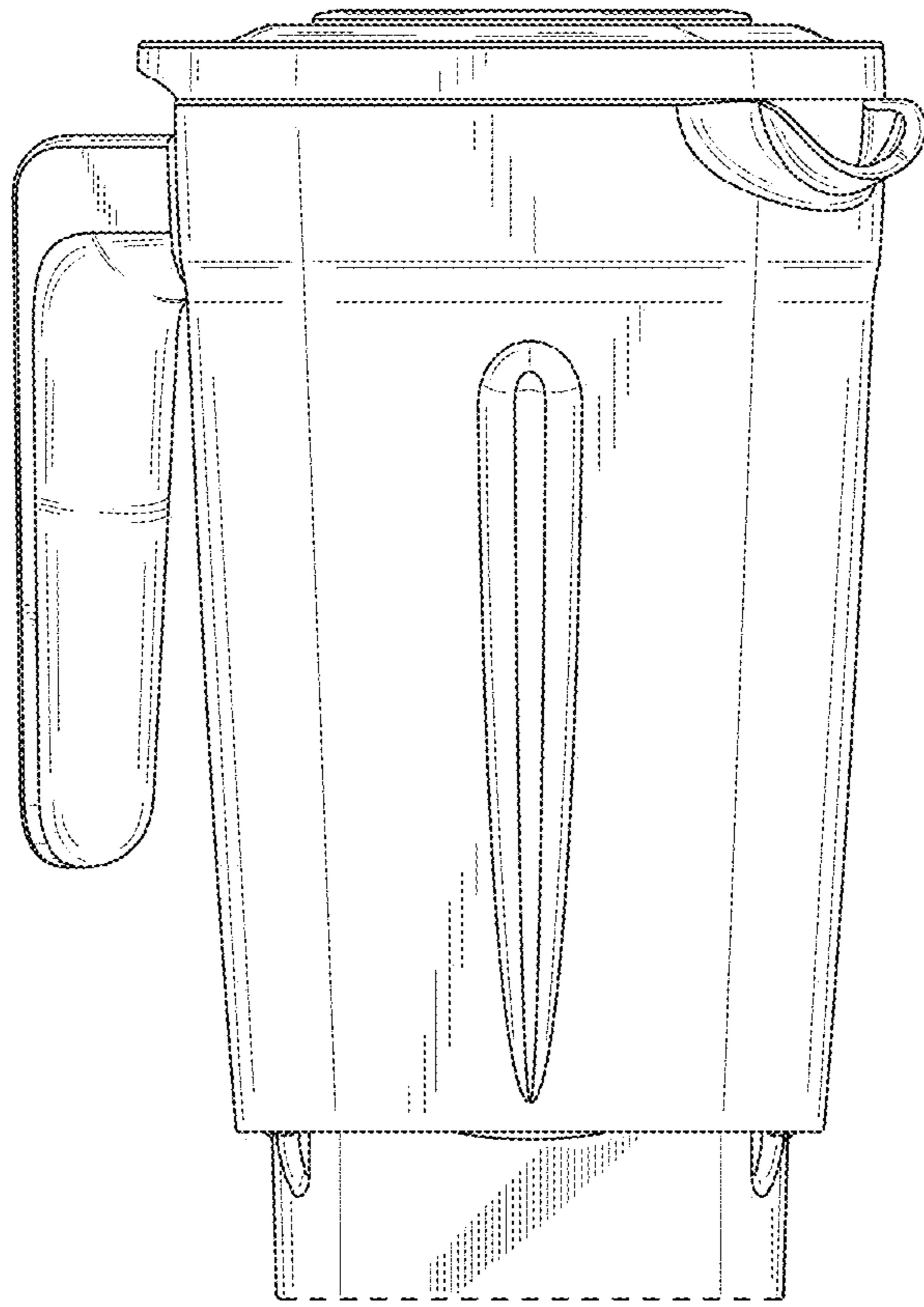


FIG. 4

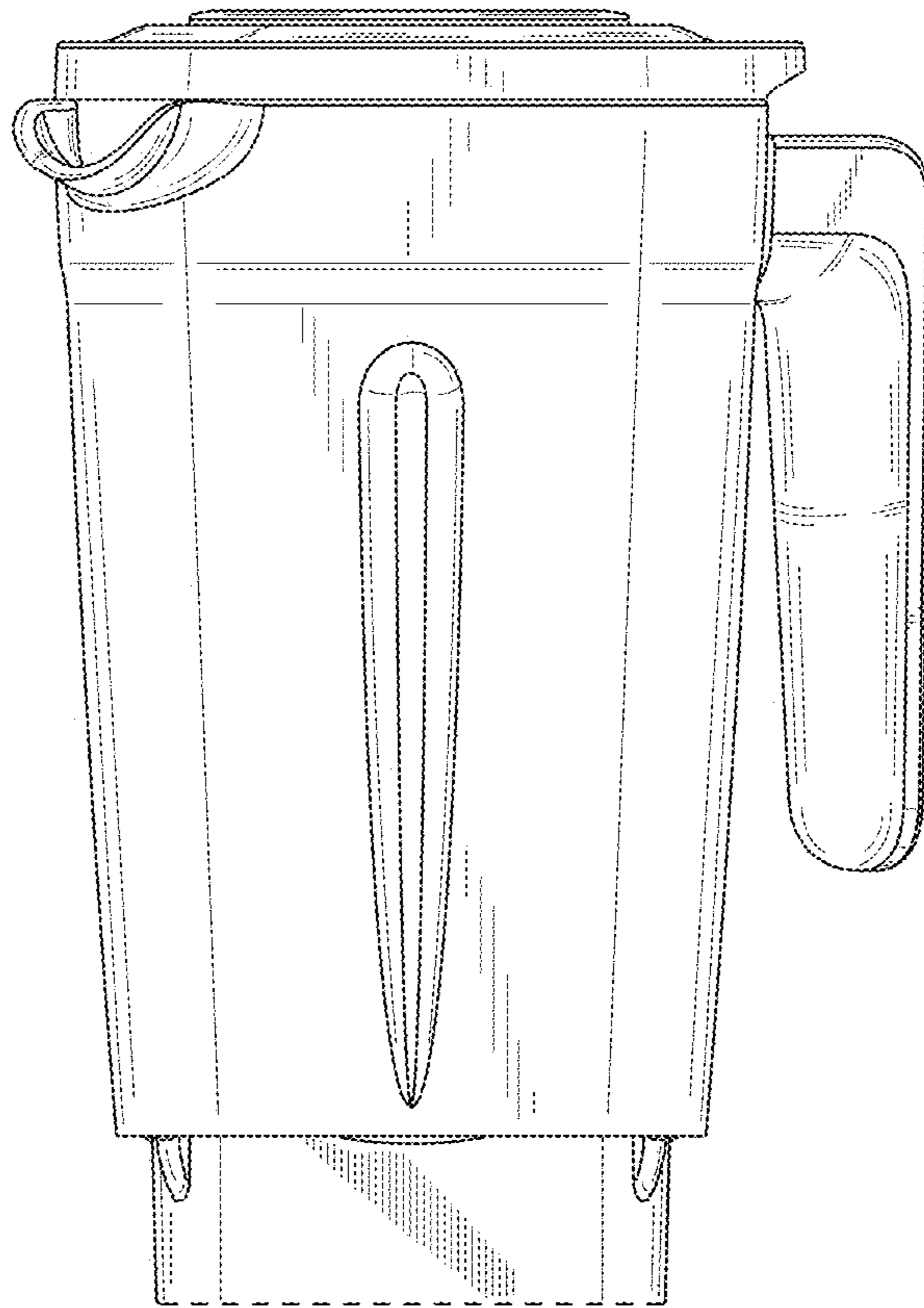


FIG. 5

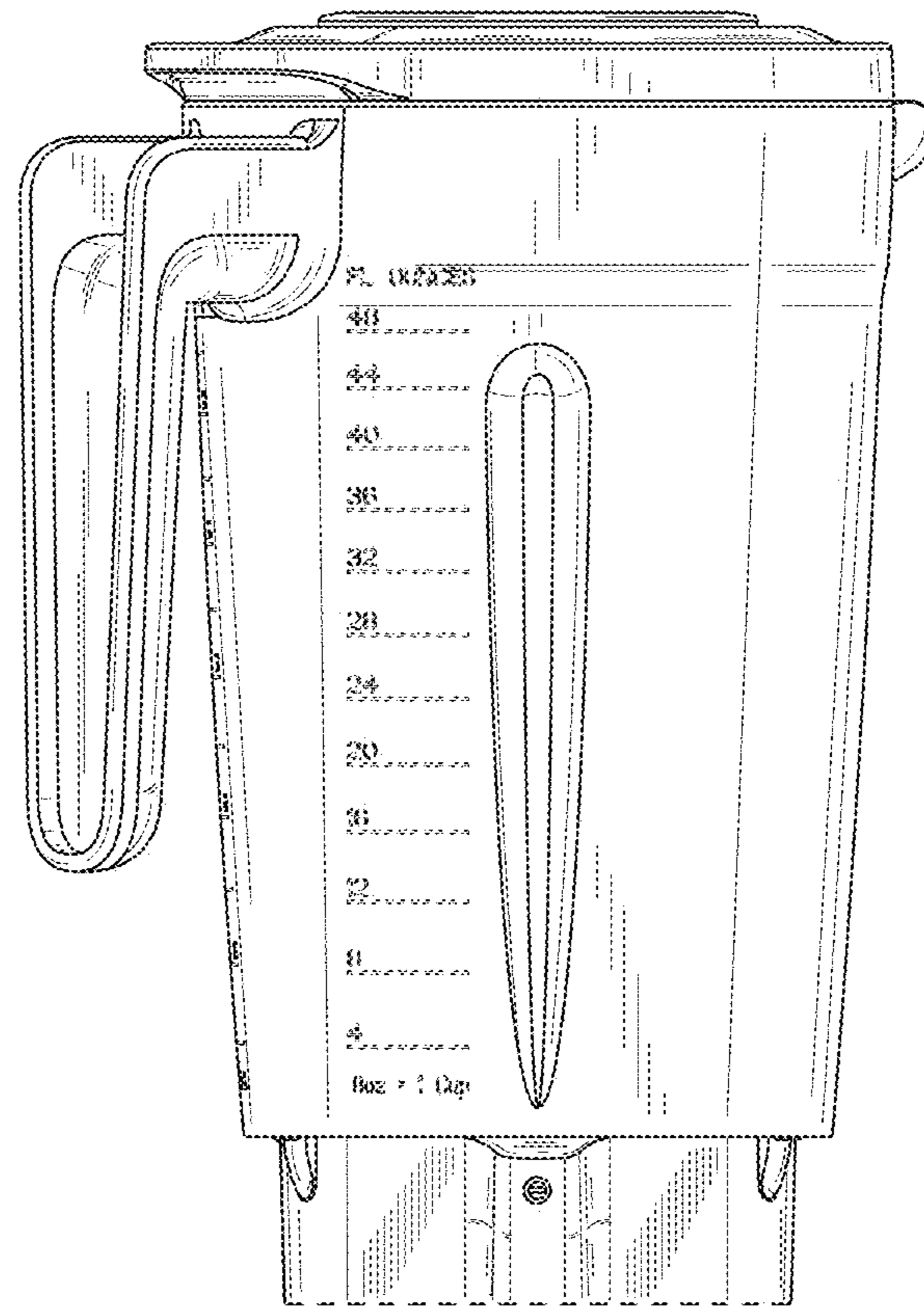


FIG. 6

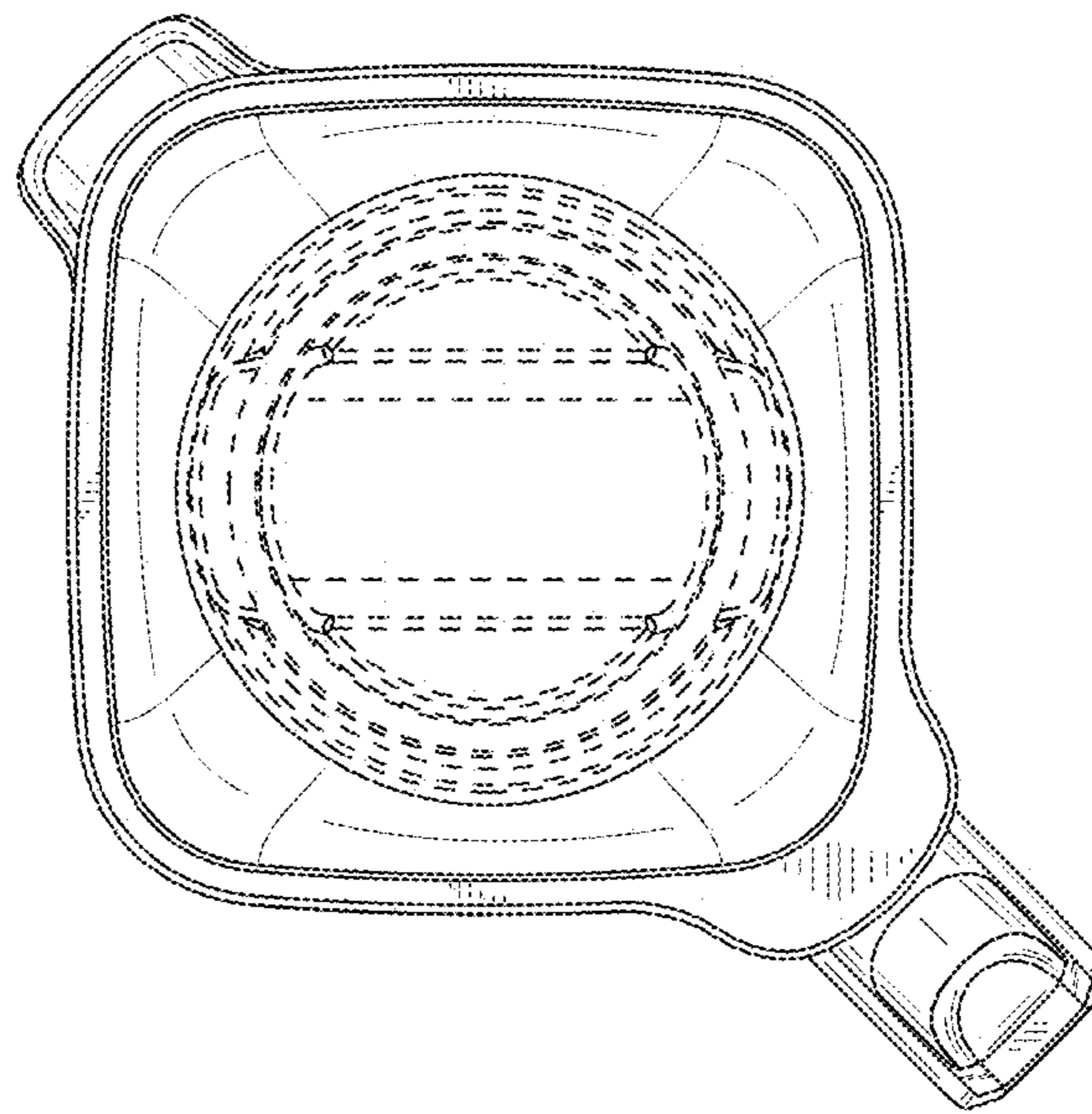


FIG. 7

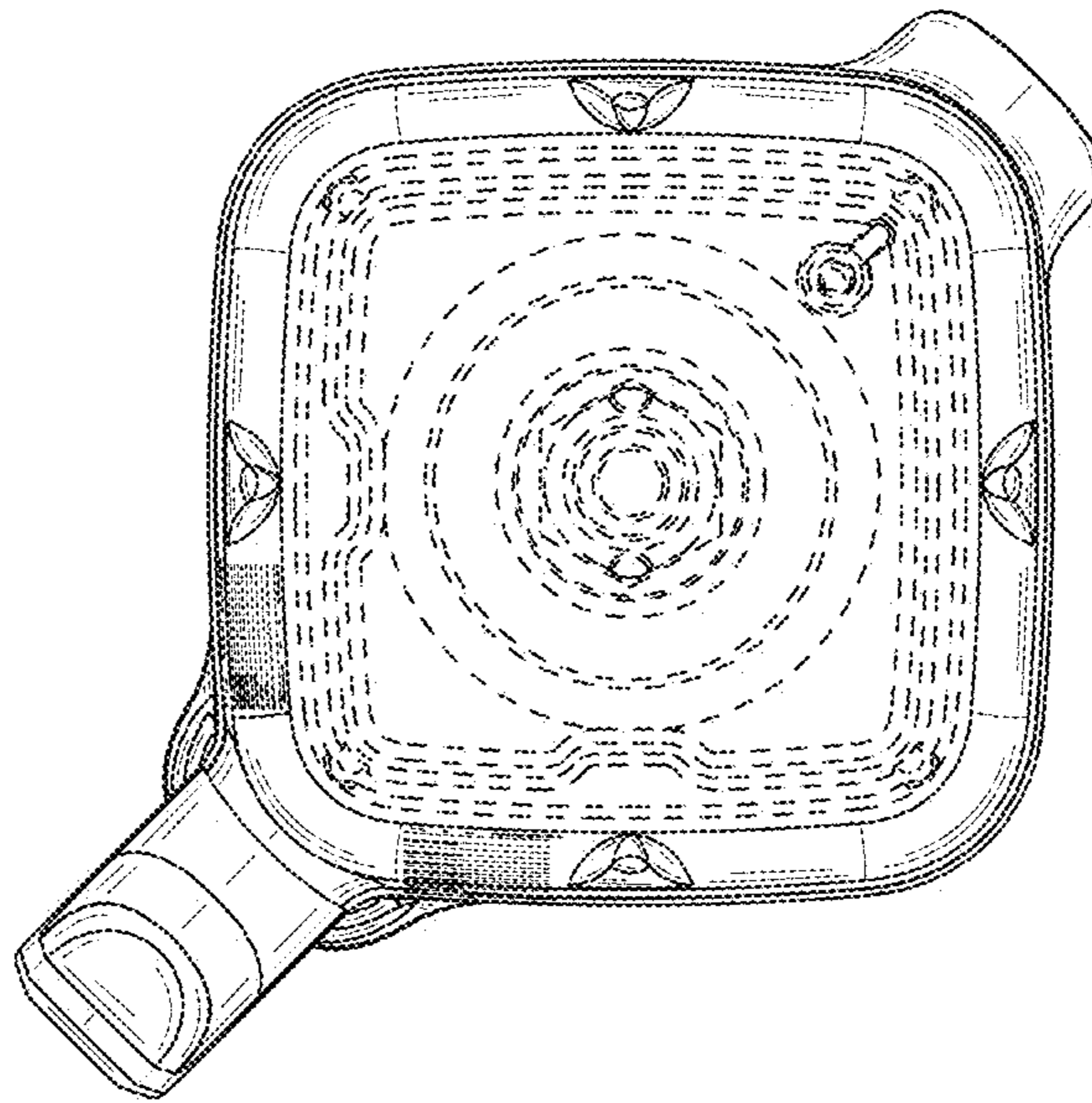


FIG. 8

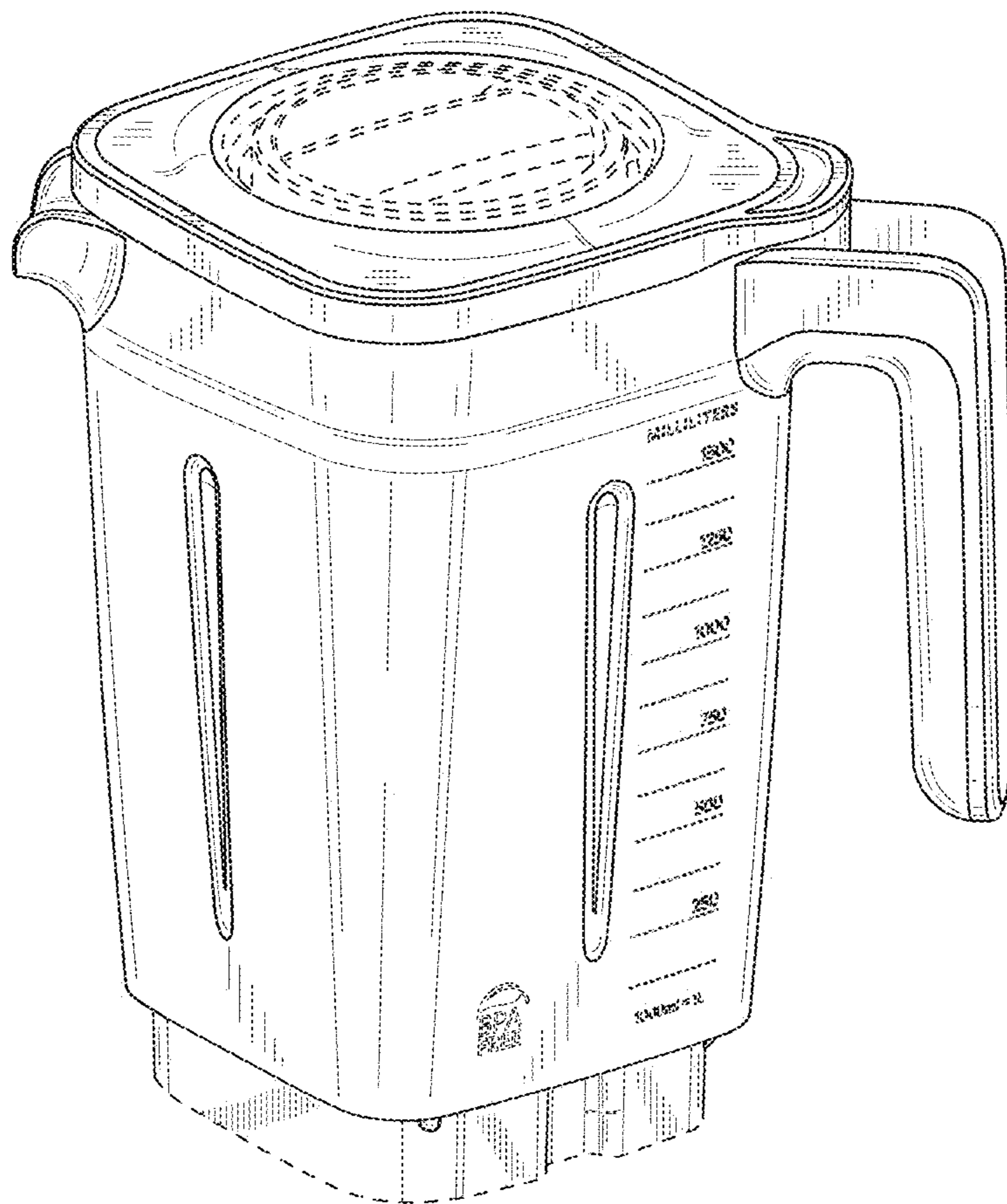


FIG. 9

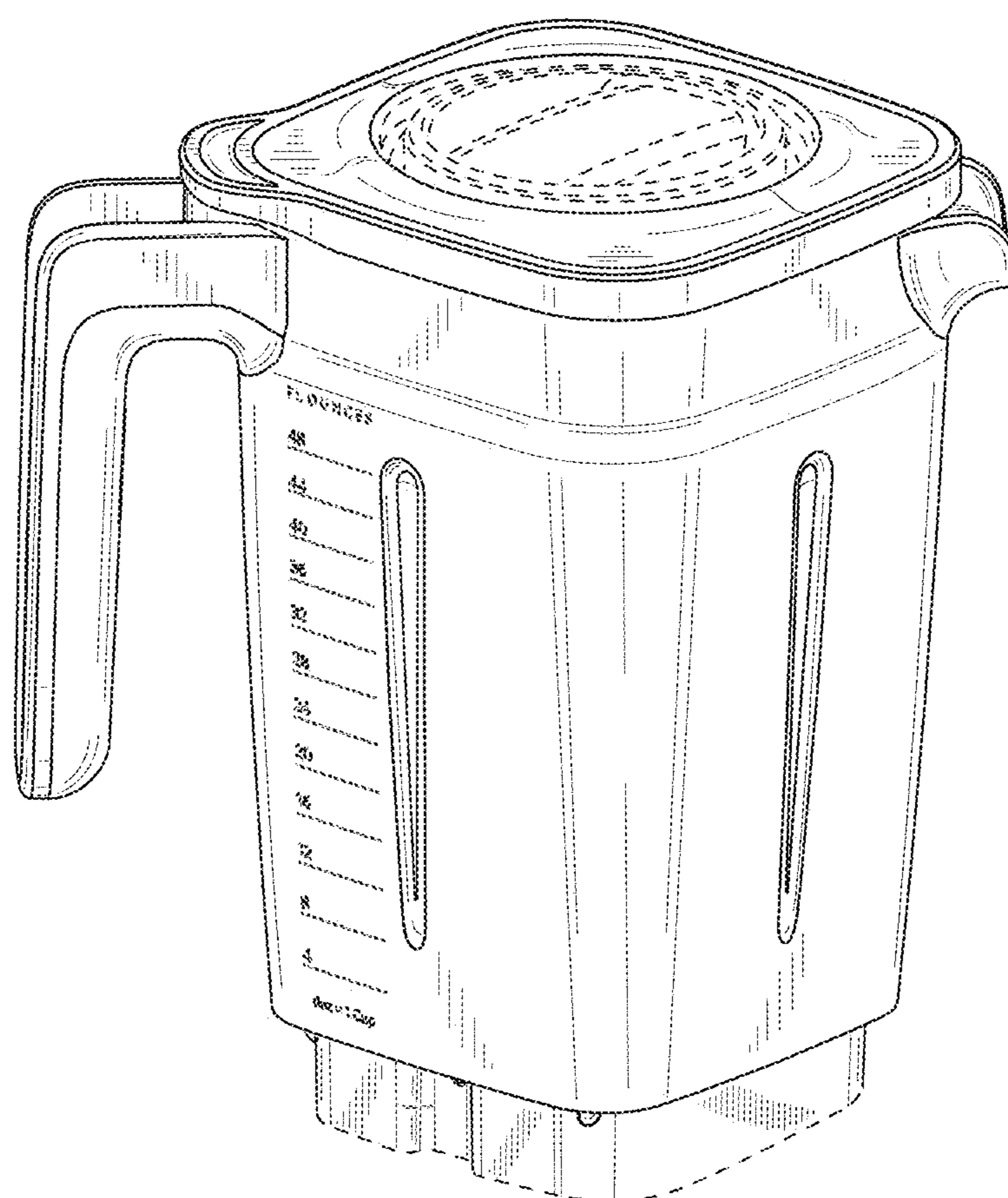


FIG. 10

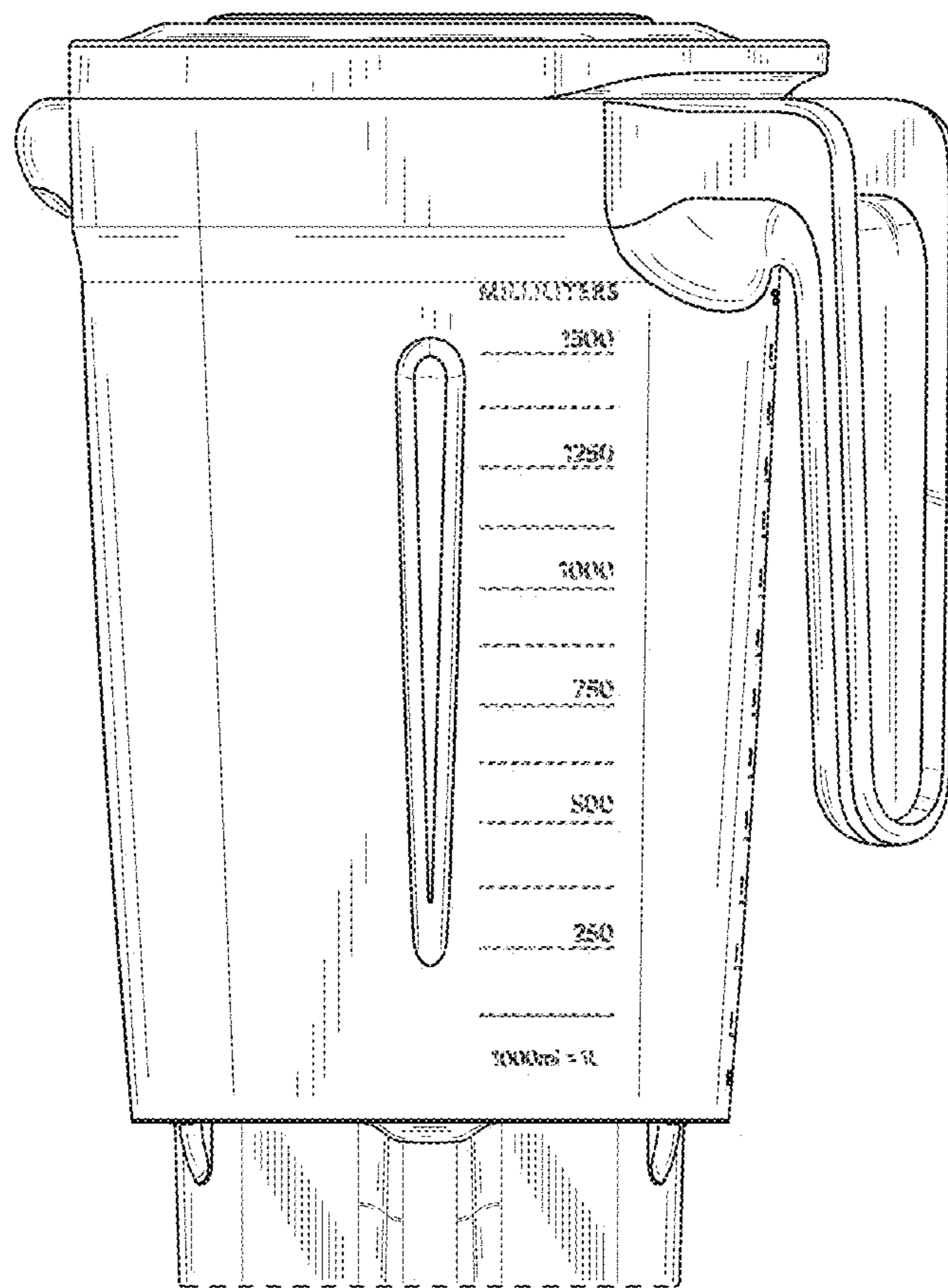


FIG. 11

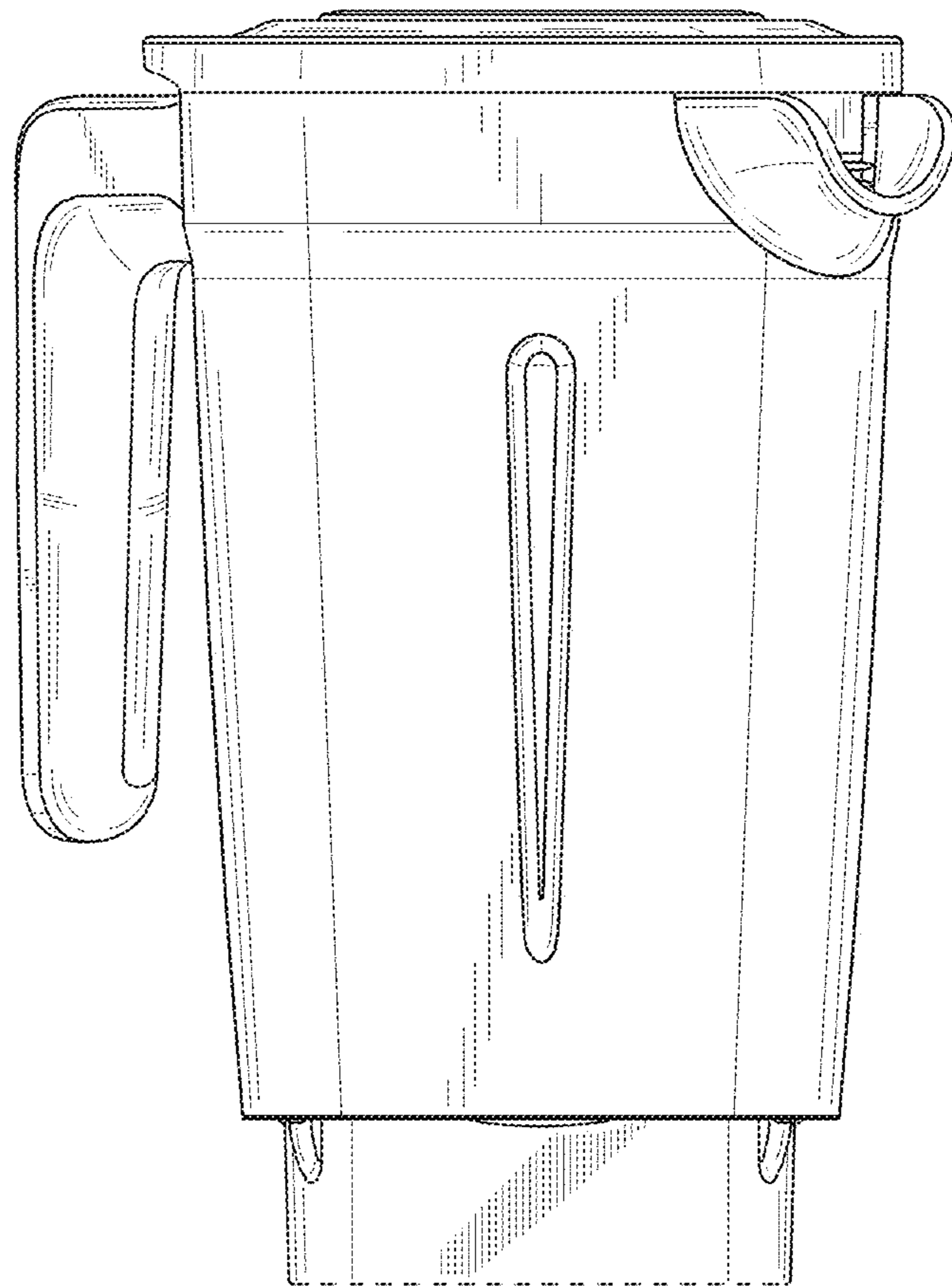


FIG. 12

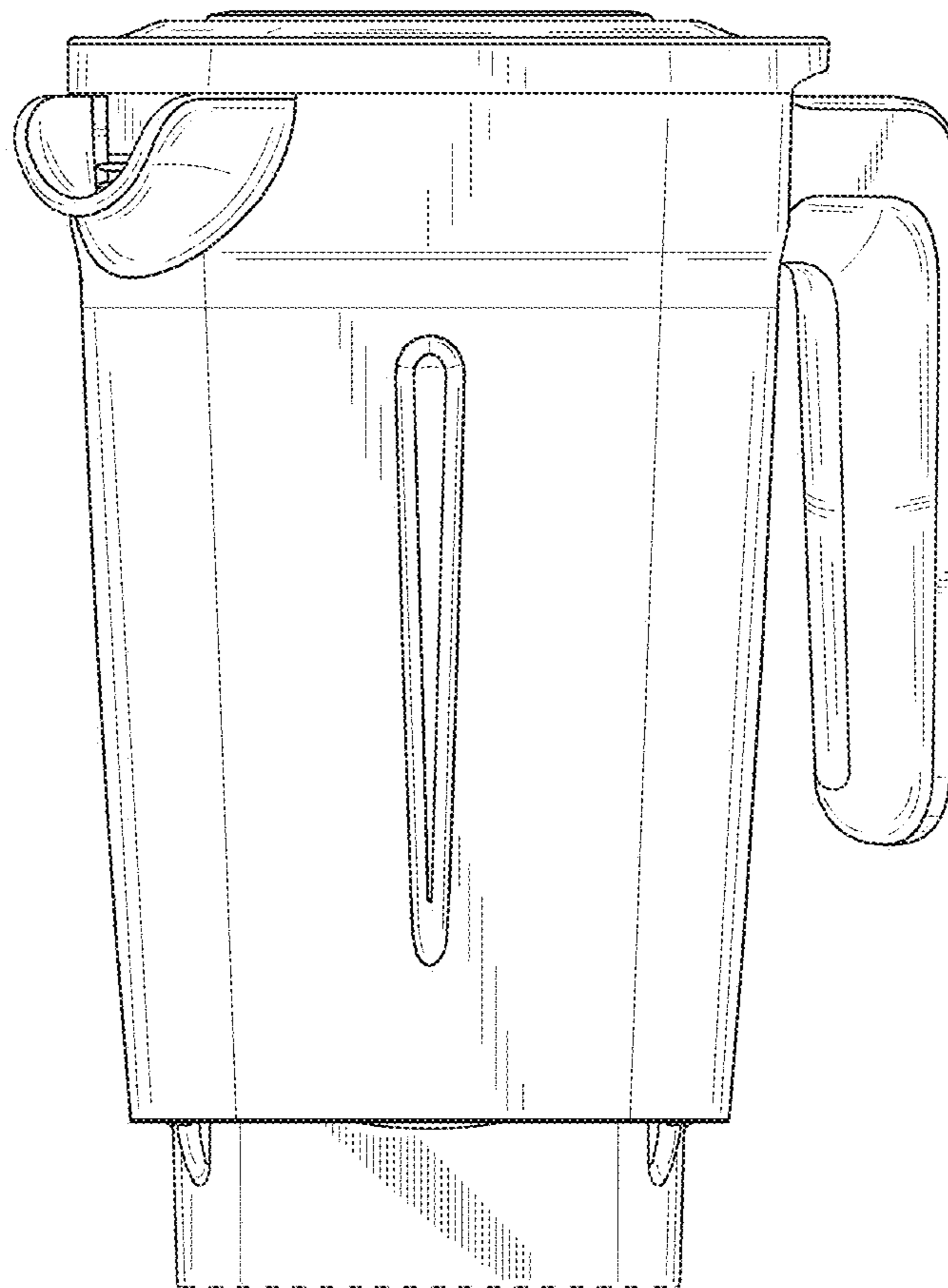


FIG. 13

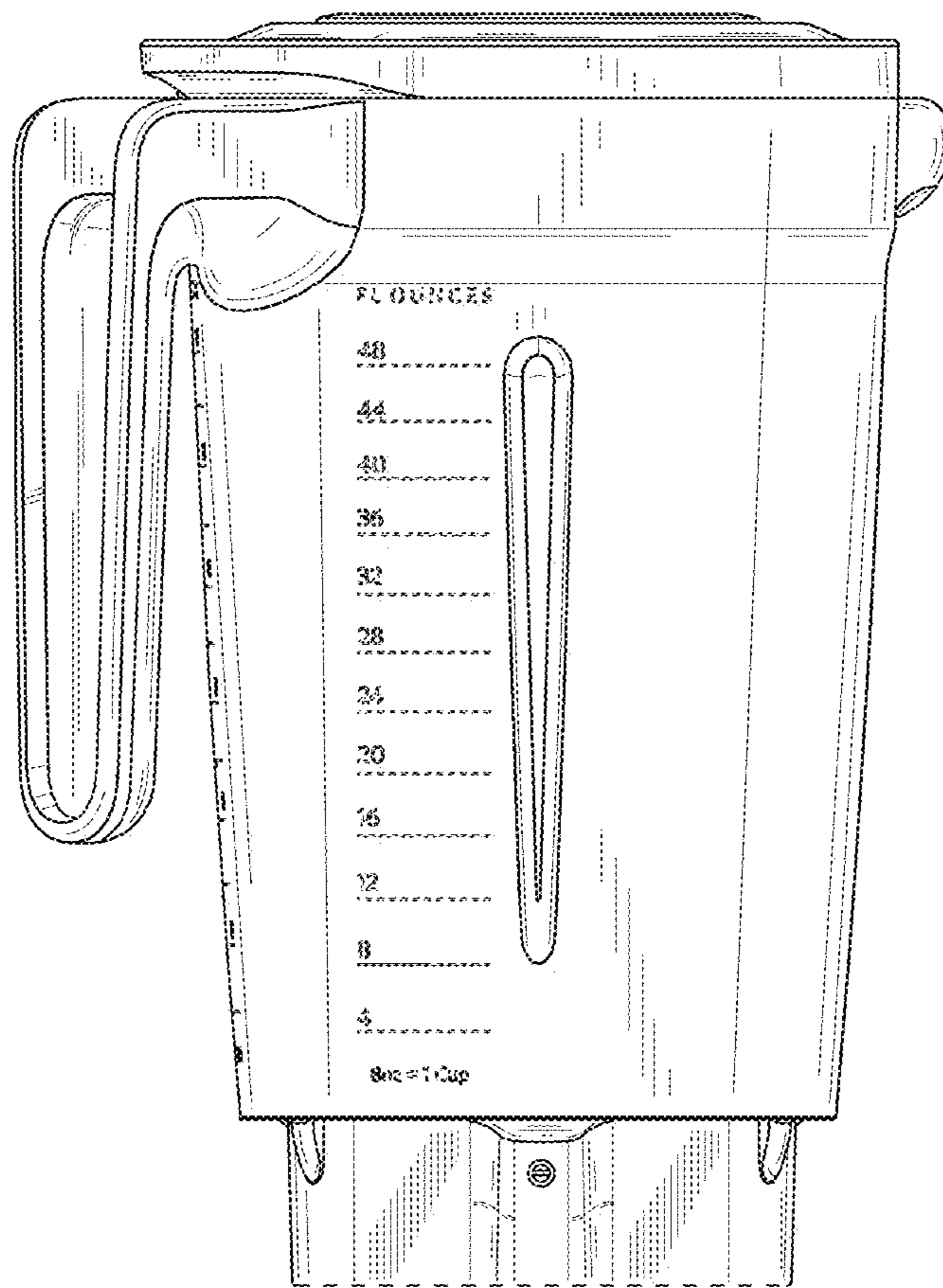


FIG. 14

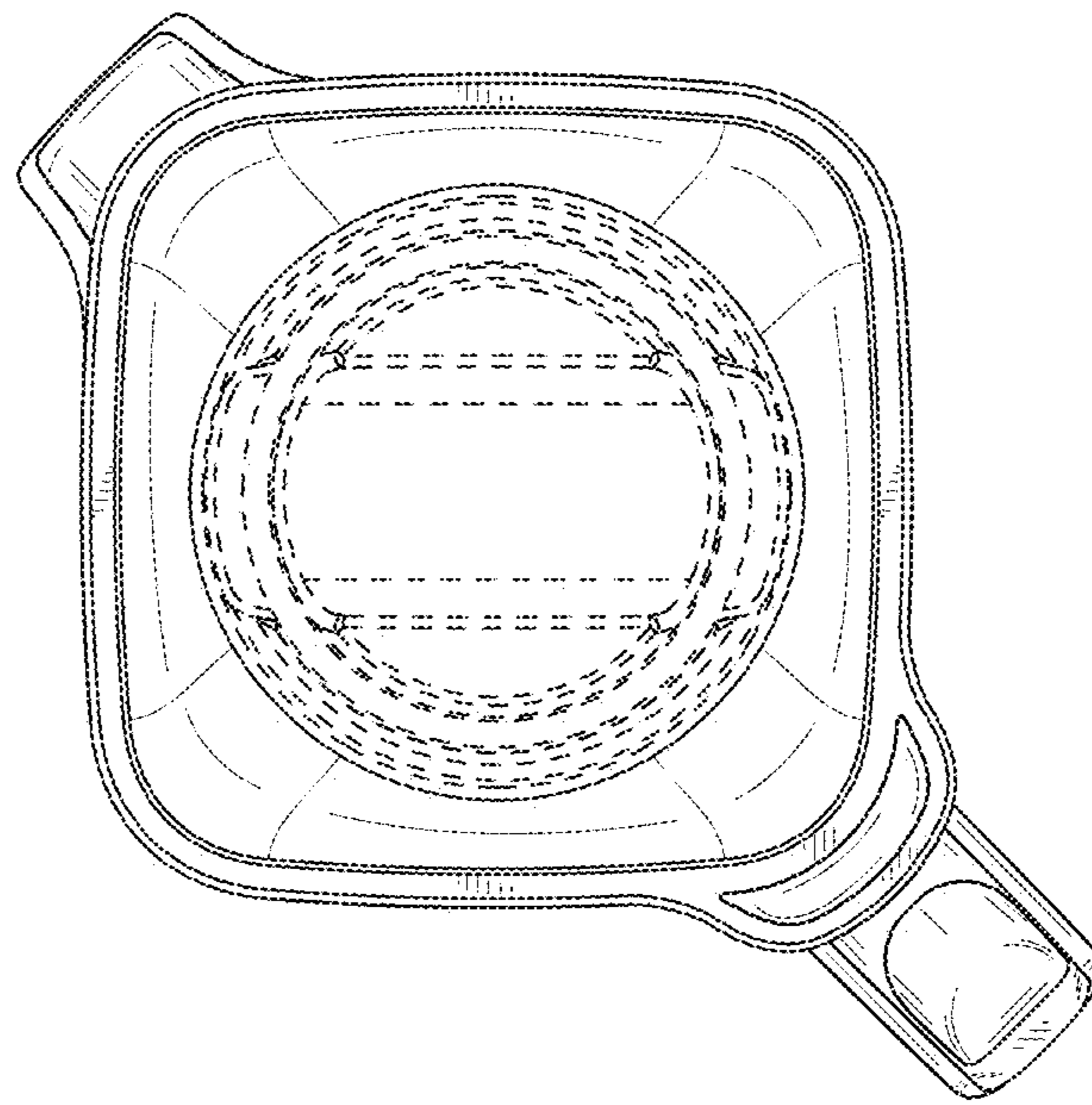


FIG. 15

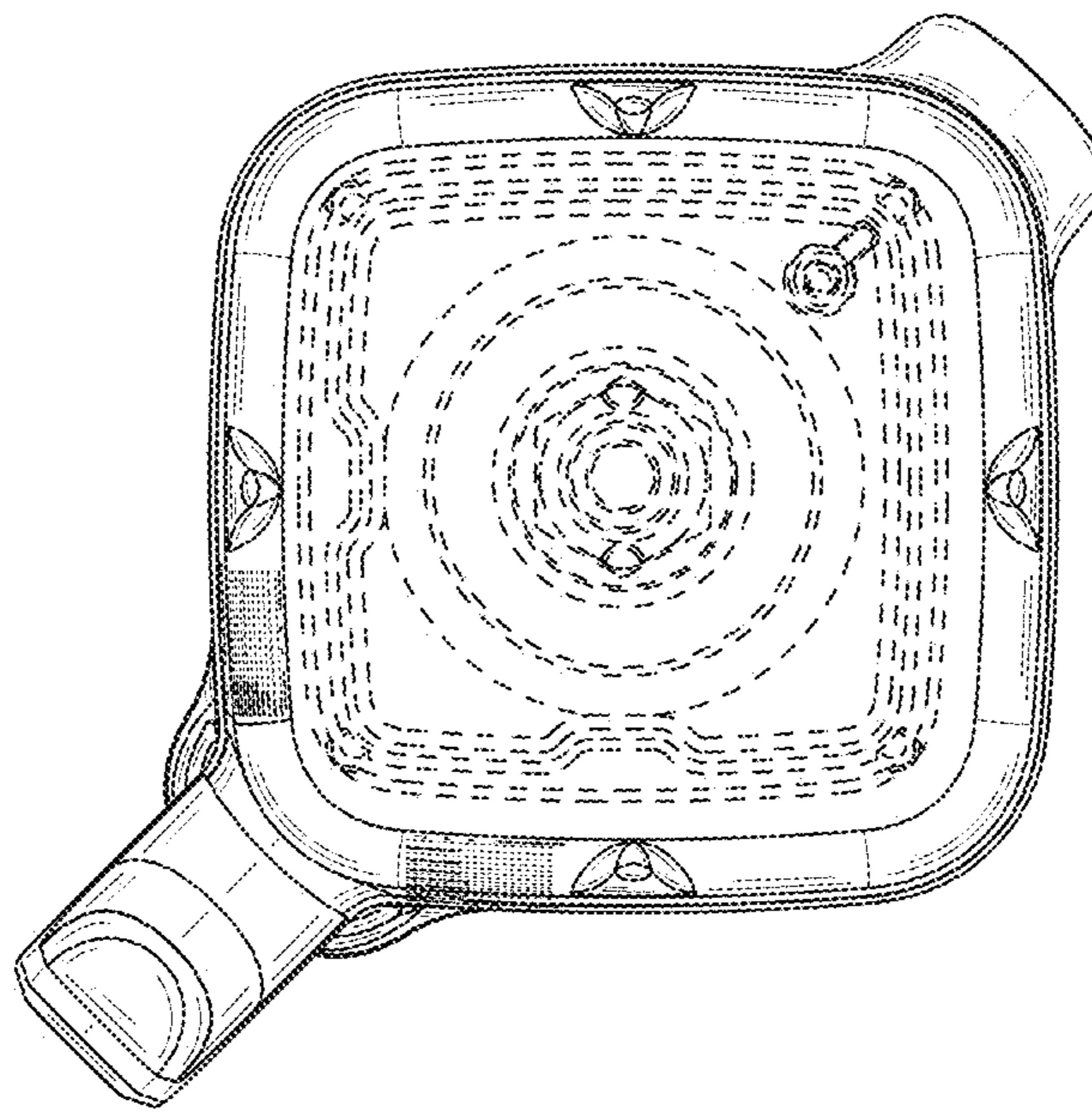


FIG. 16