



US00D880238S

(12) **United States Design Patent**
Lanza

(10) **Patent No.:** **US D880,238 S**

(45) **Date of Patent:** **** Apr. 7, 2020**

(54) **SLICER**

(71) Applicant: **F.A.C. S.R.L.**, Cavaria (IT)

(72) Inventor: **Giovanni Andrea Lanza**, Cavaria (IT)

(73) Assignee: **F.A.C. S.R.L.**, Cavaria (VA) (IT)

(**) Term: **15 Years**

(21) Appl. No.: **29/647,727**

(22) Filed: **May 15, 2018**

(30) **Foreign Application Priority Data**

May 3, 2018 (EM) 005256690-0001

May 3, 2018 (EM) 005256690-0002

(51) **LOC (12) Cl.** **31-00**

(52) **U.S. Cl.**

USPC **D7/412; D7/381**

(58) **Field of Classification Search**

USPC D7/376-386, 412, 693

CPC . B26D 1/14; B26D 1/143; B26D 1/15; B26D

1/153; B26D 1/157; B26D 1/18; B26D

1/28; B26D 5/00; B26D 5/06; B26D

5/08; B26D 5/10; B26D 5/12; B26D

5/22; B26D 5/26; B26D 5/38; B26D

5/42; B26D 7/00; B26D 7/01; B26D

7/08; B26D 7/12; B26D 7/18; B26D

7/1818; B26D 7/22; B26D 7/225; B26D

7/24; B26D 7/26; B26D 7/2614; B26D

7/2621; B26D 7/2628; B26D 7/2635;

B26D 7/30; B26D 7/32; B26D 7/325;

B27G 13/00; B27G 13/005; B27G 13/10

See application file for complete search history.

(56) **References Cited**

U.S. PATENT DOCUMENTS

D254,590 S * 4/1980 Doyel 83/733

D779,294 S * 2/2017 Friedman D7/693

D796,917 S * 9/2017 Wong D7/381

D809,881 S * 2/2018 Exley D7/693

D842,024 S * 3/2019 Li D7/381

* cited by examiner

Primary Examiner — Ricky Pham

(74) *Attorney, Agent, or Firm* — Dorsey & Whitney LLP

(57) **CLAIM**

The ornamental design for a slicer, as shown and described.

DESCRIPTION

FIG. 1 is a top plan view of a slicer showing my design;

FIG. 2 is a bottom plan view thereof;

FIG. 3 is a front elevational view thereof;

FIG. 4 is a rear elevational view thereof;

FIG. 5 is a left-side elevational view thereof;

FIG. 6 is a right-side elevational view thereof;

FIG. 7 is a front, left side, top perspective view thereof;

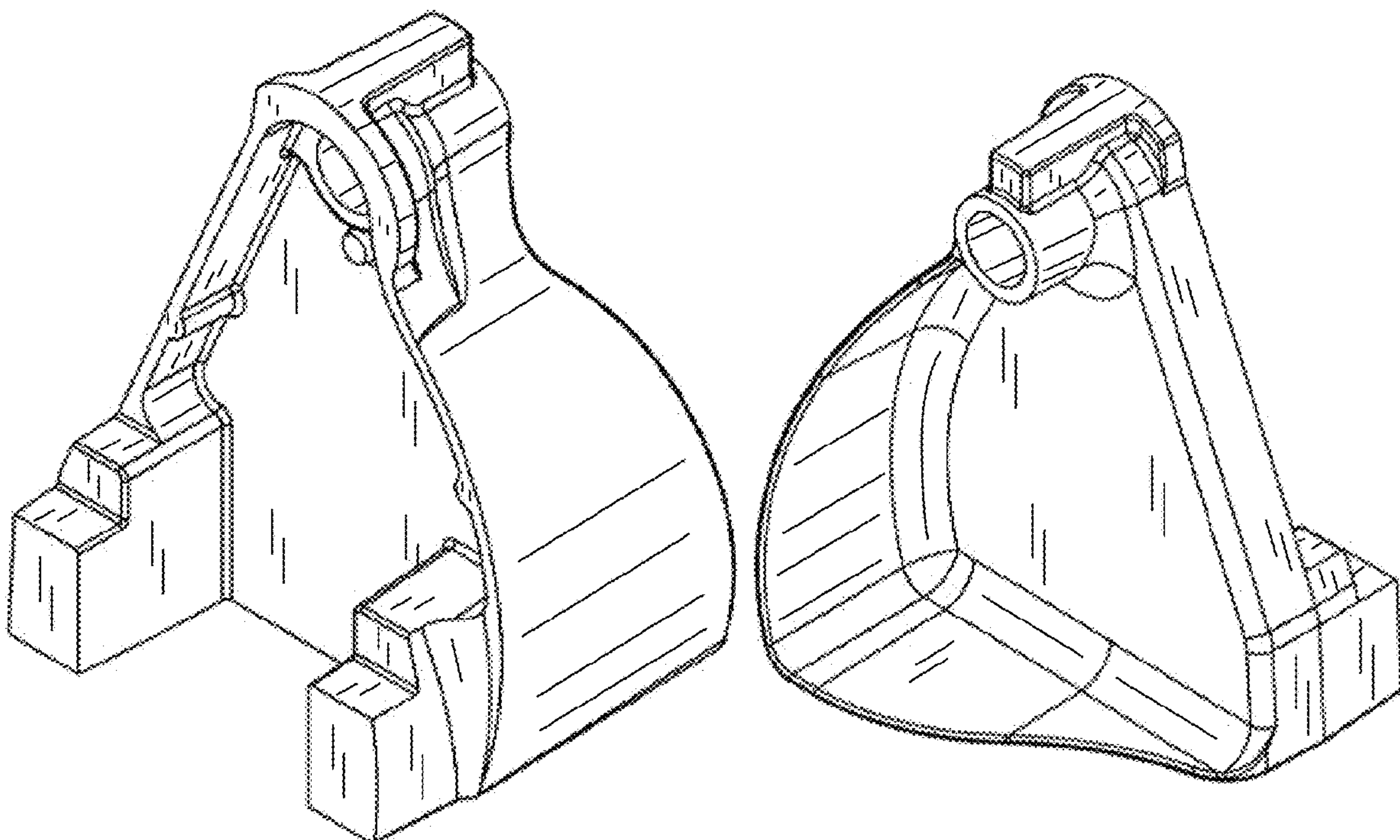
FIG. 8 is a front, right side, top perspective view thereof;

FIG. 9 is a front, left side, bottom perspective view thereof;

and,

FIG. 10 is a front, right side, bottom perspective view thereof.

1 Claim, 10 Drawing Sheets



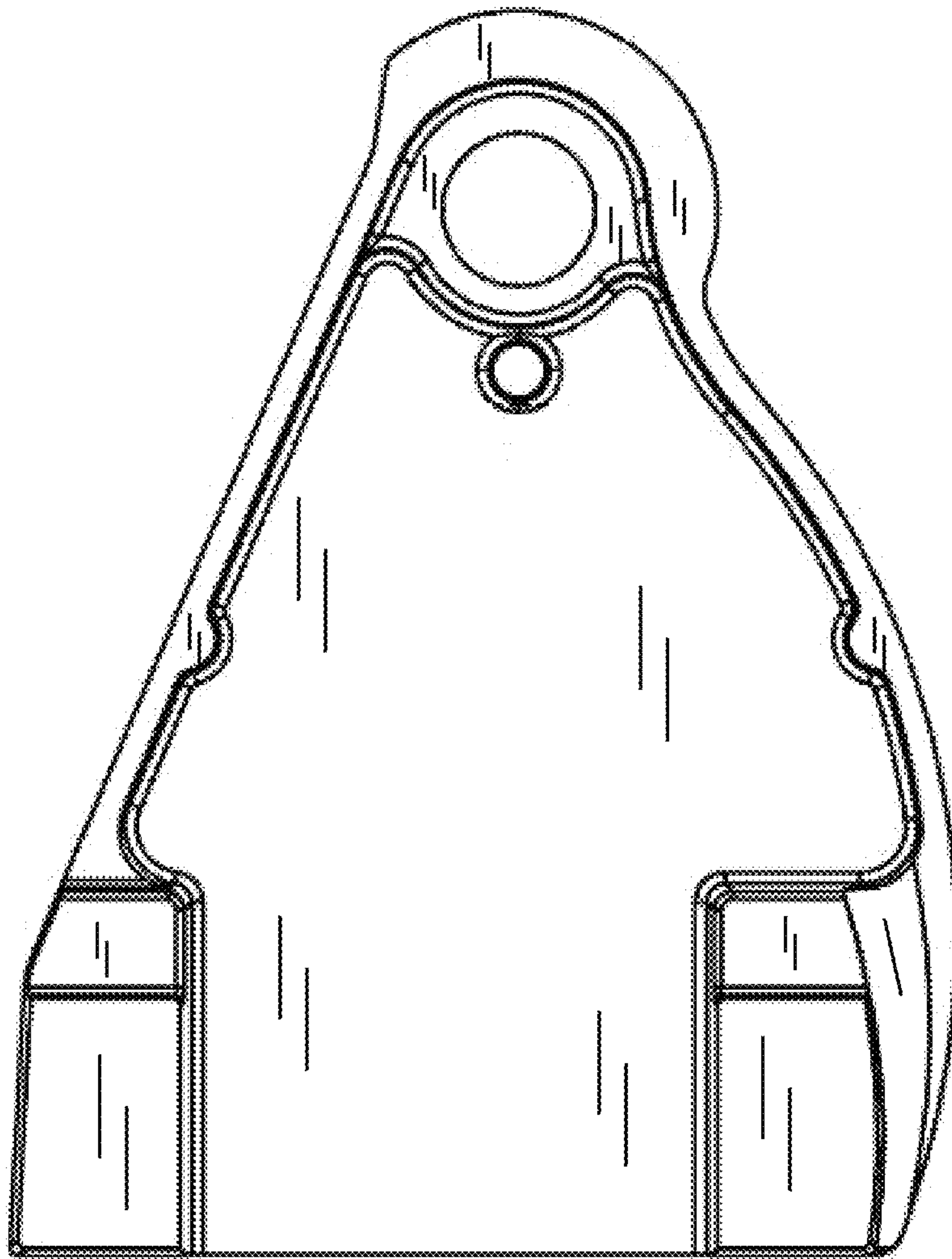


FIG. 1

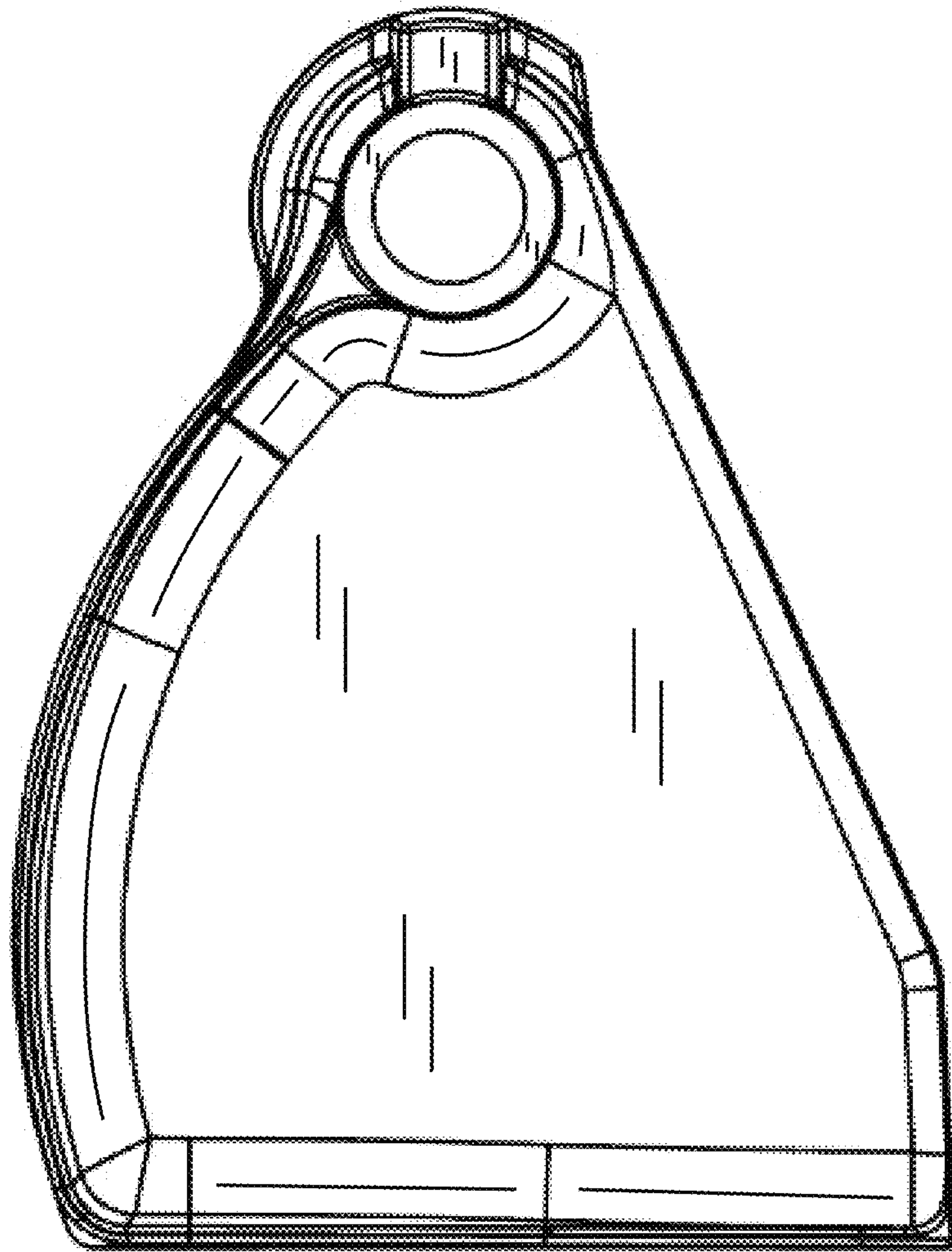


FIG. 2

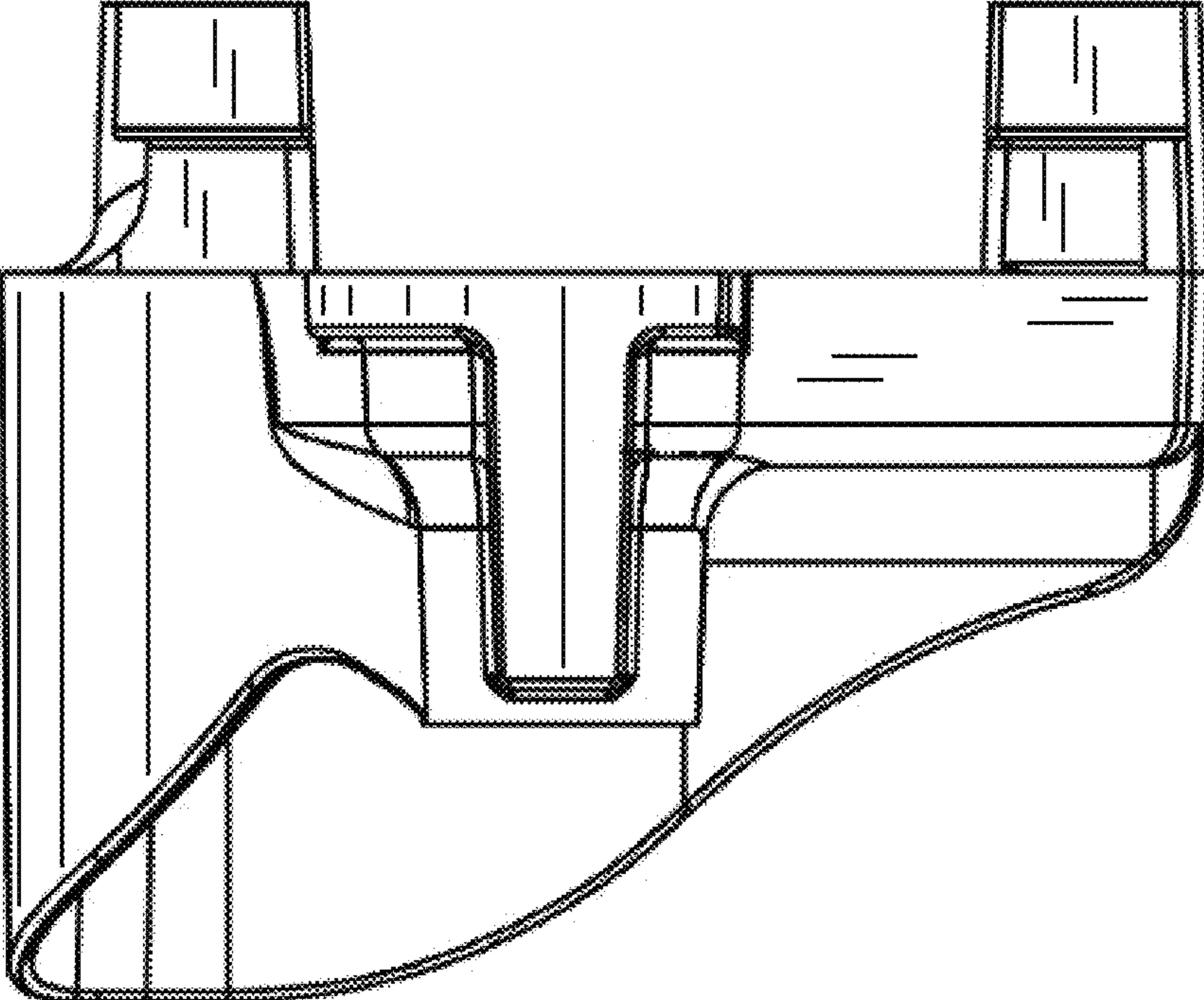


FIG. 3

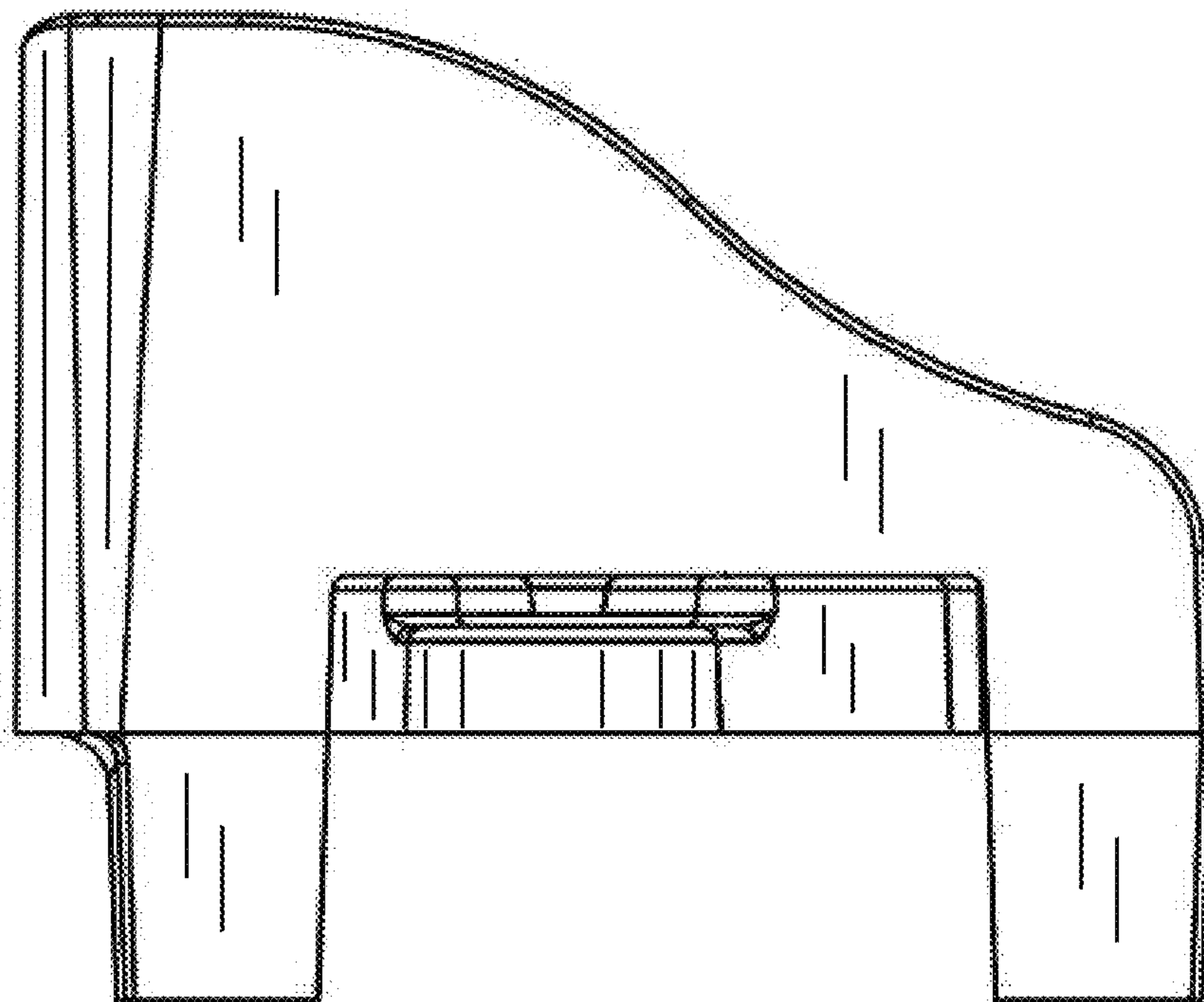


FIG. 4

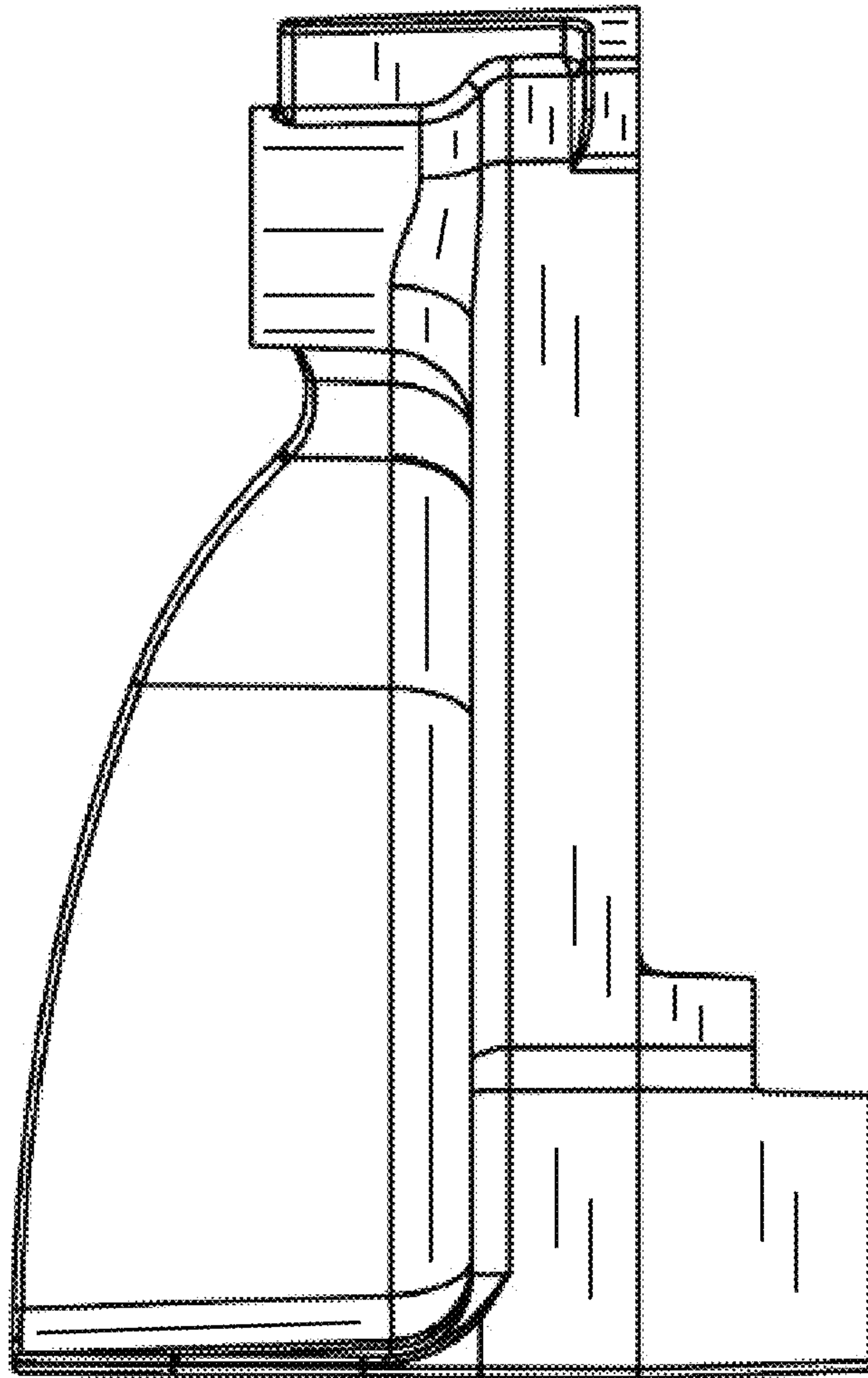


FIG. 5

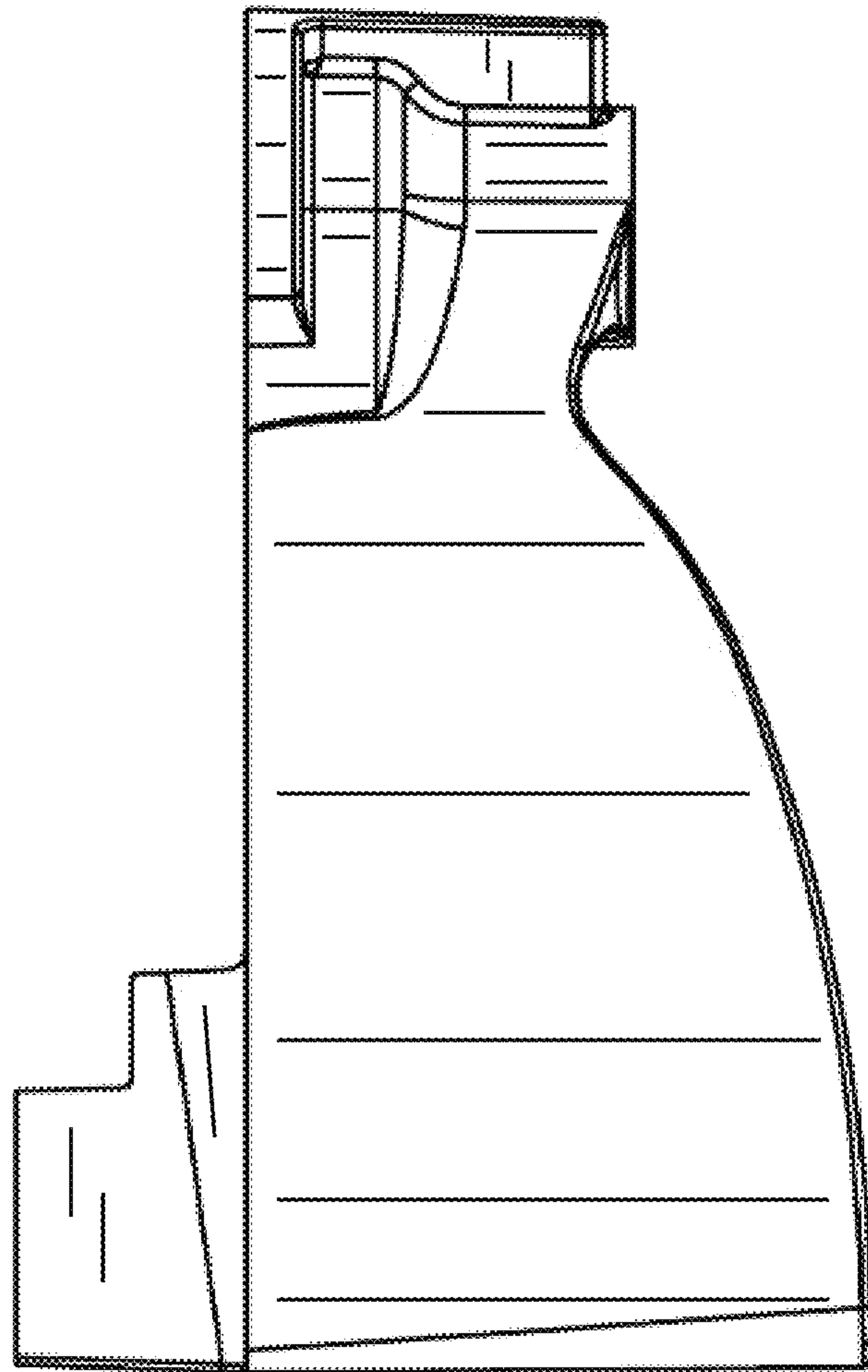


FIG. 6

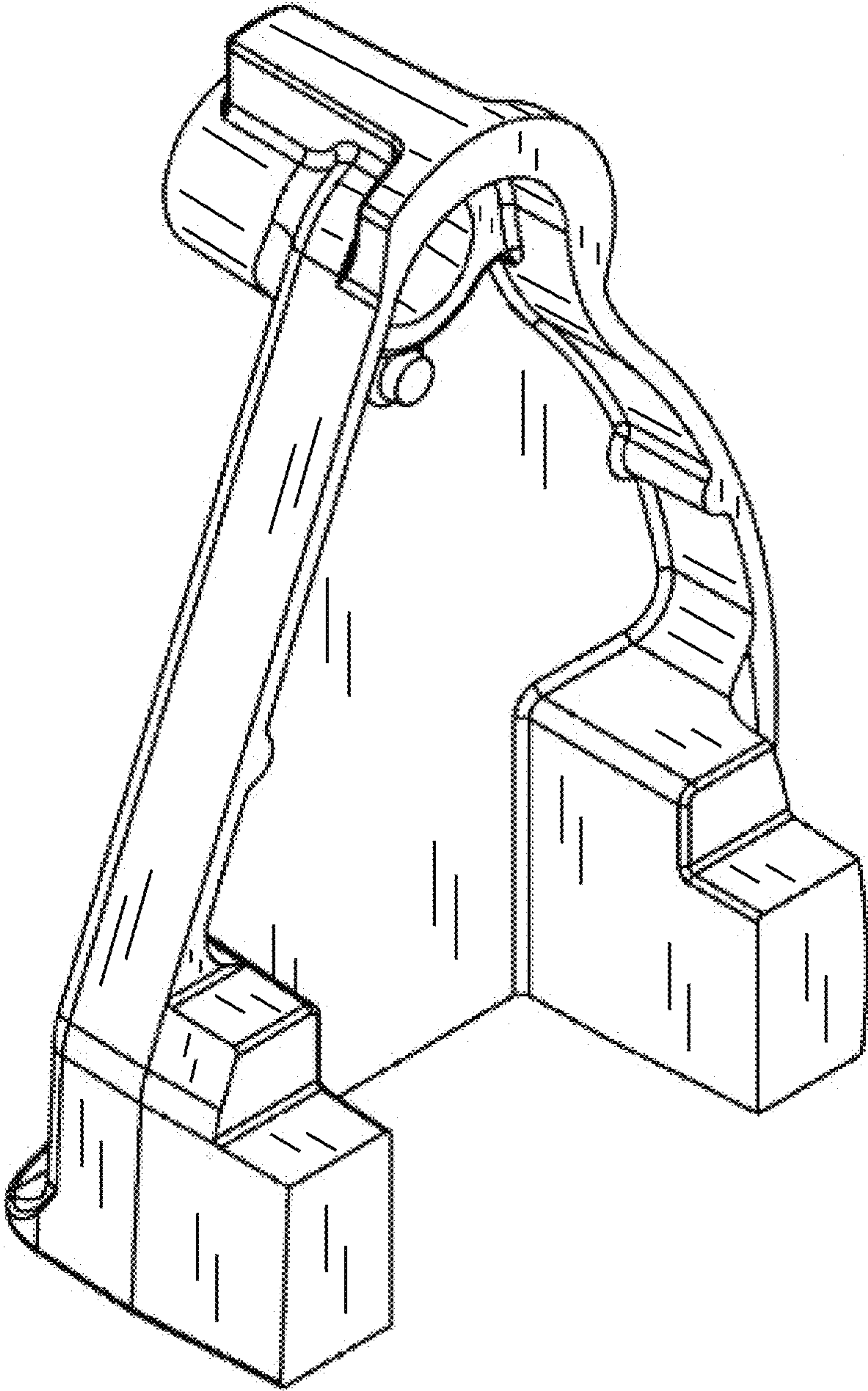


FIG. 7

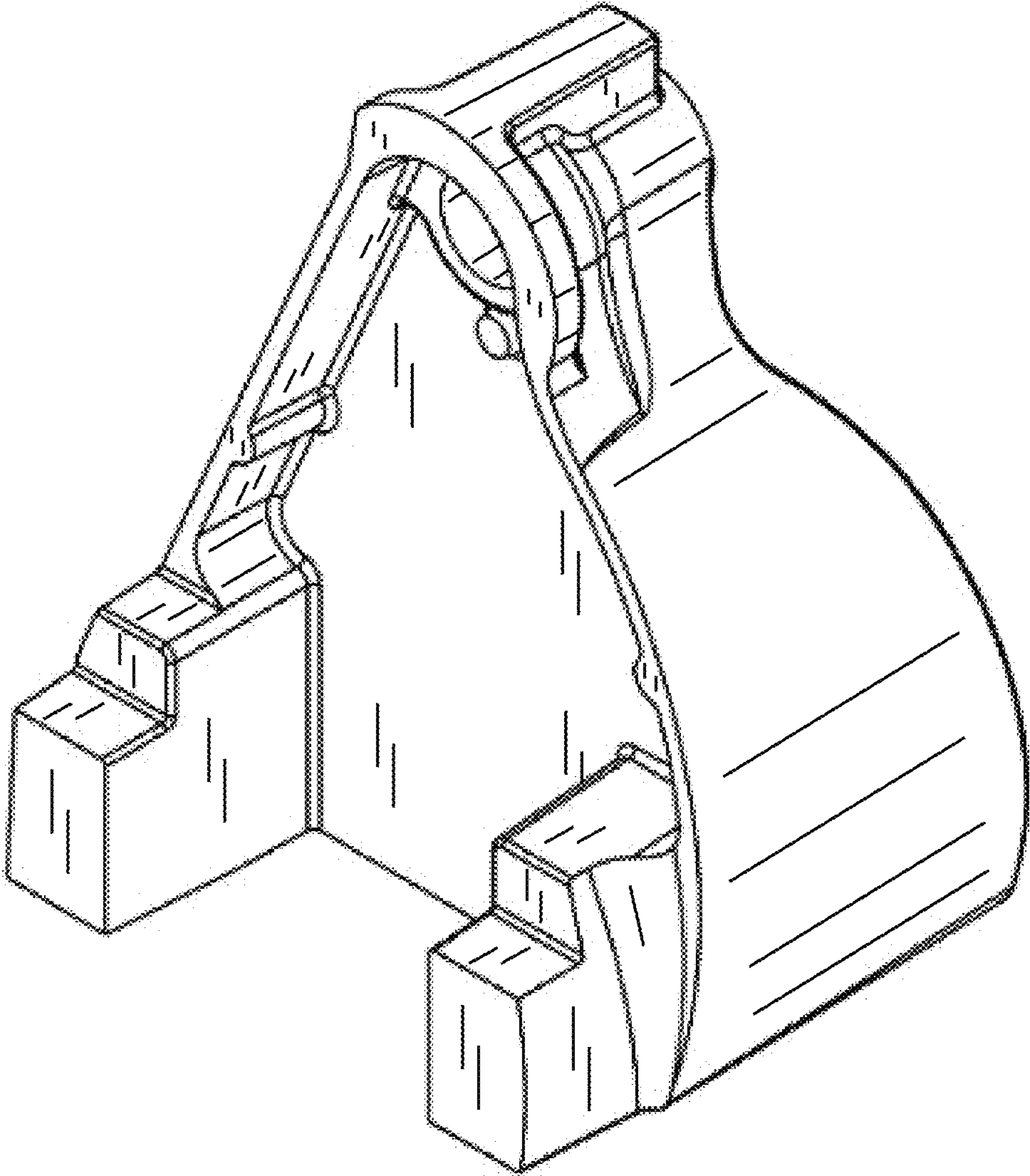


FIG. 8

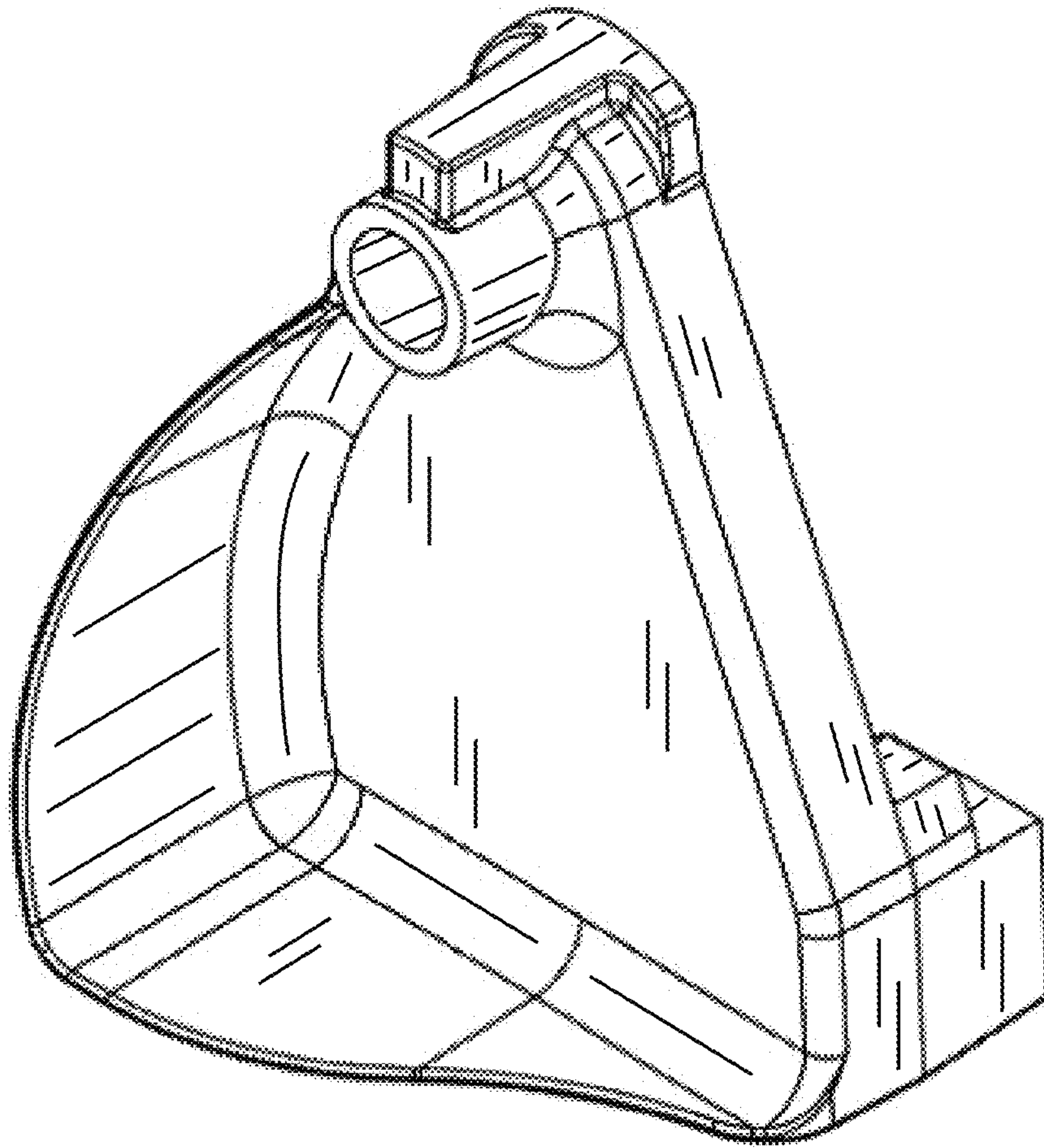


FIG. 9

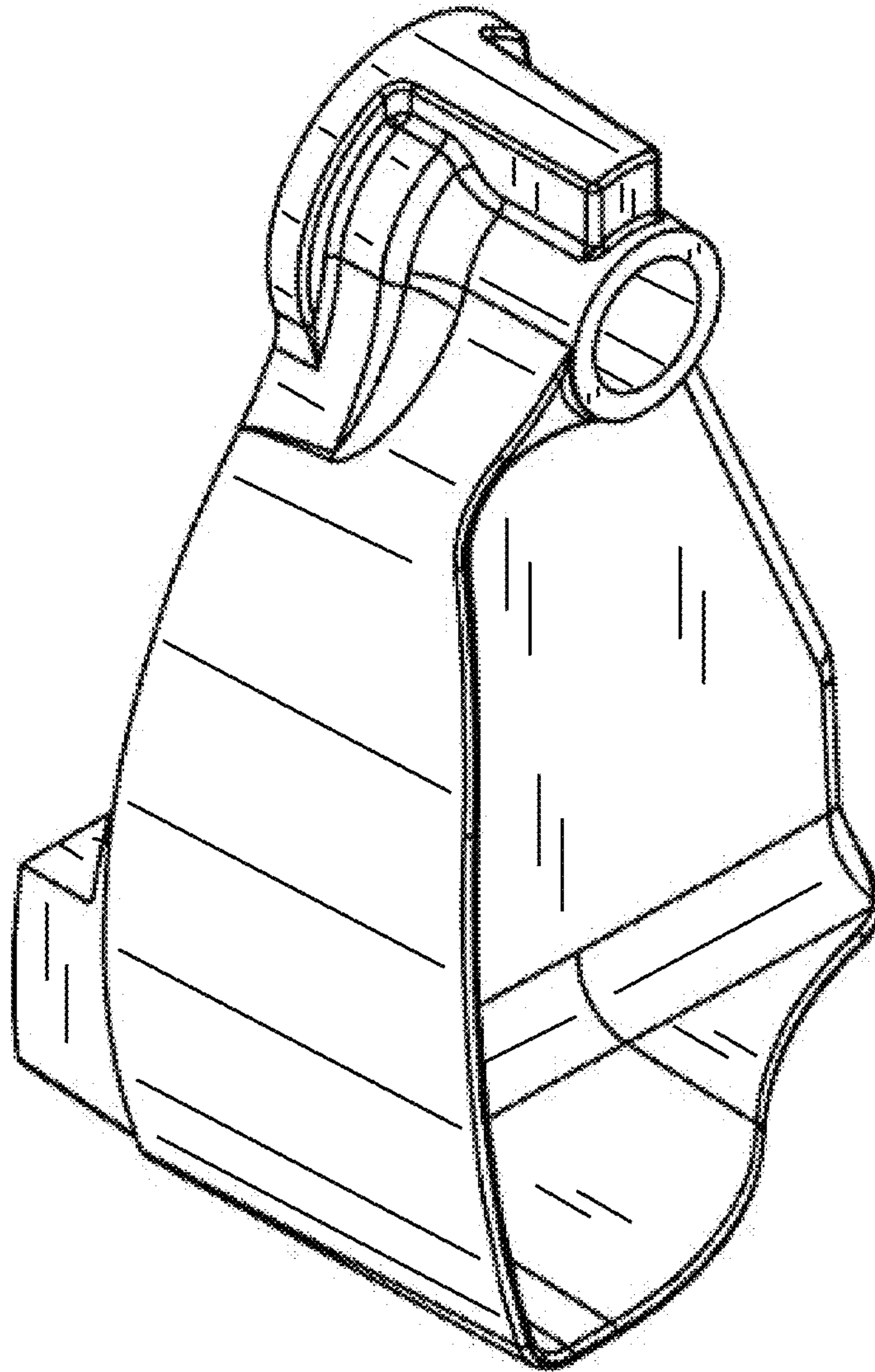


FIG. 10