



US00D880236S

(12) **United States Design Patent**
Carlson

(10) **Patent No.:** **US D880,236 S**

(45) **Date of Patent:** **** Apr. 7, 2020**

(54) **FOOD PROCESSOR TOOLS STORAGE
ACCESSORY**

(71) Applicant: **Hamilton Beach Brands, Inc.**, Glen
Allen, VA (US)

(72) Inventor: **Drew Carlson**, Henrico, VA (US)

(73) Assignee: **Hamilton Beach Brands, Inc**, Glen
Allen, VA (US)

(**) Term: **15 Years**

(21) Appl. No.: **29/646,728**

(22) Filed: **May 7, 2018**

(51) **LOC (12) Cl.** **31-00**

(52) **U.S. Cl.**
USPC **D7/412; D7/381; D7/384**

(58) **Field of Classification Search**
USPC D7/372, 376-386, 412-413, 602, 629,
D7/665-666, 669, 679, 693-694
CPC A21C 1/02; A21C 1/04; A23N 1/00; A23N
1/02; A47J 43/04; A47J 43/25; A47J
43/27; A47J 43/042; A47J 43/044; A47J
43/046; A47J 43/07; A47J 43/075; A47J
43/0705; A47J 43/0722; A47J 43/0727;
A47J 44/02; B01F 3/00; B01F 3/0807;
B01F 3/0853; B01F 13/0059; B01F
13/0064; B02C 1/08; B02C 2/04; B02C
4/42; B02C 4/142; B02C 4/143; B02C
4/423; B02C 13/1835; B26D 1/09; B28C
5/10; B28C 5/12; B28C 5/14; B28C 5/16

See application file for complete search history.

(56) **References Cited**

U.S. PATENT DOCUMENTS

5,383,613 A * 1/1995 Sundquist A47J 43/0705
241/166
2007/0108087 A1* 5/2007 Leung A47J 43/07
206/553
2010/0224041 A1* 9/2010 Melton B26D 1/09
83/13
2016/0174771 A1* 6/2016 Benoit A47J 44/02
99/331

* cited by examiner

Primary Examiner — Ricky Pham

(74) *Attorney, Agent, or Firm* — Alexander D. Raring

(57) **CLAIM**

The ornamental design for a food processor tools storage
accessory, as shown and described.

DESCRIPTION

FIG. 1 is a top, front and right side perspective view of a
storage accessory for food processor tools, showing my new
design;

FIG. 2 is a bottom, rear, and left side perspective view
thereof;

FIG. 3 is a front view thereof;

FIG. 4 is a rear view thereof;

FIG. 5 is a left side view thereof;

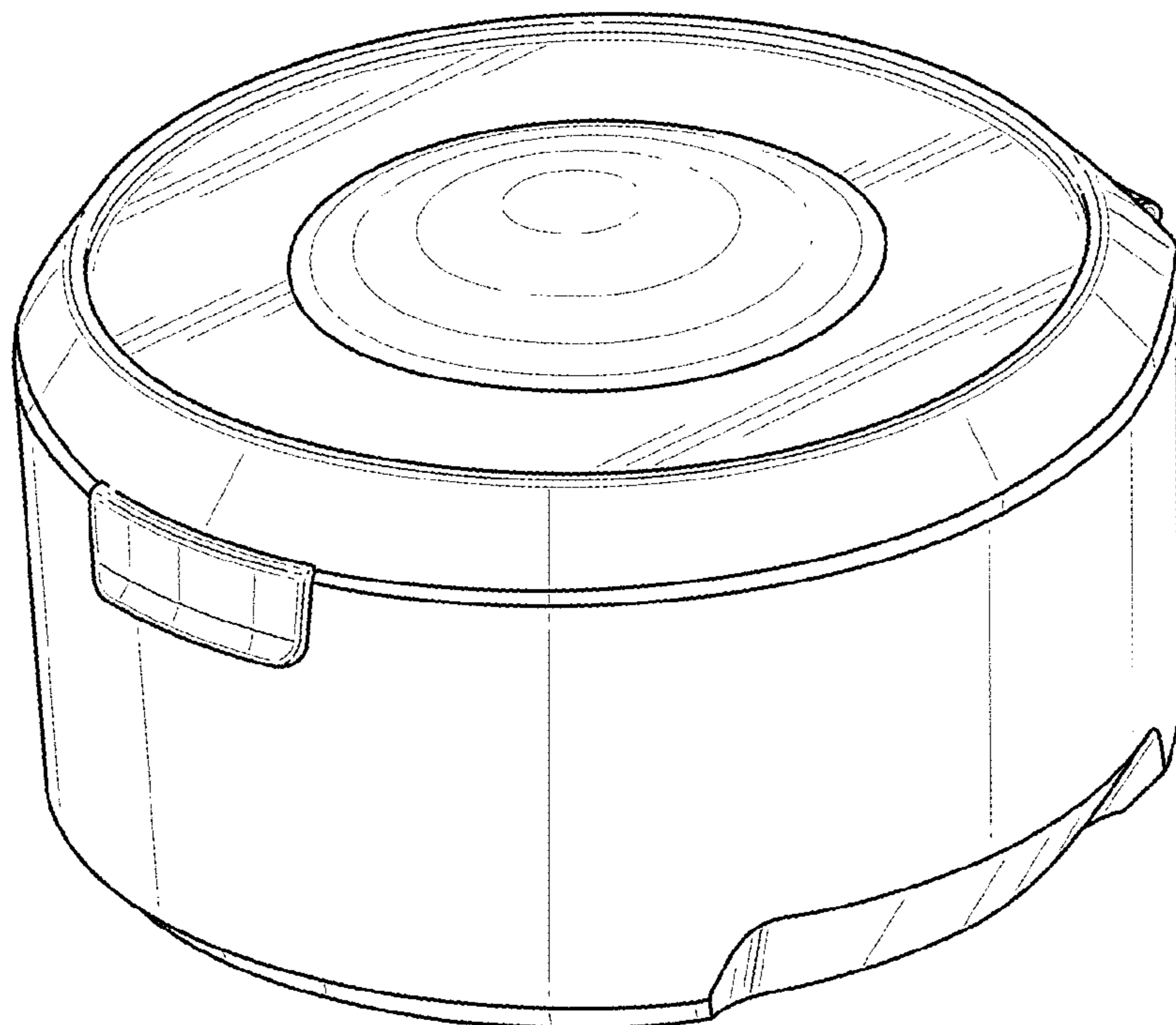
FIG. 6 is a right side view thereof;

FIG. 7 is a top plan view thereof; and,

FIG. 8 is a bottom plan view thereof.

Broken lines illustrate environmental structure. The broken
lines in the drawings are included for illustrative purposes
only and form no part of the claimed design.

1 Claim, 8 Drawing Sheets



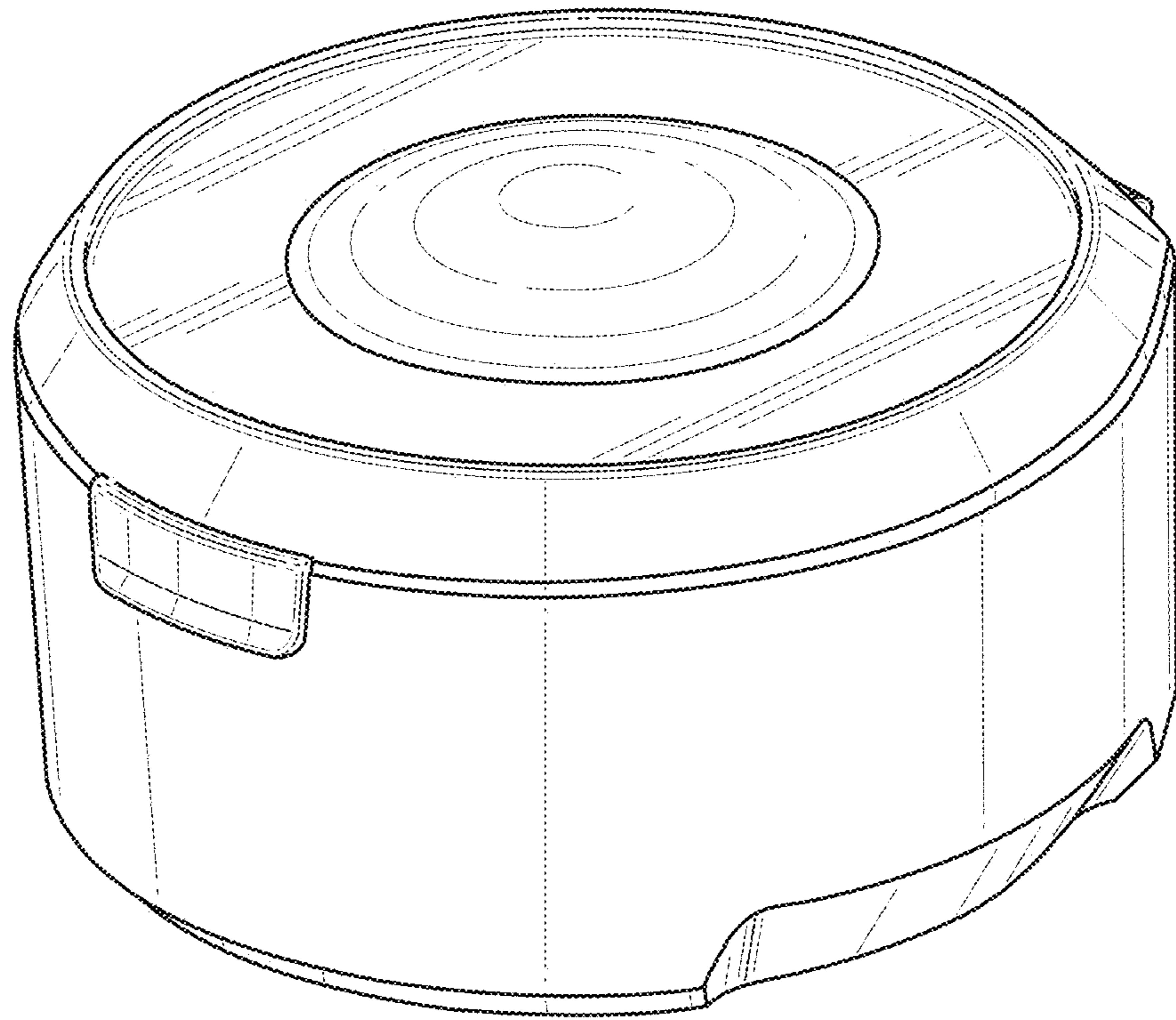


FIG. 1

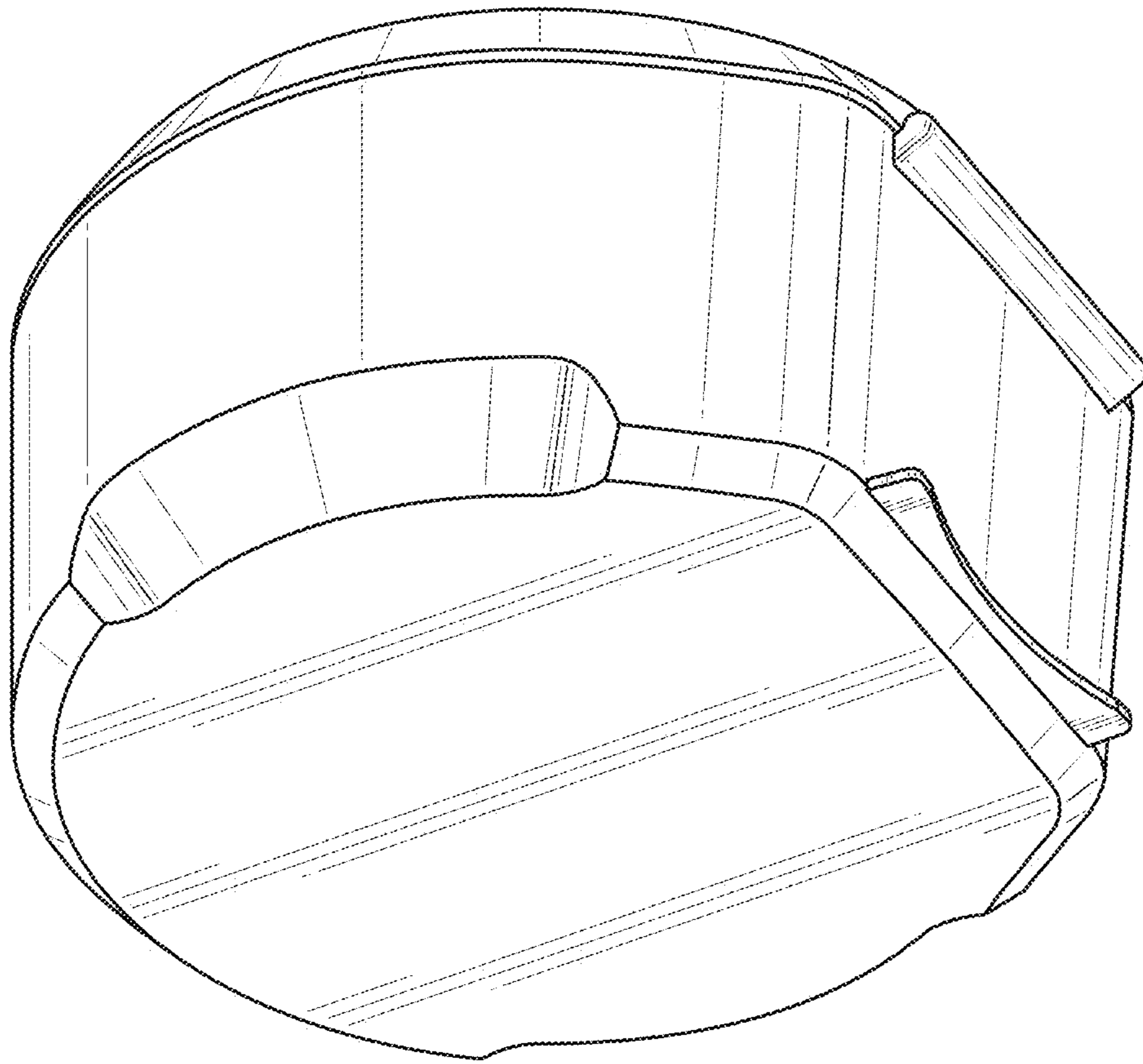


FIG. 2

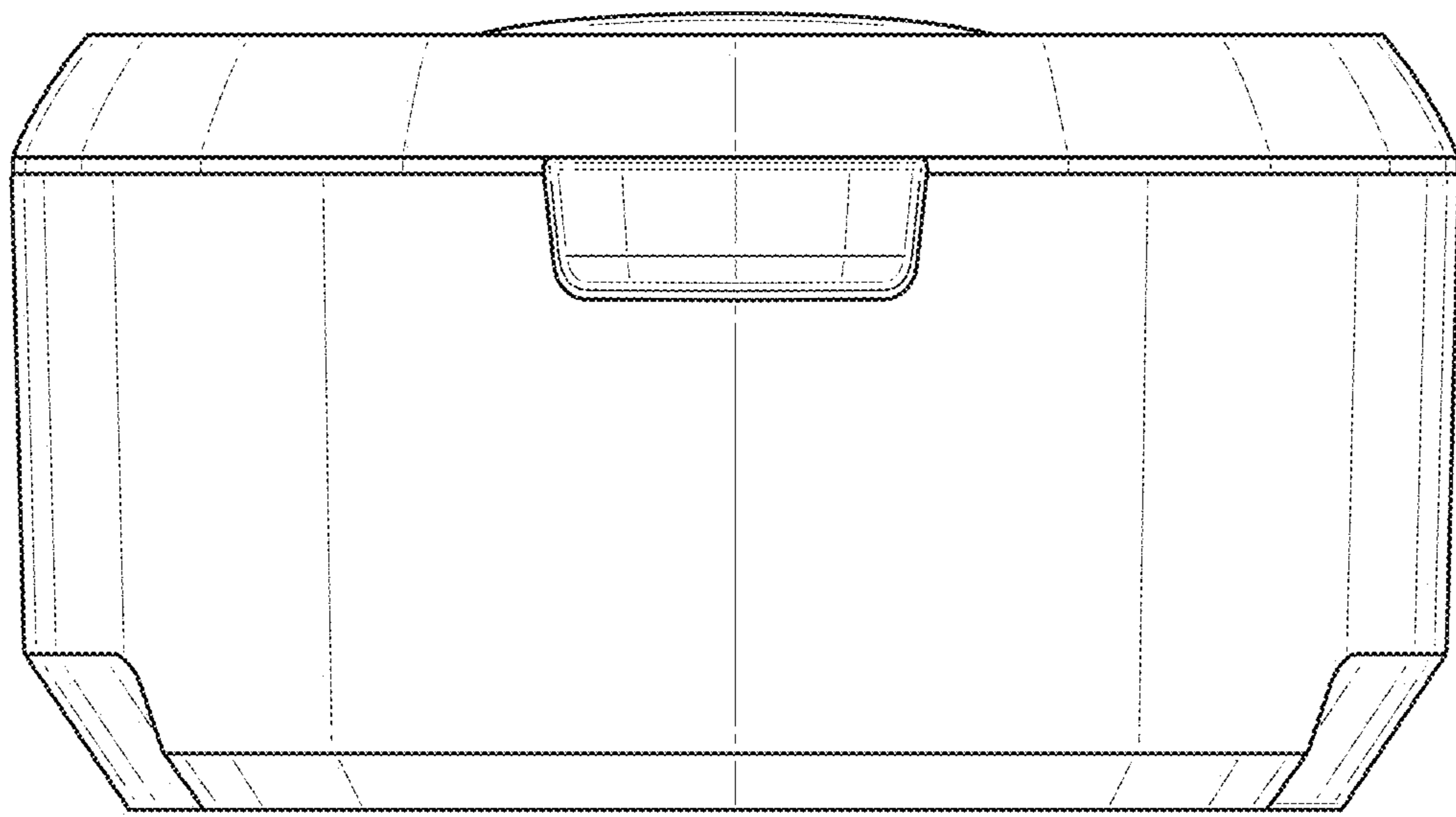


FIG. 3

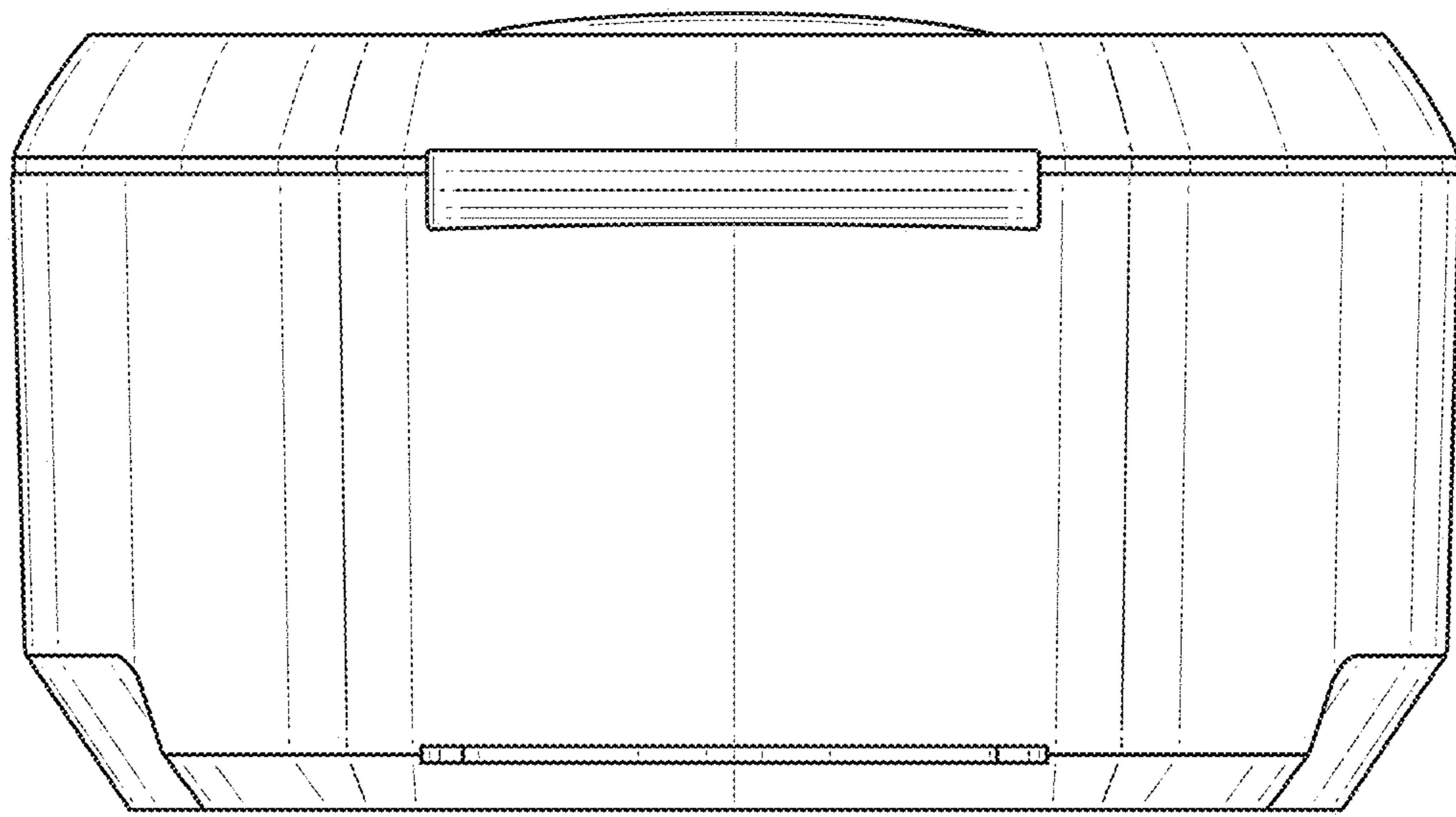


FIG. 4

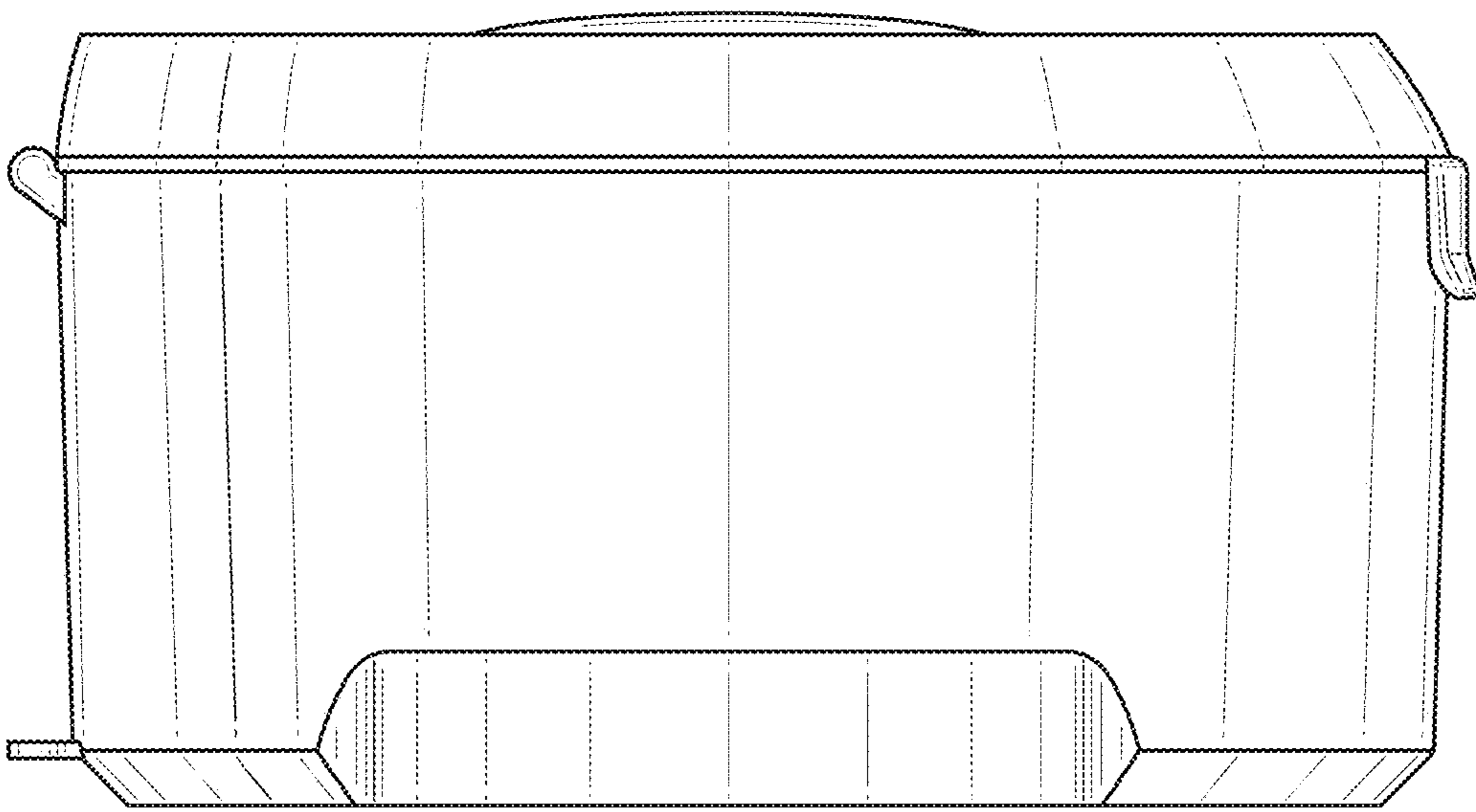


FIG. 5

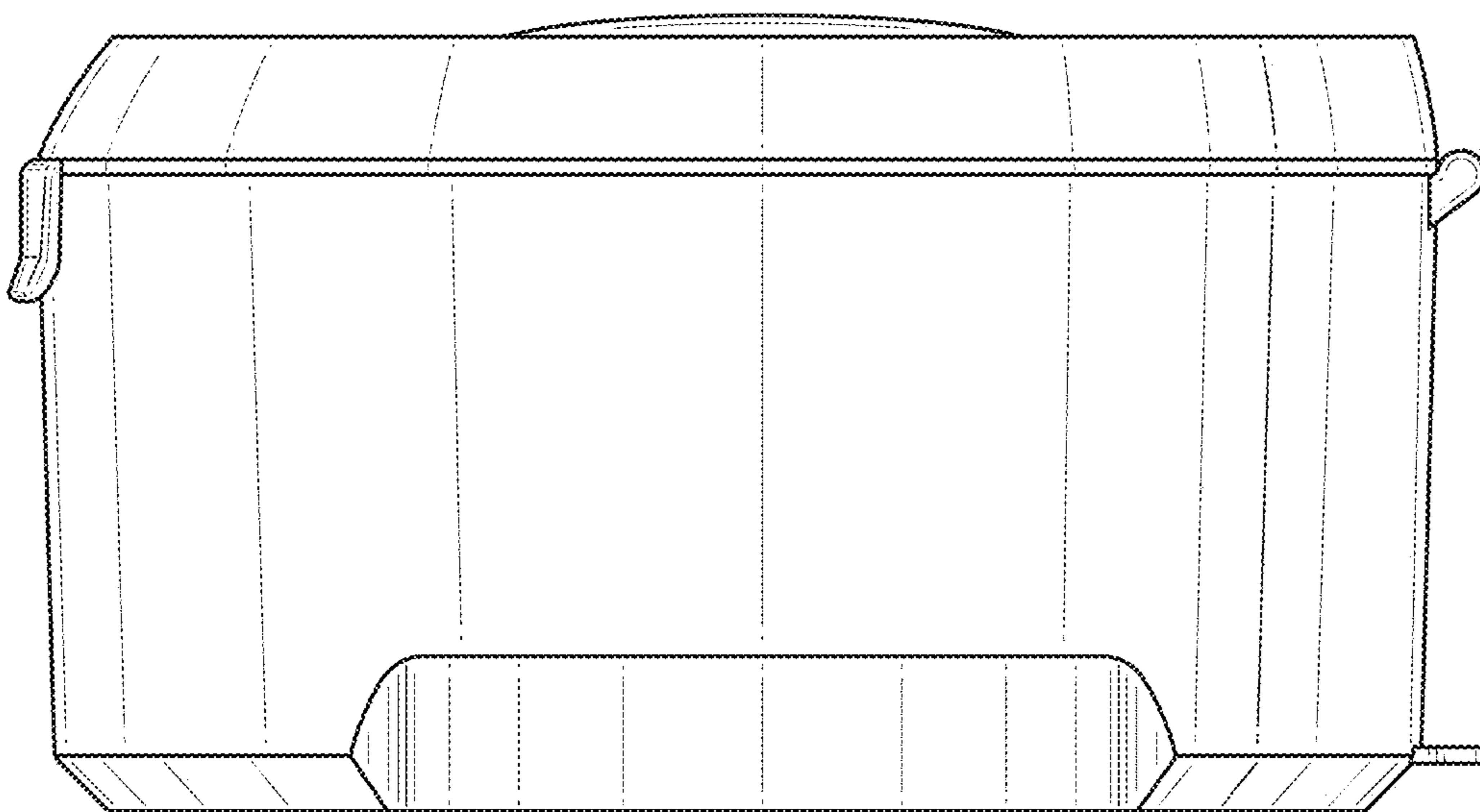


FIG. 6

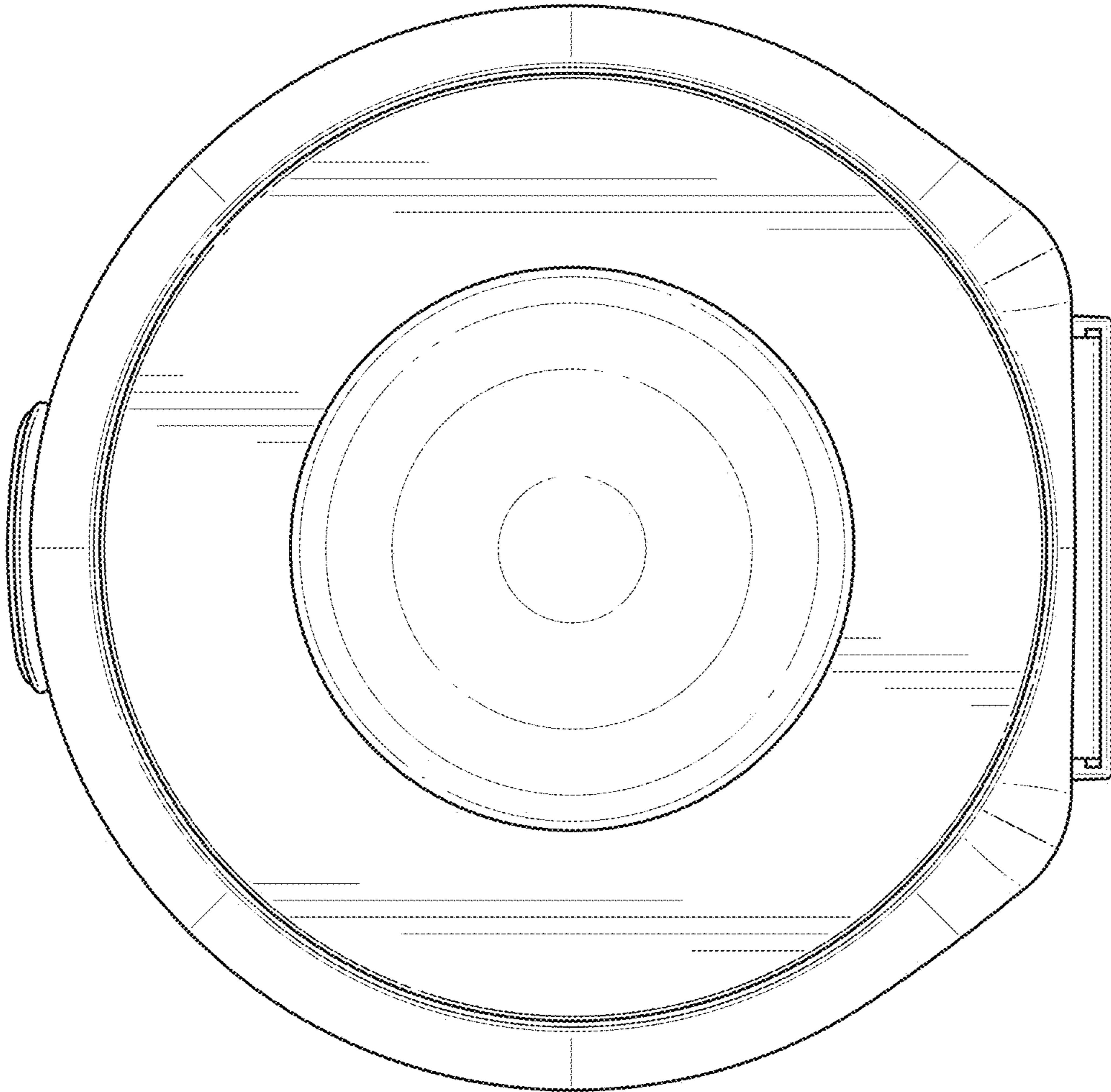


FIG. 7

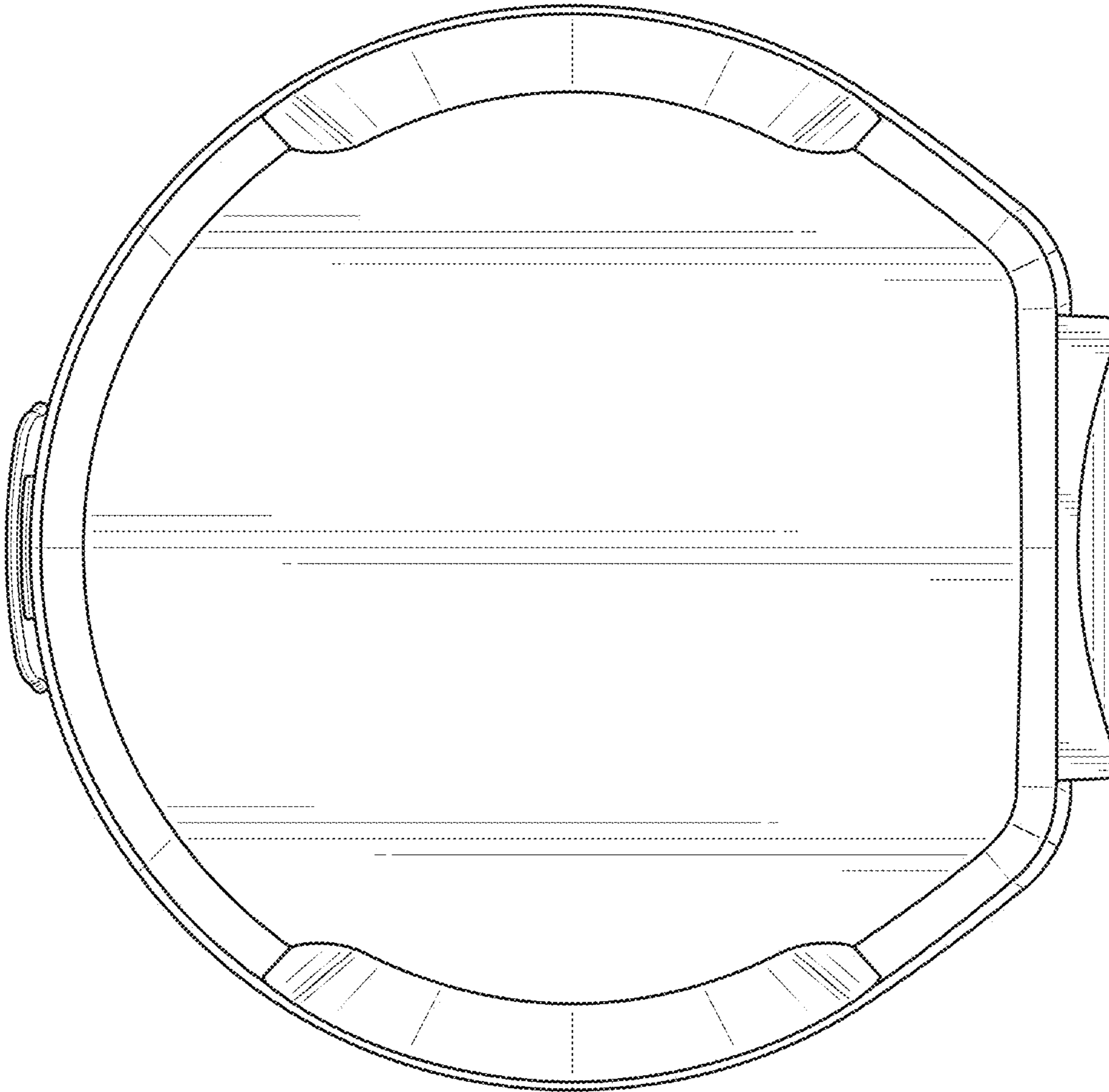


FIG. 8