



US00D880235S

(12) **United States Design Patent**
Fastabend et al.

(10) **Patent No.:** **US D880,235 S**
(45) **Date of Patent:** **** Apr. 7, 2020**

(54) **BLADE SET**

(71) Applicant: **Prince Castle LLC**, Carol Stream, IL (US)

(72) Inventors: **Mark Fastabend**, Chicago, IL (US);
Kyle Kestner, Schaumburg, IL (US);
Anthony Caringella, Norridge, IL (US);
Michael Graef, Naperville, IL (US);
Julia Padvoiskis, Chicago, IL (US);
Eric Larson, Pecatonica, IL (US);
Scott Hammac, Joliet, IL (US)

(73) Assignee: **Prince Castle LLC**, Carol Stream, IL (US)

(**) Term: **15 Years**

(21) Appl. No.: **29/644,249**

(22) Filed: **Apr. 16, 2018**

Related U.S. Application Data

(63) Continuation of application No. 29/589,214, filed on Dec. 29, 2016, now Pat. No. Des. 817,712, which is a continuation of application No. 29/517,820, filed on Feb. 17, 2015, now Pat. No. Des. 778,673.

(51) **LOC (12) Cl.** **31-00**

(52) **U.S. Cl.**
USPC **D7/412**

(58) **Field of Classification Search**

USPC D7/393-395, 401.2, 412, 502, 642-652, D7/672-673, 693, 695-696; D8/93, D8/97-100, 107, 300, 321; D22/117-118
CPC ... A01B 1/20; A01B 1/22; A01J 23/00; A21C 15/04; A22C 25/006; A47G 21/06; A47G 21/065; A47J 43/04; A61B 17/3211; A61B 17/3213; B21D 53/64; B25G 3/36; B26B 1/00; B26B 1/08; B26B 1/10; B26B 3/00; B26B 3/02; B26B 3/03; B26B 3/04; B26B 3/06; B26B 5/00; B26B 5/001; B26B 5/007; B26B 7/00;

B26B 7/005; B26B 9/00; B26B 9/02; B26B 11/00; B26B 11/006; B26B 17/00; B26B 17/006; B26B 29/02; B26D 1/553; B26D 3/20; B26D 3/185; B26D 3/283; B26D 7/00

See application file for complete search history.

(56) **References Cited**

U.S. PATENT DOCUMENTS

1,685,245 A 9/1928 Calogero
2,058,765 A * 10/1936 Blumenkranz B26D 1/553
83/465

(Continued)

OTHER PUBLICATIONS

Edlund, Manual Fruit & Vegetable Slicer, 2014.

(Continued)

Primary Examiner — Ricky Pham

(74) *Attorney, Agent, or Firm* — Andrus Intellectual Property Law, LLP

(57) **CLAIM**

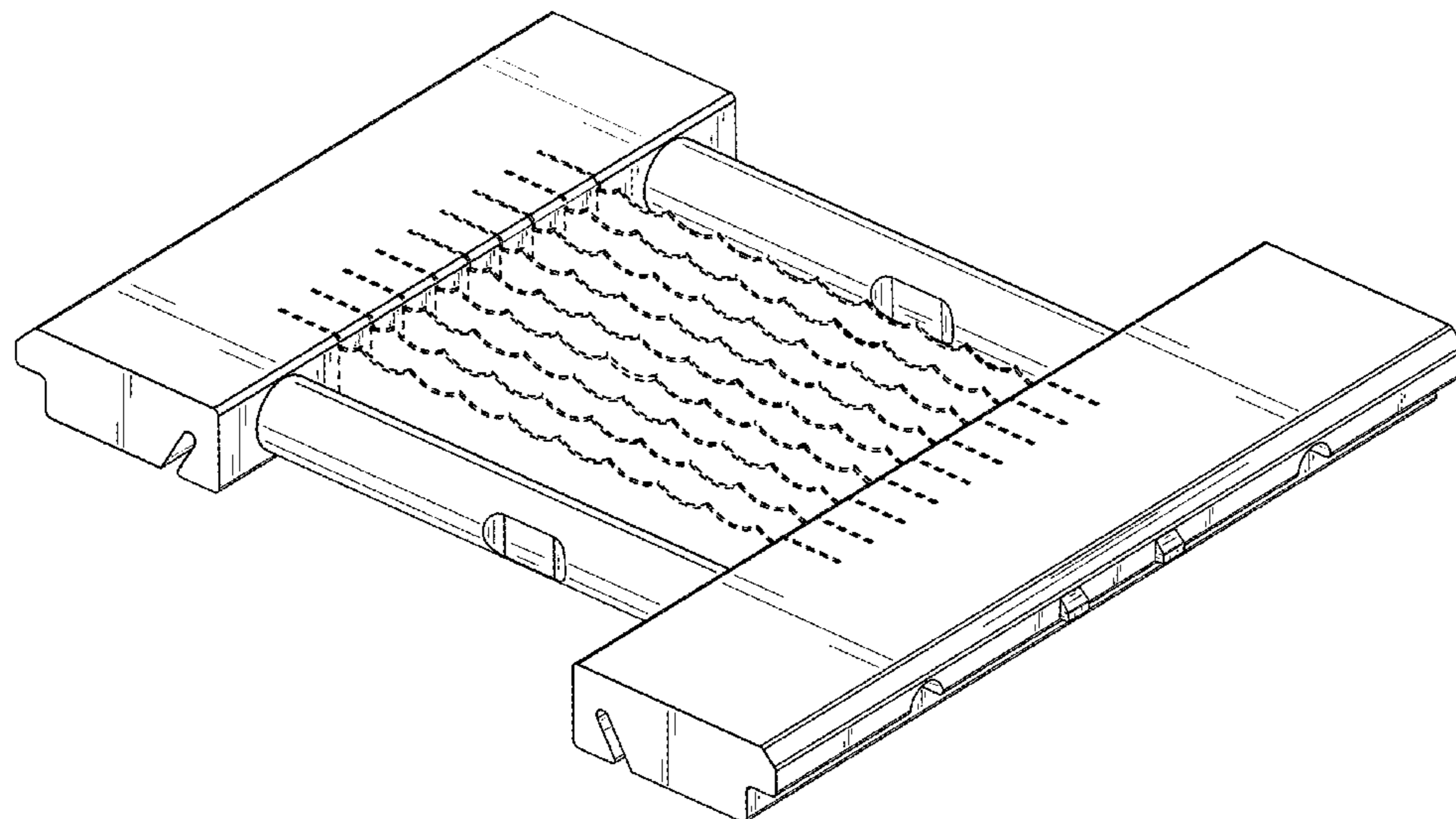
The ornamental design for a blade set, as shown and described.

DESCRIPTION

FIG. 1 is a perspective view of a blade set;
FIG. 2 is a left view thereof;
FIG. 3 is a right view thereof;
FIG. 4 is a back side view thereof;
FIG. 5 is a front side view thereof;
FIG. 6 is a top view thereof; and,
FIG. 7 is a bottom view thereof.

The broken lines showing of various portions and other elements in the Figures are for the purpose of illustrating unclaimed portions and form no part of the claimed design.

1 Claim, 7 Drawing Sheets



(56)

References Cited

U.S. PATENT DOCUMENTS

2,472,699 A * 6/1949 Gangemi B26D 3/20
83/651.1
D158,999 S * 6/1950 Paul D7/502
2,563,237 A * 8/1951 Grocoff B26D 1/553
83/651.1
D164,693 S * 10/1951 Koons D7/673
2,836,212 A 5/1958 Albert
3,163,192 A 12/1964 Lupoli
3,277,574 A 10/1966 Giasi
3,369,582 A 2/1968 Giangiulio
3,463,211 A * 8/1969 Holz B26D 3/185
83/404.3
3,605,839 A 9/1971 Gerson
3,605,840 A 9/1971 Morrett
3,807,266 A 4/1974 Camp
3,924,501 A 12/1975 Cohen et al.
4,040,319 A 8/1977 Taniyama
4,059,037 A 11/1977 Gerson et al.
4,383,365 A * 5/1983 Metzgian B26D 7/00
30/114
4,570,519 A * 2/1986 Motosko, II B26B 5/007
30/283
D297,798 S 9/1988 Leung
D304,139 S * 10/1989 Miles D7/672
5,245,902 A 9/1993 Pereira
5,343,623 A 9/1994 Cole et al.
5,749,145 A 5/1998 Bauklah

D400,065 S 10/1998 Fohrman
D406,990 S 3/1999 Ocampo
6,033,304 A 3/2000 Haynes
6,041,682 A 3/2000 Jensen et al.
D505,302 S 5/2005 Veltrop et al.
D778,673 S 2/2017 Fastabend et al.
D817,712 S * 5/2018 Fastabend D7/412
2004/0025651 A1 * 2/2004 Bachman A21C 15/04
83/13
2005/0199115 A1 9/2005 Veltrop et al.
2006/0185488 A1 8/2006 Short et al.
2010/0116153 A1 * 5/2010 Chen A47J 43/04
99/538
2016/0052156 A1 * 2/2016 Wright B26D 3/283
83/699.51

OTHER PUBLICATIONS

Nemco, Operating and Maintenance Instruction for Lettuce Kutter, 2012.
Nemco, Easy Cartride Onion Slicer, 2008.
Prince Castle LLC, Dice Witch, 2009.
Prince Castle LLC, Lettuce Kutlett, 2009.
Prince Castle LLC, Tomato Saber Operating Instructions, 1999.
Vollrath, Onion King Operator's Manual, 2014.
Notice of Allowance issued for U.S. Appl. No. 29/589,214 dated Mar. 1, 2018.

* cited by examiner

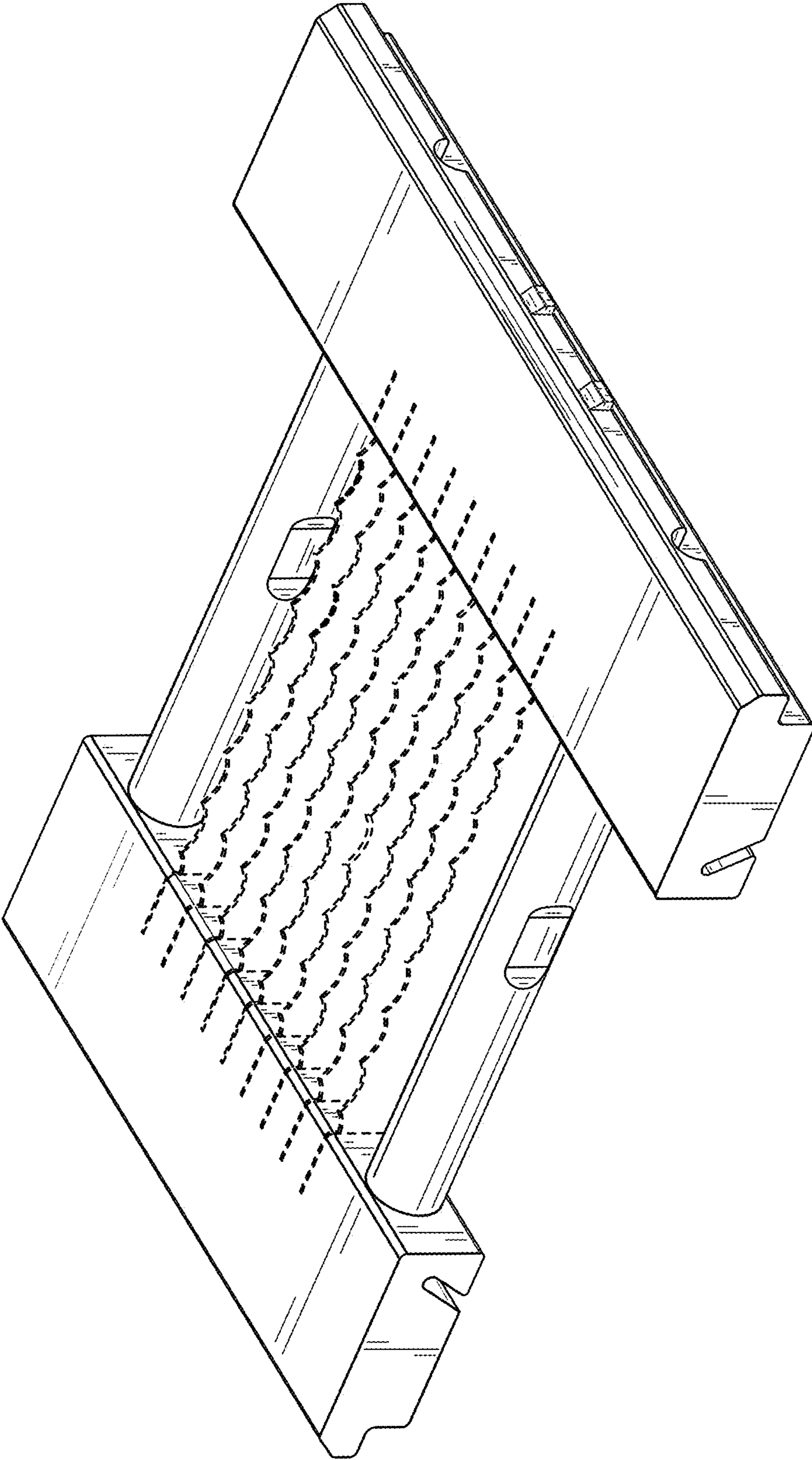


FIG. 1

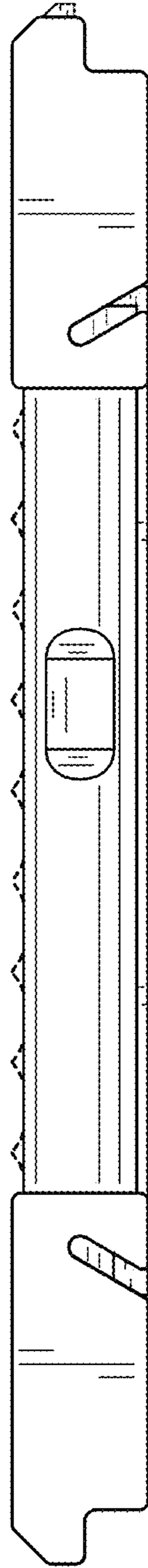


FIG. 2

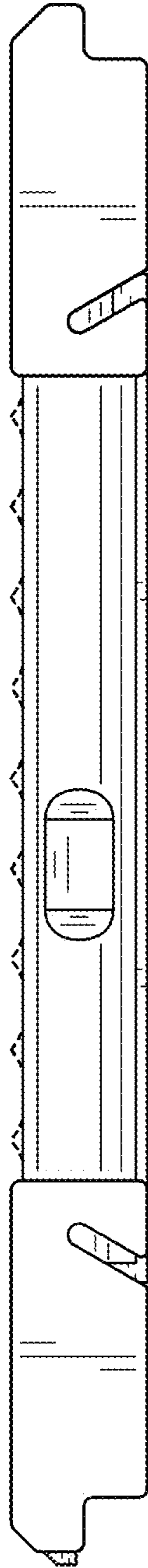


FIG. 3

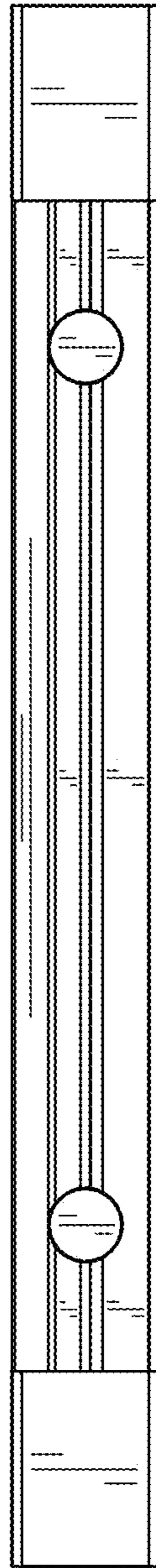


FIG. 4

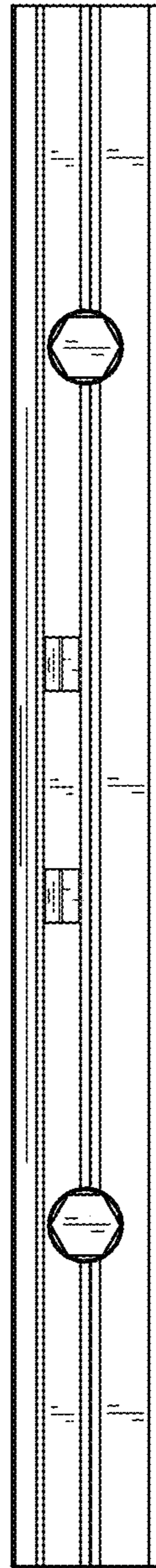


FIG. 5

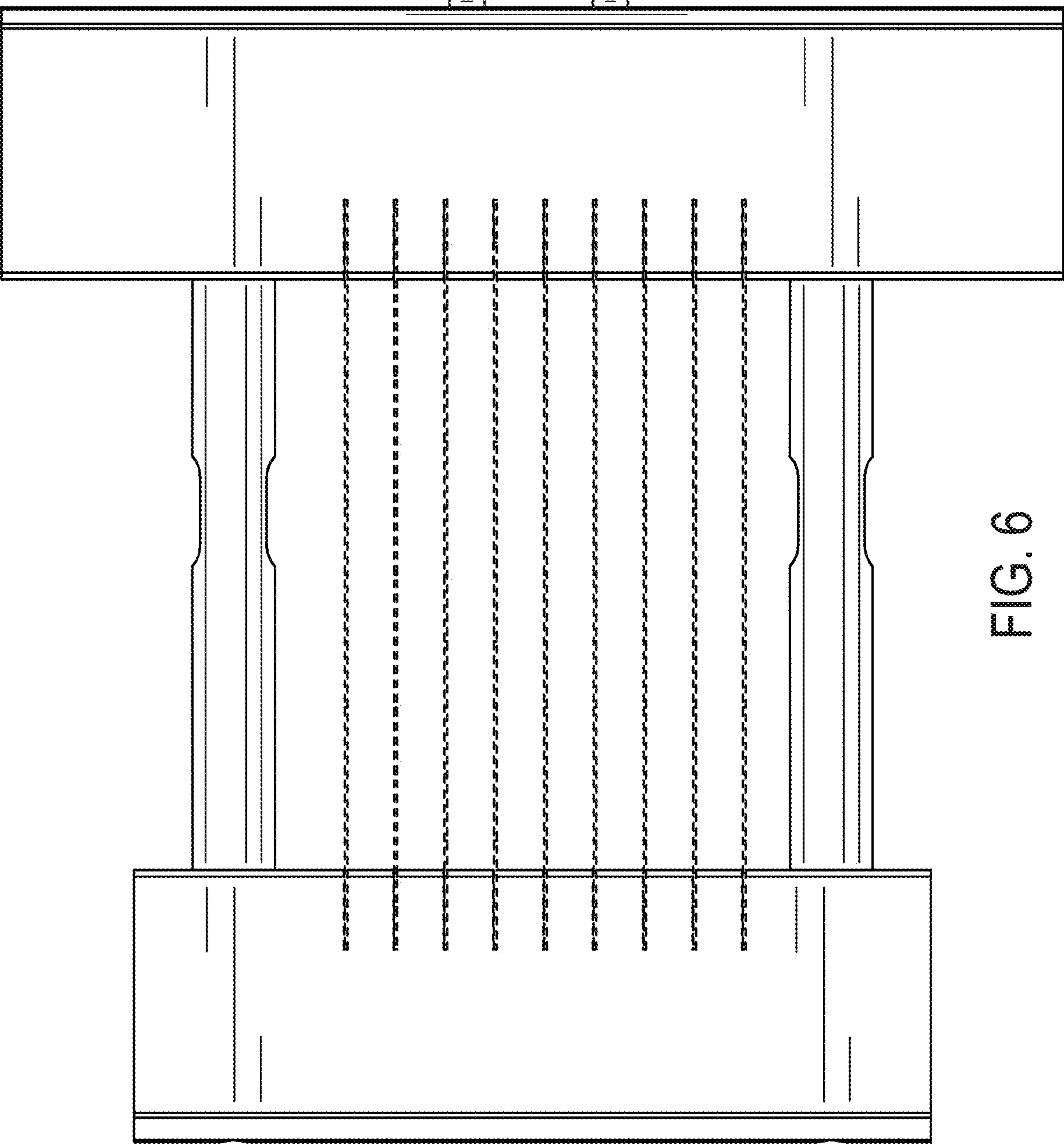


FIG. 6

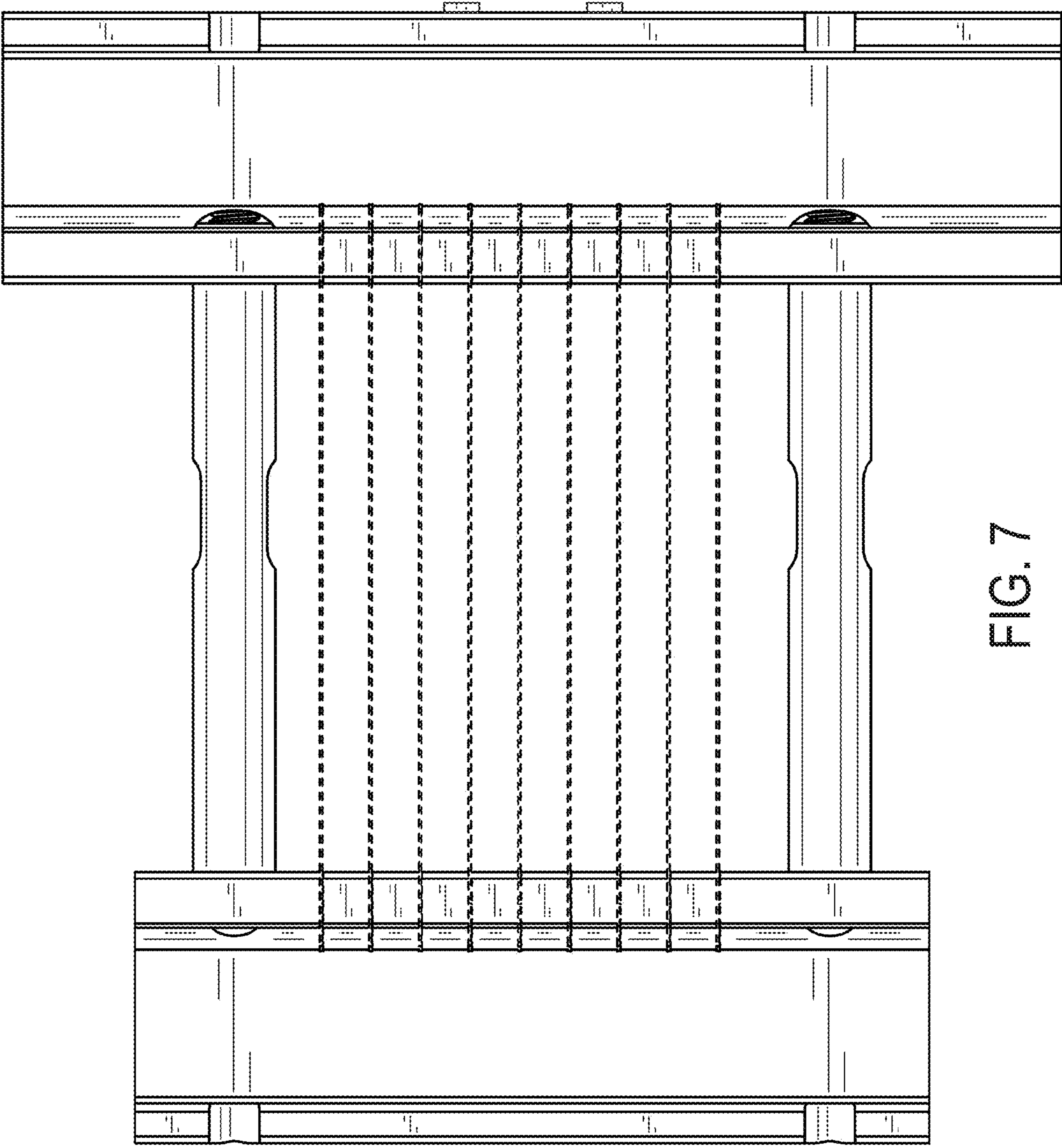


FIG. 7