



US00D880234S

(12) **United States Design Patent** (10) **Patent No.:** **US D880,234 S**
Casey et al. (45) **Date of Patent:** **** Apr. 7, 2020**

(54) **SWIRLER PLATE AND SHROUD ASSEMBLY FOR A PORTABLE STOVE**

D615,354 S * 5/2010 Garpelin D7/402
D686,442 S * 7/2013 Dobert D7/332
D796,253 S * 9/2017 Shen D7/362
D810,495 S * 2/2018 Yau D7/354

(71) Applicants: **Garrett Casey**, Windham, NH (US);
Michael E. Hebert, Jr., Amherst, NH (US);
Adam E. Wilcox, Candia, NH (US)

* cited by examiner

Primary Examiner — Michelle E. Wilson

(72) Inventors: **Garrett Casey**, Windham, NH (US);
Michael E. Hebert, Jr., Amherst, NH (US);
Adam E. Wilcox, Candia, NH (US)

(74) *Attorney, Agent, or Firm* — Reinhart Boerner Van Deuren P.C.

(73) Assignee: **Johnson Outdoors Inc.**, Racine, WI (US)

(57) **CLAIM**

We claim the ornamental design for a swirler plate and shroud assembly for a portable stove, as shown and described.

(**) Term: **15 Years**

DESCRIPTION

(21) Appl. No.: **29/626,960**

FIG. 1 is a top perspective view of the swirler plate and shroud assembly, with the swirler plate shown in broken lines;

(22) Filed: **Nov. 21, 2017**

FIG. 2 is a top perspective view thereof, showing the side opposite shown in FIG. 1;

(51) **LOC (12) Cl.** **07-02**

FIG. 3 is a top view thereof;

(52) **U.S. Cl.**

FIG. 4 is a bottom view thereof;

USPC **D7/407**

(58) **Field of Classification Search**

FIG. 5 is a front view thereof;

USPC D7/332–337, 339–341, 346–349,

FIG. 6 is a back view thereof;

D7/354–356, 362, 363, 366, 367, 396.1,

FIG. 7 is a side view thereof;

D7/402–407

FIG. 8 is a side view thereof, showing the side opposite shown in FIG. 7;

CPC F23D 14/00; F23D 14/02; F23D 14/04;

FIG. 9 is a bottom perspective view thereof;

F24C 3/08; H05B 2213/07; H05B 3/68

FIG. 10 is a bottom perspective view thereof, showing the side opposite shown in FIG. 19;

See application file for complete search history.

FIG. 11 is a top perspective view thereof;

(56) **References Cited**

FIG. 12 is a top perspective view thereof, showing the side opposite shown in FIG. 21; and,

U.S. PATENT DOCUMENTS

FIG. 13 is a top view thereof.

D206,946 S * 2/1967 Knodt D26/22

The broken lines shown in the drawings are for purposes of illustrating unclaimed portions of the swirler plate and shroud assembly for a portable stove.

D243,502 S * 3/1977 Chan D7/407

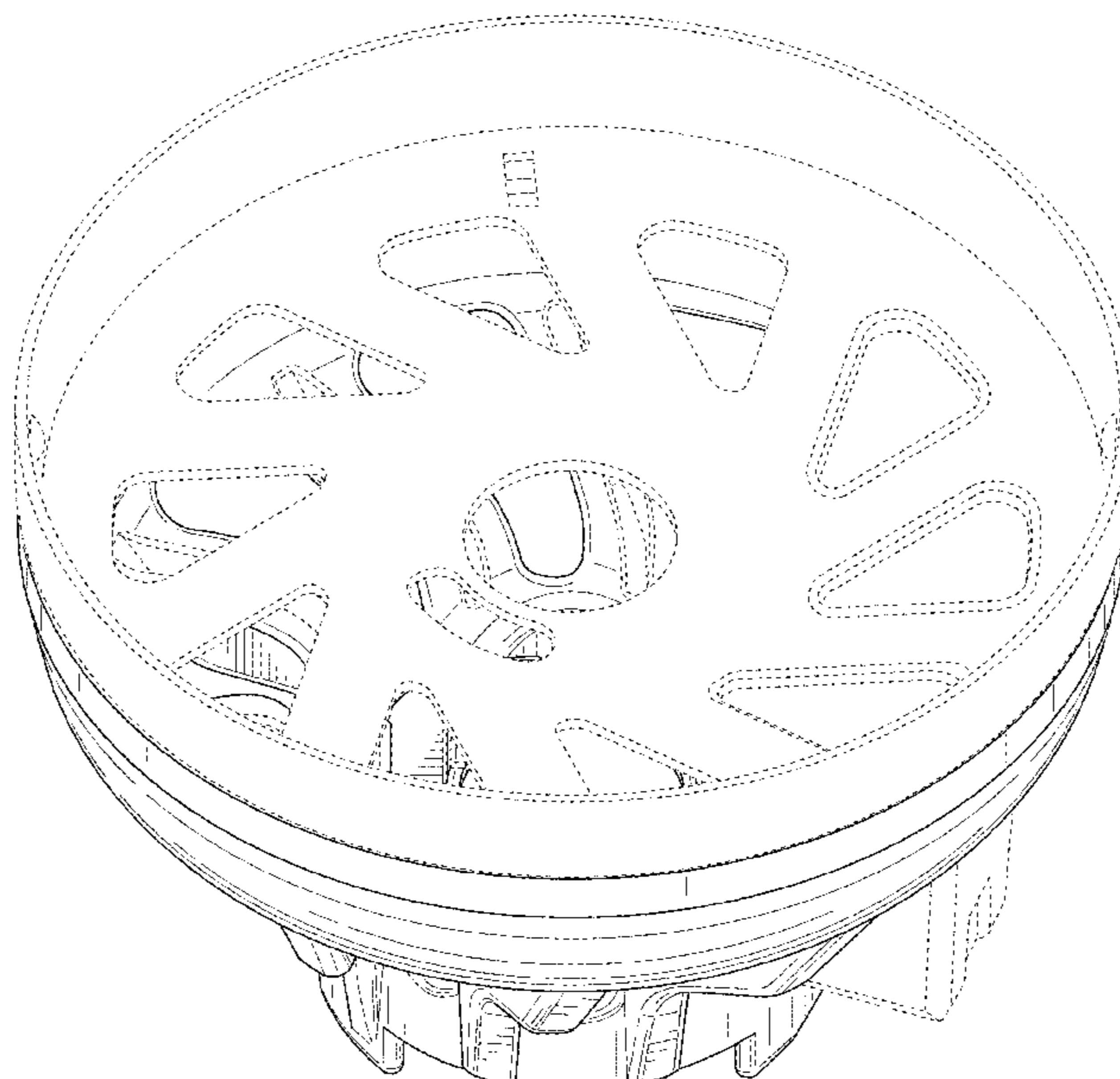
D298,100 S * 10/1988 Thurlow D26/10

D340,383 S * 10/1993 Addison D7/402

D422,452 S * 4/2000 Persson D7/332

D570,642 S * 6/2008 Svartstrom D7/337

1 Claim, 13 Drawing Sheets



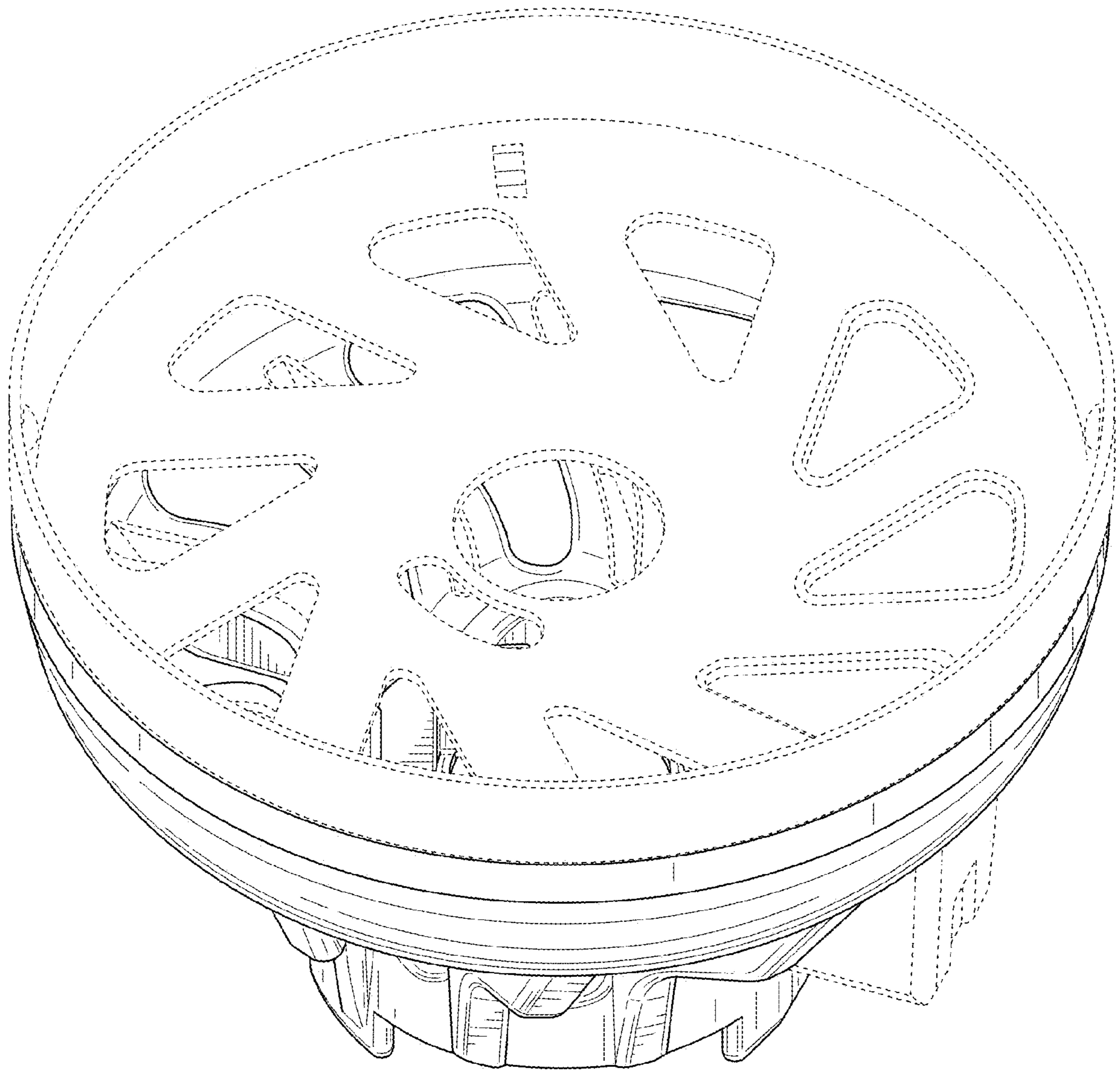


FIG. 1

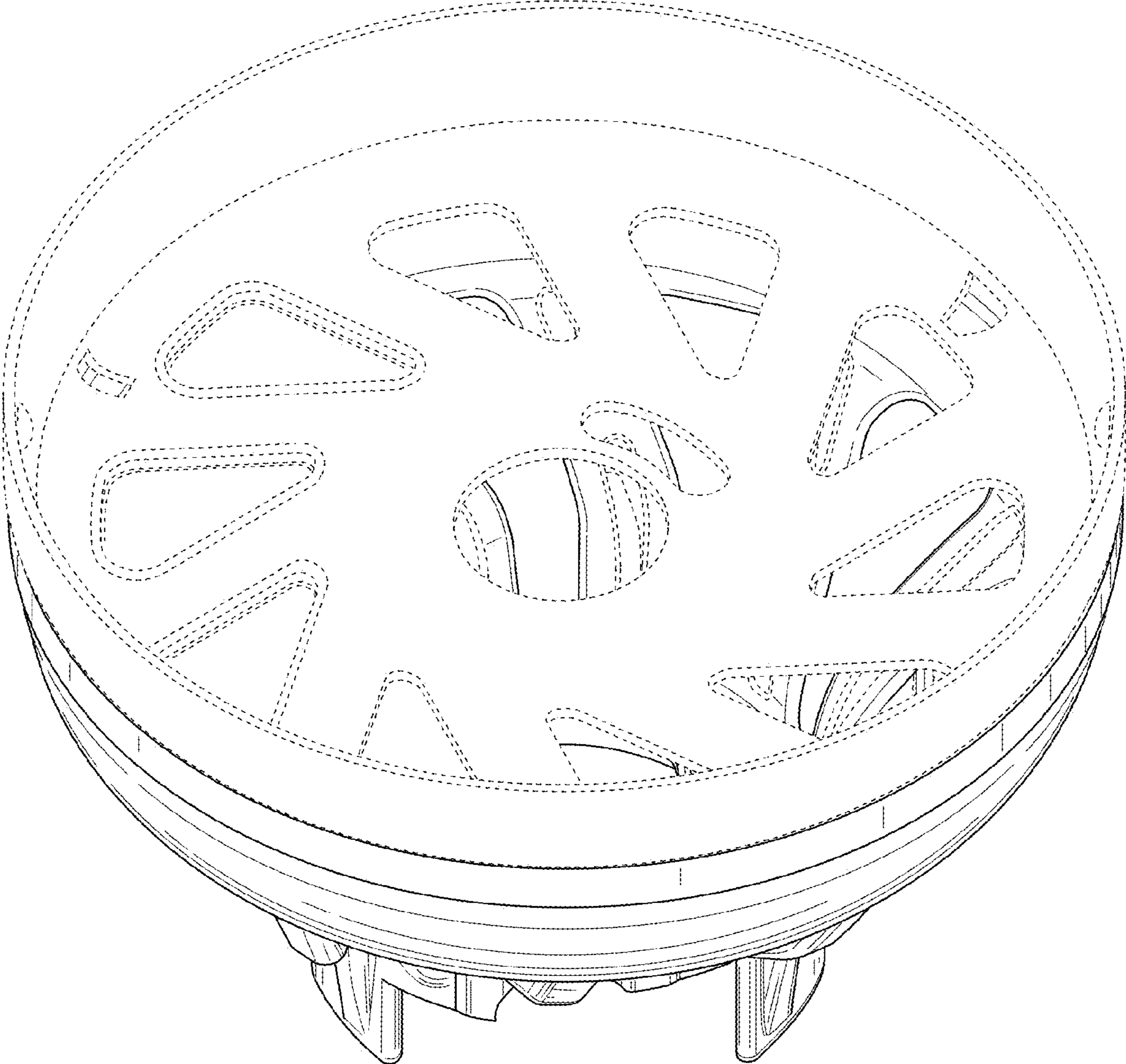


FIG. 2

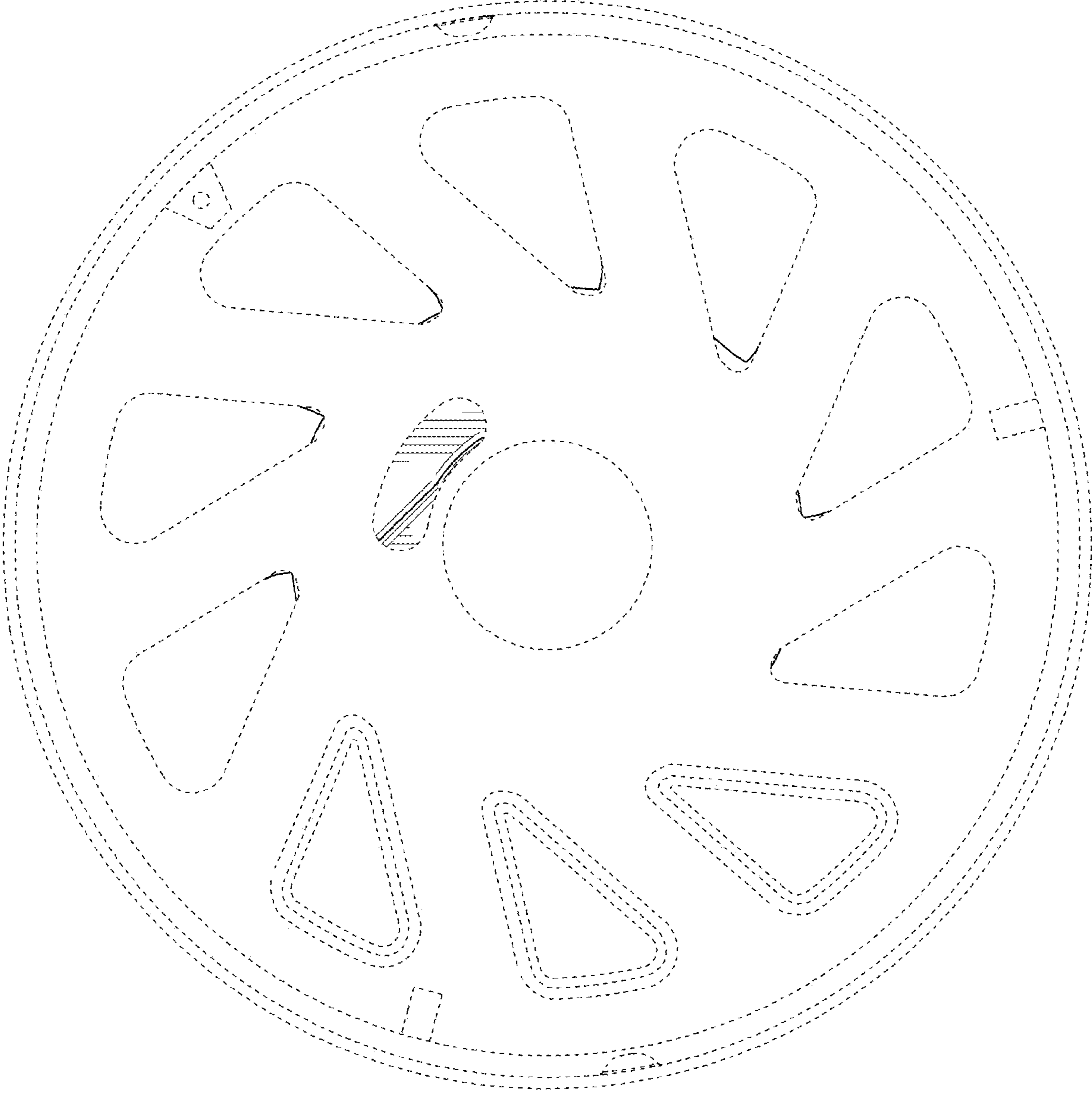


FIG. 3

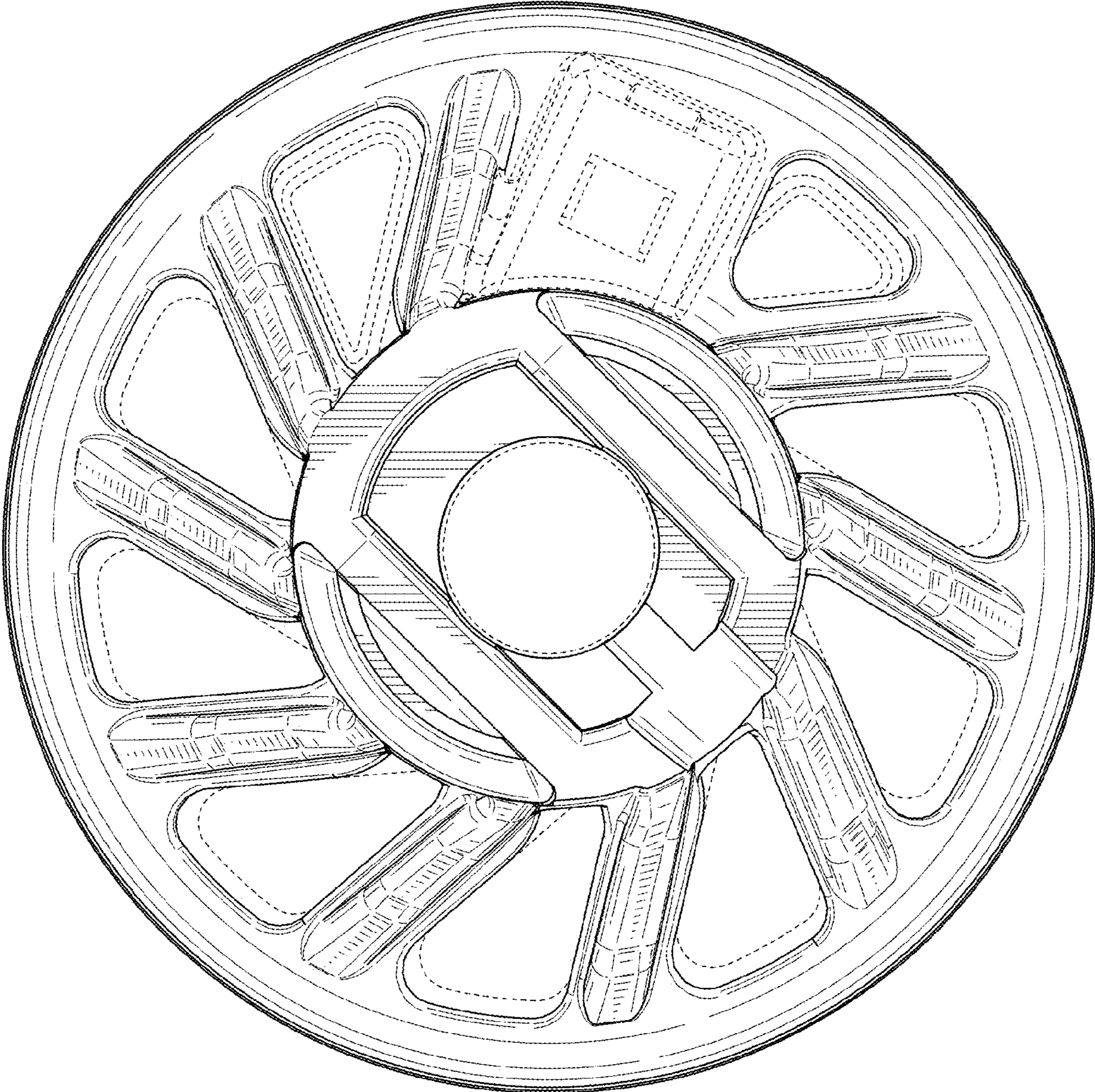


FIG. 4

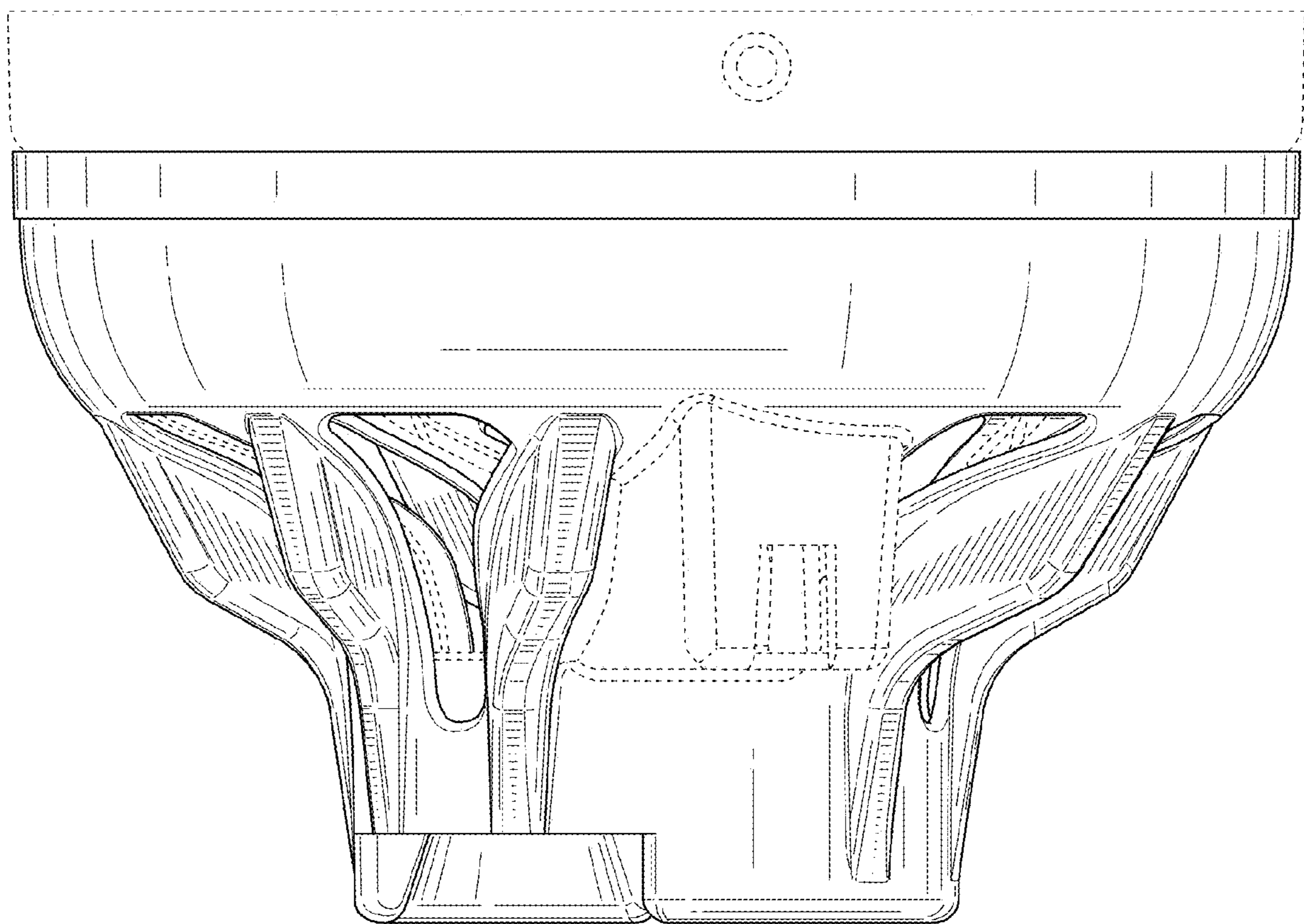


FIG. 5

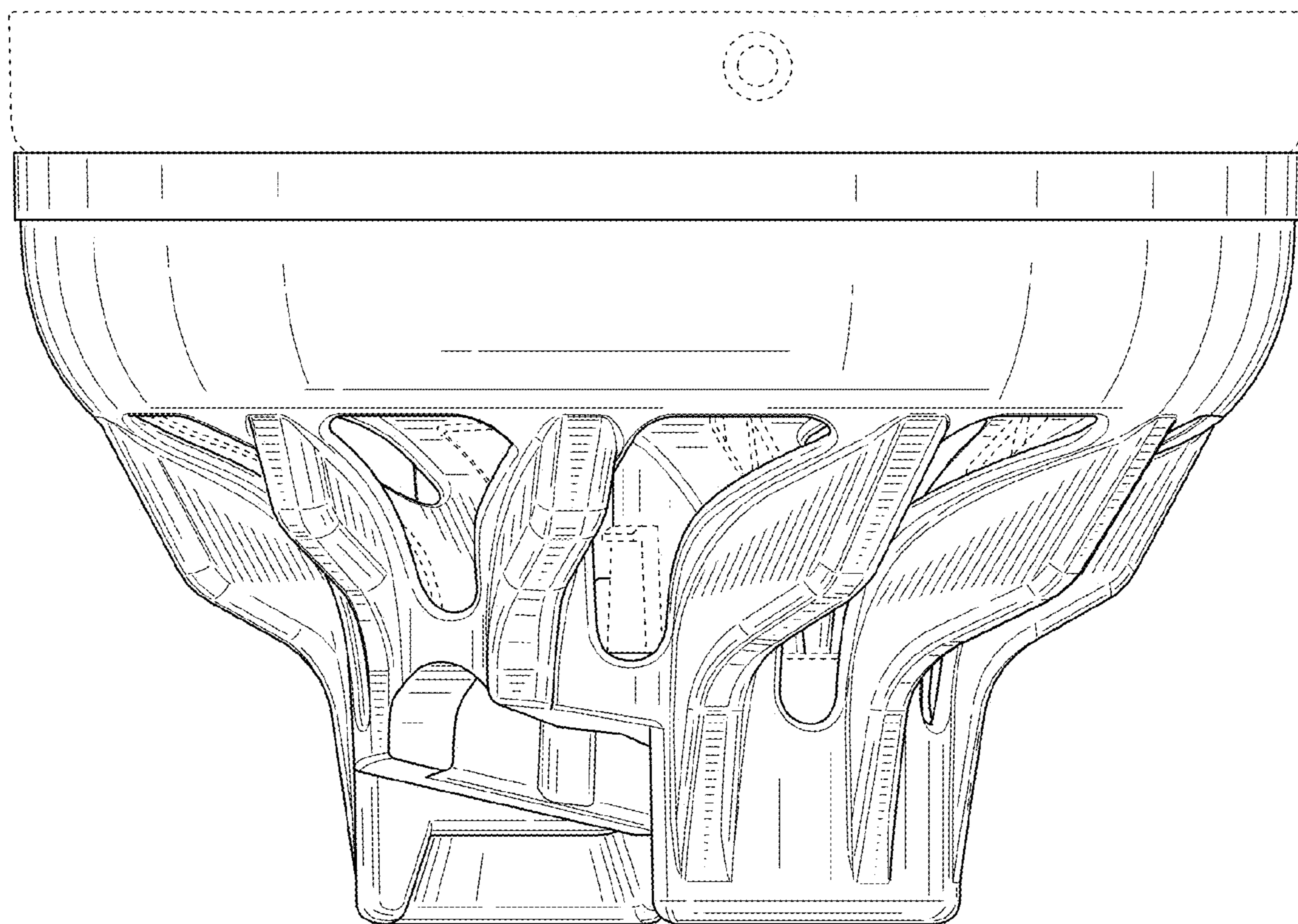


FIG. 6

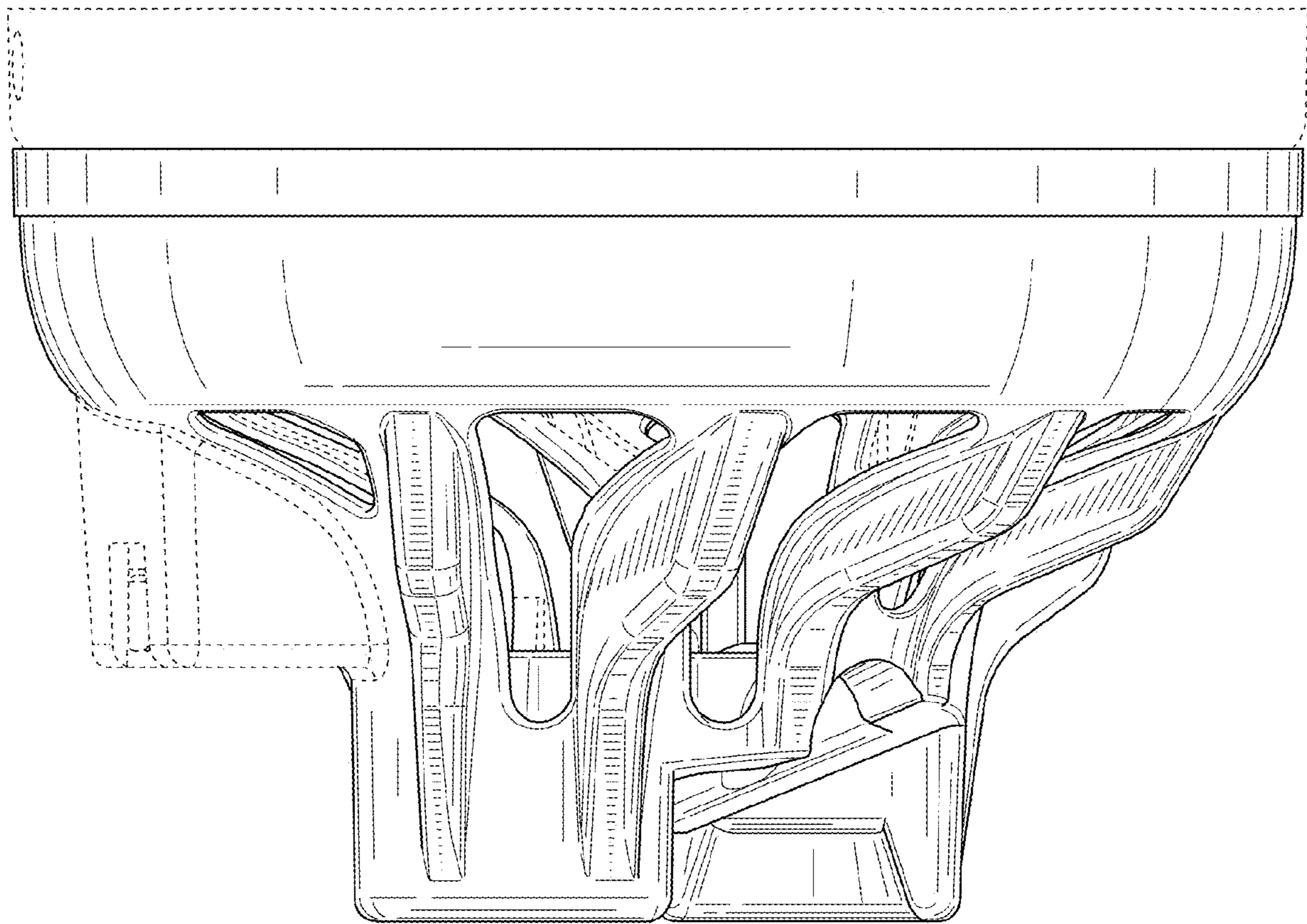


FIG. 7

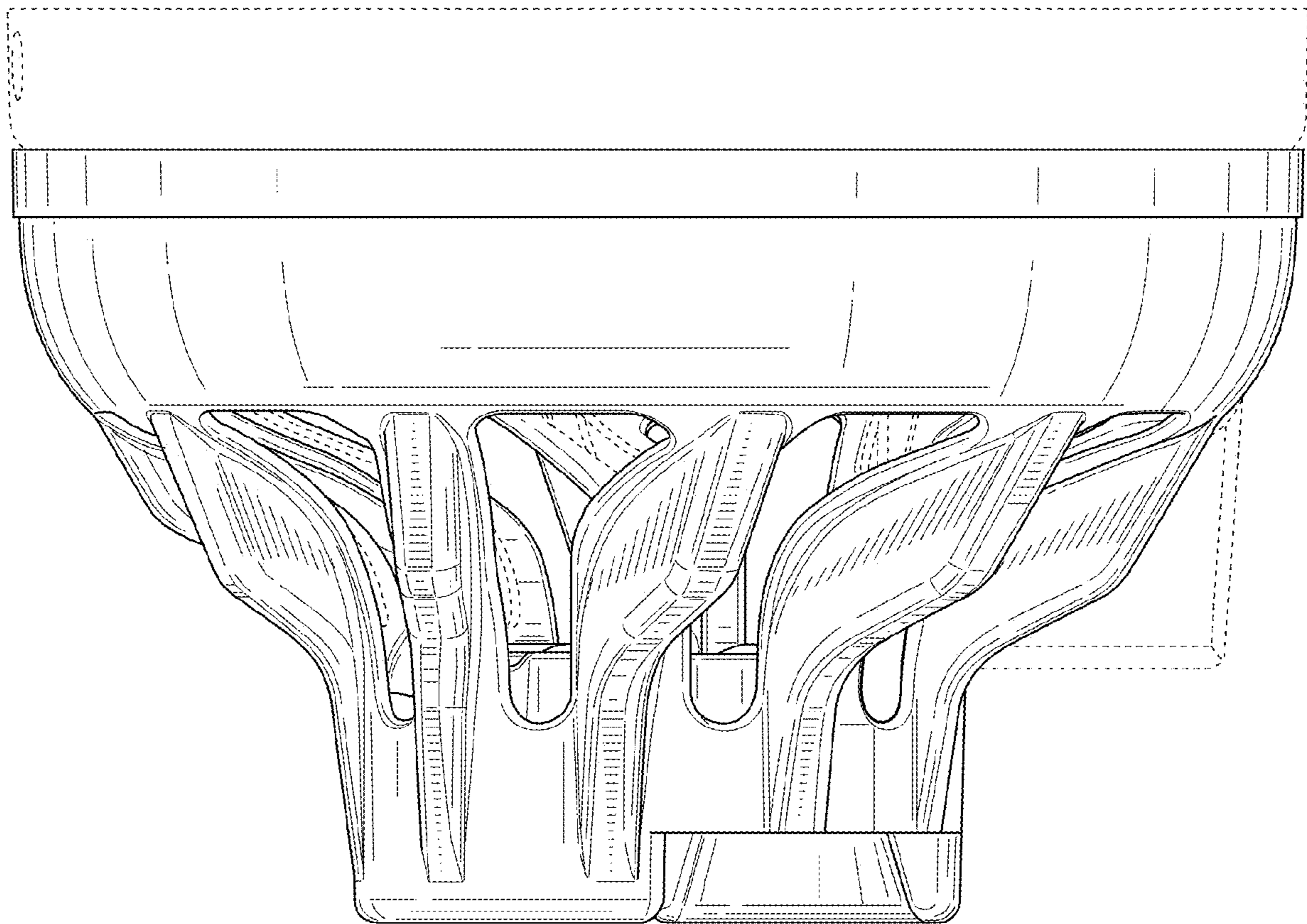


FIG. 8

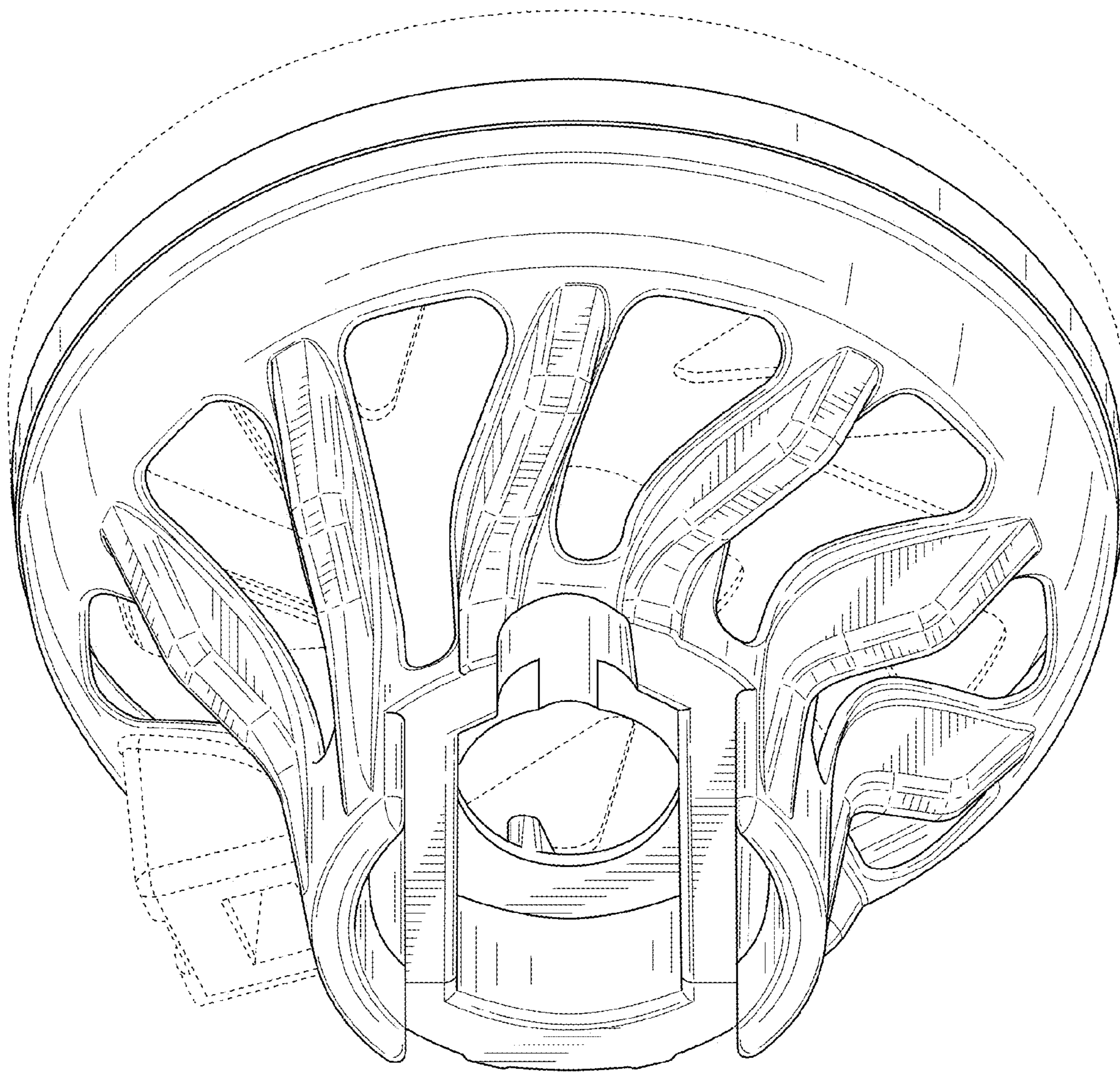


FIG. 9

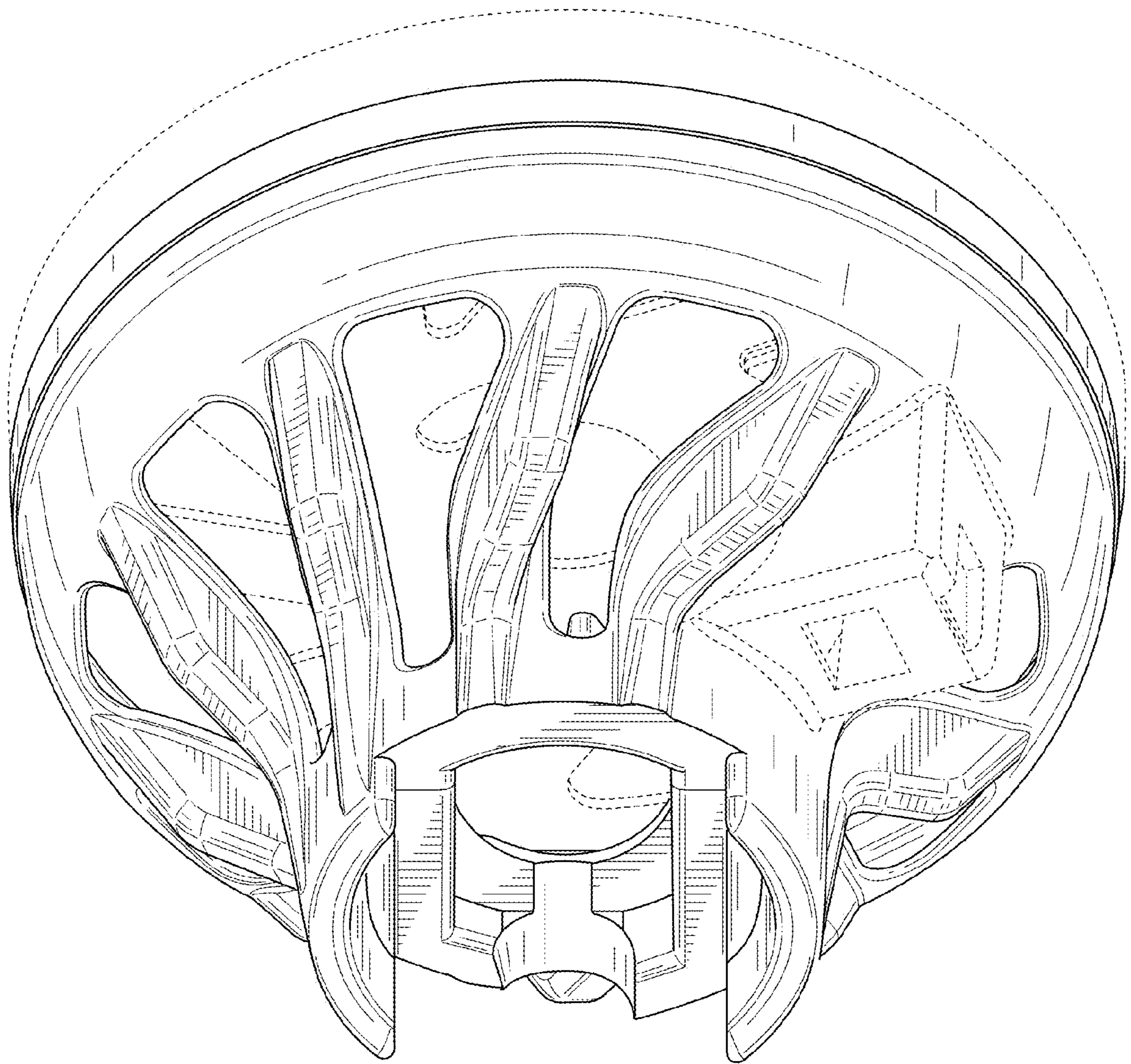


FIG. 10

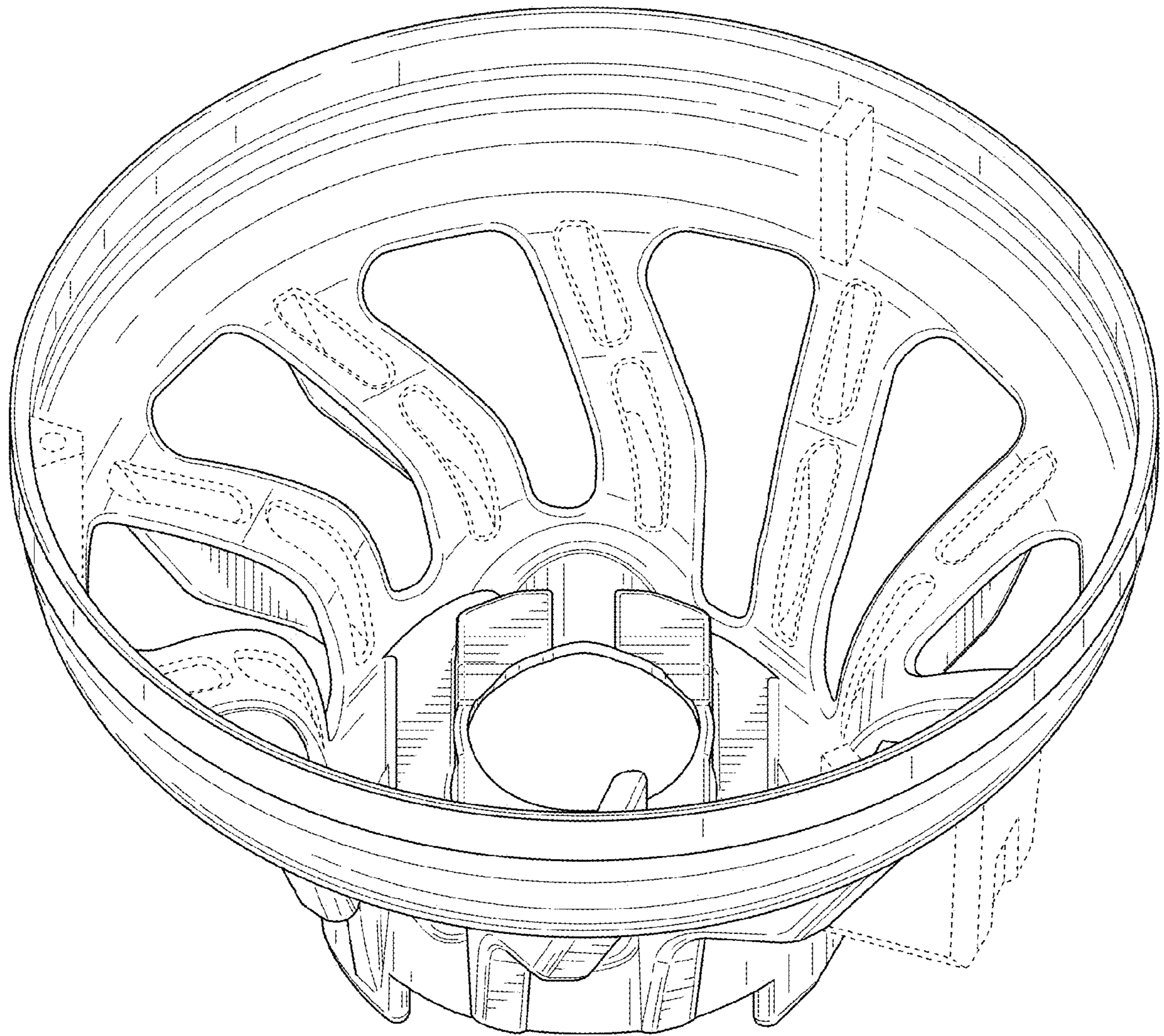


FIG. 11

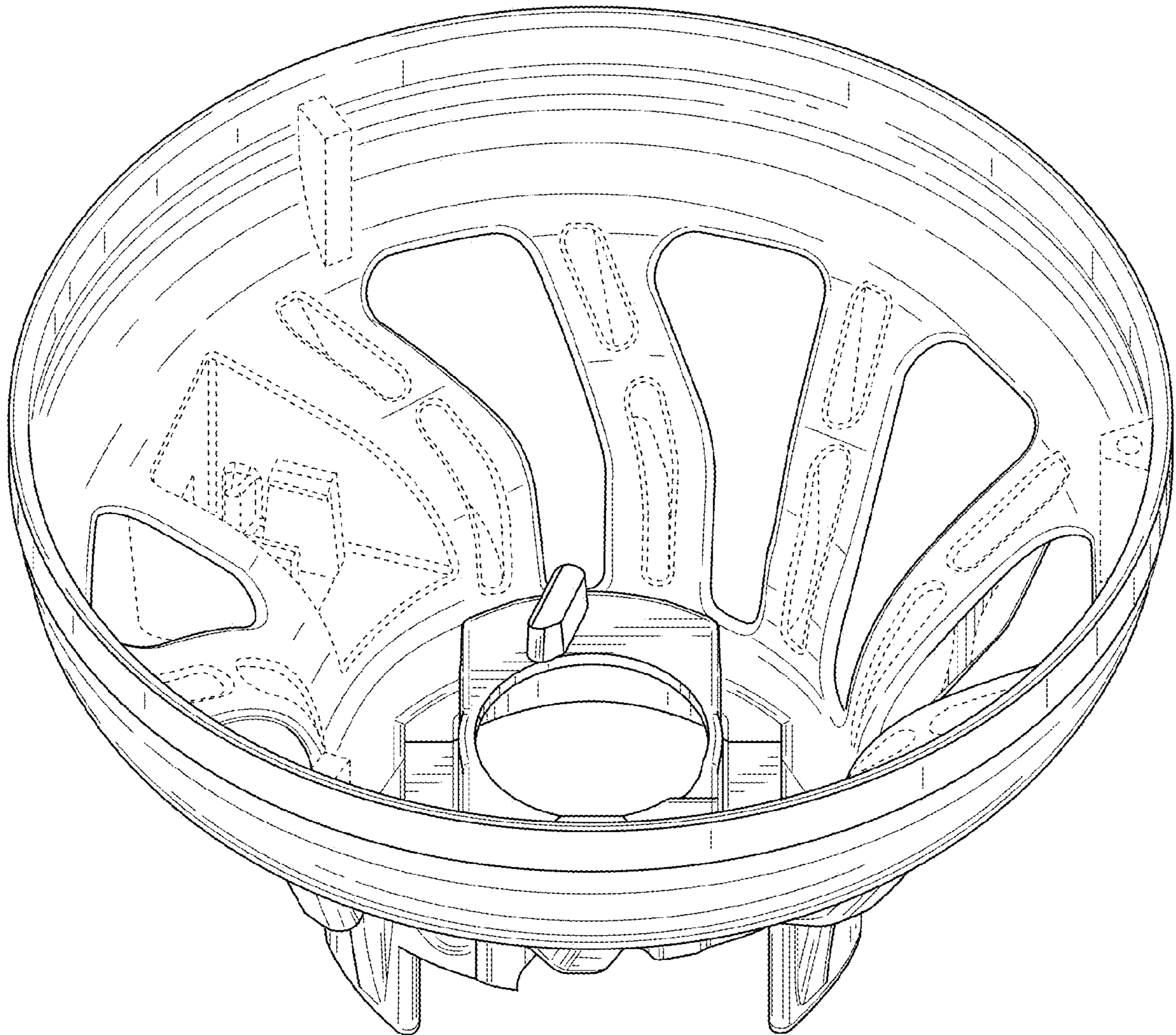


FIG. 12

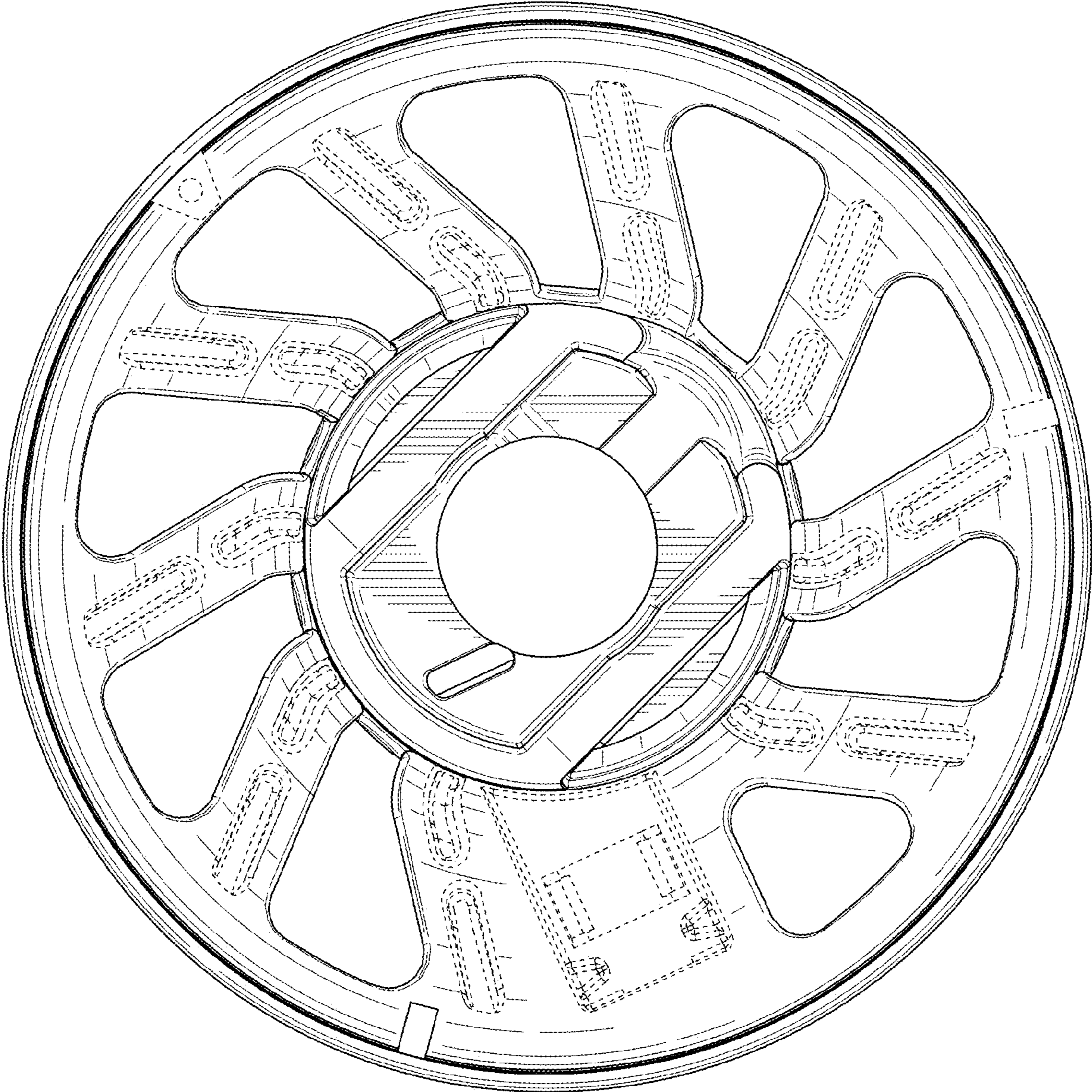


FIG. 13