



US00D880231S

(12) **United States Design Patent**  
**Edlund Tjernberg et al.**

(10) **Patent No.:** **US D880,231 S**  
(45) **Date of Patent:** **\*\* Apr. 7, 2020**

- (54) **RIM LID FOR CUP**
- (71) Applicant: **b.box for kids developments Pty Ltd**,  
Mulgrave, Victoria (AU)
- (72) Inventors: **Lisa Edlund Tjernberg**, Mulgrave  
(AU); **Sylvain Jacques Amatoury**,  
Mulgrave (AU)
- (73) Assignee: **B.Box for Kids Developments Pty**  
**Ltd.**, Mulgrave, Victoria (AU)
- (\*\*) Term: **15 Years**

5,143,248 A *	9/1992	Sawatsky .....	B65D 47/265 220/253
5,820,016 A *	10/1998	Stropkay .....	B65D 1/265 229/403
D441,288 S *	5/2001	Pillers .....	D7/392.1
D450,583 S *	11/2001	Freed .....	D7/392.1
D457,778 S	5/2002	Randolph et al.	
D474,068 S *	5/2003	Fujii .....	D7/392.1
D488,376 S *	4/2004	Chung .....	D9/447
D525,826 S *	8/2006	Kugler .....	D7/396.2
D531,033 S	10/2006	Schmidtner et al.	
D535,561 S	1/2007	Smith et al.	
D570,213 S *	6/2008	Newman .....	D9/447
D593,361 S	6/2009	Hundley	

(Continued)

- (21) Appl. No.: **29/654,473**
- (22) Filed: **Jun. 25, 2018**
- (51) **LOC (12) Cl.** ..... **07-99**
- (52) **U.S. Cl.**  
USPC ..... **D7/396.2**; D7/392.1; D9/447
- (58) **Field of Classification Search**  
USPC ..... D9/414, 434-436, 438-440, 443-457,  
D9/499, 503-505, 682, 685, 686;  
D7/387, 391, 392, 392.1, 396.2-396.4,  
D7/401.1, 507, 509-511, 538, 900;  
D3/202, 203.2, 318; D28/91.1  
CPC .. A61J 1/00; A61J 1/1412; B65D 1/00; B65D  
1/02; B65D 1/10; B65D 1/46; B65D  
5/46; B65D 41/00; B65D 41/38; B65D  
41/56; B65D 41/62; B65D 47/00; B65D  
47/06; B65D 47/08; B65D 2251/00;  
B65D 2543/00046; B65D 2543/00092;  
B65D 2543/00296; B65D 2585/56; B65D  
2585/545

See application file for complete search history.

(56) **References Cited**

**U.S. PATENT DOCUMENTS**

2,226,146 A	12/1940	Smith
3,727,808 A	4/1973	Fitzgerald
4,589,569 A	5/1986	Clements

**FOREIGN PATENT DOCUMENTS**

EM 006613824-0001 \* 7/2019

*Primary Examiner* — Michael A. Pratt

*Assistant Examiner* — Wendy L Arminio

(74) *Attorney, Agent, or Firm* — Brooks Kushman P.C.

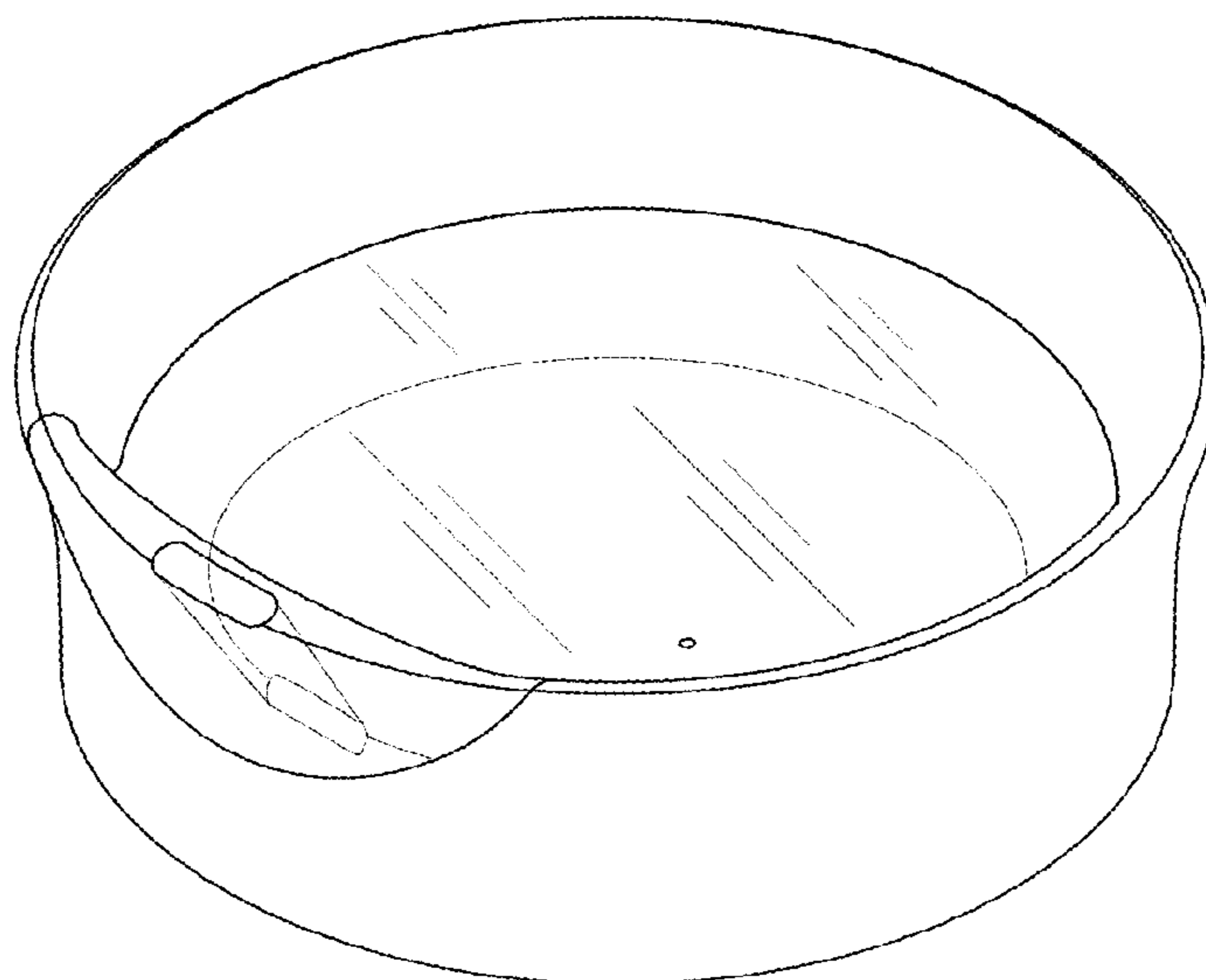
(57) **CLAIM**

The ornamental design for a rim lid for cup, as shown and described.

**DESCRIPTION**

FIG. 1 is a front side perspective view of a rim lid for cup;  
 FIG. 2 is a rear side perspective view of FIG. 1;  
 FIG. 3 is a front side view of FIG. 1;  
 FIG. 4 is a rear side view of FIG. 1;  
 FIG. 5 is a right side view of FIG. 1, the left side view being a mirror image thereof;  
 FIG. 6 is a top plan view of FIG. 1; and,  
 FIG. 7 is a bottom plan view of FIG. 1.  
 The broken lines depict portions of the rim lid for cup that form no part of the claimed design.  
 The shading in the Figures represents translucent regions of the rim lid for cup.

**1 Claim, 3 Drawing Sheets**



(56)

**References Cited**

U.S. PATENT DOCUMENTS

D631,284	S *	1/2011	Fuller	.....	D7/392.1
D636,634	S	4/2011	Kemper et al.		
D671,793	S	12/2012	Hakim		
D731,240	S	6/2015	Bell et al.		
D777,034	S *	1/2017	Sill	.....	D9/454
D781,703	S	3/2017	Strachan		
D783,403	S *	4/2017	Sill	.....	D9/454
D786,673	S *	5/2017	Moffat	.....	D7/392.1
D793,861	S *	8/2017	Siegel	.....	D9/439
D799,320	S	10/2017	Goodwin et al.		
D801,810	S	11/2017	Engel et al.		
D842,038	S *	3/2019	Seiders	.....	D7/510
D843,211	S *	3/2019	Ghorbani	.....	D9/443
D845,064	S *	4/2019	Mulhauser	.....	D7/392.1
D850,192	S *	6/2019	Jacobsen	.....	D7/396.2
D852,625	S *	7/2019	Meyers	.....	D9/447
2010/0252555	A1 *	10/2010	Syed	.....	B65D 3/06 220/212
2010/0288768	A1 *	11/2010	Booth	.....	B65D 43/022 220/213
2010/0288827	A1 *	11/2010	Booth	.....	B65D 21/022 229/404

\* cited by examiner

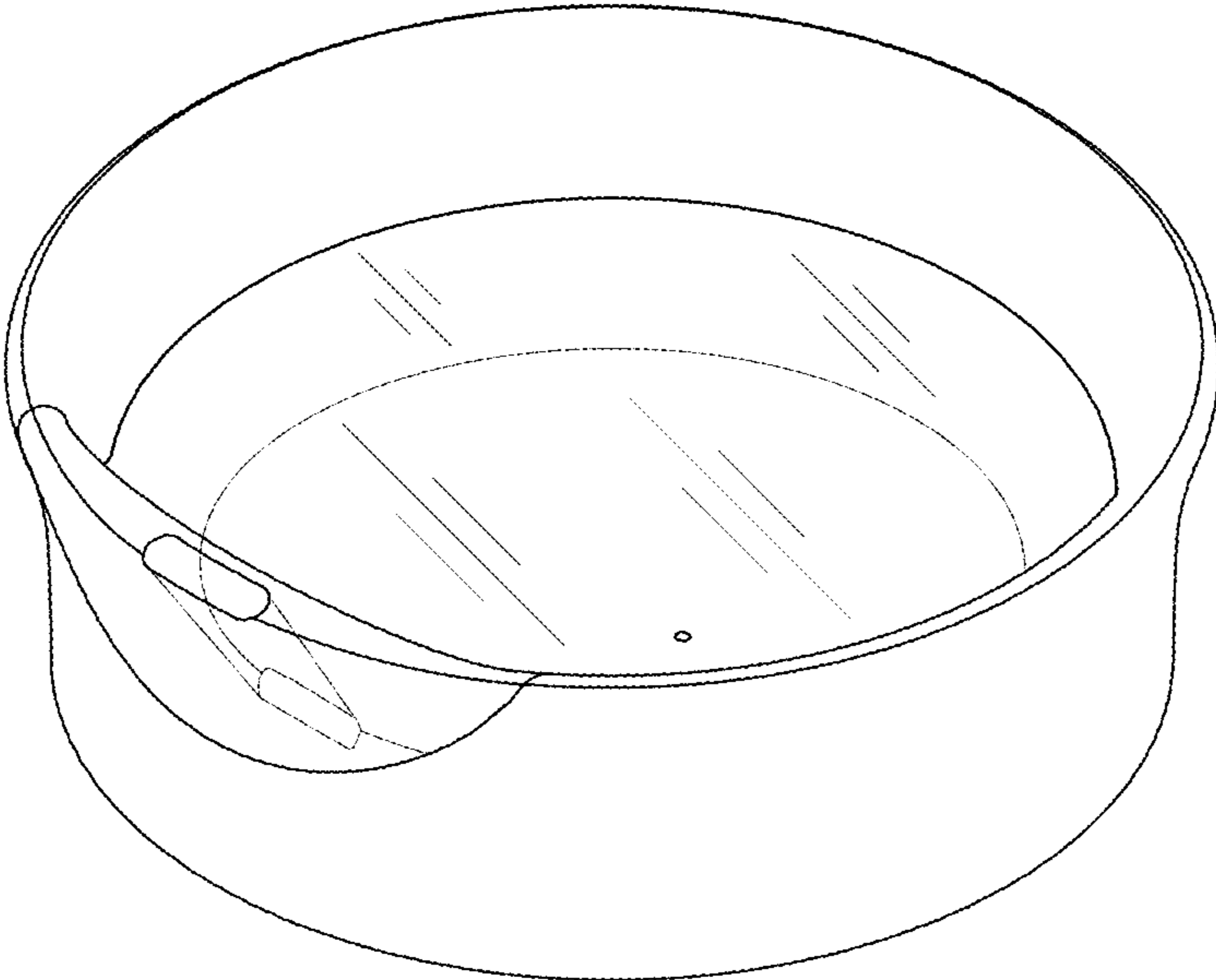


Fig. 1

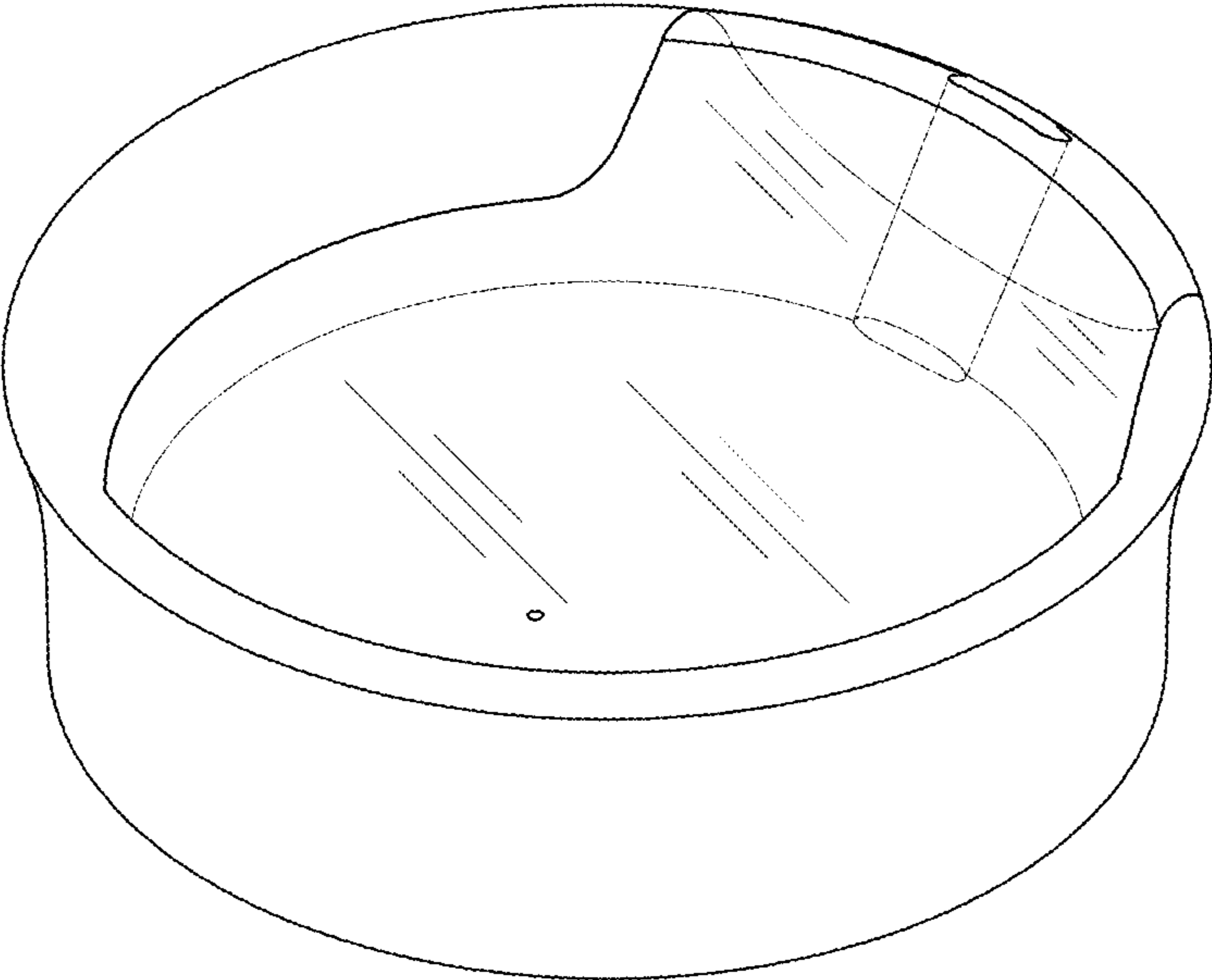


Fig. 2

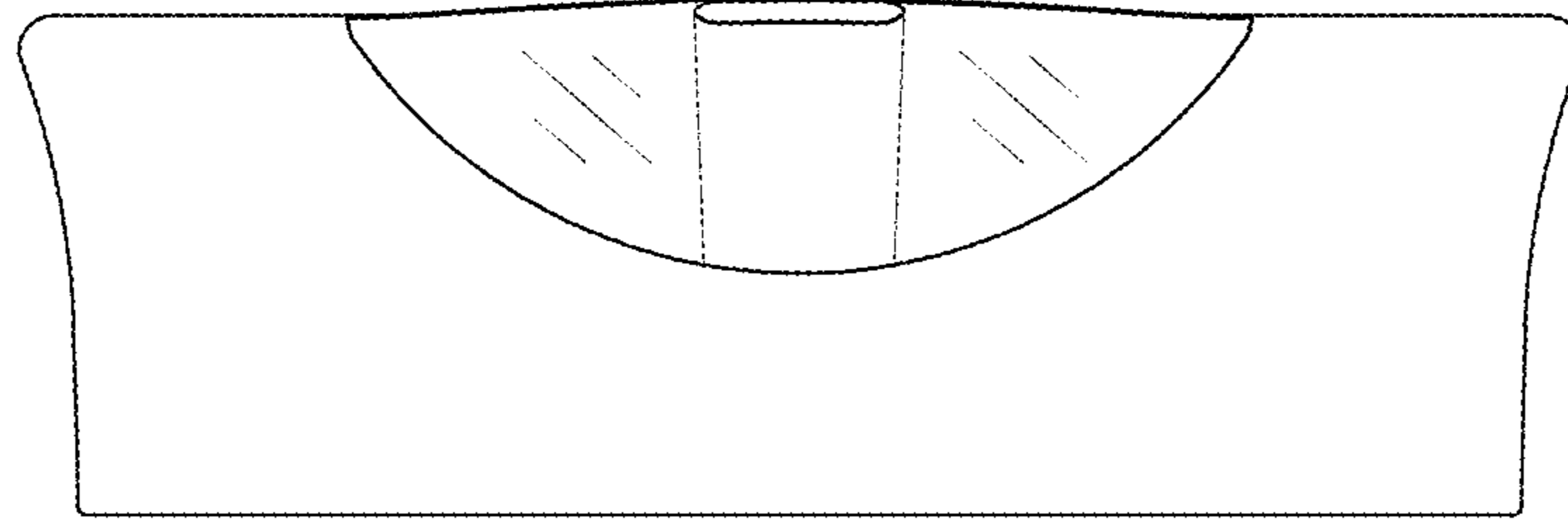


Fig. 3

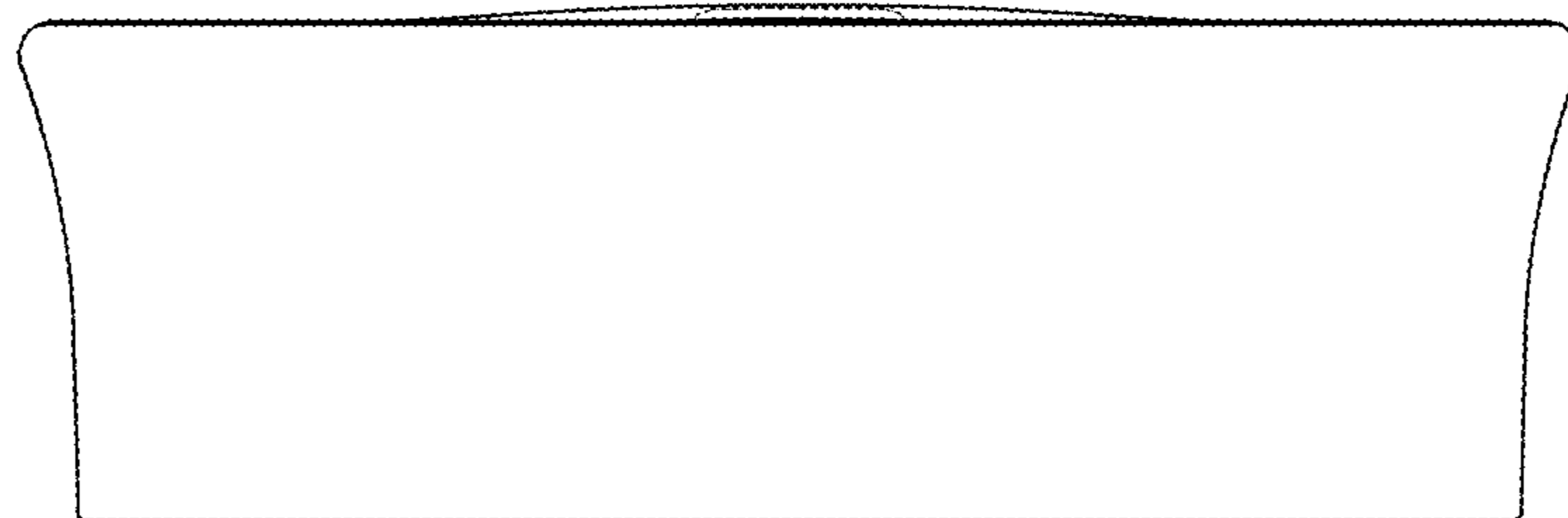


Fig. 4

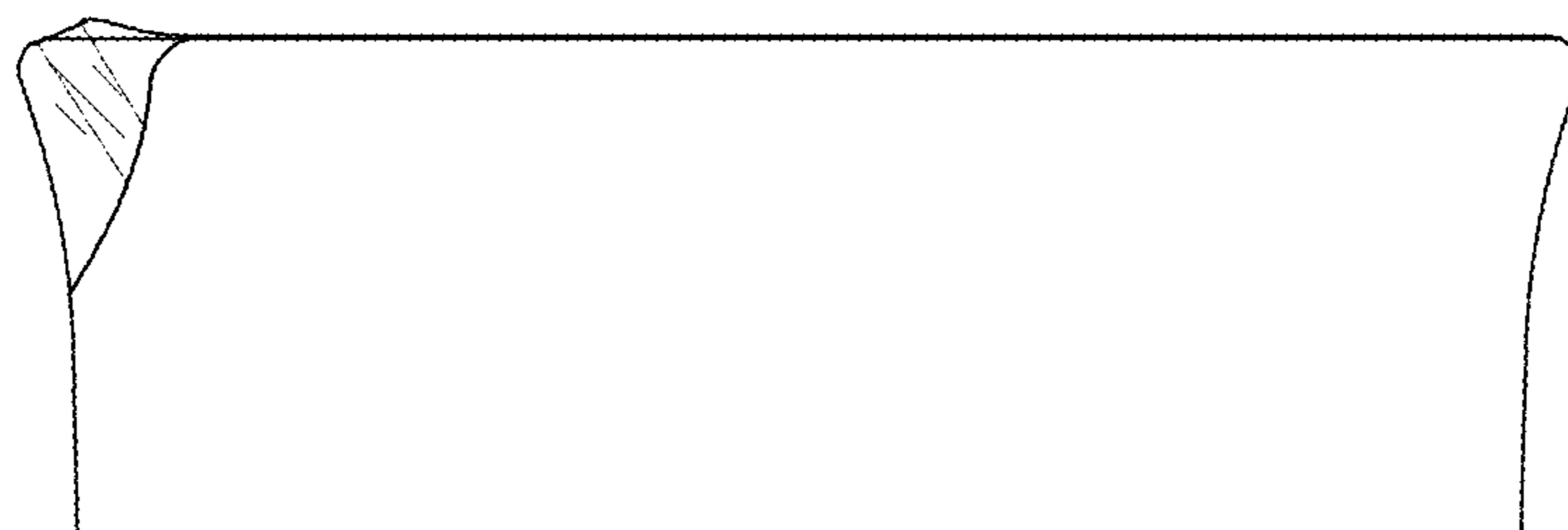


Fig. 5

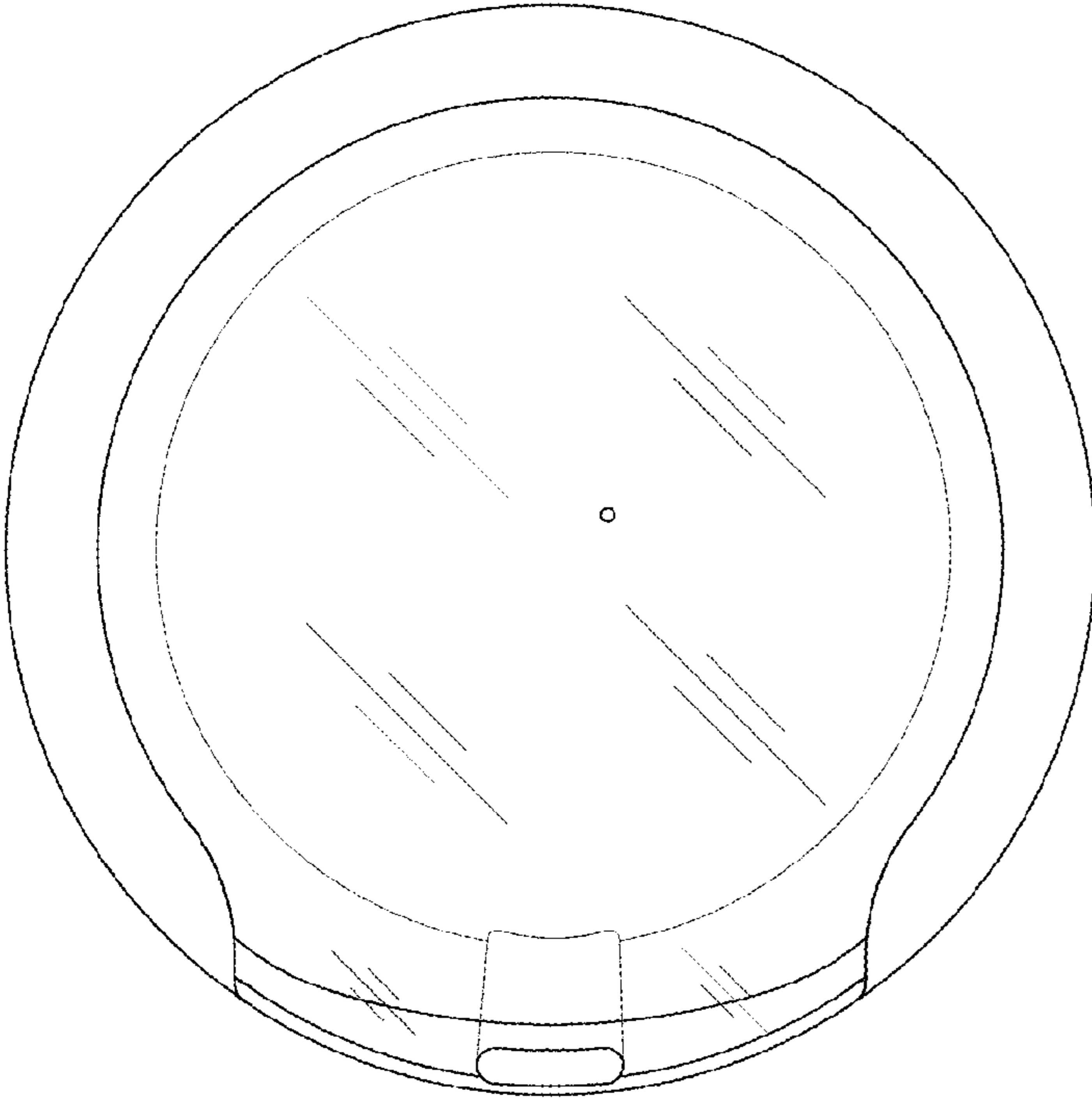


Fig. 6

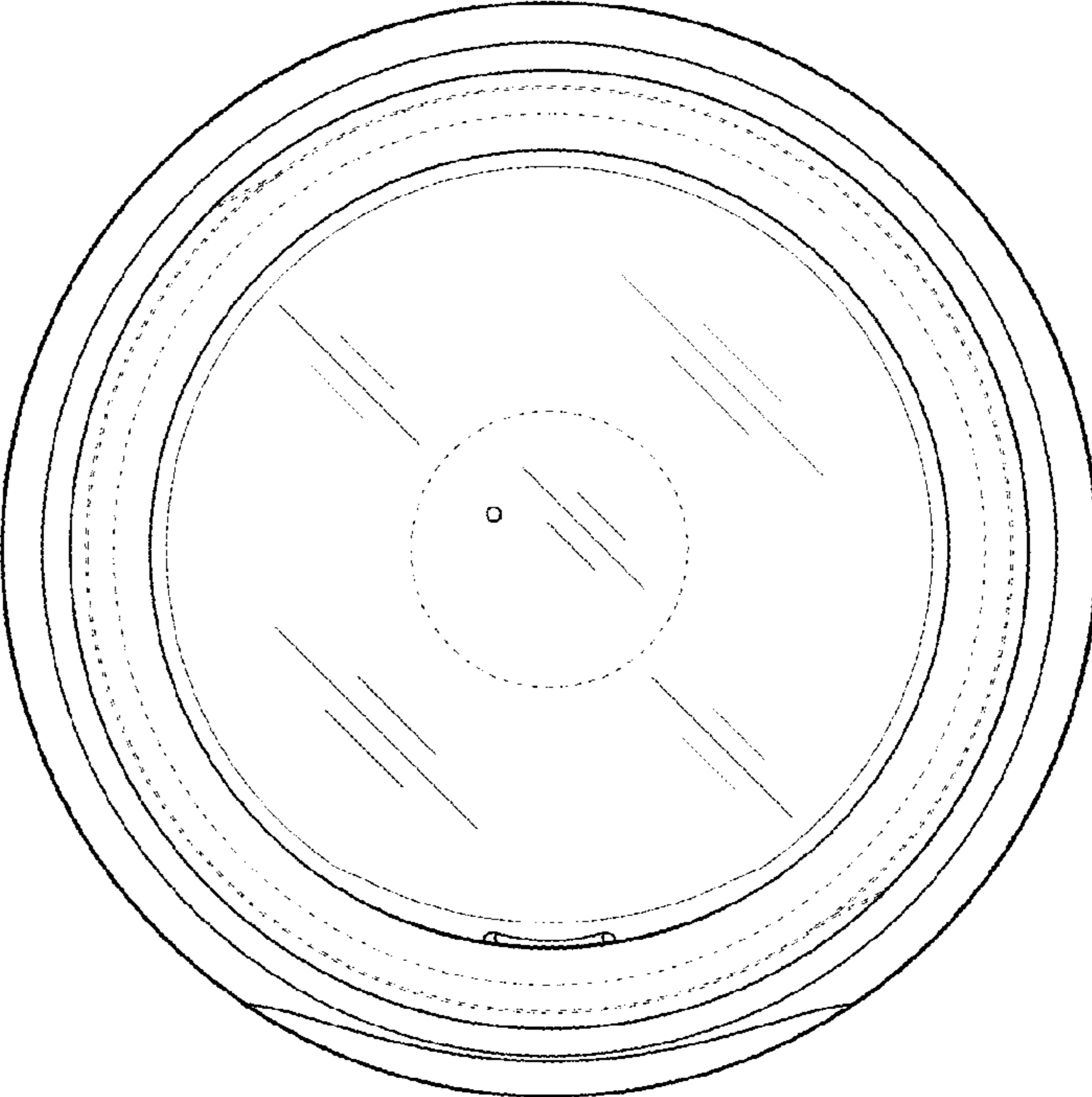


Fig. 7