



US00D880230S

(12) **United States Design Patent**
Jacobsen

(10) **Patent No.:** **US D880,230 S**
(45) **Date of Patent:** **** Apr. 7, 2020**

(54) **LID WITH SEMI-CIRCULAR HANDLE**

- (71) Applicant: **RTIC IP, LLC**, Houston, TX (US)
- (72) Inventor: **James Matthew Jacobsen**, Houston, TX (US)
- (73) Assignee: **RTIC IP, LLC**, Houston, TX (US)
- (**) Term: **15 Years**
- (21) Appl. No.: **29/631,003**
- (22) Filed: **Dec. 26, 2017**
- (51) **LOC (12) Cl.** **07-99**
- (52) **U.S. Cl.**
USPC **D7/396.2; D7/397**
- (58) **Field of Classification Search**
USPC D7/387, 393, 394, 392.1, 396.1, 396.2, D7/397, 509, 510, 511, 533, 536, 300.1, D7/591, 598; D9/434, 435, 439, 443, D9/454, 447, 449, 549
CPC B65D 43/00; B65D 43/02; B65D 43/142; B65D 47/08; B65D 41/04; B65D 39/00; B65D 41/56; A47J 43/27; A45F 3/16
See application file for complete search history.

(56) **References Cited**

U.S. PATENT DOCUMENTS

D628,486 S	12/2010	Lane	
D652,255 S	1/2012	Carland	
D662,360 S	6/2012	George	
D665,621 S *	8/2012	Eyal	D7/392.1
D668,913 S	10/2012	Mayer	
D672,609 S	12/2012	Aziz et al.	
D696,906 S	1/2014	Roth	
D724,385 S	3/2015	Hurley et al.	
D755,561 S *	5/2016	Eyal	D7/392.1
D760,586 S	7/2016	Seiders et al.	

(Continued)

OTHER PUBLICATIONS

US D774,840 S, 12/2016, Seiders et al. (withdrawn)
(Continued)

Primary Examiner — Derrick E Holland
Assistant Examiner — Andrew Kerr
(74) *Attorney, Agent, or Firm* — Fish & Richardson P.C.

(57) **CLAIM**

The ornamental design for a lid with semi-circular handle, substantially as shown and described.

DESCRIPTION

FIG. 1 is a perspective view of my design for a lid with semi-circular handle.

FIG. 2 is a perspective view of my design for the lid with a semi-circular handle.

FIG. 3 is a front view of the lid with a semi-circular handle.

FIG. 4 is a rear view of the lid with a semi-circular handle.

FIG. 5 is a right side view of the lid with a semi-circular handle.

FIG. 6 is a left side view of the lid with a semi-circular handle.

FIG. 7 is a top view looking downward on the lid with a semi-circular handle; and,

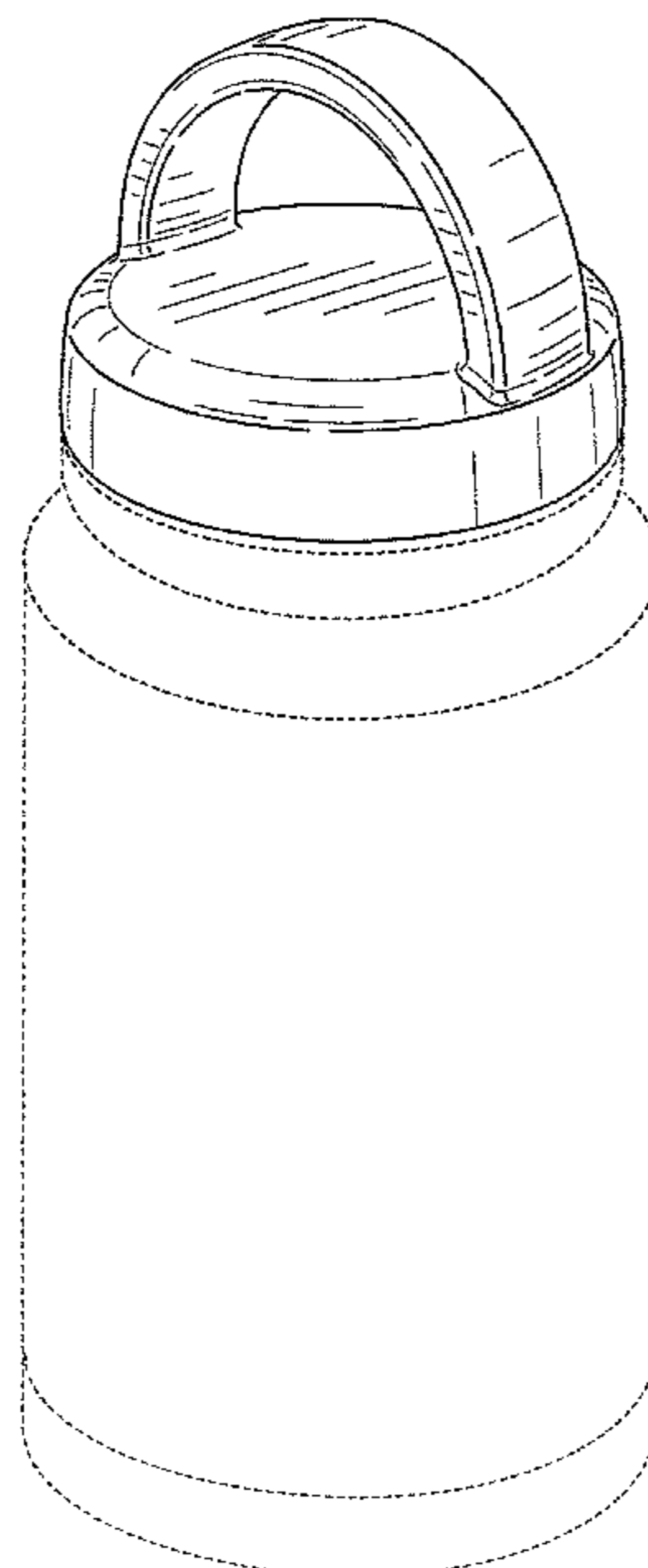
FIG. 8 is a bottom view of the lid with semi-circular handle.

The surface shading and contour lines shown in the drawings represent three-dimensional character and contour of the article and are not intended to illustrate material, surface ornamentation or surface decorations.

Stippling illustrates a seal that is disposed in a circumferential groove on a lower outer portion of the lid.

The broken lines showing portions of the lid with semi-circular handle are for the purpose of illustrating environmental structure and form no part of the claimed design.

1 Claim, 5 Drawing Sheets



(56)

References Cited

U.S. PATENT DOCUMENTS

D762,418 S 8/2016 Sorensen et al.
 D774,363 S 12/2016 Seiders et al.
 D774,837 S 12/2016 Seiders et al.
 D780,577 S 3/2017 Seiders et al.
 D781,145 S 3/2017 Seiders et al.
 D781,146 S 3/2017 Seiders et al.
 D781,662 S 3/2017 Seiders et al.
 D782,881 S 4/2017 Seiders et al.
 D783,367 S 4/2017 Seiders et al.
 D783,368 S 4/2017 Seiders et al.
 D784,775 S 4/2017 Seiders et al.
 D786,012 S 5/2017 Hein
 D788,544 S 6/2017 Seiders et al.
 D790,285 S 6/2017 Seiders et al.
 D790,920 S 7/2017 Goodwin et al.
 D792,215 S * 7/2017 Eyal D7/392.1
 D794,397 S 8/2017 Seiders et al.
 D795,008 S * 8/2017 Eyal D7/392.1
 D795,013 S 8/2017 Shultz et al.
 D795,019 S 8/2017 Seiders et al.
 D795,020 S 8/2017 Seiders et al.
 D799,898 S 10/2017 Yao
 D803,632 S 11/2017 Seiders et al.
 D804,254 S 12/2017 Seiders et al.
 D804,255 S 12/2017 Seiders et al.
 D804,256 S 12/2017 Seiders et al.
 D805,852 S 12/2017 Seiders et al.
 D806,468 S * 1/2018 Goodwin D7/392.1
 D807,125 S 1/2018 Seiders et al.
 D807,126 S 1/2018 Seiders et al.
 D809,344 S 2/2018 Guthrie
 D811,818 S 3/2018 Wu
 D812,428 S 3/2018 Wu
 D814,852 S * 4/2018 Melanson D7/391
 D814,928 S 4/2018 Seiders et al.
 D816,493 S * 5/2018 Seiders D9/443
 D819,396 S * 6/2018 Seiders D7/392.1
 D821,146 S 6/2018 Steinmann
 D823,061 S 7/2018 Murosky et al.
 D823,068 S * 7/2018 Seiders D7/608
 D823,646 S 7/2018 Seiders et al.
 10,017,301 B2 7/2018 Hein et al.
 D828,094 S 9/2018 Jackson et al.
 D831,433 S 10/2018 Fleischhut
 10,111,410 B2 10/2018 Glasser
 D837,589 S 1/2019 Dalton
 D837,598 S 1/2019 Silsby
 D839,673 S 2/2019 Meyers
 D839,675 S 2/2019 Beckman
 D839,738 S * 2/2019 Hudson D9/454
 D842,027 S * 3/2019 Boroski D7/392.1
 D843,212 S * 3/2019 Seiders D9/443
 D850,849 S * 6/2019 Ke D7/396.2
 D856,748 S * 8/2019 Rane D7/392.1
 D856,757 S * 8/2019 Seiders D7/608
 D857,446 S * 8/2019 Bell D7/392.1
 D860,715 S * 9/2019 Bohman D7/392
 D860,719 S * 9/2019 Eyal D7/392.1
 2016/0003615 A1 1/2016 Biswas
 2017/0119212 A1 5/2017 Petrillo et al.
 2018/0009576 A1 * 1/2018 Sullivan B65D 25/2894

OTHER PUBLICATIONS

US D775,903 S, 01/2017, Seiders et al. (withdrawn)
 RTIC Bottle | posted at Amazon.com, posted on Jun. 8, 2016, ©
 1996-2018 Amazon.com, [online], [site visited Dec. 19, 2018].
 Available from Internet, <URL:https://www.amazon.com/Rtic-
 Stainless-Steel-Bottle-36oz/dp/B01GS9MUHM/ref=sr_1_10?ie=
 UTF8&qid=1545171237&sr=8-10&keywords=rtic+tallboy/> (Year:
 2016).*

U.S. Appl. No. 29/622,225, filed Oct. 16, 2017, Jacobsen.
 U.S. Appl. No. 29/622,226, filed Oct. 16, 2017, Jacobsen.
 U.S. Appl. No. 29/622,229, filed Oct. 16, 2017, Jacobsen.

U.S. Appl. No. 29/622,232, filed Oct. 16, 2017, Jacobsen.
 U.S. Appl. No. 29/622,236, filed Oct. 16, 2017, Jacobsen.
 U.S. Appl. No. 29/622,240, filed Oct. 16, 2017, Jacobsen.
 U.S. Appl. No. 29/646,907, filed May 8, 2018, Jacobsen.
 U.S. Appl. No. 29/646,914, filed May 8, 2018, Jacobsen.
 U.S. Appl. No. 29/646,918, filed May 8, 2018, Jacobsen.
 U.S. Appl. No. 29/646,924, filed May 8, 2018, Jacobsen.
 U.S. Appl. No. 29/646,934, filed May 8, 2018, Jacobsen.
 U.S. Appl. No. 29/646,937, filed May 8, 2018, Jacobsen.
 U.S. Appl. No. 29/656,306, filed Jul. 11, 2018, Jacobsen.
 U.S. Appl. No. 29/656,315, filed Jul. 11, 2018, Jacobsen.
 U.S. Appl. No. 29/656,312, filed Jul. 11, 2018, Jacobsen.
 U.S. Appl. No. 29/656,316, filed Jul. 11, 2018, Jacobsen.
 U.S. Appl. No. 29/656,314, filed Jul. 11, 2018, Jacobsen.
 U.S. Appl. No. 29/656,322, filed Jul. 11, 2018, Jacobsen.
 ‘amazon.com’ [online]. “Lifefactory BPA-Free Classic Cap for
 12-Ounce, 16-Ounce, and 22-Ounce Glass Bottles, Carbon,” Pub-
 lished on or before Oct. 15, 2017, Retrieved from the Internet:
 URL<https://www.amazon.com/Lifefactory-BPA-Free-12-Ounce-
 16-Ounce-22-Ounce/dp/B004XFX24O/ref=sr_1_42?ie=UTF8&qid=
 1517369593&sr=8-42&keywords=replacement+bottle+screw+
 caps>. 10 pages.
 ‘amazon.com’ [online]. “qottle Vacuum Insulated Stainless Steel
 Water Bottle-Hydro Double Wall Leak Proof Flask—BPA Free Cap
 Thermal Bottle for Gym Hiking Camping Travel Office Outdoor
 Sports 3 sizes, 4 colors,” Published on or before Oct. 15, 2017,
 Retrieved from the Internet: URL<https://www.amazon.com/qottle-
 Vacuum-Insulated-Stainless-Bottle-Hydro/dp/B078B9TVXZ/ref=
 cm_cr_arp_d_product_top?ie=UTF8&th=1>. 7 pages.
 ‘hydroflash.com’ [online]. “Standard Mouth Flex Cap,” Published
 on or before Oct. 15, 2017, Retrieved from the Internet: URL<https://
 www.hydroflash.com/standard-mouth-flex-cap#92=19>. 9 pages.
 ‘mightynest.com’ [online]. “Glass Water Bottle Cap,” Published on
 or before Oct. 15, 2017, Retrieved from the Internet: URL<https://
 mightynest.com/shop/water-bottles/glass-water-bottles/glass-water-
 bottle-cap-10-colors>. 3 pages.
 ‘amazon.com’ [online]. “32 oz Stainless Steel Water Bottle, Fnova
 Flask Insulated Double Walled Vacuum Thermos, Wide Mouth
 bouns Protective Pouch/Carry Cover and Coffee Lid, BPA-Free,
 Cold 24 Hrs / Hot 12 Hrs.” Published on or before Oct. 15, 2017,
 Retrieved from the Internet: URL<https://www.amazon.com/dp/
 B015388COY>. 10 pages.
 ‘amazon.com’ [online]. “bkr—Best Original Glass Water Bottle—
 Premium Quality—Soft Silicone Protective Sleeve—BPA Free—
 Dishwasher Safe,” Published on or before Oct. 15, 2017, Retrieved
 from the Internet: URL<https://www.amazon.com/bkr-Original-
 Silicone-Protective-Dishwasher/dp/B01L6QFY8E/ref=sr_1_290_
 sspa?ie=UTF8&qid=1517367744&sr=8-290-spons&keywords=
 water+bottle+with+twist+cap&psc=1>. 8 pages.
 ‘amazon.com’ [online]. “MIRA Stainless Steel Vacuum Insulated
 Water Bottle | Thermos Flask Keeps Cold for 24 hours & Hot for
 12 hoursDoesn’t Sweat | Powder Coated Sports Bottle | 2 Lids,”
 Published on or before Oct. 15, 2017, Retrieved from the Internet:
 URL<https://www.amazon.com/MIRA-Stainless-Vacuum-Insulated-
 Thermos/dp/B078JV7MLF/ref=cm_cr_arp_d_product_top?ie=
 UTF8>. 9 pages.
 ‘amazon.com’ [online]. “qottle Vacuum Insulated Stainless Steel
 Water Bottle-Hydro Double Wall Leak Proof Flask—BPA Free Cap
 Thermal Bottle for Gym Hiking Camping Travel Office Outdoor
 Sports 3 sizes, 4 colors,” Published on or before Oct. 15, 2017,
 Retrieved from the Internet: URL<https://www.amazon.com/qottle-
 Vacuum-Insulated-Stainless-Bottle-Hydro/dp/B078S72WQ2/ref=
 cm_cr_arp_d_product_top?ie=UTF8>. 7 pages.
 ‘amazon.com’ [online]. “Savvy Infusion Water Bottle—24 or 32
 Ounce—Featuring Unique Leak-Proof Silicone Sealed Cap w/
 Handle—Includes Bonus Recipe Ebook,” Published on or before
 Oct. 15, 2017, Retrieved from the Internet: URL<https://www.
 amazon.com/Savvy-Infusion-Water-Bottle-Leak-Proof/dp/B01923FJ3S/
 ref=sr_1_166?ie=UTF8&qid=1517366958&sr=8-166&keywords=
 water+bottle+with+cap>. 11 pages.
 ‘amazon.com’ [online]. “Simple Modern 20 Ounce Ascent Water
 Bottle—Vacuum Insulated Narrow Mouth Leak Proof Cupholder
 Friendly 18/8 Stainless Steel Powder Coated—5 Sizes, 22 Colors,”

(56)

References Cited

OTHER PUBLICATIONS

Published on or before Oct. 15, 2017, Retrieved from the Internet: URL<https://www.amazon.com/Simple-Modern-Ounce-Ascent-Bottle/dp/B01MSN3ZHH/ref=sr_1_19_sspa?ie=UTF8&qid=1517366780&sr=8-19-spons&keywords=water+bottle+with+cap&psc=1>. 9 pages.

'amazon.com' [online]. "The Coldest Water Bottle Growler 64 oz Vacuum Insulated Growler and Wide Mouth Water Bottle—Cold up to 36 Hrs / Hot 13 Hrs Double Walled Flask—With Strong Cap," Published on or before Oct. 15, 2017, Retrieved from the Internet: URL<https://www.amazon.com/Coldest-Water-Bottle-Growler-Insulated/dp/B01LYH6XWY/ref=cm_cr_arp_d_product_top?ie=UTF8>. 9 pages.

'hydroflask.com' [online]. "32 oz Wide Mouth" Published on or before Oct. 15, 2017, Retrieved from the Internet: URL<<https://www.hydroflask.com/32-oz-wide-bottle#92=54>>. 15 pages.

'target.com' [online]. "Cheeky® 32oz Insulated Stainless Steel Water Bottle—White with Black Speckles," Published on or before Oct. 15, 2017, Retrieved from the Internet: URL<<https://www.target.com/p/cheeky-174-32oz-insulated-stainless-steel-water-bottle-white-with-black-speckles/-/A-52379202#lnk=newtab>>. 4 pages.

'target.com' [online]. "Klean Kanteen Insulated Wide Stainless Steel Bottle—20oz," Published on or before Oct. 15, 2017, Retrieved from the Internet: URL<<https://www.target.com/p/klean-kanteen-insulated-wide-stainless-steel-bottle-20oz/-/A-51313251#lnk=newtab>>. 5 pages.

'target.com' [online]. "MyBevi Campus 18oz Vacuum Insulated Stainless Steel Water Bottle," Published on or before Oct. 15, 2017, Retrieved from the Internet: URL<<https://www.target.com/p/mybevi-campus-18oz-vacuum-insulated-stainless-steel-water-bottle/-/A-52450292#lnk=newtab>>. 4 pages.

'walmart.com' [online]. "Ozark Trail Double Wall Stainless Steel Water Bottle—36oz," Published on or before Oct. 15, 2017, Retrieved

from the Internet: URL<<https://www.walmart.com/ip/Ozark-Trail-Double-Wall-Stainless-Steel-Water-Bottle-36oz/549118450?wmlspartner=wlp&selectedSellerId=0&adid=22222222227085432601&wmlspartner=wmtlabs&wl0=&wl1=g&wl2=c&wl3=199504733263&wl4=pla-323484950805&wl5=9031353&wl6=&wl7=&wl8=&wl9=pla&wl10=8175035&wl11=online&wl12=549118450&wl13=&veh=sem>>. 6 pages.

18 oz bottle, RTIC IP, LLC, first disclosed on Apr. 1, 2016, 7 pages.

36 oz bottle, RTIC IP, LLC, first disclosed on Apr. 1, 2016, 5 pages.

64 oz bottle, RTIC IP, LLC, first disclosed on Apr. 1, 2016, 7 pages.

'yeti.com' [online]. "Rambler 18oz Bottle," Published on or before Oct. 15, 2017, Retrieved from the Internet: URL<<https://www.yeti.com/drinkware/rambler-18-oz-bottle/YRAM18.html>> 7 pages.

'yeti.com' [online]. "Rambler 26oz Bottle," Published on or before Oct. 15, 2017, Retrieved from the Internet: URL<<https://www.yeti.com/drinkware/rambler-26-oz-bottle/YRAM26.html>> 7 pages.

'yeti.com' [online]. "Rambler 36oz Bottle," Published on or before Oct. 15, 2017, Retrieved from the Internet: URL<<https://www.yeti.com/drinkware/rambler-36-oz-bottle/YRAM36.html>> 7 pages.

RTIC Bottle 36OZ | posted at Amazon.com, posted on Jun. 8, 2016, © 1996-2018 Amazon.com, [online], [site visited Dec. 19, 2018].

Available from Internet, <URL:https://www.amazon.com/Rtic-Stainless-Steel-Bottle-36oz/dp/B01GS9MUHM/ref=sr_1_10?ie=UTF8&qid=1545171237&sr=8-10&keywords=rtic+tallboy> (Year: 2016).

RTIC Bottle 64OZ | posted at Amazon.com, posted on Jun. 8, 2016, © 1996-2018 Amazon.com, [online], [site visited Dec. 19, 2018].

Available from Internet, <URL:<https://www.amazon.com/Rtic-Stainless-Steel-Bottle-64oz/dp/B01GS9MUFYI>> (Year: 2016).

26oz Water Bottle | posted at Amazon.com, posted on May 25, 2018, © 1996-2018 Amazon .conn, [online], [site visited Mar. 14, 2019]. Available from Internet, <URL: <https://www.amazon.com/RTIC-Insulated-Stainless-Standard-Charcoal/dp/B07D9X72F5>> (Year: 2018).

* cited by examiner

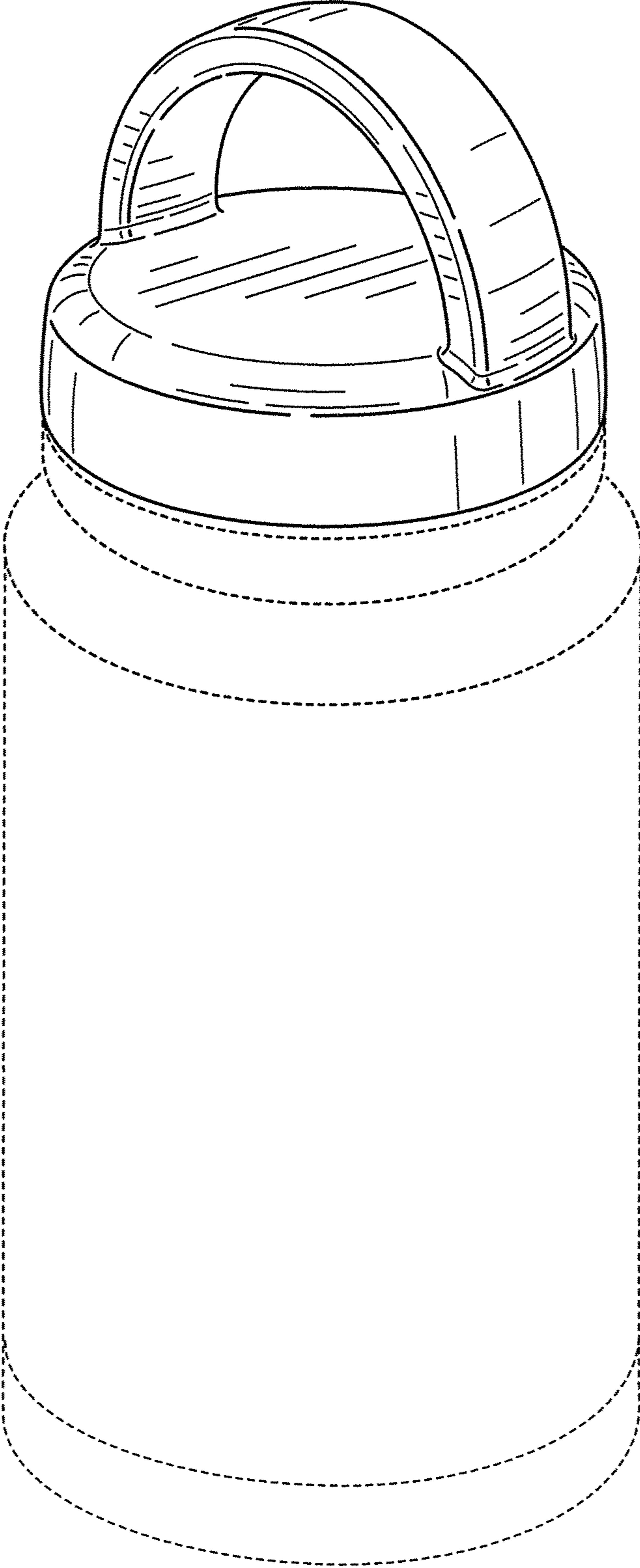


FIG. 1

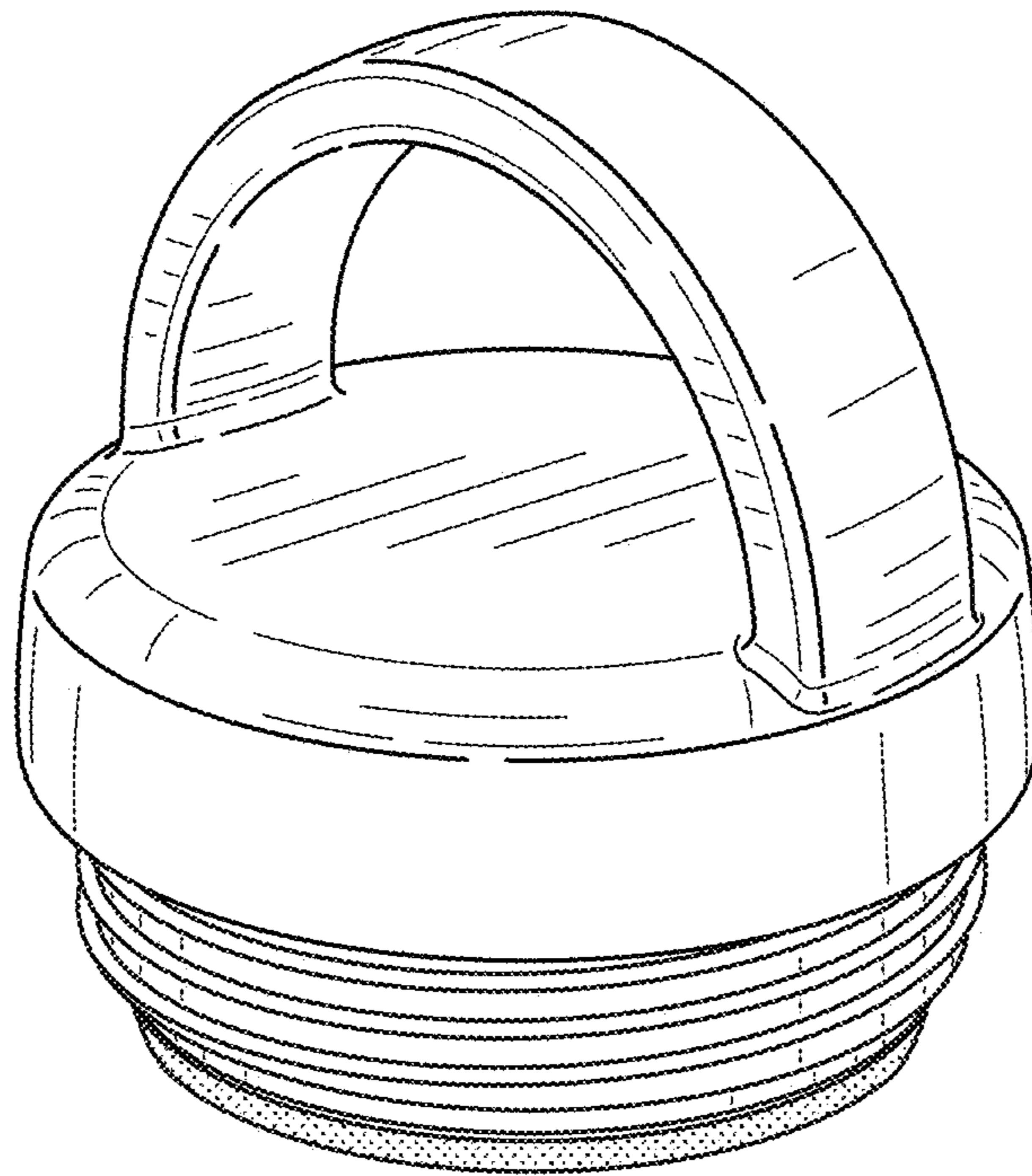


FIG. 2

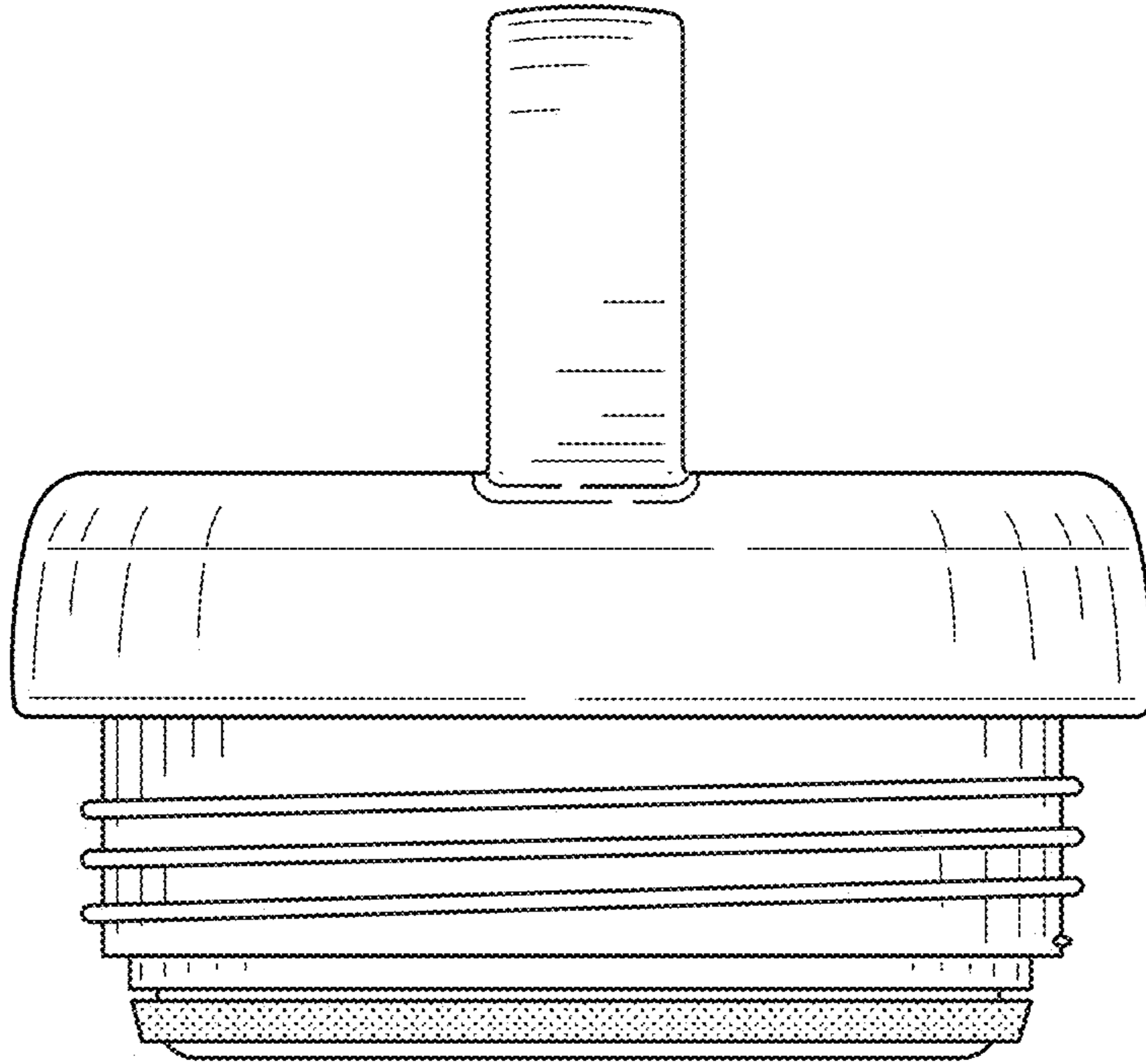


FIG. 3

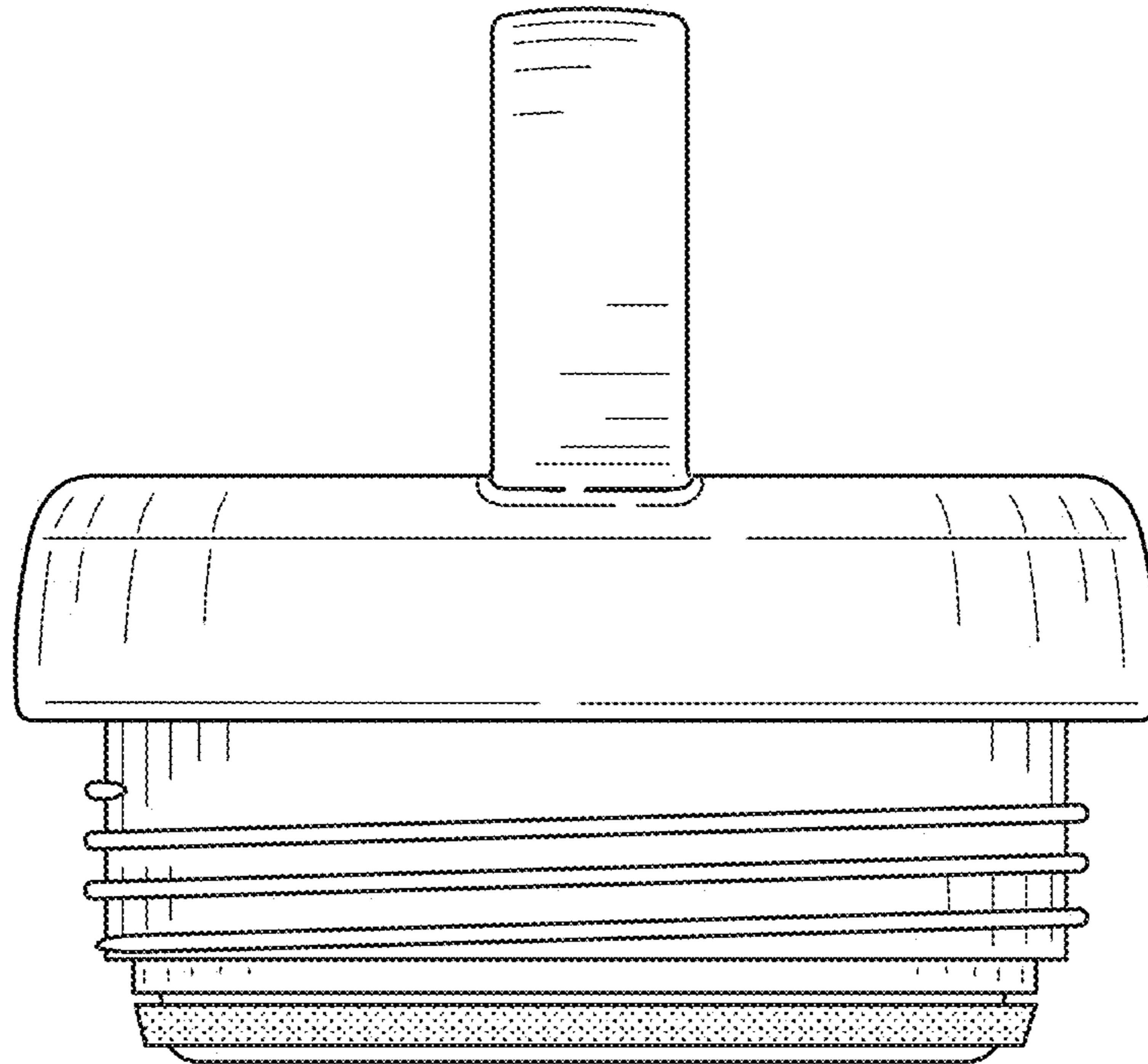


FIG. 4

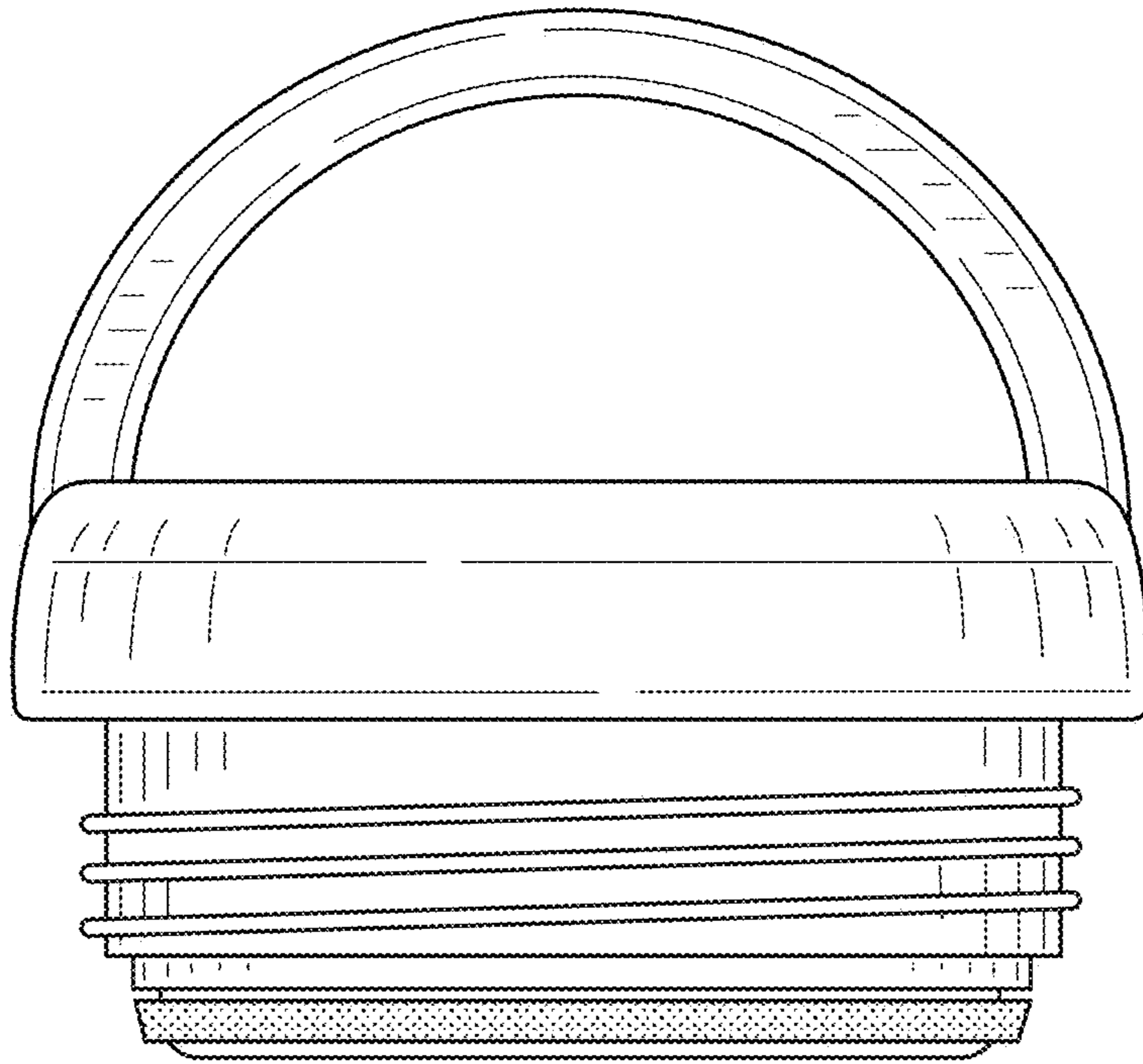


FIG. 5

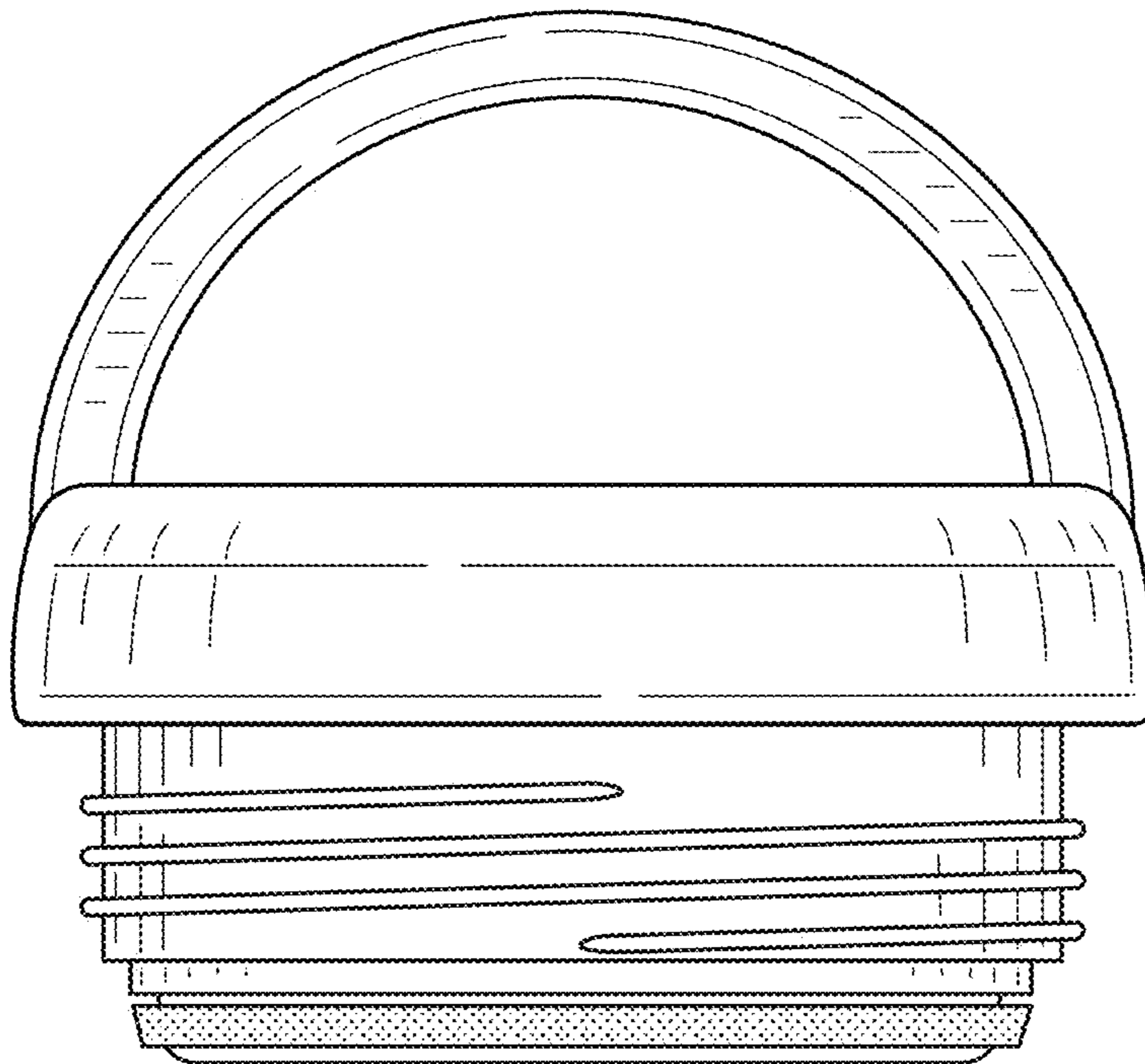


FIG. 6

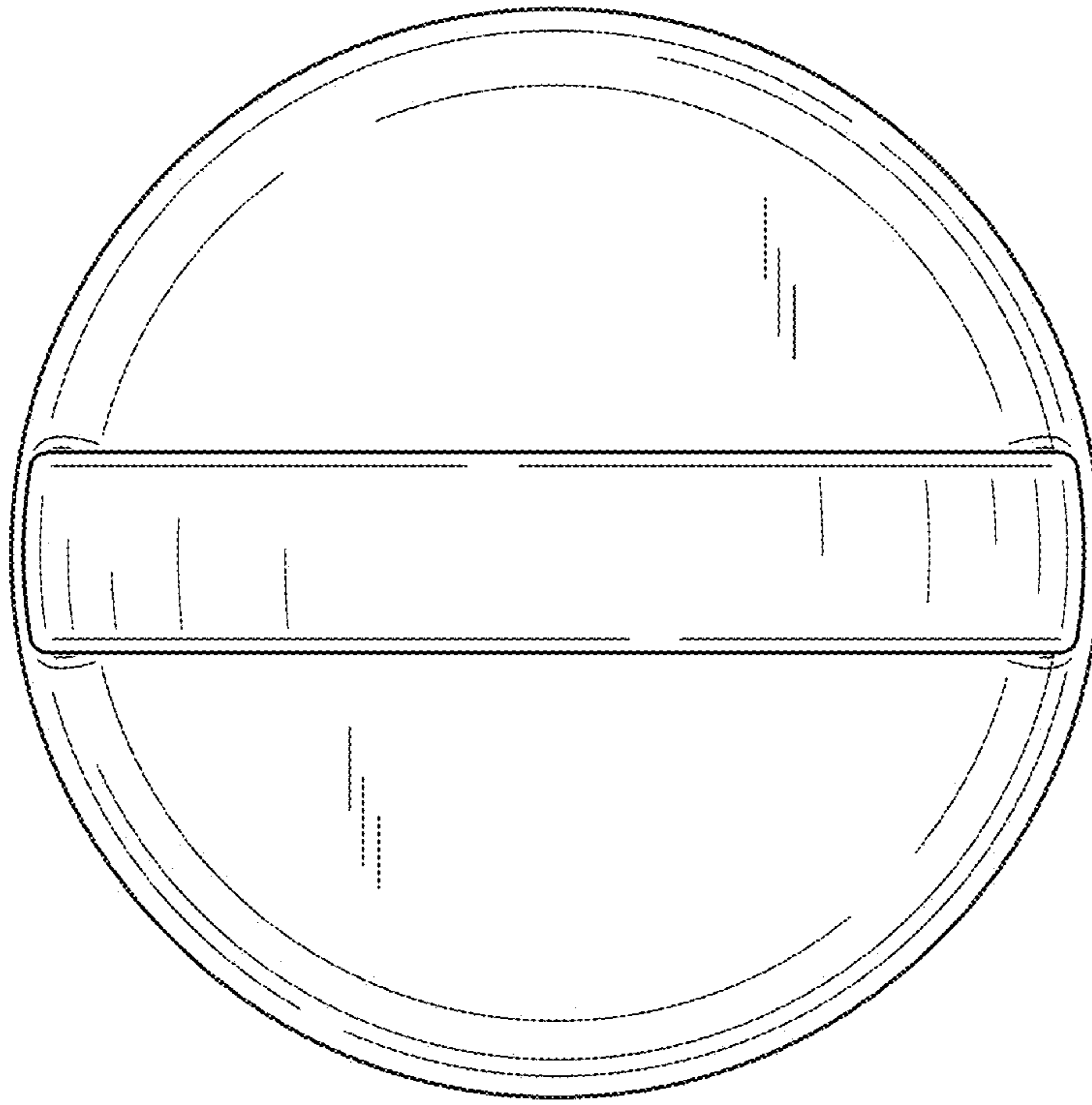


FIG. 7

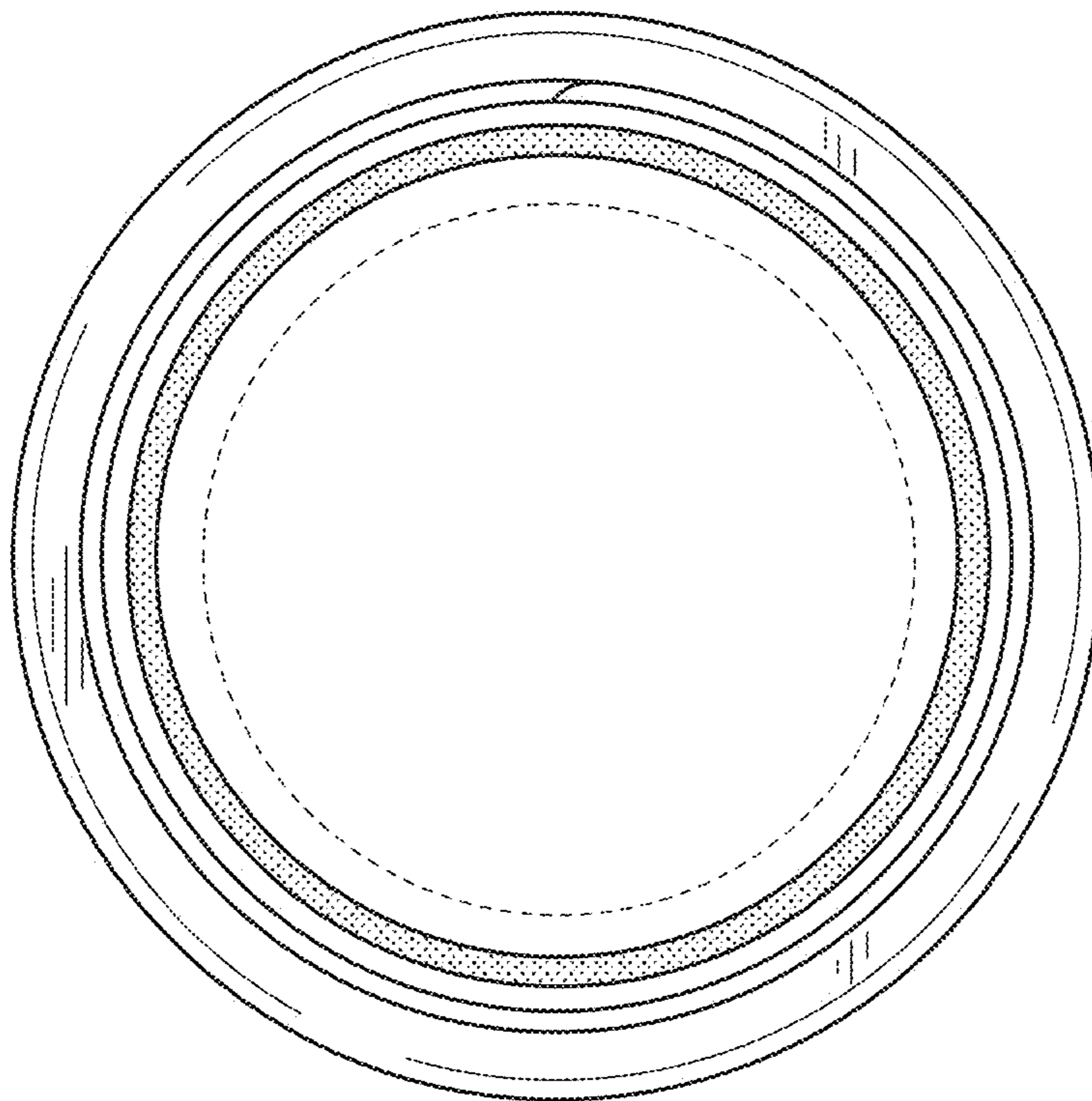


FIG. 8